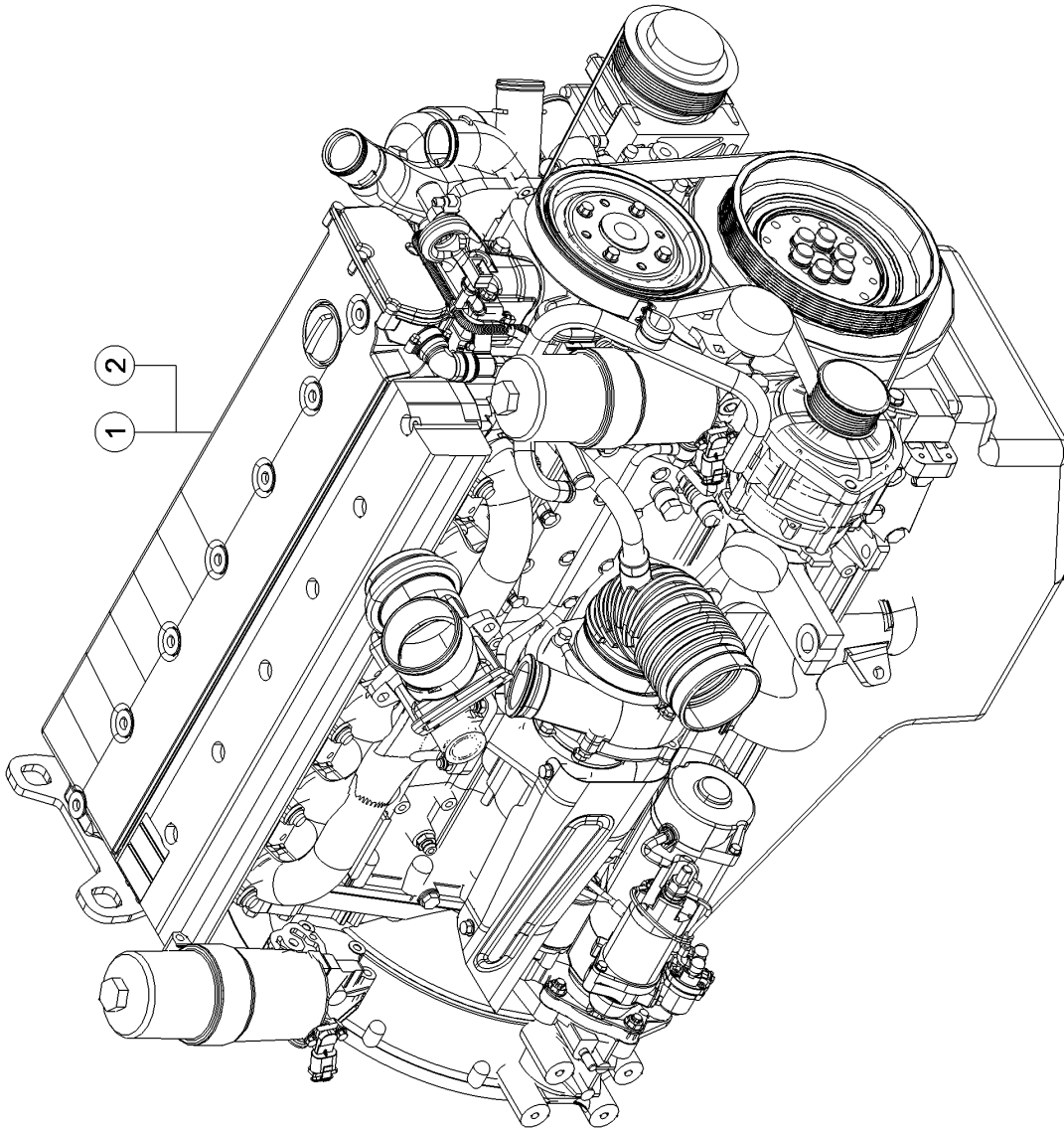


990

24190z00
MEGA 360



CLAAS

149054

010 COMPLETE ENGINE

Pos.	Part No.	Description	Dimension	Quantity	Conditions
1	00 0796 885 0	ENGINE	OM 906 LA 170KW	1	1)
1	00 0798 491 1	ENGINE	OM906LA-170KW-TI ER3	1	2)
1	00 0796 906 0	ENGINE	OM 906 LA 170KW	1	1)
2	00 1993 176 0	ENGINE	REMAN OM 906 LA 170KW	1	3)
2	00 1993 178 0	ENGINE	REMAN OM 906 LA 170KW TI	1	4)
2	00 1993 176 0	ENGINE	REMAN OM 906 LA 170KW	1	3)

1) Equipment

MD_P02_0337

Mercedes OM906LA 170KW(EWG)/ 162KW(ECE)

2) Equipment

MD_P02_0363

OM906T3 EWG170kW/ECE162kW

3) Equipment**Remarks**

MD_P02_0337

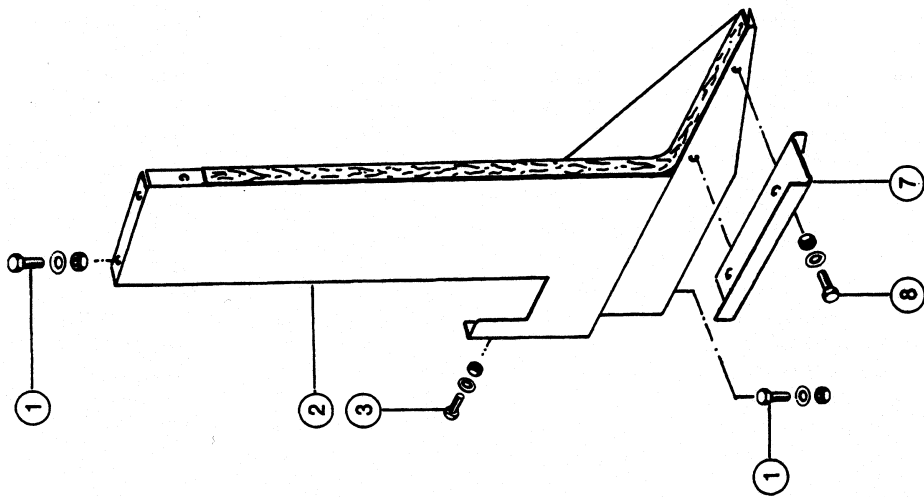
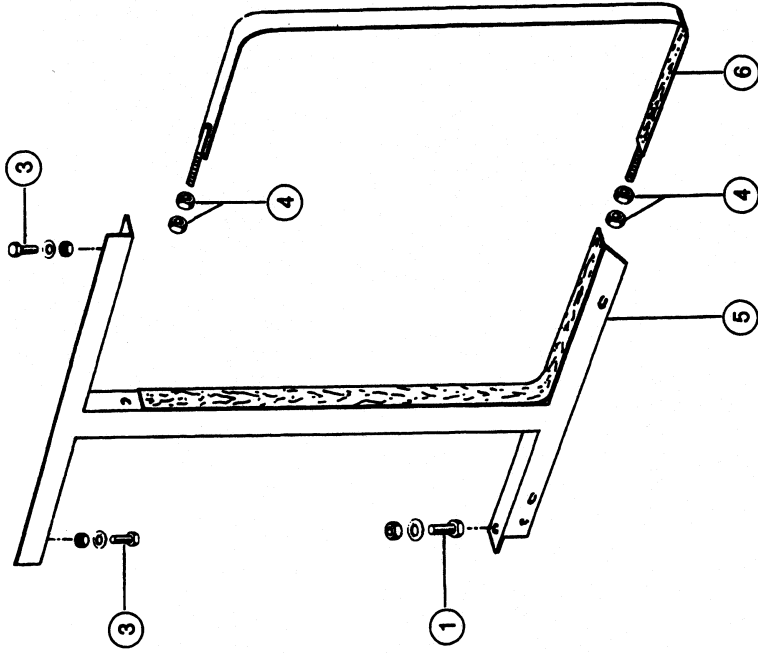
Mercedes OM906LA 170KW(EWG)/ 162KW(ECE)
Exchange / Reman**4) Equipment****Remarks**

MD_P02_0363

OM906T3 EWG170kW/ECE162kW
Exchange / Reman

251

09613z00
MEGA 350



CLAAS

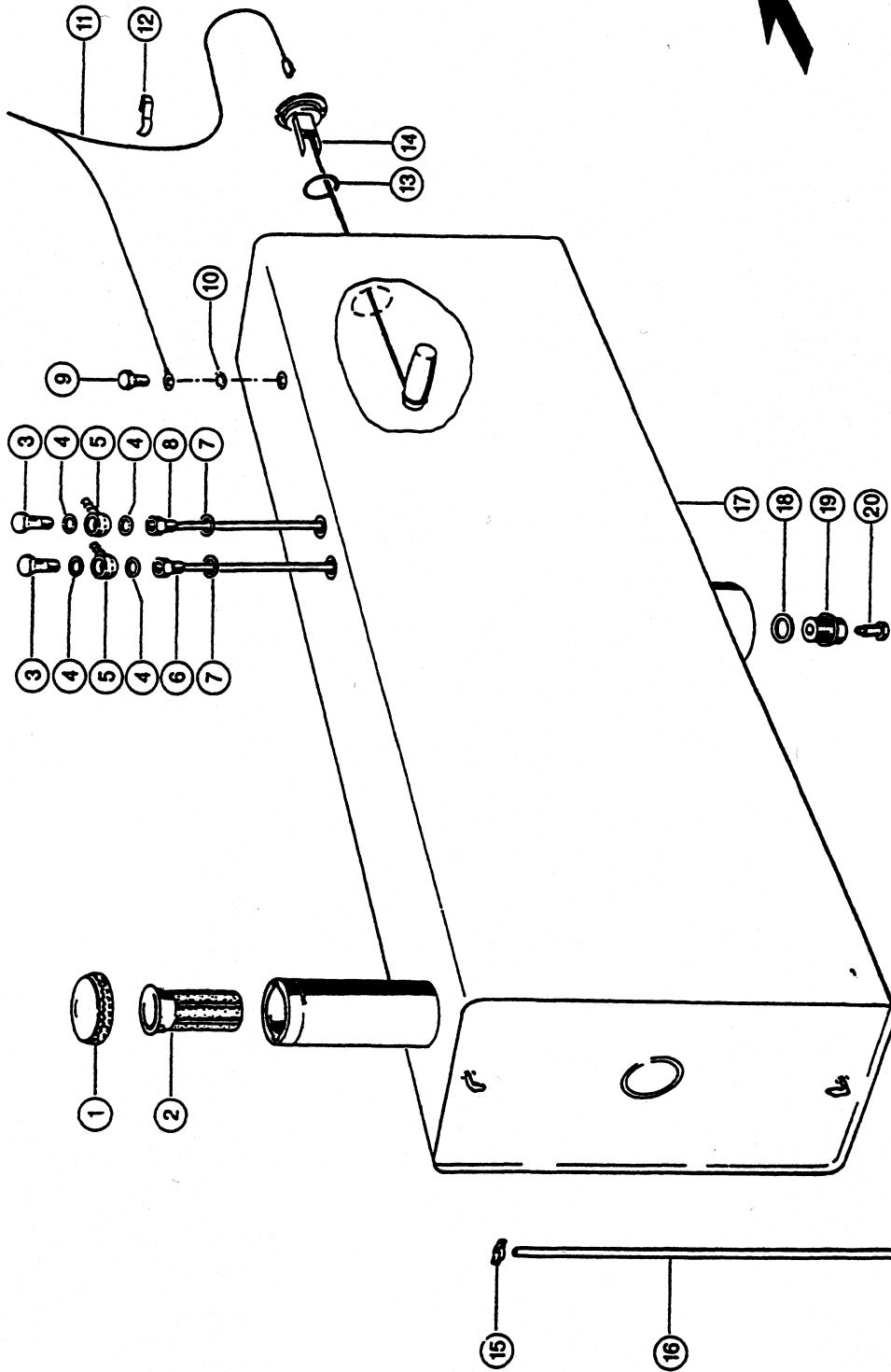
133144

BRACKET FOR FUEL TANK

Pos.	Part No.	Description	Dimension	Quantity	Conditions
1	00 0237 383 0	HEXAGON HEAD BOLT	M10X25	6	
1	00 0236 171 0	HEXAGONAL NUT	M10	6	
1	00 0239 388 0	CONTACT WASHER	A10-10,2X22,25X1,6	6	
2	00 0639 801 0	SUPPORT-GLUED		1	
3	00 0237 442 0	HEXAGON HEAD BOLT	M8X25	6	
3	00 0236 170 0	HEXAGONAL NUT	M8	6	
3	00 0239 387 0	CONTACT WASHER	A8-8,2X18X1,4	6	
4	00 0237 947 0	HEX. NUT WITH CLAMP. PART	M10	8	
5	00 0693 175 0	SUPPORT-GLUED		1	
6	00 0693 171 0	BANDAGE		2	
7	00 0662 127 0	TANK SUPPORT	4X90X180	1	
8	00 0237 442 0	HEXAGON HEAD BOLT	M8X25	2	
8	00 0236 170 0	HEXAGONAL NUT	M8	2	
8	00 0239 387 0	CONTACT WASHER	A8-8,2X18X1,4	2	

381

09360z00
MEGA 350



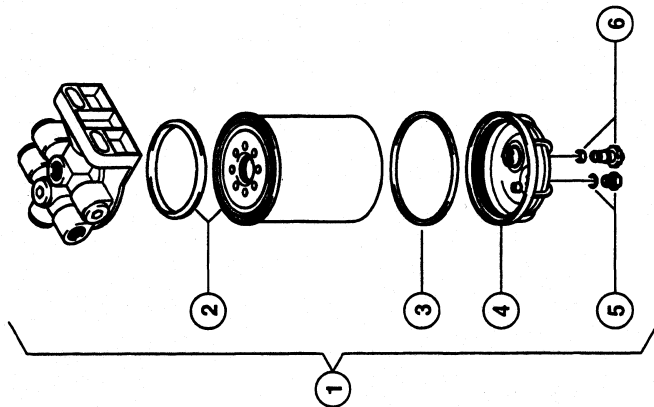
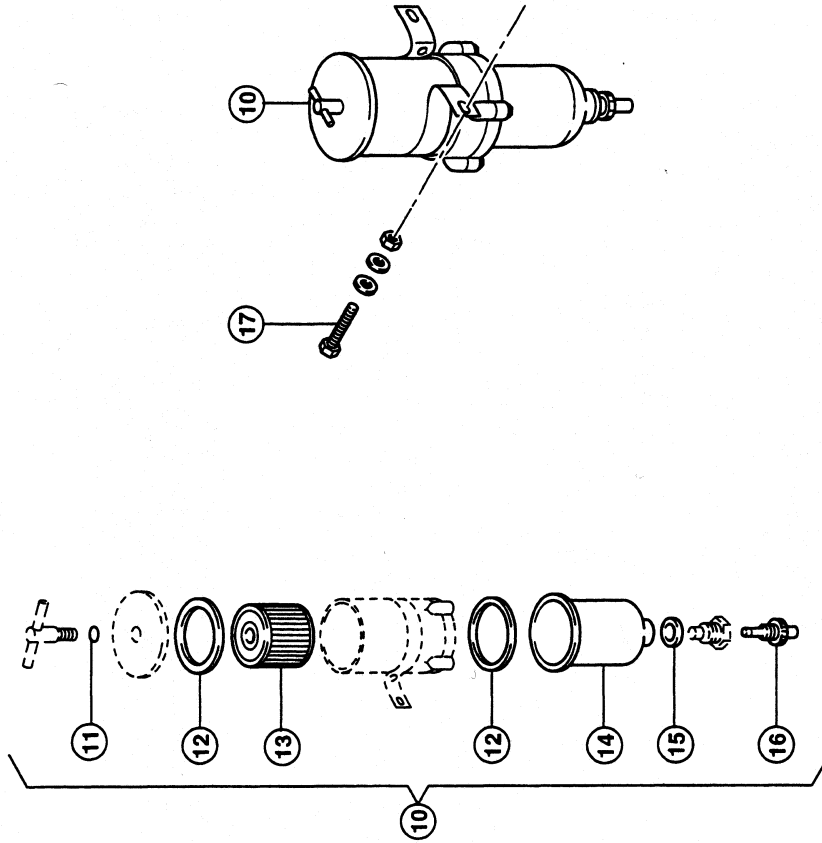
CLAAS

FUEL TANK

Pos.	Part No.	Description	Dimension	Quantity	Conditions
1	00 0624 003 1	CAP	DV 80 GL	1	
1	00 0177 621 0	CAP	D80 BELUEFTET, ABSCHLIES	1	1)
1	00 0177 622 0	SPARE KEY	C5	1	2)
2	00 0659 565 2	TANK SIEVE INCLUDED WITH TANK		1	
3	00 0096 030 0	HOLLOW SCREW	12 - M16X1,5 (12-3 ZULÄS	2	
4	00 0235 786 0	SEALING RING	A16 X22	4	
5	00 0215 562 0	CONNECTION	R16-10	2	
6	00 0545 951 0	TUBE	GELOETET	1	
7	00 0633 032 1	SEALING RING	D22X27X1,5	2	
8	00 0545 951 0	TUBE	GELOETET	1	
9	00 0237 046 0	SCREW PLUG	M10X1	1	
10	00 0236 688 0	SEALING RING	A10X16X1	1	
11	00 0012 827 1	MAIN WIRING LOOM	TYP 835/845	1	
12	00 0755 629 0	CHASSIS-CLIP		1	
13	00 0672 996 0	GASKET		1	
14	00 0681 855 0	LEVEL INDICATOR		2	
15	00 0094 059 0	2-EAR CLAMP	9-11	2	
16	00 0200 673 0	PVC-HOSE	A 5X 9	1	
17	00 0609 617 3	FUEL TANK	400 LTR	1	
18	00 0238 407 2	SEALING RING	C33 X39	1	
19	00 0687 607 0	DRAIN SCREW	M33X2	1	
20	00 0687 625 1	HEXAGON HEAD BOLT	M8X17 F. TANK WASSERABLA	1	
1)	Remarks		optional		
2)	Remarks		SONDERWUNSCH		

382

09361z01
MEGA 350



CLAAS

133239

FUEL FILTER ASSEMBLIES 1)

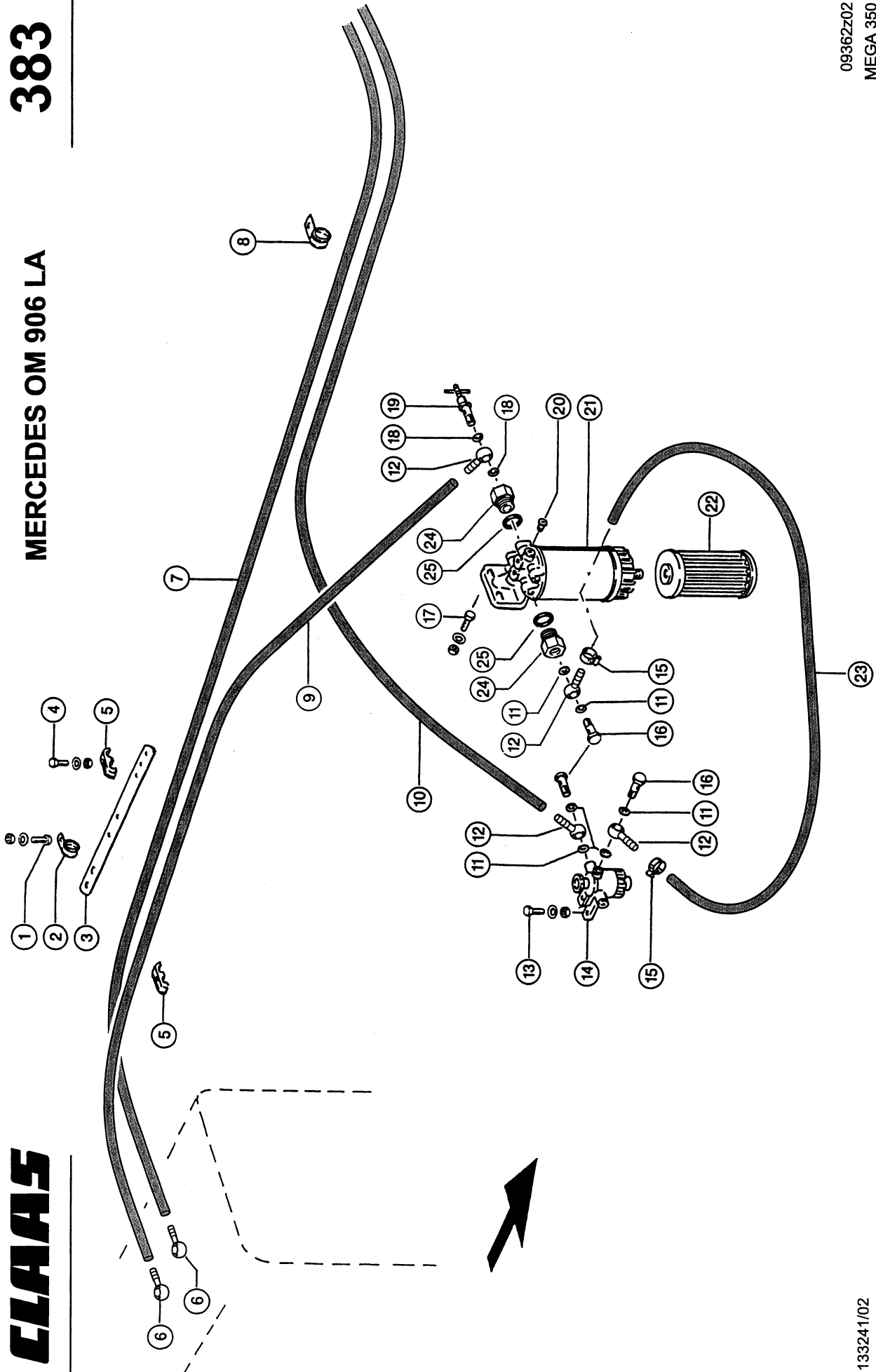
Pos.	Part No.	Description	Dimension	Quantity	Conditions
1	00 0068 666 0	FUEL FILTER		1	2)
2	00 0068 711 0	FILTER ELEMENT		1	3)
3	00 0796 789 0	SEALING RING		1	
4	00 0796 788 0	WATER CONTAINER		1	4)
5	00 0796 791 0	SCREW PLUG		1	3)
6	00 0796 790 0	PLUG		1	3)
10	00 0068 664 1	SEPARATOR		1	5)
11	00 0211 091 2	O-RING	12 X 2 NBR 80	1	
12	00 0072 995 0	HOUSING GASKET		2	
13	00 0068 712 1	FUEL FILTER		1	6)
14	00 0072 996 1	WATER CONTAINER		1	
15	00 0723 694 1	GASKET	RACOR 500/900 FG	1	
16	00 0723 693 0	DRAIN SCREW		1	
17	00 0237 442 0	HEXAGON HEAD BOLT	M8X25	2	
17	00 0236 170 0	HEXAGONAL NUT	M8	2	
17	00 0239 393 1	CONTACT WASHER	B 8 -8.2X22X1,9	4	

1) Remarks	Position 1 - 6 = P 06/10 Position 10 - 17 = P 06/30
2) Remarks	Racor 690 R 30 see illustration plate 383
3) Remarks	with sealing ring
4) Remarks	with Item 3, 5, 6
5) Remarks	Racor 902 Fh 30
6) Remarks	only Racor 902 Fh 30

CLAAS

MERCEDES OM 906 LA

383



09362Z02
MEGA 350

133241/02

MERCEDES OM 906 LA; FUEL SYSTEM

Pos.	Part No.	Description	Dimension	Quantity	Conditions
1	00 0236 200 0	HEXAGON HEAD BOLT	M8X20	1	
1	00 0236 170 0	HEXAGONAL NUT	M8	1	
1	00 0239 387 0	CONTACT WASHER	A8-8,2X18X1,4	1	
2	00 0216 341 0	HOLDER CLAMP	D1-12X20	1	
3	00 0689 817 0	SUPPORTING BRACK.	25X5X297	1	
4	00 0235 505 0	HEXAGON HEAD BOLT	M06X30	4	
4	00 0236 169 0	HEXAGONAL NUT	M6	4	
4	00 0239 387 0	CONTACT WASHER	A8-8,2X18X1,4	4	
5	00 0723 501 0	DOUBLE CLAMP	B 12	1	
6	00 0215 562 0	CONNECTION	R16-10	2	
7	00 0796 869 1	FUEL PIPE	MOTOR->TANK	1	1)
7	00 0545 901 0	FUEL PIPE	12,5X1,25X4500	1	2)
8	00 0215 394 0	HOLDER CLAMP	D1-24X20	1	
9	00 0545 908 0	FUEL PIPE	12.5X1.25X2270	1	3)
10	00 0796 870 1	FUEL PIPE	HANDPUMPE->MOT	1	4)
			OR		
10	00 0545 902 0	FUEL PIPE	12,5X1,25X3140	1	5)
11	00 0235 786 0	SEALING RING	A16 X22	6	
12	00 0215 562 0	CONNECTION	R16-10	4	
13	00 0237 442 0	HEXAGON HEAD BOLT	M8X25	2	
13	00 0236 170 0	HEXAGONAL NUT	M8	2	
13	00 0239 387 0	CONTACT WASHER	A8-8,2X18X1,4	2	
14	00 0068 665 0	HAND PUMP	H11K06 M16X1,5	1	
14	00 0077 446 0	SEALING RING	F. H11 K02	1	
14	00 0077 447 0	INSPECTION GLASS		1	
14	00 0077 445 0	FILTER ELEMENT		1	
15	00 0408 552 2	HOSE CLAMP	A-12-22X9	2	
16	00 0096 030 0	HOLLOW SCREW	12 - M16X1,5 (12-3	3	
			ZULÄS		
17	00 0237 442 0	HEXAGON HEAD BOLT	M8X25	2	
17	00 0236 170 0	HEXAGONAL NUT	M8	2	
17	00 0239 393 1	CONTACT WASHER	B 8 -8.2X22X1,9	4	
18	00 0236 688 0	SEALING RING	A10X16X1	2	
19	00 0761 583 1	LIMITATION VALVE	M16X1,5	1	
20	00 0090 121 0	SCREW PLUG	M16X1,5	5	
20	00 0200 699 0	SEAL BAND	FRP - 12,5X0,08X120001		
21	00 0068 664 1	SEPARATOR		1	6)
21	00 0068 666 0	FUEL FILTER		1	7)
22	00 0068 712 1	FUEL FILTER		1	6)
22	00 0068 711 0	FILTER ELEMENT		1	7)
23	00 0545 909 0	FUEL PIPE	500 LANG	1	8)
24	00 0545 906 0	SCREW UNION	M22X1.5/M16X1.5	2	
25	00 0238 451 0	O-RING	19,3 X2,4 -N	2	

1) machine no.

+ from 83500256 up to 83509999
+ from 83600206 up to 83609999
+ from C1200011 up to C1209999
to main filter
4020 long

2) machine no.

+ from 83500011 up to 83500255
+ from 83600011 up to 83600205
+ from C1200001 up to C1200010
with Item 6
for fuel filter
4500 long

MERCEDES OM 906 LA; FUEL SYSTEM

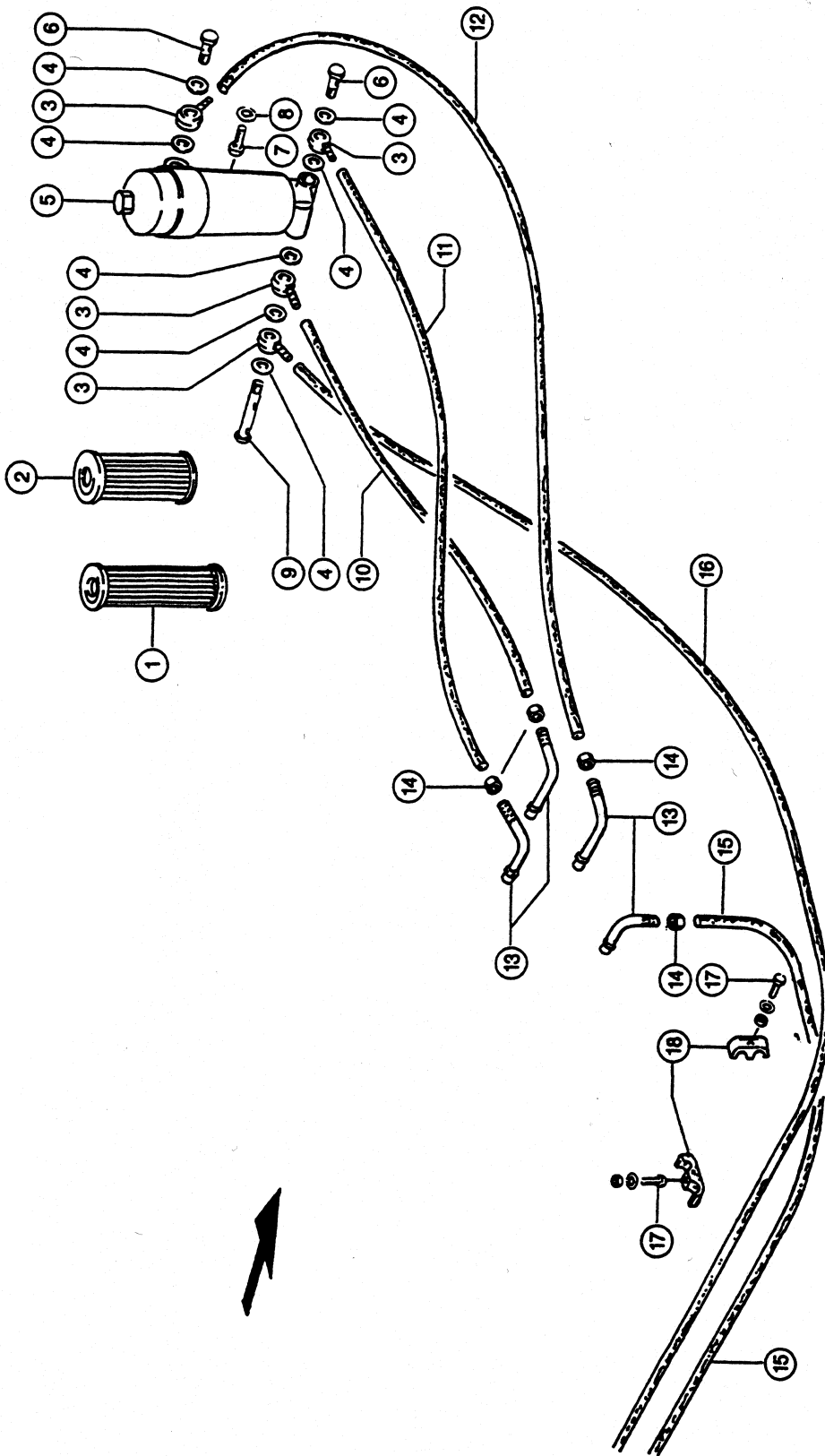
3)	Remarks	with Item 6 + 12 2270 long for rear tank
4)	machine no.	+ from 83500256 up to 83509999 + from 83600206 up to 83609999 + from C1200011 up to C1200010 to pre-filter 3400 long
5)	machine no.	+ from 83500011 up to 83500255 + from 83600011 up to 83600205 + from C1200001 up to C1200010 with Item 12 3140 long
6)	Remarks	see illustration plate 382 P 06 / 30
7)	Remarks	P 06 / 10
8)	Remarks	500 long with Item 12 + 15

384

MERCEDES OM 906 LA

CLAAS

09363z00
MEGA 350



133242

MERCEDES OM 906 LA; FUEL SYSTEM 1)

Pos.	Part No.	Description	Dimension	Quantity	Conditions
1	00 0545 953 0	OIL FILTER CARTRIDGE		1	
2	00 0068 709 0	FILTER ELEMENT		1	2)
3	00 0215 562 0	CONNECTION	R16-10	4	
4	00 0216 465 0	SEALING RING	D 16X22	7	
5	00 0545 914 0	FUEL FILTER		1	
6	00 0096 030 0	HOLLOW SCREW	12 - M16X1,5 (12-3 ZULÄS	2	
7	00 0237 382 0	HEXAGON HEAD BOLT	M10X20	2	
8	00 0239 388 0	CONTACT WASHER	A10-10,2X22,25X1,6	2	
9	00 0216 398 0	DOUBLE HOLLOW SCREW	12-8 M16X1,5	1	
10	00 0545 899 0	FUEL PIPE	12,5X1,25X620	1	3)
11	00 0545 900 0	FUEL PIPE	12,5X1,25X660	1	4)
12	00 0545 898 0	FUEL PIPE	12,5X1,25X920	1	5)
13	00 0068 687 0	CONNECTION	M18X1,5-10/100GRAD	4	
14	00 0216 364 0	UNION NUT	BLL12	4	
15	00 0545 902 0	FUEL PIPE	12,5X1,25X3140	1	6)
16	00 0545 901 0	FUEL PIPE	12,5X1,25X4500	1	7)
17	00 0242 442 0	HEXAGON HEAD BOLT	M 6X30	3	
17	00 0236 169 0	HEXAGONAL NUT	M6	3	
17	00 0239 386 0	CONTACT WASHER	A 6	3	
18	00 0723 501 0	DOUBLE CLAMP	B 12	3	

1) machine no. + from 83500011 up to 83500255
+ from 83600011 up to 83600205
+ from C1200001 up to C1200010

2) Remarks with O-Ring

3) Remarks with Item 3, 13, 14
620 long

4) Remarks with Item 3, 13, 14
660 long

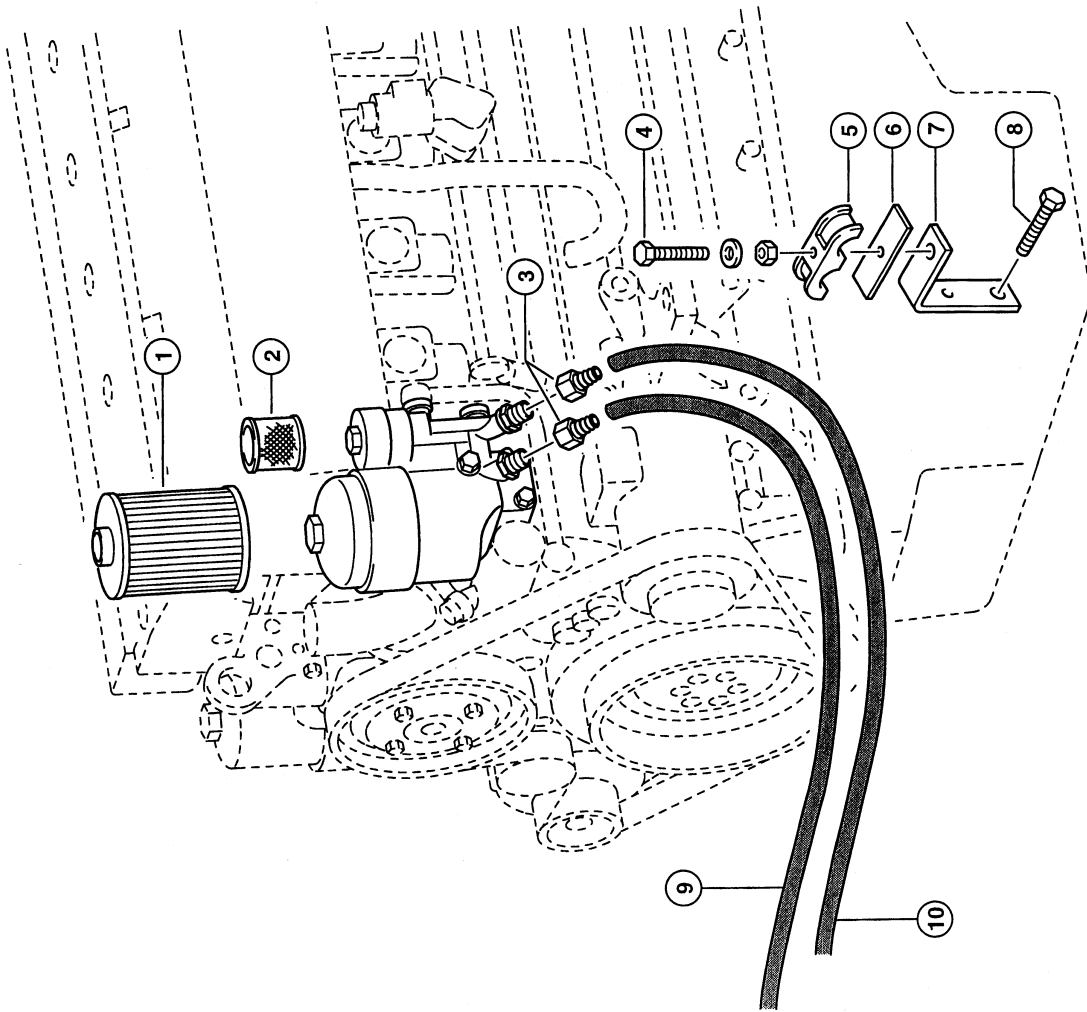
5) Remarks with Item 3, 13, 14
920 long

6) Remarks with Item 3, 13, 14
3140 long
for hand feed pump

7) Remarks with Item 3
4500 long
for front tank

384A

09698z00
MEGA 350



CLAAS

MERCEDES OM 906 LA; FUEL SYSTEM 1)

Pos.	Part No.	Description	Dimension	Quantity	Conditions
1	00 0798 318 0	FILTER ELEMENT		1	2)
2	00 0798 319 0	FILTER ELEMENT		1	3)
3	00 0068 688 1	CONNECTION	M18X1,5-10	2	
4	00 0242 442 0	HEXAGON HEAD BOLT	M 6X30	1	
4	00 0236 169 0	HEXAGONAL NUT	M6	1	
4	00 0239 386 0	CONTACT WASHER	A 6	1	
5	00 0723 501 0	DOUBLE CLAMP	B 12	1	
6	00 0813 888 0	PLATE	70X25X3	1	
7	00 0605 551 2	BRACKET	25X5X145	1	
8	00 0242 442 0	HEXAGON HEAD BOLT	M 6X30	1	
9	00 0796 869 1	FUEL PIPE	MOTOR->TANK	1	4)
10	00 0796 870 1	FUEL PIPE	HANDPUMPE->MOT OR	1	5)

1) machine no. + from 83500256 up to 83509999
+ from 83600206 up to 83609999
+ from C1200011 up to C1209999

2) Remarks Main filter

3) Remarks Pre filter

4) Remarks to tank

5) Remarks to hand pump

Thank you so much for reading.
Please click the “Buy Now!”
button below to download the
complete manual.



After you pay.

You can download the most
perfect and complete manual in
the world immediately.

Our support email:

ebooklibonline@outlook.com