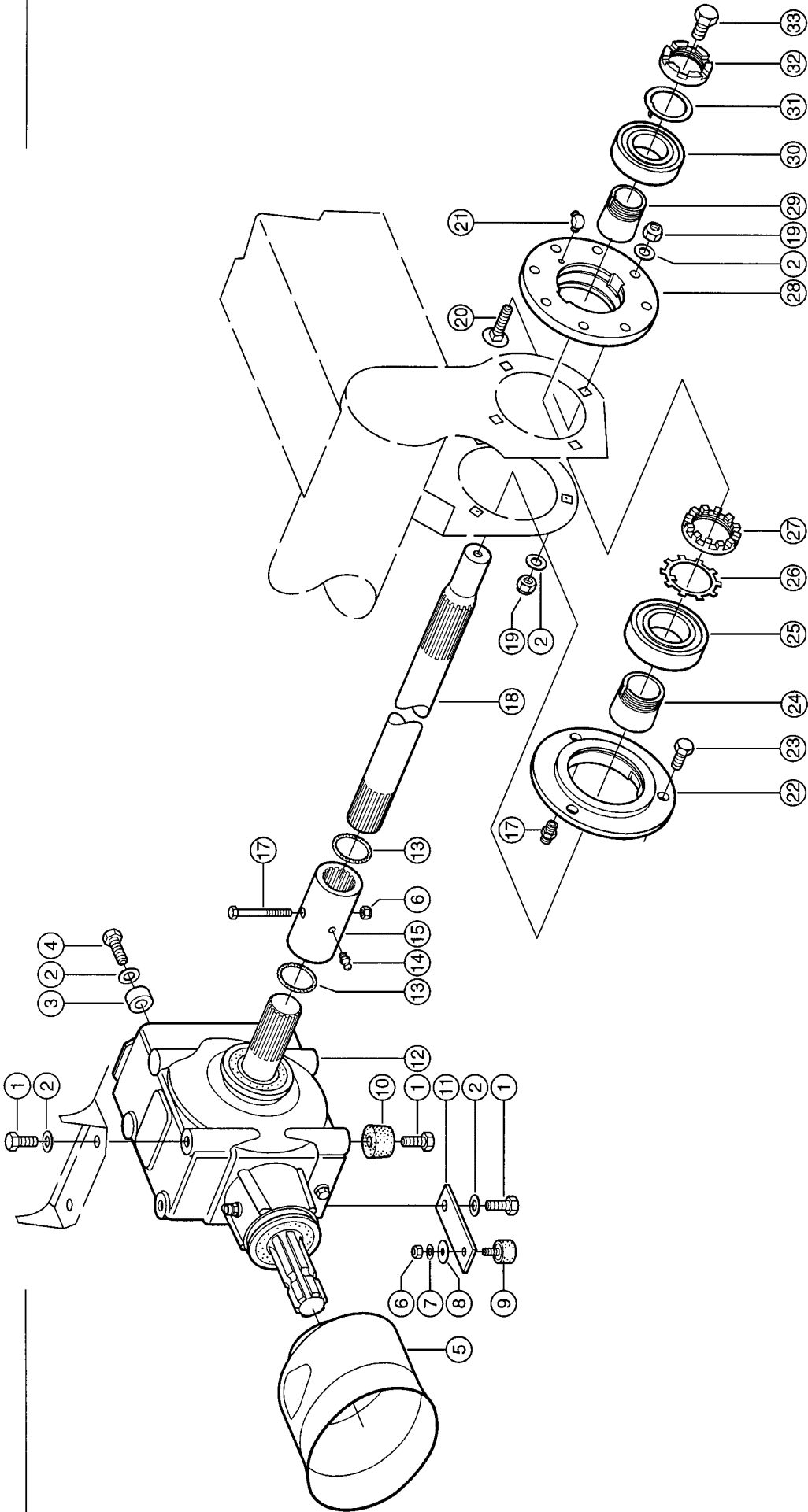


1

CLAAS



QUANTUM 3500 K / P



92688F

MAIN DRIVE - SWITCHING

Pos.	Part No.	Description	Dimension	Quantity	Conditions
1	00 0233 583 0	HEXAGON HEAD BOLT	M16X35-MKL	3	
2	00 0239 391 0	CONTACT WASHER	A16	13	
3	00 0970 711 0	BUSHING	17 X30H9X 15	2	
4	00 0238 952 0	HEXAGON HEAD BOLT	M16X45-MKL	2	
5	00 0963 402 0	GUARD CUP		1	
6	00 0238 132 0	LOCK NUT	M8	2	
7	00 0239 387 0	CONTACT WASHER	A8-8,2X18X1,4	1	
8	00 0237 957 0	WASHER	8,5X30X3	1	
9	00 0980 464 0	BUFFER BUMPER	B40X35-M8X22,5	1	
10	00 0972 110 0	RUBBER PAD	D60X40	1	
11	00 0962 722 0	STRAP	45X10X 140	1	
12	00 0971 920 0	MAIN GEARBOX	1000 U/MIN	1	1)
13	00 0211 085 0	O-RING	50 X3 -N	2	
14	00 0236 944 0	GREASE NIPPLE	C S6X1	1	
15	00 0970 089 0	SLEEVE	70X 142.6	1	
16	00 0235 525 0	HEXAGON HEAD BOLT	M8X80	1	
17	00 0239 156 0	SCREW-IN FITTING	LL 5-M8X1 KEG	1	
18	00 0970 088 1	SHAFT	50H9X 804	1	
19	00 0238 047 0	LOCK NUT	M16	7	
20	00 0215 108 0	COACH BOLT	M16X 50	4	
21	00 0233 884 0	ANGLE UNION	SDE-LL5-M8X1-TYPE C1		
22	00 0963 413 1	BEARING HOUSING	215X 30	1	
23	00 0235 821 0	HEXAGON HEAD BOLT	M16X40	4	
24	00 0212 582 0	TAPER LOCK SLEEVE	H 311-SA OMUS	1	
25	00 0212 581 0	GRVD.BALL BEARING	P6311K-2S 2RSR	1	
26	00 0642 367 1	LOCKING PLATE	55	1	
27	00 0642 366 0	SLOTTED NUT	M55X2	1	
28	00 0970 086 1	BEARING HOUSING	D218X 40	1	
29	00 0212 275 0	TAPER LOCK SLEEVE	H 309	1	
30	00 0212 274 0	GRVD.BALL BEARING	P6309K-2S 2RSR	1	
31	00 0500 893 0	CIRCLIP	45	1	
32	00 0500 891 1	SLOTTED NUT	M45X1,5	1	
33	00 0233 984 0	HEXAGON HEAD BOLT	M20X25	1	

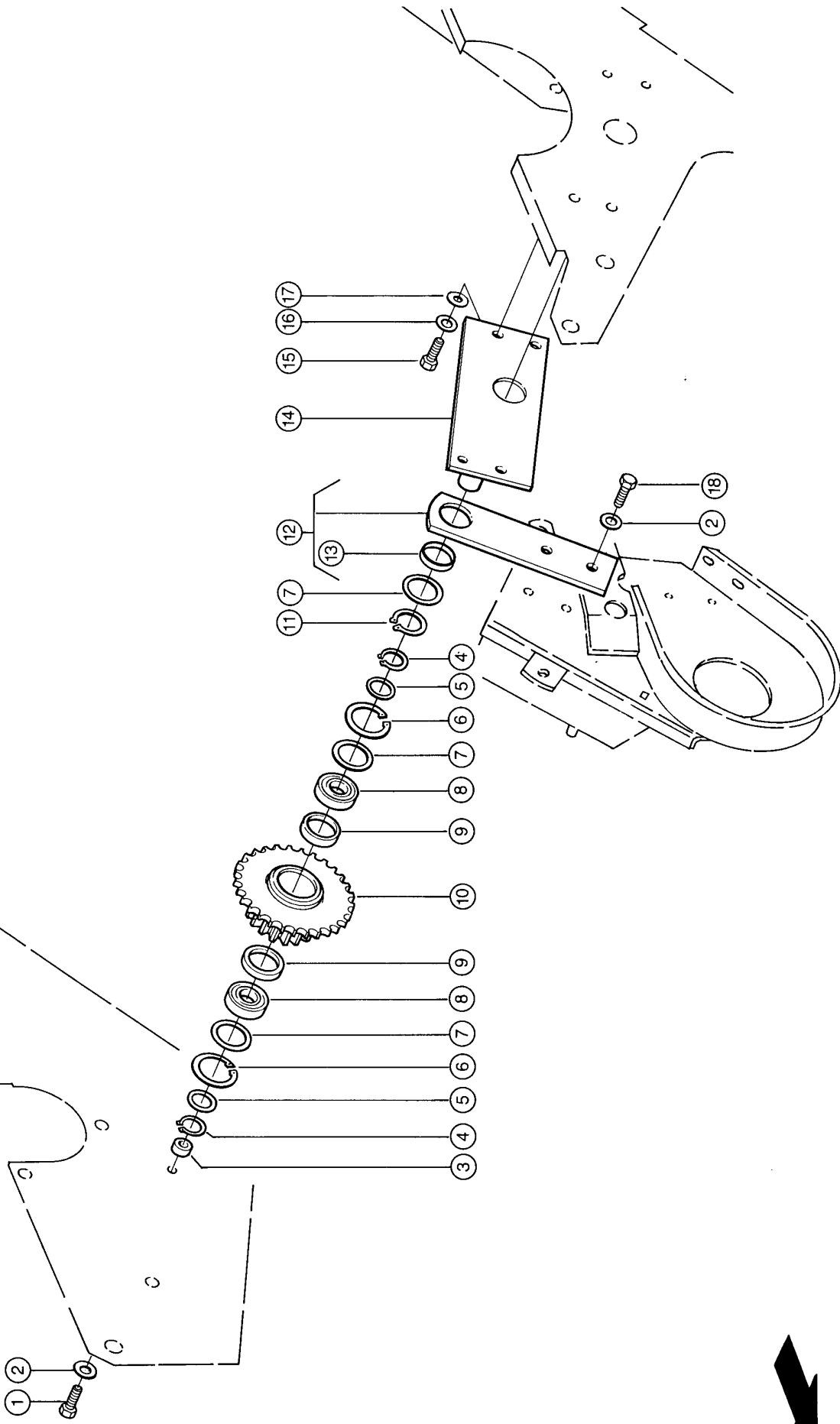
1) Remarks

single parts plate 9

2

SPRINT

CLAAS



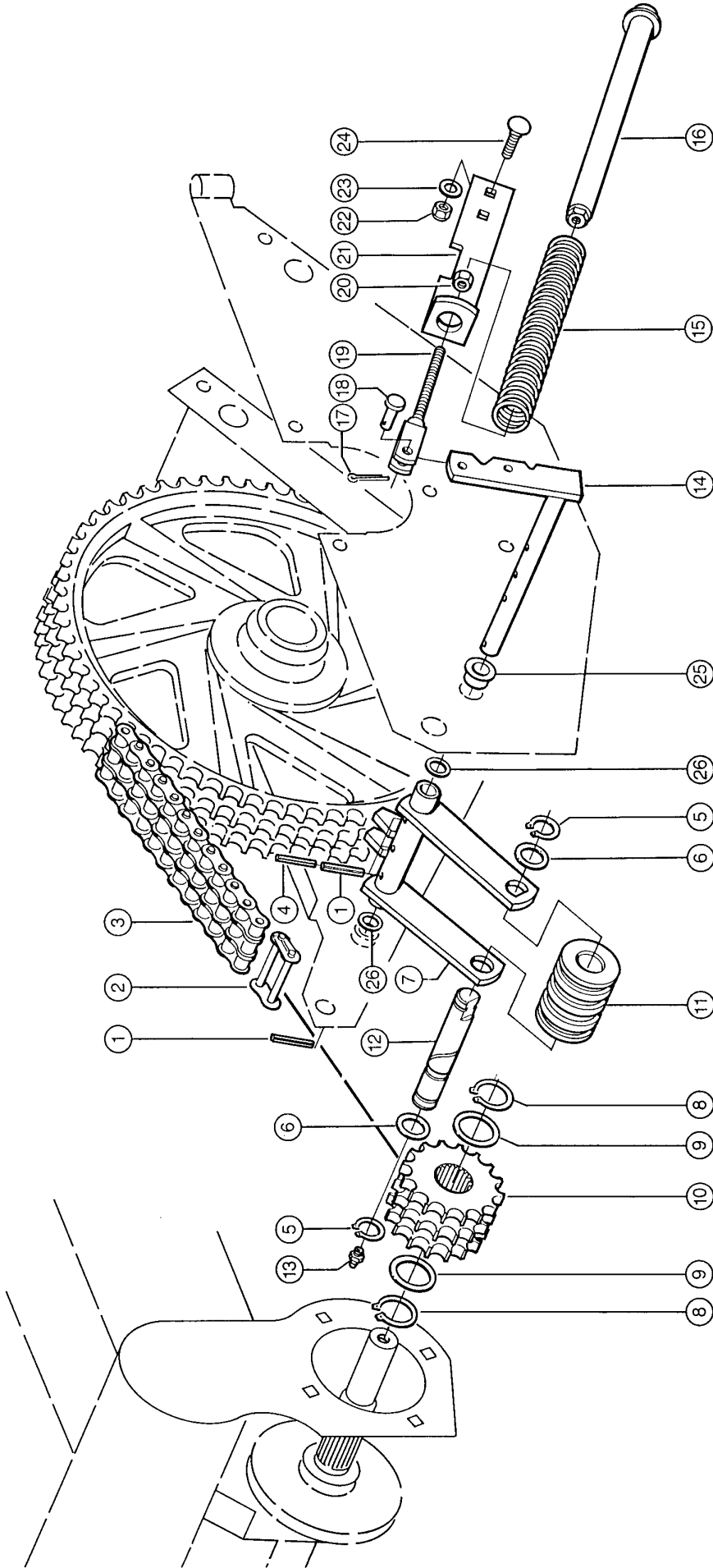
90982

DRIVE R.H.

Pos.	Part No.	Description	Dimension	Quantity	Conditions
1	00 0233 441 0	HEXAGON HEAD BOLT	M16X30-MKL	1	
2	00 0239 391 0	CONTACT WASHER	A16	3	
3	00 0963 598 0	BUSHING	25X 4X 14	1	
4	00 0235 164 0	CIRCLIP	35X1,5	2	
5	00 0234 385 0	BACK-UP WASHER	S 35X45	2	
6	00 0235 184 0	CIRCLIP	62X2	2	
7	00 0238 198 0	BACK-UP WASHER	S 50X62X3	3	
8	00 0238 201 0	GRVD.BALL BEARING	6007 LLU/5K	2	
9	00 0961 288 0	SPACER RING	53,9X60,3X 10	2	
10	00 0963 592 0	GEAR	Z 16/29	1	
11	00 0237 862 0	CIRCLIP	50X2	1	
12	00 0963 596 0	BEARING PLATE		1	
13	00 0961 124 0	BEARING BUSH	50X 55X 10	1	
14	00 0963 588 0	SHAFT		1	
15	00 0237 461 0	HEXAGON HEAD BOLT	M12X30	4	
16	00 0239 389 0	CONTACT WASHER	A12	4	
17	00 0211 394 0	WASHER	13X35X5	4	
18	00 0235 821 0	HEXAGON HEAD BOLT	M16X40	2	

3

SPRINT



CLAAS



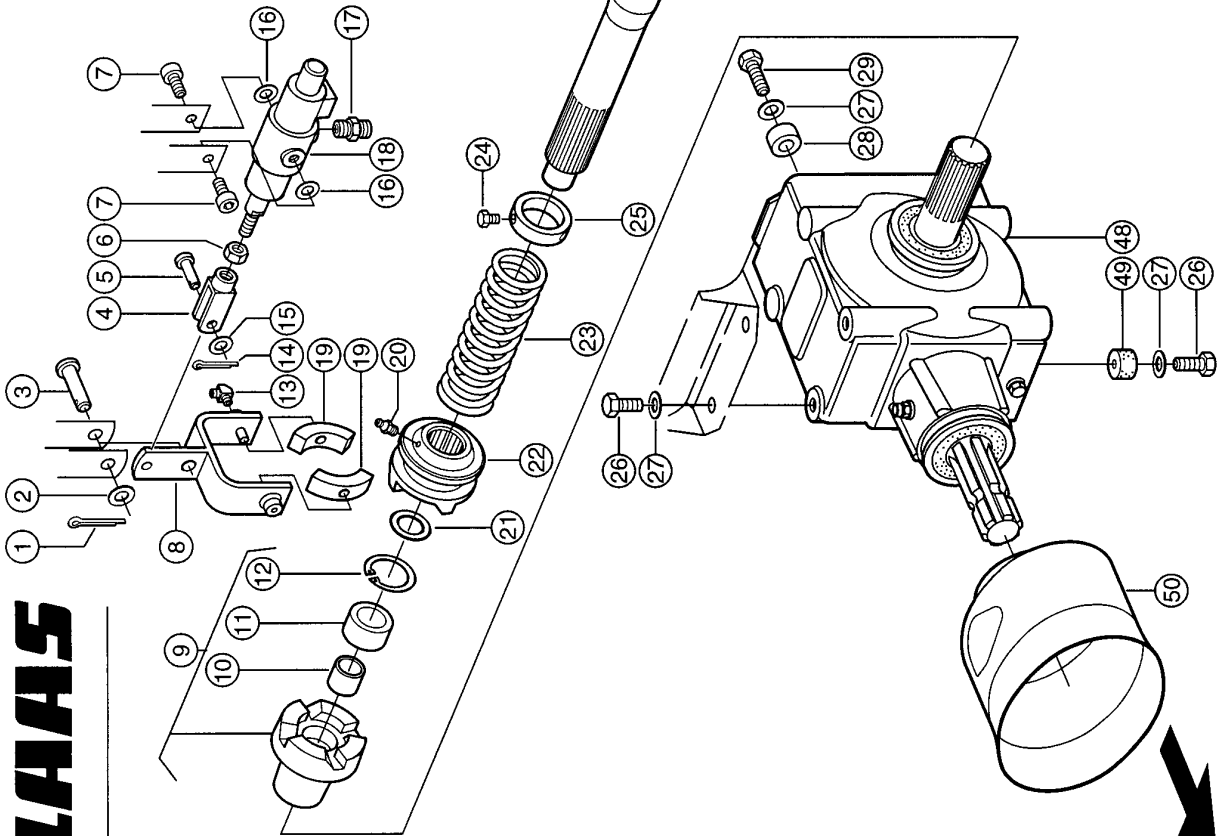
DRIVE L.H.

Pos.	Part No.	Description	Dimension	Quantity	Conditions
1	00 0237 575 2	SPRING PIN	8 X 45	4	
2	00 0212 609 0	LOCKING LINK	E-16B-3	1	
3	00 0214 059 0	ROLLER CHAIN	16B-3X102 E	1	
3	00 0214 225 0	ROLLER CHAIN	16B-3X102 E	1	
3	00 0212 584 1	ROLLER CHAIN	16B-3X102 E	1	
4	00 0235 652 2	SPRING PIN	5 X 45	3	
5	00 0235 163 0	CIRCLIP	30X1,5	2	
6	00 0234 153 0	SHIM	30,5X42X1	2	
7	00 0970 783 0	SWING		1	
8	00 0237 862 0	CIRCLIP	50X2	2	
9	00 0234 432 0	SHIM	50X62X1	2	
10	00 0963 535 0	SPROCKET	3X16Z. 142,9X78,6	1	
11	00 0963 548 2	TENSION PULLEY	30,15X 80X110	1	
12	00 0970 477 0	SHAFT	30,15H9X 162	1	
13	00 0236 942 0	GREASE NIPPLE	A S6X1	1	
14	00 0970 785 0	PIN		1	
15	00 0788 924 0	COMPRESS.SPRING	7 X 39 X415	1	
16	00 0629 611 1	SPRING GUIDE		1	
17	00 0235 090 0	SPLIT PIN	4 X 28	1	
18	00 0632 133 0	PIN	B-10A12X28X4,5	1	
19	00 0629 571 0	THREADED FORK		1	
20	00 0236 172 0	HEXAGONAL NUT	M12	1	
21	00 0970 158 3	ANGLE	50X10X 382	1	
22	00 0238 234 0	LOCK NUT	M12	1	
23	00 0239 389 0	CONTACT WASHER	A12	1	
24	00 0238 998 0	COACH BOLT	M12X40	1	
25	00 0008 543 0	BUSHING	25,1X 30 X15	1	
26	00 0238 386 0	BACK-UP WASHER	S 25X35X2	1	

4

CLAAS

QUANTUM 3500 S



92771R

MAIN DRIVE - CONTROL L.H. 3500 S

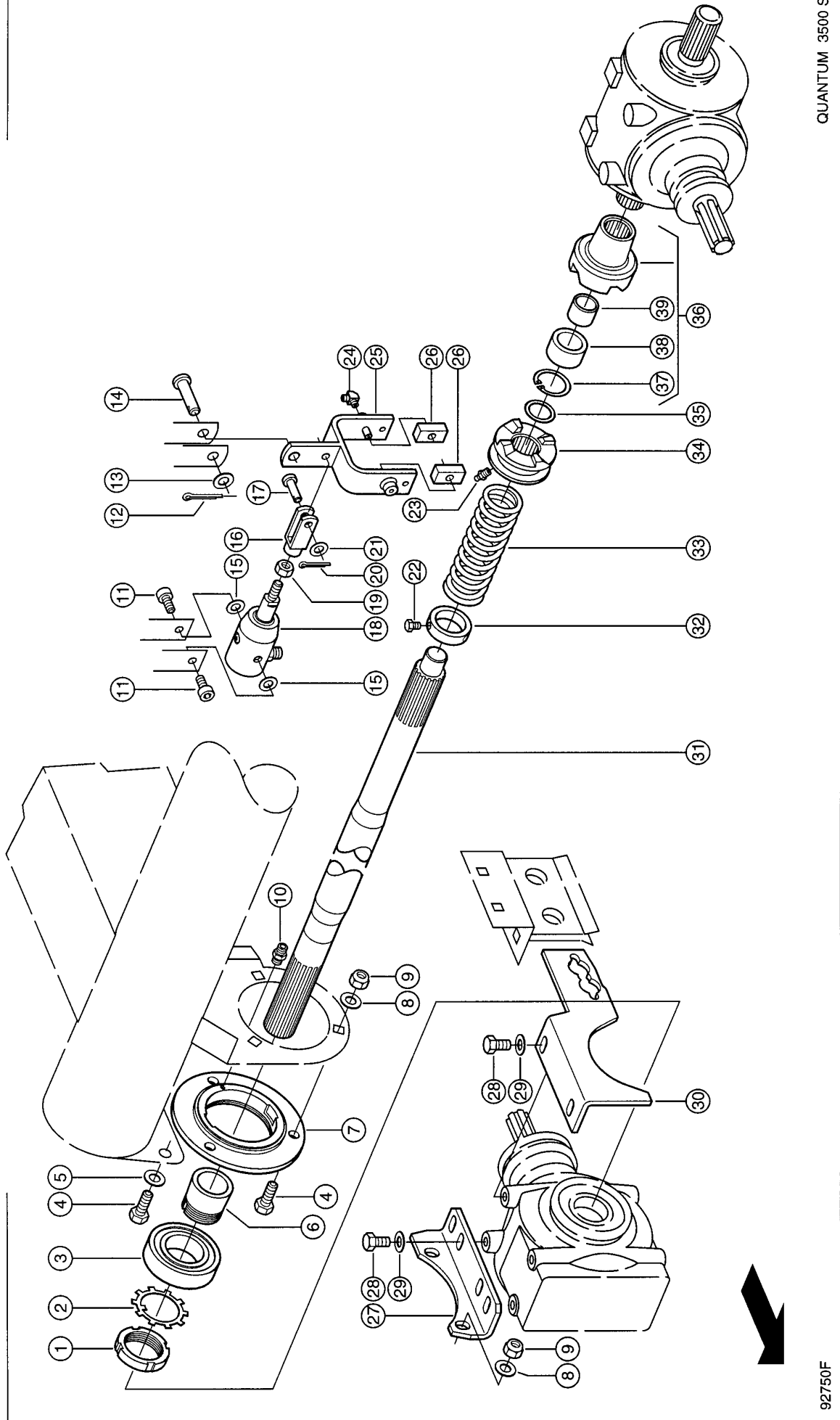
Pos.	Part No.	Description	Dimension	Quantity	Conditions
1	00 0237 026 0	SPLIT PIN	5X32	2	
2	00 0940 015 8	WASHER	10,5X 40 X4	2	
3	00 0949 574 0	PIN	D16H9X 70	1	
4	00 0629 569 0	FORK HEAD	G 10X40-M12	1	
5	00 0632 133 0	PIN	B-10A12X28X4,5	1	
6	00 0236 456 0	HEXAGONAL NUT	M12	1	
7	00 0233 407 0	SOCKET HEAD SCREW	M10X 16-MKL	2	
8	00 0970 971 0	SHIFT FORK		1	
9	00 0963 403 1	SLEEVE		1	
10	00 0211 400 0	GLIDE BEARING	35X39X30	1	
11	00 0963 408 0	BUSHING	39H7X56J6X 30	1	
12	00 0212 703 0	CIRCLIP	56X2	1	
13	00 0233 884 0	ANGLE UNION	SDE-LL5-M8X1-TYPE C1		
14	00 0235 089 0	SPLIT PIN	4 X 22	1	
15	00 0238 292 0	WASHER	10,5X 22 X1	1	
16	00 0239 388 0	CONTACT WASHER	A10-10,2X22,25X1,6	2	
17	00 0233 653 0	STRAIGHT MALE CONNECTOR	SDS-L10XM12X1, 5-TYPE B	1	
18	00 0084 772 3	HYDR. CYLINDER		1	
19	00 0970 976 0	GLIDING BLOCK	45X15X 22,5	2	
20	00 0236 942 0	GREASE NIPPLE	A S6X1	1	
21	00 0234 385 0	BACK-UP WASHER	S 35X45	1	
22	00 0970 928 0	CONTROL SLEEVE LH	100X 58	1	
23	00 0629 981 0	COMPRESS.SPRING	5,6 X 58,6X226	1	
24	00 0237 447 0	HEXAGON HEAD BOLT	M10X12-CP-SW13	2	
25	00 0970 929 0	ADJUSTING RING	E50E8X65X15M10	1	
26	00 0233 583 0	HEXAGON HEAD BOLT	M16X35-MKL	2	
27	00 0239 391 0	CONTACT WASHER	A16	12	
28	00 0970 711 0	BUSHING	17 X30H9X 15	2	
29	00 0238 952 0	HEXAGON HEAD BOLT	M16X45-MKL	2	
30	00 0970 927 0	SHAFT	50H9X 812	1	
31	00 0239 156 0	SCREW-IN FITTING	LL 5-M8X1 KEG	1	
32	00 0238 047 0	LOCK NUT	M16	7	
33	00 0215 108 0	COACH BOLT	M16X 50	4	
34	00 0970 090 0	SPACER BUSH	40,5X60,3X 44	1	
35	00 0970 086 1	BEARING HOUSING	D218X 40	1	
36	00 0233 884 0	ANGLE UNION	SDE-LL5-M8X1-TYPE C1		
37	00 0212 275 0	TAPER LOCK SLEEVE	H 309	1	
38	00 0212 274 0	GRVD.BALL BEARING	P6309K-2S 2RSR	1	
39	00 0500 893 0	CIRCLIP	45	1	
40	00 0500 891 1	SLOTTED NUT	M45X1,5	1	
41	00 0233 984 0	HEXAGON HEAD BOLT	M20X25	1	
42	00 0642 366 0	SLOTTED NUT	M55X2	1	
43	00 0642 367 1	LOCKING PLATE	55	1	
44	00 0212 581 0	GRVD.BALL BEARING	P6311K-2S 2RSR	1	
45	00 0212 582 0	TAPER LOCK SLEEVE	H 311-SA OMUS	1	
46	00 0235 821 0	HEXAGON HEAD BOLT	M16X40	4	
47	00 0963 413 1	BEARING HOUSING	215X 30	1	
48	00 0971 920 0	MAIN GEARBOX	1000 U/MIN	1	1)
49	00 0972 110 0	RUBBER PAD	D60X40	1	
50	00 0963 402 0	GUARD CUP		1	

1) Remarks

single parts plate 9

5

CLAAS



92750F

QUANTUM 3500 S

SWITCHGEAR FOR BEATER DRUMS 3500 S

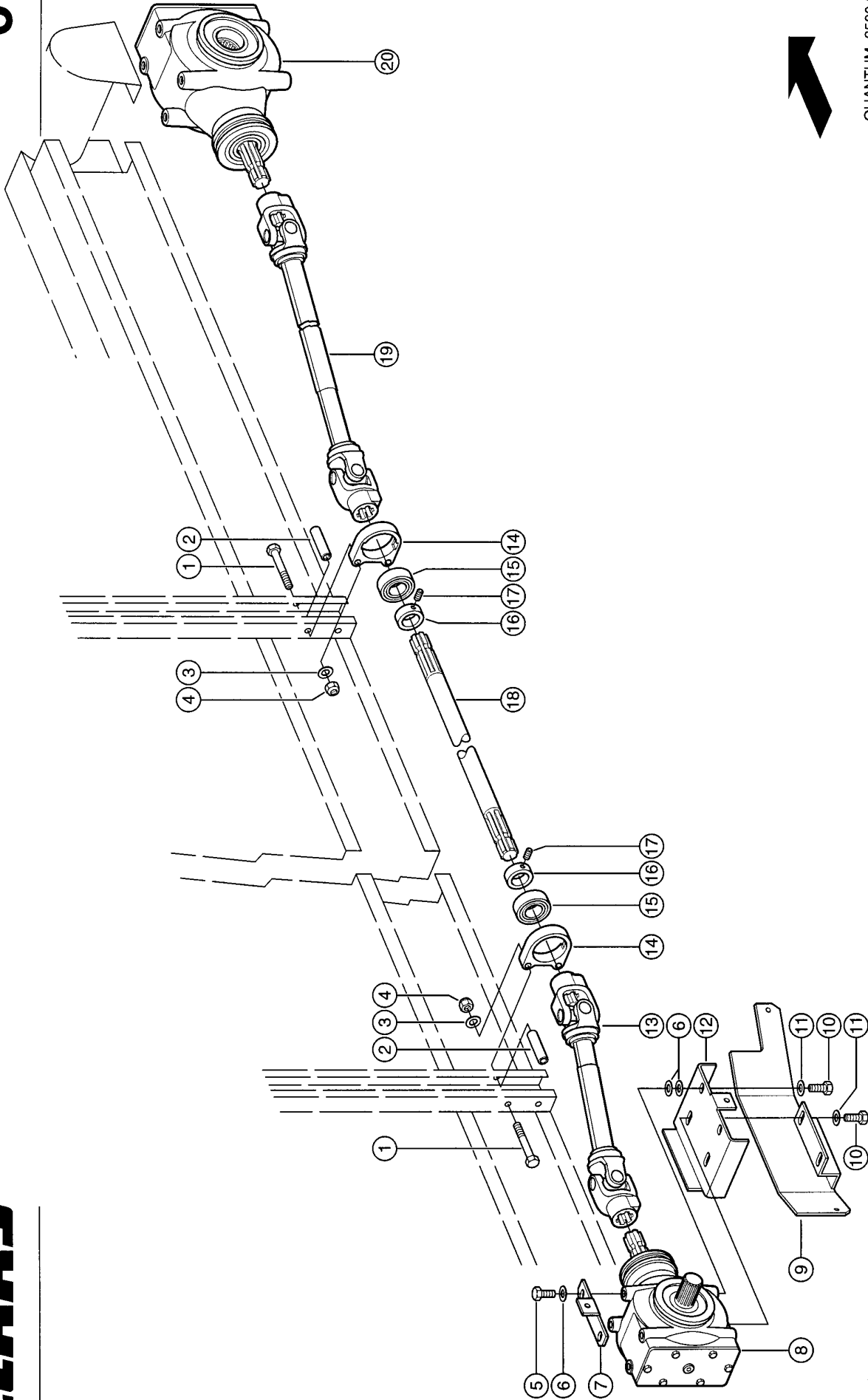
Pos.	Part No.	Description	Dimension	Quantity	Conditions
1	00 0642 366 0	SLOTTED NUT	M55X2	1	
2	00 0642 367 1	LOCKING PLATE	55	1	
3	00 0212 581 0	GRVD.BALL BEARING	P6311K-2S 2RSR	1	
4	00 0235 821 0	HEXAGON HEAD BOLT	M16X40	5	
5	00 0235 127 2	WASHER	16 - 17X30X3	2	
6	00 0212 582 0	TAPER LOCK SLEEVE	H 311-SA OMUS	1	
7	00 0963 413 1	BEARING HOUSING	215X 30	1	
8	00 0239 391 0	CONTACT WASHER	A16	5	
9	00 0238 047 0	LOCK NUT	M16	5	
10	00 0239 156 0	SCREW-IN FITTING	LL 5-M8X1 KEG	1	
11	00 0233 407 0	SOCKET HEAD SCREW	M10X 16-MKL	2	
12	00 0237 026 0	SPLIT PIN	5X32	2	
13	00 0940 015 8	WASHER	10,5X 40 X4	2	
14	00 0949 574 0	PIN	D16H9X 70	1	
15	00 0239 388 0	CONTACT WASHER	A10-10,2X22,25X1,6	2	
16	00 0629 569 0	FORK HEAD	G 10X40-M12	1	
17	00 0632 133 0	PIN	B-10A12X28X4,5	1	
18	00 0084 775 1	HYDR. CYLINDER		1	1)
19	00 0236 456 0	HEXAGONAL NUT	M12	1	
20	00 0235 089 0	SPLIT PIN	4 X 22	1	
21	00 0238 292 0	WASHER	10,5X 22 X1	1	
22	00 0237 447 0	HEXAGON HEAD BOLT	M10X12-CP-SW13	2	
23	00 0236 942 0	GREASE NIPPLE	A S6X1	2	
24	00 0233 884 0	ANGLE UNION	SDE-LL5-M8X1-TYPE C1		
25	00 0971 597 0	SHIFT FORK		1	
26	00 0970 976 0	GLIDING BLOCK	45X15X 22,5	2	
27	00 0971 431 2	ANGLE	8X118X232	1	
28	00 0090 040 0	HEXAGON HEAD BOLT	M14X25	6	
29	00 0239 390 0	CONTACT WASHER	A14	6	
30	00 0972 023 0	SUPPORT	8X177X337	1	
31	00 0971 377 0	SHAFT	55X 960	1	
32	00 0970 929 0	ADJUSTING RING	E50E8X65X15M10	1	
33	00 0629 981 0	COMPRESS.SPRING	5,6 X 58,6X226	1	
34	00 0970 943 0	CONTROL SLEEVE	100X 58	1	
35	00 0234 385 0	BACK-UP WASHER	S 35X45	1	
36	00 0963 644 1	SLEEVE		1	
37	00 0212 703 0	CIRCLIP	56X2	1	
38	00 0963 408 0	BUSHING	39H7X56J6X 30	1	
39	00 0211 400 0	GLIDE BEARING	35X39X30	1	

1) Remarks

single parts plate 81

6

QUANTUM 3500 S



CLAAS

DRIVE FOR BEATER DRUMS 3500 S

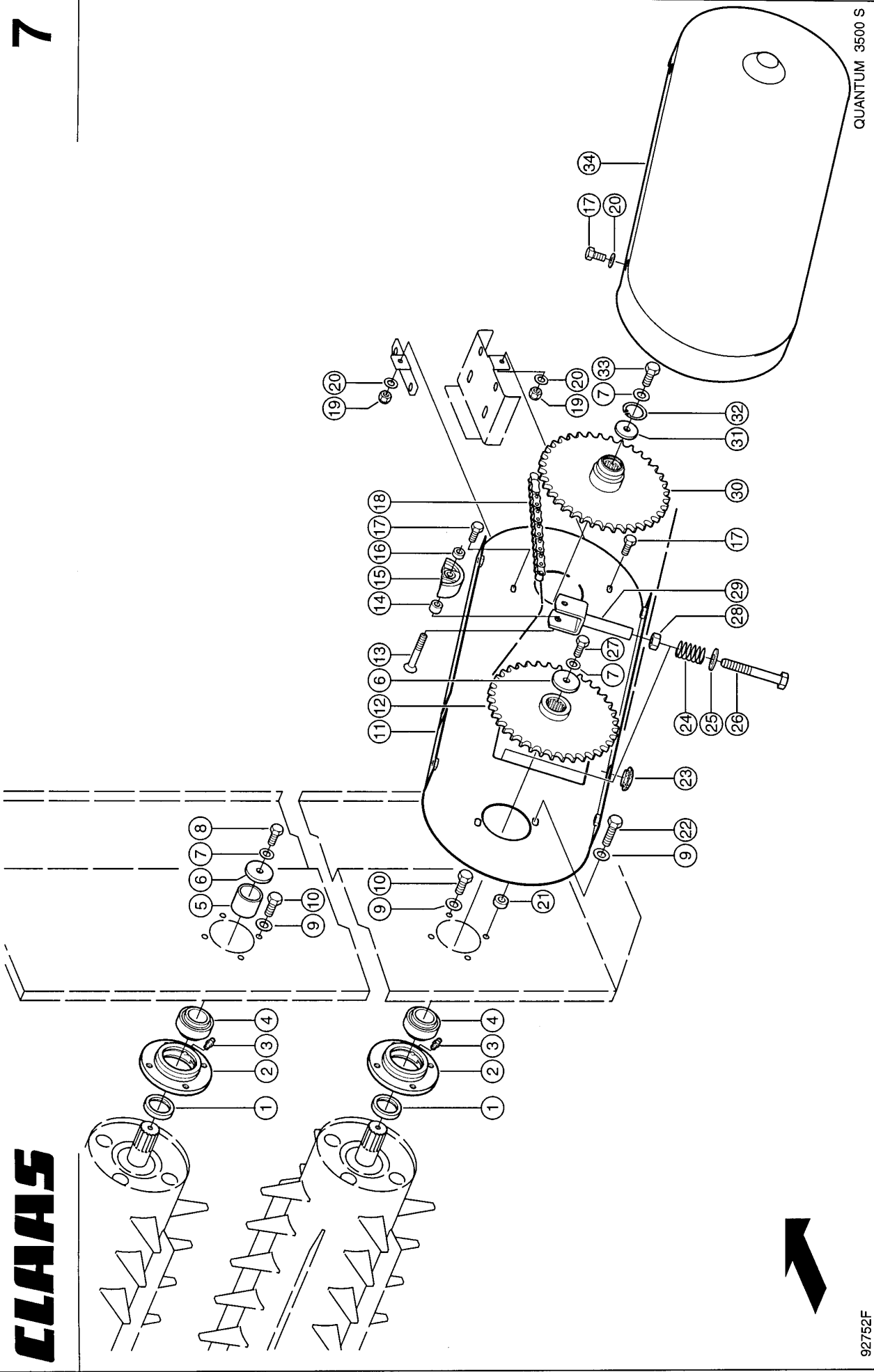
Pos.	Part No.	Description	Dimension	Quantity	Conditions
1	00 0235 545 0	HEXAGON HEAD BOLT	M10X120	2	
2	00 0971 433 0	SPACER		2	
3	00 0233 658 0	CONICAL SPRING WASHER	10 -10,5X23X2,5	2	
4	00 0237 947 0	HEX. NUT WITH CLAMP. PART	M10	2	
5	00 0236 056 0	HEXAGON HEAD BOLT	M12X25	2	
6	00 0239 389 0	CONTACT WASHER	A12	8	
7	00 0971 430 0	ANGLE	4 X 66X 154	1	
8	00 0971 439 0	ANGLE DRIVE	GT-41LB-1.93:1	1	1)
9	00 0972 014 0	DEFLECTOR PLATE	4X226X533	1	
10	00 0211 057 1	HEXAGON HEAD BOLT	M12X35-MKL	4	
11	00 0233 103 0	WASHER	13-13X30X6	2	
12	00 0971 427 1	SUPPORTING PLATE	8 X 196X 241	1	
13	00 0971 479 0	DRIVE SHAFT		1	
14	00 0968 757 0	BEARING HOUSING		1	
15	00 0930 649 0	TENSION BEARING	YEN 207-S	1	
16	00 0616 067 1	LOCK COLLAR	35	1	
17	00 0235 687 0	SPRING PIN	8X90 ERSATZ 2356871	2	
18	00 0971 444 0	DRIVE SHAFT	D35H8X2472	1	
19	00 0972 392 0	DRIVE SHAFT		1	
20	00 0971 438 0	ANGLE DRIVE	GT-51H-3.18:1	1	2)

1) Remarks single parts plate 11

2) Remarks single parts plate 10

7

QUANTUM 3500 S



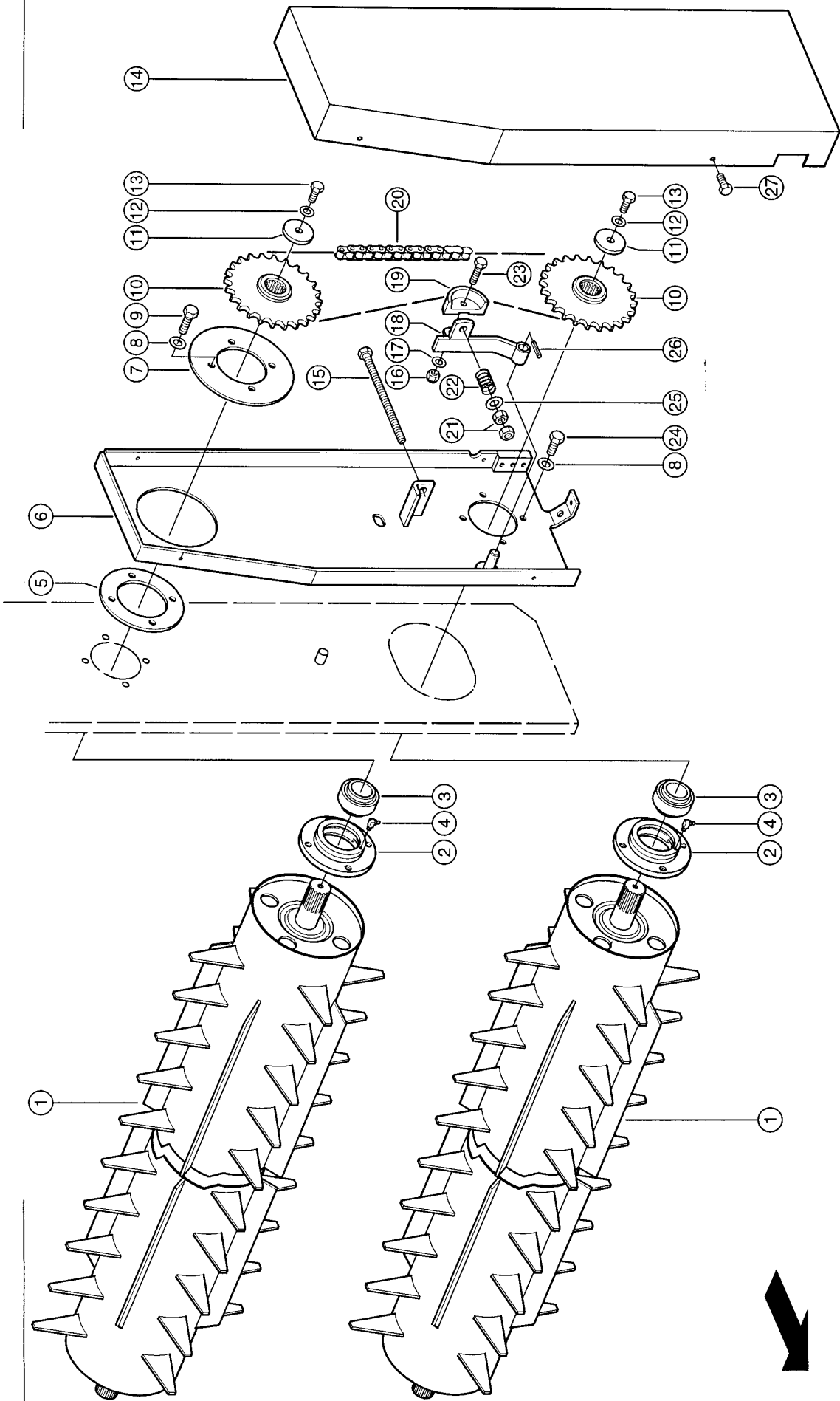
CLAAS

DRIVE FOR BEATER DRUMS R.H. 3500 S

Pos.	Part No.	Description	Dimension	Quantity	Conditions
1	00 0963 437 0	SPACER RING	50X 65X 12	2	
2	00 0963 433 0	BEARING FLANGE	D85X165X32	2	
3	00 0239 156 0	SCREW-IN FITTING	LL 5-M8X1 KEG	2	
4	00 0238 389 0	LOCK COLLAR BEAR.	YEL 209-S	2	
5	00 0972 183 0	SPACER BUSH	D57X6,3X50	1	
6	00 0233 031 0	WASHER	13X62X6	2	
7	00 0239 394 1	CONTACT WASHER	B10	1	
8	00 0233 000 0	HEXAGON HEAD BOLT	M10X25-MKL	2	
9	00 0239 389 0	CONTACT WASHER	A12	8	
10	00 0236 056 0	HEXAGON HEAD BOLT	M12X25	6	
11	00 0971 455 0	FLOOR PLATE		1	
12	00 0971 373 0	SPROCKET		1	
13	00 0216 192 0	COUNTERSUNK BOLT	M10X 70	1	
14	00 0914 976 0	BUSHING		1	
15	00 0927 321 0	TIGHTENING PIECE		1	
16	00 0900 573 0	SPACER TUBE	458-900.0-62	1	
17	00 0236 200 0	HEXAGON HEAD BOLT	M8X20	2	
18	00 0213 996 0	ROLLER CHAIN	16B-1X103 L-E	1	
19	00 0238 132 0	LOCK NUT	M8	2	
20	00 0239 387 0	CONTACT WASHER	A8-8,2X18X1,4	2	
21	00 0905 163 1	WASHER	D25H9X 12	2	
22	00 0237 462 0	HEXAGON HEAD BOLT	M12X40	2	
23	00 0244 079 0	PLUG	D10,7-F	1	
24	00 0927 210 0	COMPRESS.SPRING	3,2 X 20 X33,5	1	
25	00 0236 949 0	WASHER	16,5X28X3	1	
26	00 0237 380 0	HEXAGON HEAD BOLT	M16X140	1	
27	00 0233 396 0	HEXAGON HEAD BOLT	M10X30-MKL	1	
28	00 0236 173 0	HEXAGONAL NUT	M16	1	
29	00 0972 044 0	BEARING SUPPORT		1	
30	00 0971 421 0	SPROCKET	37 Z.	1	
31	00 0971 422 0	WASHER		1	
32	00 0242 881 0	CIRCLIP	45X1,75	1	
33	00 0239 049 0	HEXAGON HEAD BOLT	M12X30-MKL	1	
34	00 0971 457 0	COVER PLATE		1	

8

QUANTUM 3500 S



CLAAS

Thank you so much for reading.
Please click the “Buy Now!”
button below to download the
complete manual.



After you pay.

You can download the most
perfect and complete manual in
the world immediately.

Our support email:

ebooklibonline@outlook.com