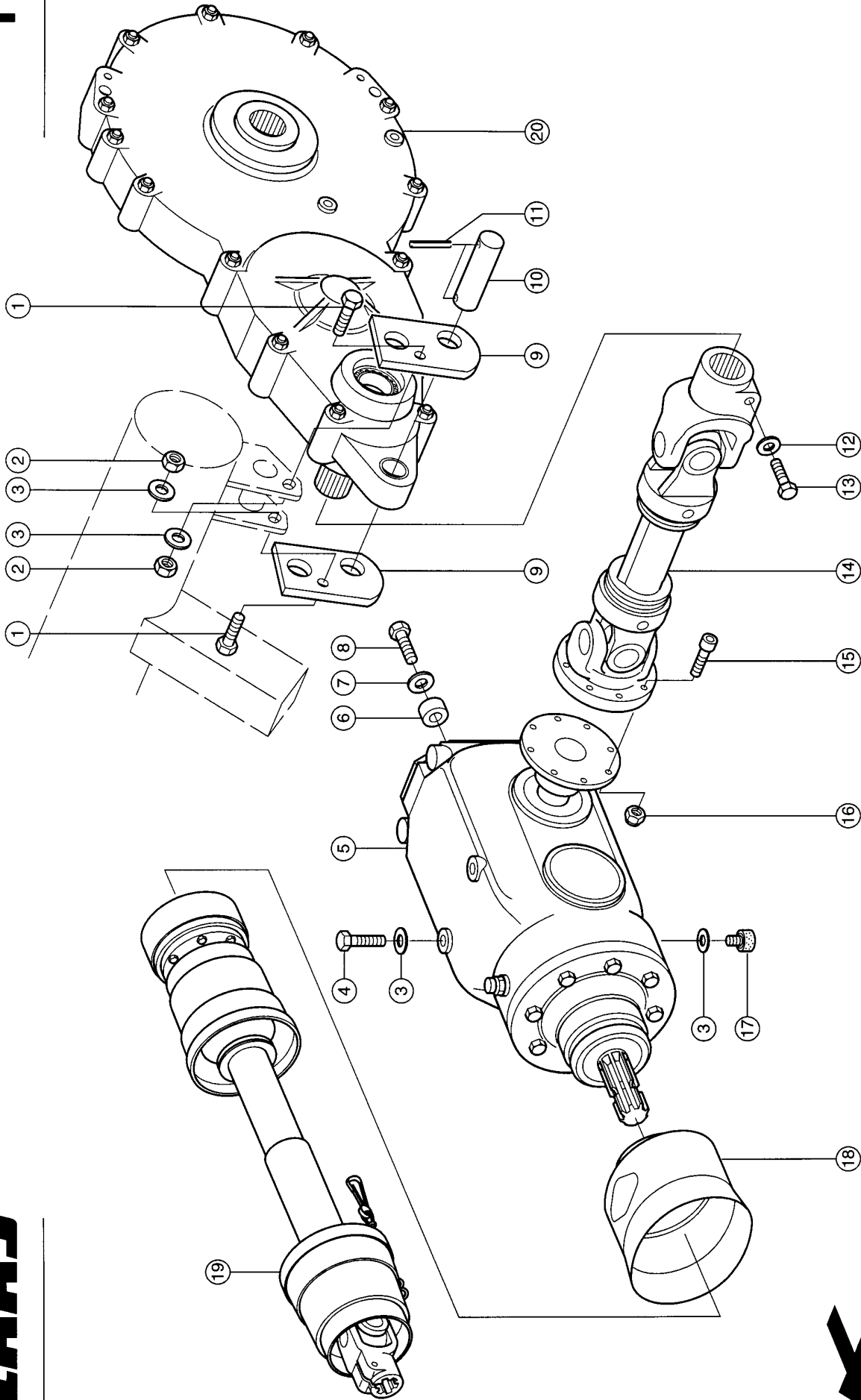


1

QUANTUM 5500 S / 4500 S



CLAAS

92718R



MAIN DRIVE

Pos.	Part No.	Description	Dimension	Quantity	Conditions
1	00 0235 585 0	HEXAGON HEAD BOLT	M16X45	2	
2	00 0238 047 0	LOCK NUT	M16	2	
3	00 0239 392 0	CONTACT WASHER	B 6 -6X18X1,4	2	
4	00 0233 583 0	HEXAGON HEAD BOLT	M16X35-MKL	2	
5	00 0972 140 0	MAIN GEARBOX	1000 U/MIN	1	1)
6	00 0972 115 0	BUSHING	21X35X15	2	
7	00 0212 191 0	CONTACT WASHER	A20	2	
8	00 0242 478 0	HEXAGON HEAD BOLT	M20X50	2	
9	00 0971 934 0	STRAP	100X12X180	2	
10	00 0971 958 0	PIN	D 40 X 133	1	
11	00 0244 585 0	SPRING PIN	12 X 60	2	
12	00 0239 389 0	CONTACT WASHER	A12	1	
13	00 0239 160 0	HEXAGON HEAD BOLT	M12X35-MKL	1	
14	00 0972 011 0	DRIVE SHAFT		1	2)
15	00 0233 214 0	SOCKET HEAD SCREW	M12X 50	8	
16	00 0233 323 0	LOCK NUT	M12	8	
17	00 0972 110 0	RUBBER PAD	D60X40	1	
18	00 0963 402 0	GUARD CUP		1	
19	00 0970 759 1	DRIVE SHAFT		1	3)
19	00 0970 758 1	UNIV.DRIVE SHAFT		1	4)
20	00 0971 953 0	SPUR GEARBOX		1	5)

1) Remarks single parts plate 7

2) Remarks single parts plate 89

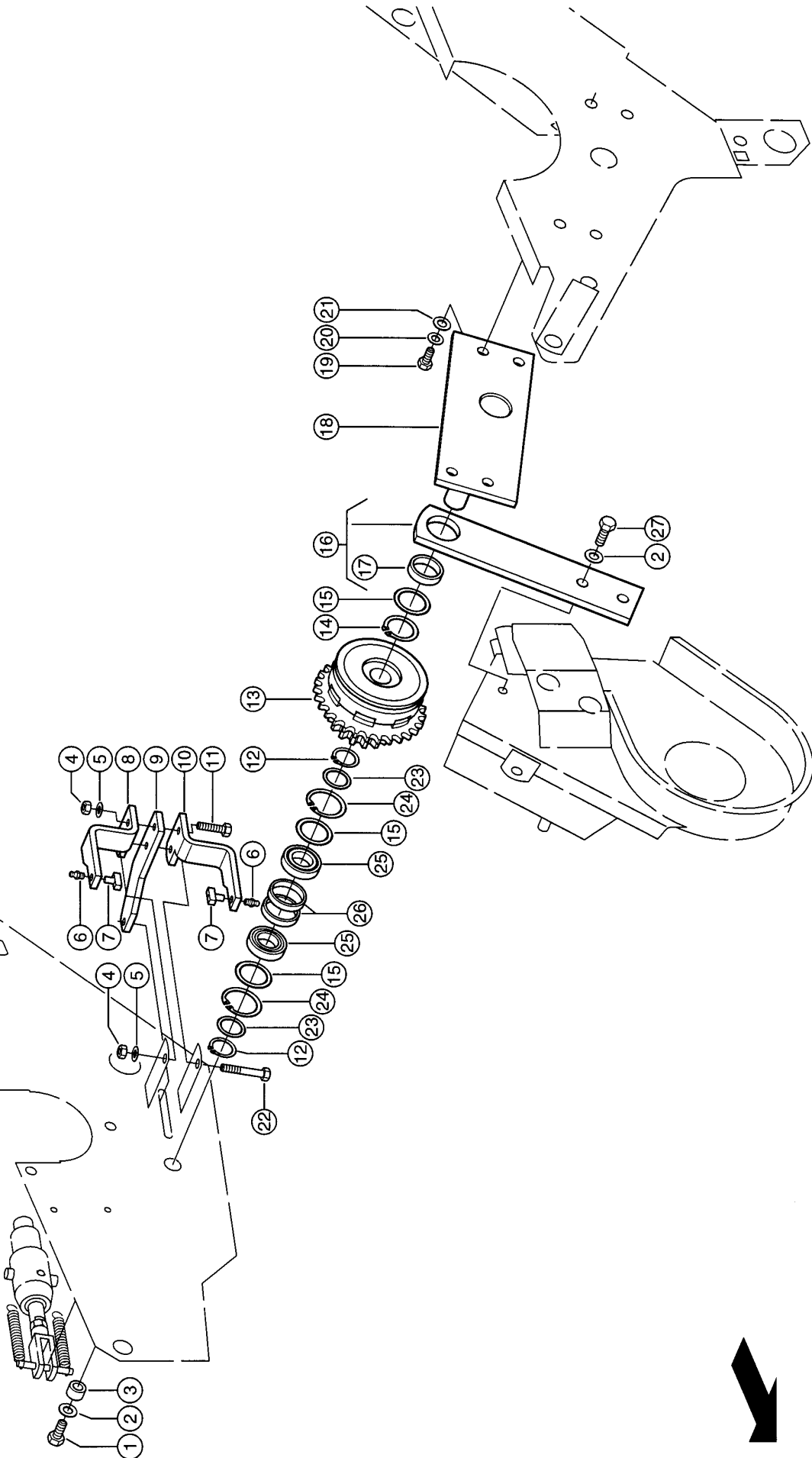
3) Remarks single parts plate 90

4) Remarks single parts plate 92

5) Remarks single parts plate 8

2

CLAAS



QUANTUM 5500 S / 4500 S



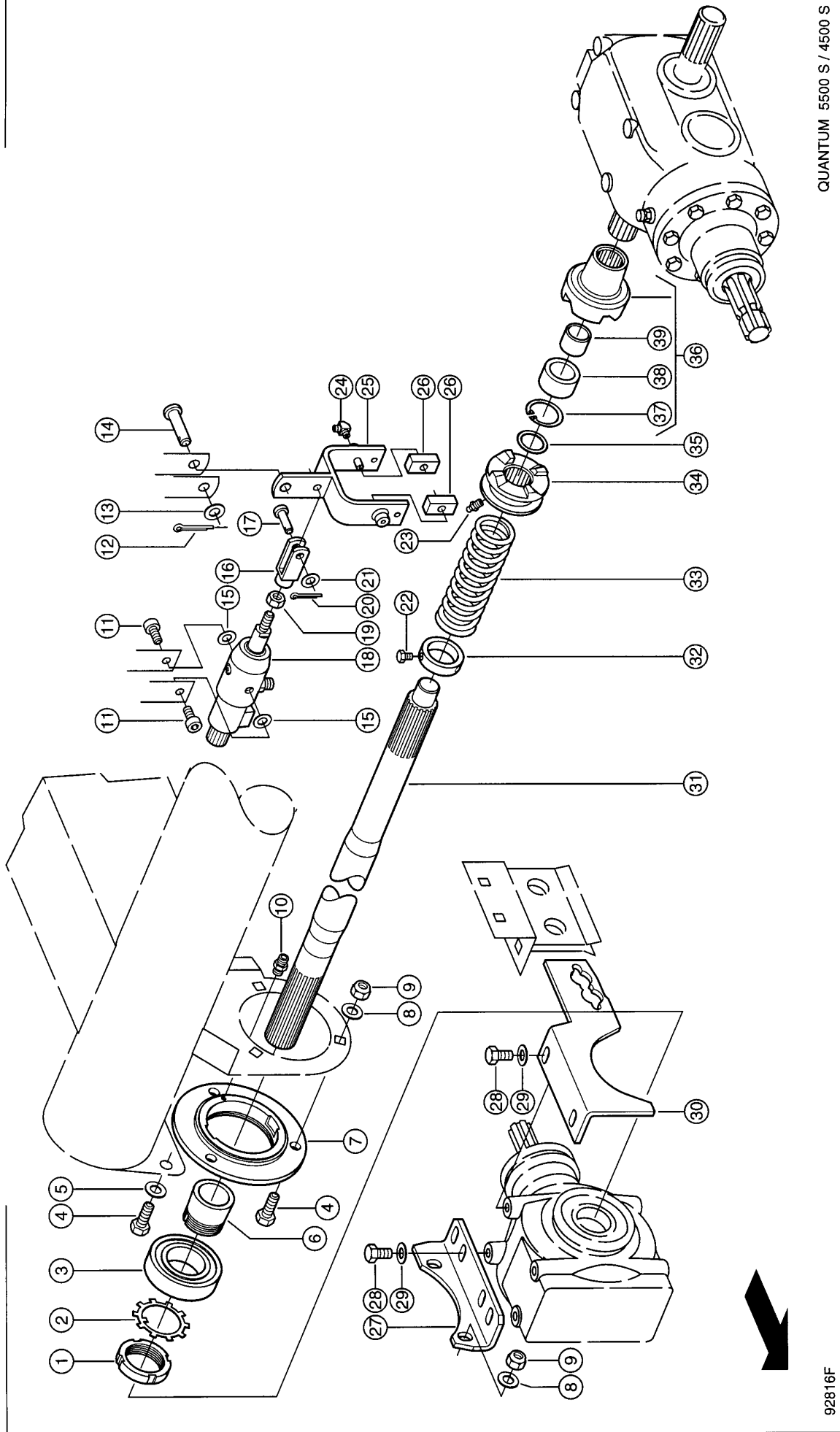
92805F

DRIVE R.H.

Pos.	Part No.	Description	Dimension	Quantity	Conditions
1	00 0233 441 0	HEXAGON HEAD BOLT	M16X30-MKL	1	
2	00 0239 391 0	CONTACT WASHER	A16	1	
3	00 0963 598 0	BUSHING	25X 4X 14	1	
4	00 0236 171 0	HEXAGONAL NUT	M10	2	
5	00 0215 683 0	WASHER	10,5	4	
6	00 0236 944 0	GREASE NIPPLE	C S6X1	2	
7	00 0972 384 0	GLIDING BLOCK	D28X25	2	
8	00 0972 079 0	JIB	10X77X233	1	
9	00 0972 078 1	LEVER	10X80X200	1	
10	00 0972 080 0	JIB	10X77X233	1	
11	00 0235 533 0	HEX.HEAD BOLT	M10X45	1	
12	00 0235 164 0	CIRCLIP	35X1,5	2	
13	00 0972 383 0	OVERLOAD CLUTCH		1	
14	00 0237 862 0	CIRCLIP	50X2	1	
15	00 0238 198 0	BACK-UP WASHER	S 50X62X3	3	
16	00 0963 596 0	BEARING PLATE		1	
17	00 0961 124 0	BEARING BUSH	50X 55X 10	1	
18	00 0963 588 0	SHAFT		1	
19	00 0237 461 0	HEXAGON HEAD BOLT	M12X30	4	
20	00 0239 389 0	CONTACT WASHER	A12	4	
21	00 0211 394 0	WASHER	13X35X5	4	
22	00 0235 538 0	HEXAGON HEAD BOLT	M10X70	1	
23	00 0234 385 0	BACK-UP WASHER	S 35X45	2	
24	00 0235 184 0	CIRCLIP	62X2	2	
25	00 0238 201 0	GRVD.BALL BEARING	6007 LLU/5K	2	
26	00 0961 288 0	SPACER RING	53,9X60,3X 10	2	
27	00 0235 821 0	HEXAGON HEAD BOLT	M16X40	2	

3

CLAAS



QUANTUM 5500 S / 4500 S

92816F

SWITCHGEAR FOR BEATER DRUMS

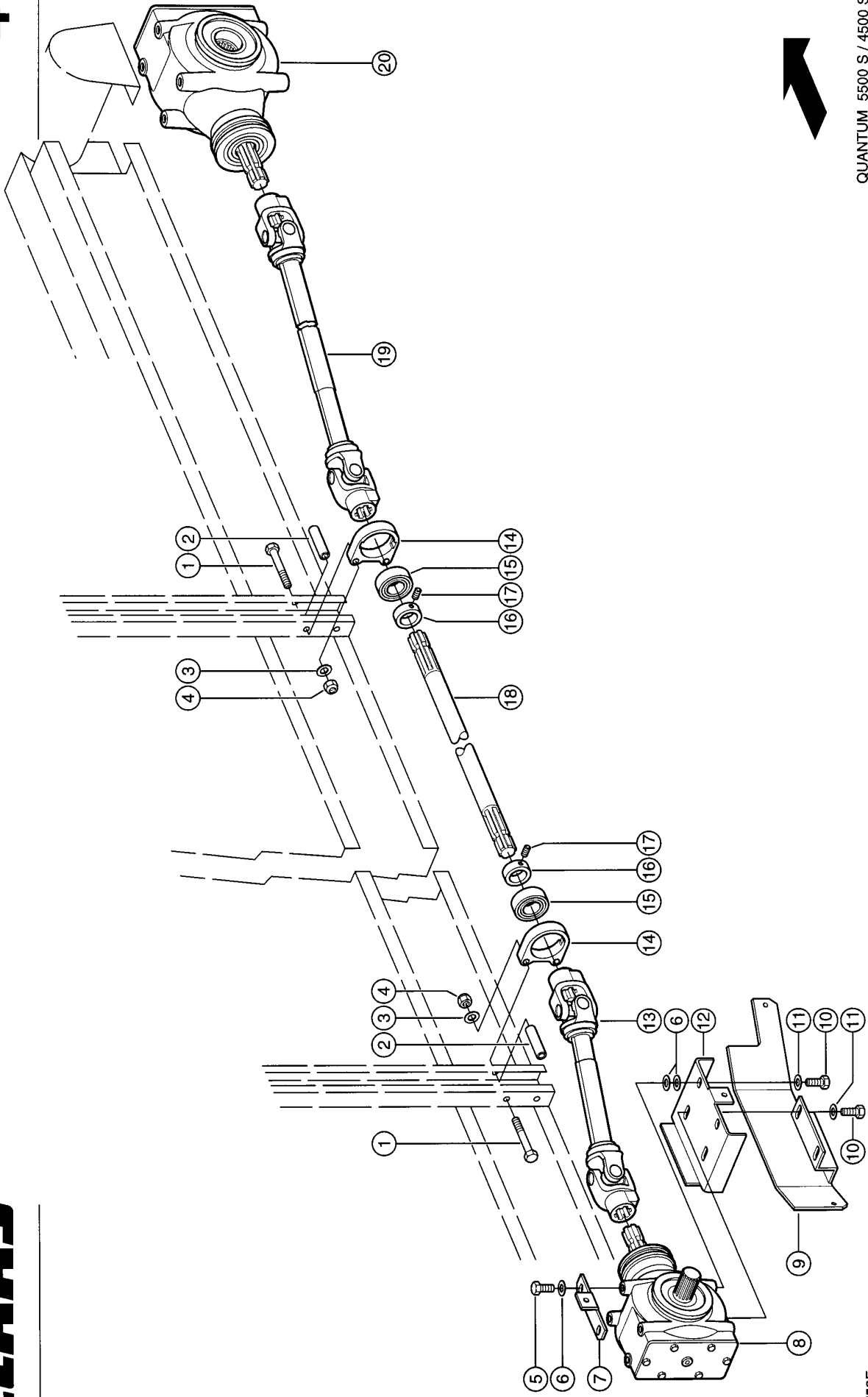
Pos.	Part No.	Description	Dimension	Quantity	Conditions
1	00 0642 366 0	SLOTTED NUT	M55X2	1	
2	00 0642 367 1	LOCKING PLATE	55	1	
3	00 0212 581 0	GRVD.BALL BEARING	P6311K-2S 2RSR	1	
4	00 0235 821 0	HEXAGON HEAD BOLT	M16X40	5	
5	00 0235 127 2	WASHER	16 - 17X30X3	2	
6	00 0212 582 0	TAPER LOCK SLEEVE	H 311-SA OMUS	1	
7	00 0963 413 1	BEARING HOUSING	215X 30	1	
8	00 0239 391 0	CONTACT WASHER	A16	5	
9	00 0238 047 0	LOCK NUT	M16	5	
10	00 0239 156 0	SCREW-IN FITTING	LL 5-M8X1 KEG	1	
11	00 0233 407 0	SOCKET HEAD SCREW	M10X 16-MKL	2	
12	00 0237 026 0	SPLIT PIN	5X32	2	
13	00 0940 015 8	WASHER	10,5X 40 X4	2	
14	00 0949 574 0	PIN	D16H9X 70	1	
15	00 0239 388 0	CONTACT WASHER	A10-10,2X22,25X1,6	2	
16	00 0629 569 0	FORK HEAD	G 10X40-M12	1	
17	00 0632 133 0	PIN	B-10A12X28X4,5	1	
18	00 0084 772 3	HYDR. CYLINDER		1	1)
19	00 0236 456 0	HEXAGONAL NUT	M12	1	
20	00 0235 089 0	SPLIT PIN	4 X 22	1	
21	00 0238 292 0	WASHER	10,5X 22 X1	1	
22	00 0238 375 0	THREADED PIN	M10X16	2	
23	00 0236 942 0	GREASE NIPPLE	A S6X1	2	
24	00 0233 884 0	ANGLE UNION	SDE-LL5-M8X1-TYPE C1		
25	00 0970 971 0	SHIFT FORK		1	
26	00 0970 976 0	GLIDING BLOCK	45X15X 22,5	2	
27	00 0971 431 2	ANGLE	8X118X232	1	
28	00 0090 040 0	HEXAGON HEAD BOLT	M14X25	6	
29	00 0239 390 0	CONTACT WASHER	A14	6	
30	00 0972 023 0	SUPPORT	8X177X337	1	
31	00 0971 377 0	SHAFT	55X 960	1	
32	00 0970 929 0	ADJUSTING RING	E50E8X65X15M10	1	
33	00 0629 981 0	COMPRESS.SPRING	5,6 X 58,6X226	1	
34	00 0970 943 0	CONTROL SLEEVE	100X 58	1	
35	00 0234 385 0	BACK-UP WASHER	S 35X45	1	
36	00 0963 644 1	SLEEVE		1	
37	00 0212 703 0	CIRCLIP	56X2	1	
38	00 0963 408 0	BUSHING	39H7X56J6X 30	1	
39	00 0211 400 0	GLIDE BEARING	35X39X30	1	

1) Remarks

single parts plate 68

4

QUANTUM 5500 S / 4500 S



CLAAS

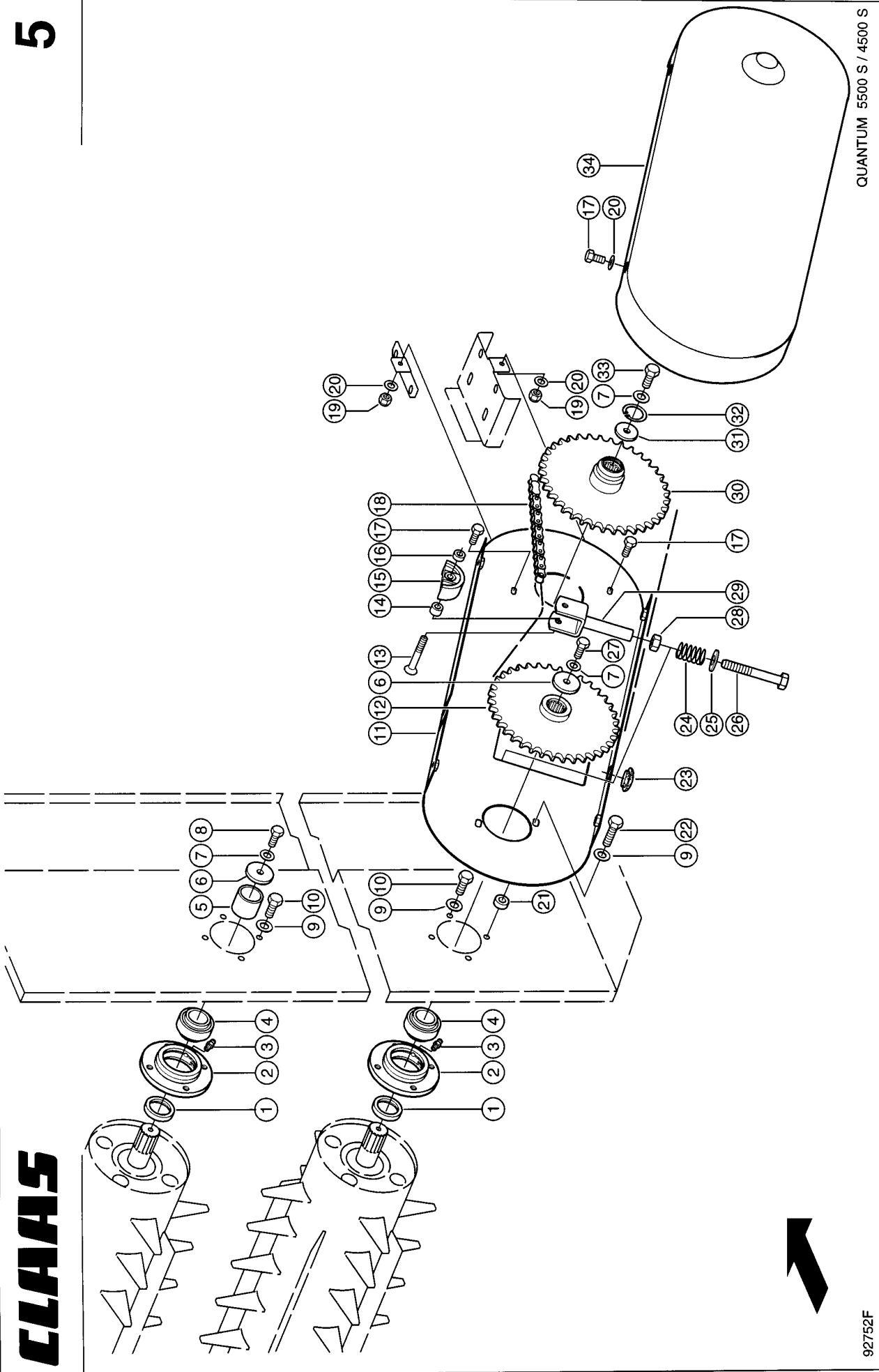
DRIVE FOR BEATER DRUMS

Pos.	Part No.	Description	Dimension	Quantity	Conditions
1	00 0235 545 0	HEXAGON HEAD BOLT	M10X120	2	
2	00 0971 433 0	SPACER		2	
3	00 0233 658 0	CONICAL SPRING WASHER	10 -10,5X23X2,5	2	
4	00 0237 947 0	HEX. NUT WITH CLAMP. PART	M10	2	
5	00 0236 056 0	HEXAGON HEAD BOLT	M12X25	2	
6	00 0239 389 0	CONTACT WASHER	A12	8	
7	00 0971 430 0	ANGLE	4 X 66X 154	1	
8	00 0971 439 0	ANGLE DRIVE	GT-41LB-1.93:1	1	1)
9	00 0972 014 0	DEFLECTOR PLATE	4X226X533	1	
10	00 0211 057 1	HEXAGON HEAD BOLT	M12X35-MKL	4	
11	00 0236 843 0	WASHER	13X30X1,5	2	
12	00 0971 427 1	SUPPORTING PLATE	8 X 196X 241	1	
13	00 0971 479 0	DRIVE SHAFT		1	
14	00 0968 757 0	BEARING HOUSING		4	
15	00 0930 649 0	TENSION BEARING	YEN 207-S	4	
16	00 0616 067 1	LOCK COLLAR	35	4	
17	00 0235 687 0	SPRING PIN	8X90 ERSATZ 2356871	8	
18	00 0971 447 0	DRIVE SHAFT	D35H8X3564	1	2)
18	00 0971 444 0	DRIVE SHAFT	D35H8X2472	1	3)
19	00 0971 478 1	DRIVE SHAFT		1	
20	00 0971 438 0	ANGLE DRIVE	GT-51H-3.18:1	1	4)

1)	Remarks	single parts plate 12
2)	Remarks	5500S
3)	Remarks	4500S
4)	Remarks	single parts plate 11

5

QUANTUM 5500 S / 4500 S

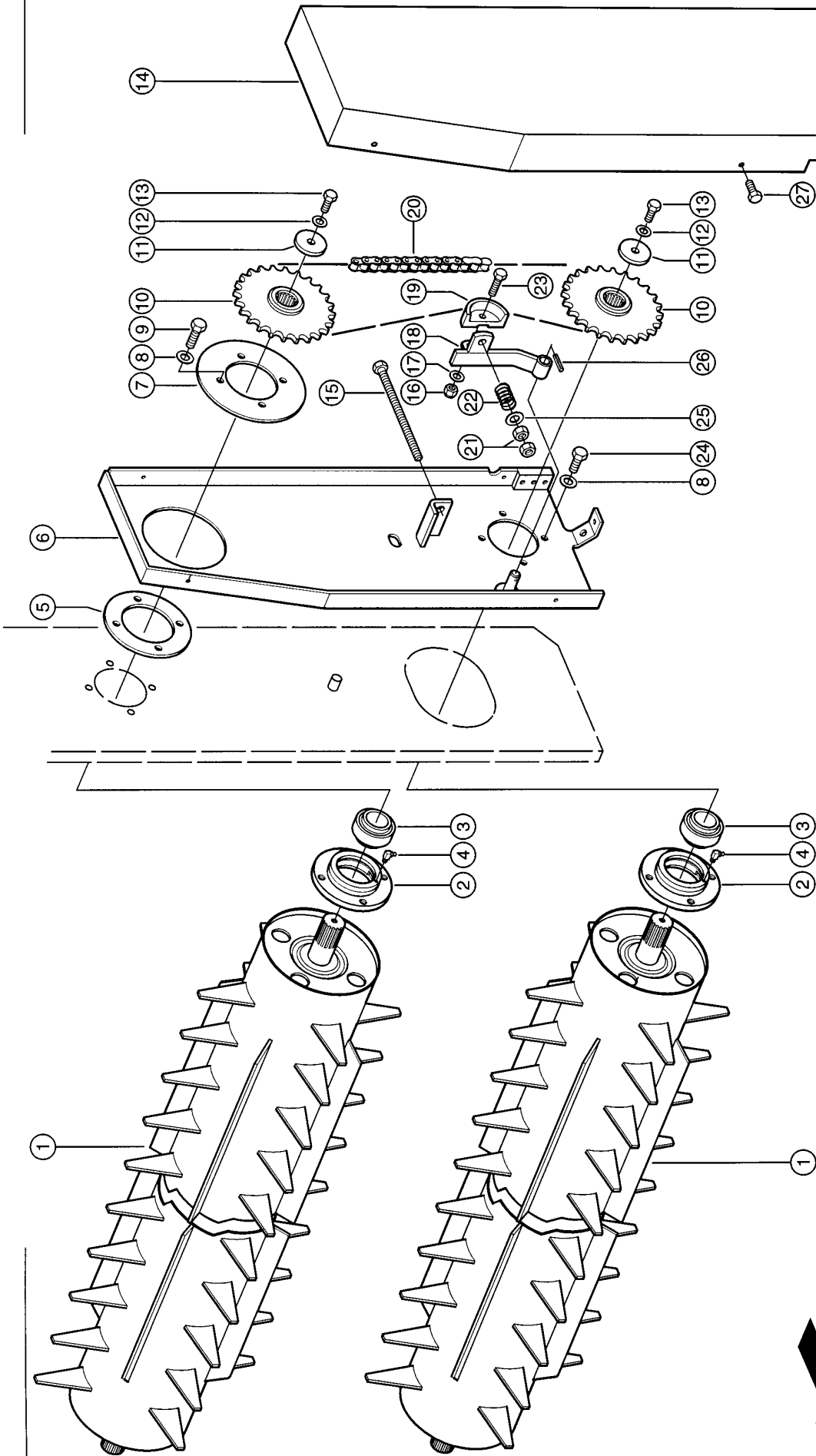


DRIVE FOR BEATER DRUMS R.H.

Pos.	Part No.	Description	Dimension	Quantity	Conditions
1	00 0963 437 0	SPACER RING	50X 65X 12	2	
2	00 0963 433 0	BEARING FLANGE	D85X165X32	2	
3	00 0239 156 0	SCREW-IN FITTING	LL 5-M8X1 KEG	2	
4	00 0238 389 0	LOCK COLLAR BEAR.	YEL 209-S	2	
5	00 0972 183 0	SPACER BUSH	D57X6,3X50	1	
6	00 0233 031 0	WASHER	13X62X6	2	
7	00 0239 394 1	CONTACT WASHER	B10	1	
8	00 0233 000 0	HEXAGON HEAD BOLT	M10X25-MKL	2	
9	00 0239 389 0	CONTACT WASHER	A12	8	
10	00 0236 056 0	HEXAGON HEAD BOLT	M12X25	6	
11	00 0971 455 0	FLOOR PLATE		1	
12	00 0971 373 0	SPROCKET		1	
13	00 0216 192 0	COUNTERSUNK BOLT	M10X 70	1	
14	00 0914 976 0	BUSHING		1	
15	00 0927 321 0	TIGHTENING PIECE		1	
16	00 0900 573 0	SPACER TUBE	458-900.0-62	1	
17	00 0236 200 0	HEXAGON HEAD BOLT	M8X20	2	
18	00 0213 996 0	ROLLER CHAIN	16B-1X103 L-E	1	
19	00 0238 132 0	LOCK NUT	M8	2	
20	00 0239 387 0	CONTACT WASHER	A8-8,2X18X1,4	2	
21	00 0905 163 1	WASHER	D25H9X 12	2	
22	00 0237 462 0	HEXAGON HEAD BOLT	M12X40	2	
23	00 0244 079 0	PLUG	D10,7-F	1	
24	00 0927 210 0	COMPRESS.SPRING	3,2 X 20 X33,5	1	
25	00 0236 949 0	WASHER	16,5X28X3	1	
26	00 0237 380 0	HEXAGON HEAD BOLT	M16X140	1	
27	00 0233 396 0	HEXAGON HEAD BOLT	M10X30-MKL	1	
28	00 0236 173 0	HEXAGONAL NUT	M16	1	
29	00 0972 044 0	BEARING SUPPORT		1	
30	00 0971 421 0	SPROCKET	37 Z.	1	
31	00 0971 422 0	WASHER		1	
32	00 0242 881 0	CIRCLIP	45X1,75	1	
33	00 0239 049 0	HEXAGON HEAD BOLT	M12X30-MKL	1	
34	00 0971 457 0	COVER PLATE		1	

6

QUANTUM 5500 S / 4500 S



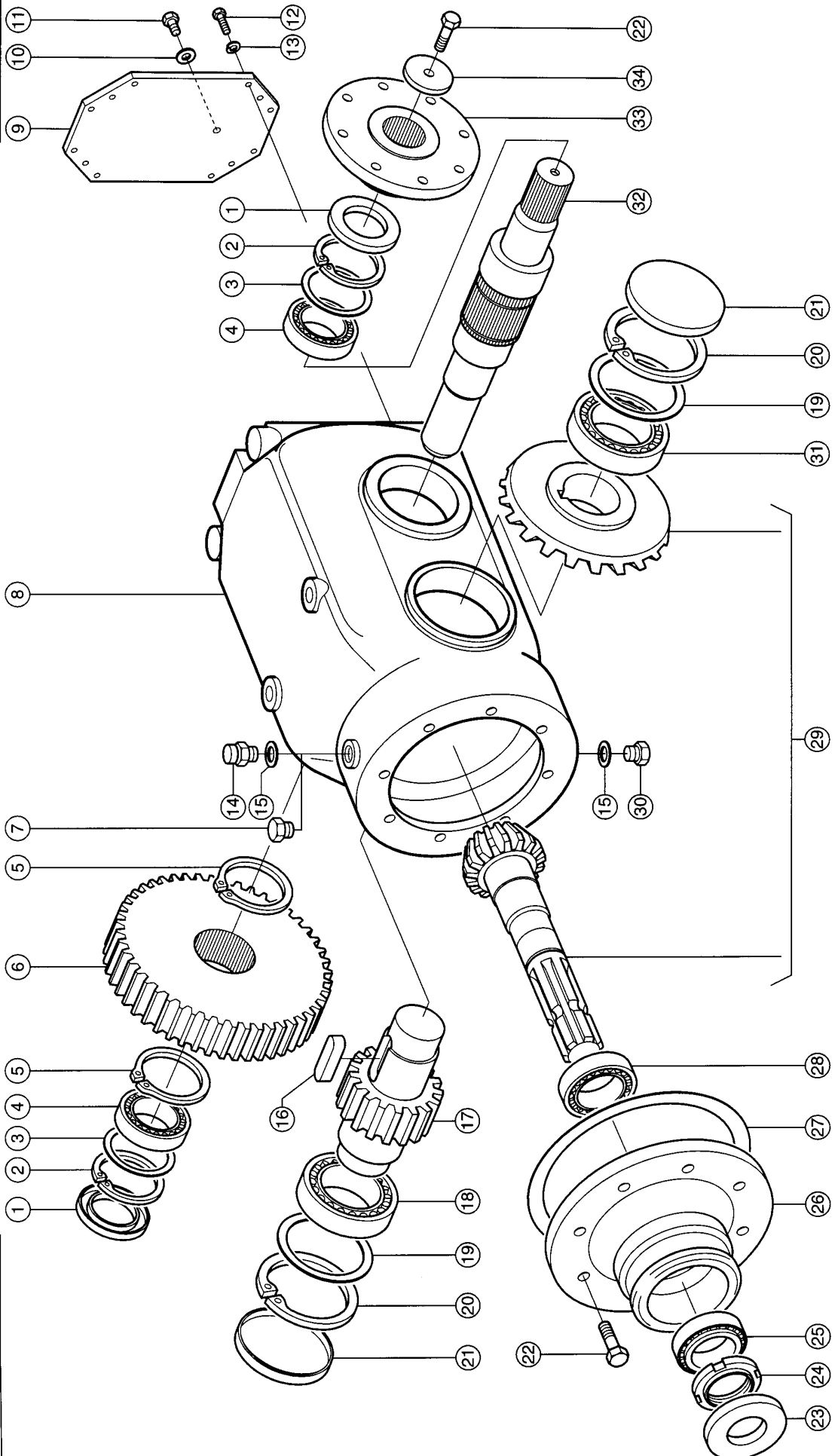
CLAAS

92751F

DRIVE FOR BEATER DRUMS L.H.

Pos.	Part No.	Description	Dimension	Quantity	Conditions
1	00 0971 367 0	BEATER		2	
2	00 0963 449 0	BEARING FLANGE	D72X160X31	2	
3	00 0233 618 0	LOCK COLLAR BEAR.	YEL 207-S	2	
4	00 0244 948 0	GREASE NIPPLE	C M8X1	2	
5	00 0970 699 0	WASHER	169,6X 6	1	
6	00 0971 372 1	SWING	U	1	
7	00 0970 724 0	RETAINING RING	220,0X 5	1	
8	00 0239 389 0	CONTACT WASHER	A12	8	
9	00 0237 372 0	HEXAGON HEAD BOLT	M12X 55	4	
10	00 0971 375 0	SPROCKET	24Z.	2	
11	00 0233 031 0	WASHER	13X62X6	2	
11	00 0970 965 0	WASHER	13X 60X 8	2	
12	00 0239 394 1	CONTACT WASHER	B10	2	
13	00 0233 000 0	HEXAGON HEAD BOLT	M10X25-MKL	2	
14	00 0971 440 1	COVER PLATE	1,5 X 539X1338	1	
15	00 0244 422 0	HEXAGON HEAD SCREW	M12X220	1	
16	00 0237 947 0	HEX. NUT WITH CLAMP. PART	M10	1	
17	00 0239 388 0	CONTACT WASHER	A10-10,2X22,25X1,6	1	
18	00 0963 744 0	CHAIN TENSIONER		1	
19	00 0927 321 0	TIGHTENING PIECE		1	
20	00 0212 605 0	ROLLER CHAIN	16B-1X 80 E	1	
21	00 0236 172 0	HEXAGONAL NUT	M12	2	
22	00 0927 210 0	COMPRESS.SPRING	3,2 X 20 X33,5	1	
23	00 0235 532 0	HEX.HEAD BOLT	M10X40	1	
24	00 0236 056 0	HEXAGON HEAD BOLT	M12X25	4	
25	00 0235 124 3	FLAT WASHER	12- 13X24X2,5	1	
26	00 0213 878 0	SPRING PIN	6 X 32	1	
27	00 0237 439 0	HEXAGON HEAD BOLT	M8X16	4	

7



QUANTUM 5500 S / 4500 S

CLAAS

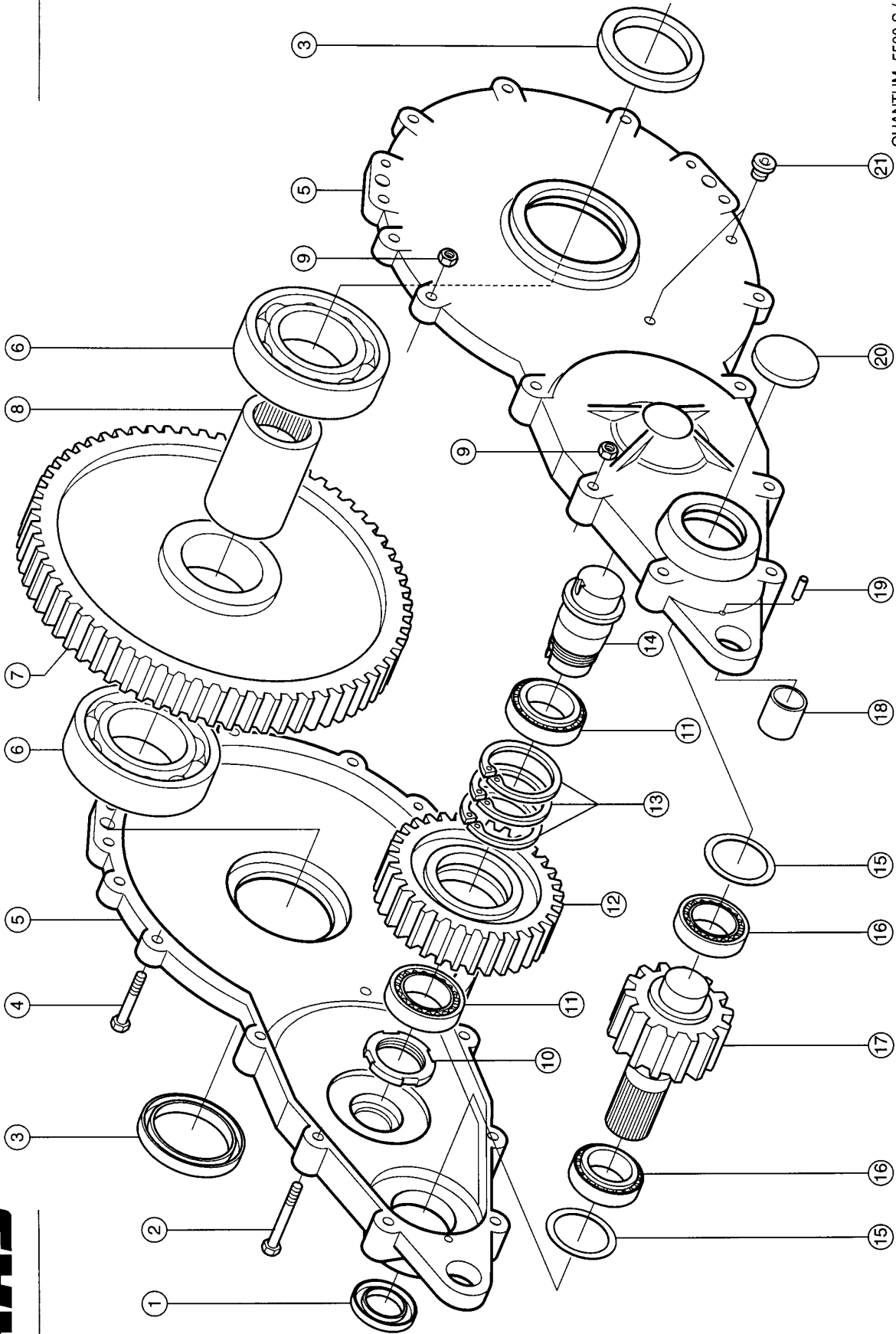
92747R

GEARBOX

Pos.	Part No.	Description	Dimension	Quantity	Conditions
1	00 0972 140 0	MAIN GEARBOX	1000 U/MIN	1	

8

QUANTUM 5500 S / 4500 S



CLAAS

92749R

Thank you so much for reading.
Please click the “Buy Now!”
button below to download the
complete manual.



After you pay.

You can download the most
perfect and complete manual in
the world immediately.

Our support email:

ebooklibonline@outlook.com