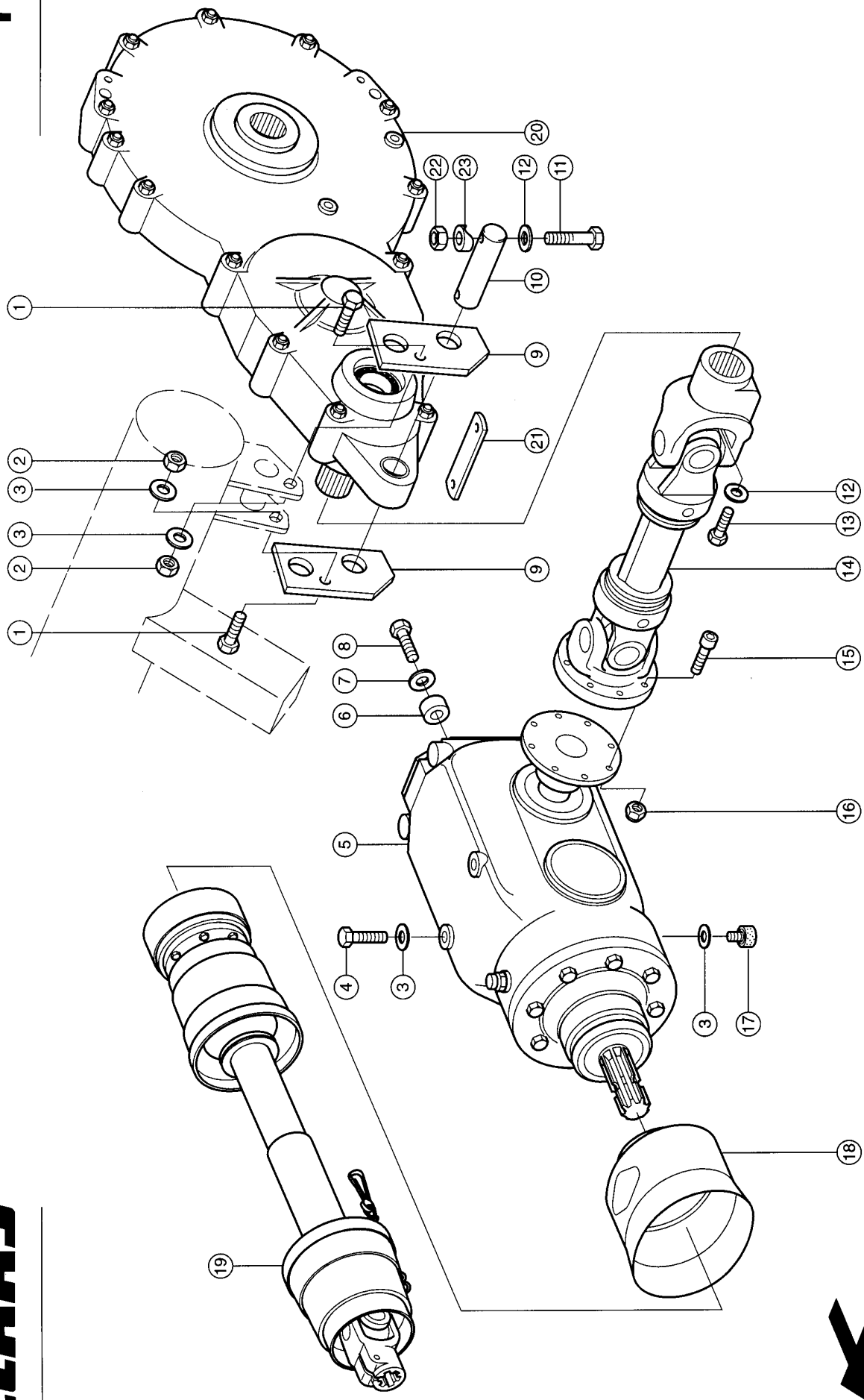


1



QUANTUM 5500 S / 4500 S

**CLAAS**



92718R/01

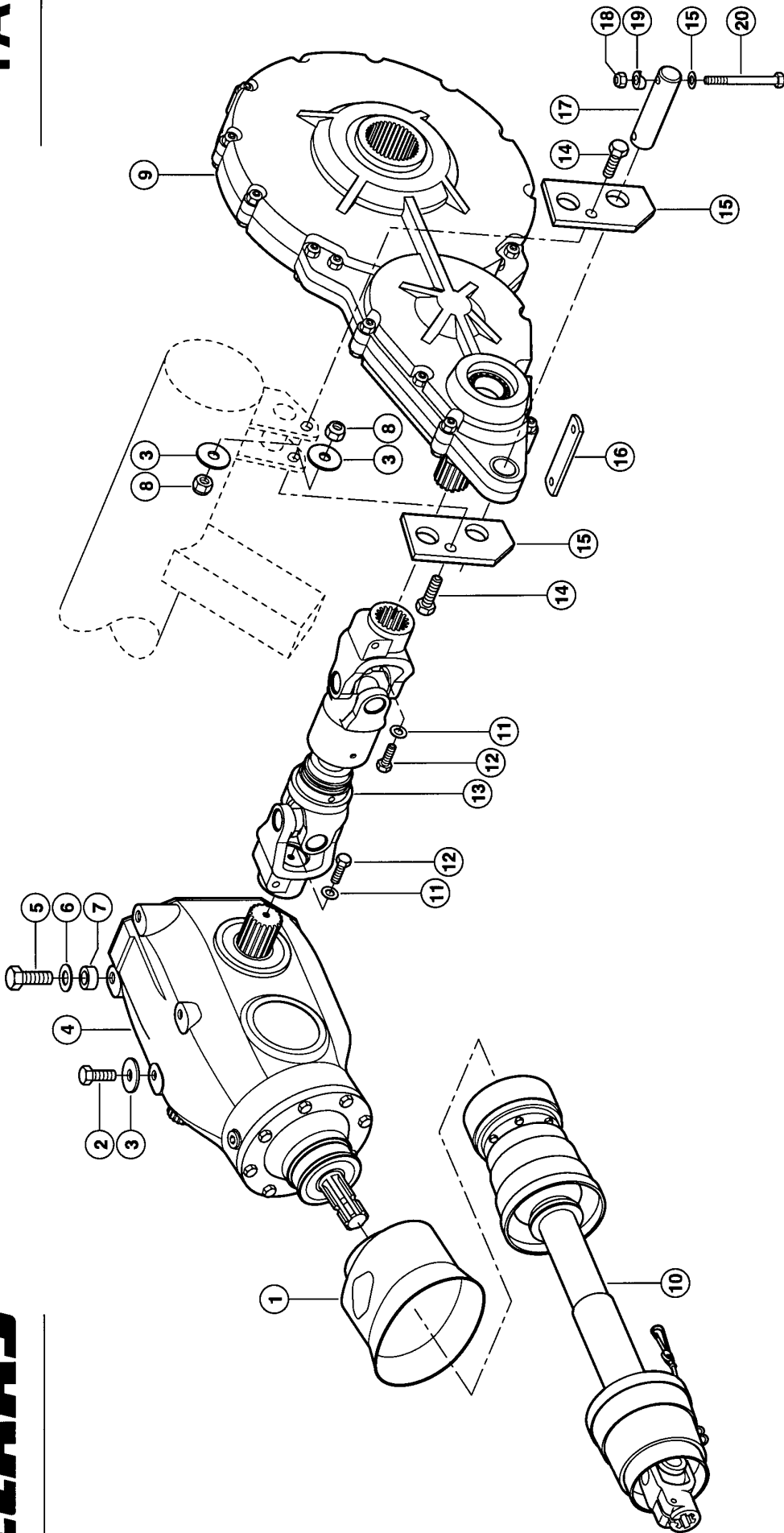
**MAIN DRIVE 1)**

Pos.	Part No.	Description	Dimension	Quantity	Conditions
1	<b>00 0235 587 0</b>	HEXAGON HEAD BOLT	M16-55	2	
2	<b>00 0238 047 0</b>	LOCK NUT	M16	2	
3	<b>00 0233 325 0</b>	WASHER	17X50X4	4	
4	<b>00 0238 952 0</b>	HEXAGON HEAD BOLT	M16X45-MKL	2	
5	<b>00 0972 140 0</b>	MAIN GEARBOX	1000 U/MIN	1	2)
6	<b>00 0972 115 0</b>	BUSHING	21X35X15	2	
7	<b>00 0212 191 0</b>	CONTACT WASHER	A20	2	
8	<b>00 0242 478 0</b>	HEXAGON HEAD BOLT	M20X50	2	
9	<b>00 0971 934 1</b>	STRAP	100X12X180	2	
9	<b>00 0972 865 0</b>	STRAP	12X 118X 127	2	3)
10	<b>00 0971 958 1</b>	PIN	D 40 X 151	1	
11	<b>00 0242 380 0</b>	HEXAGON HEAD BOLT	M12X120	2	
11	<b>00 0242 381 0</b>	HEXAGON HEAD BOLT	M12X130	2	3)
12	<b>00 0239 389 0</b>	CONTACT WASHER	A12	2	
13	<b>00 0239 160 0</b>	HEXAGON HEAD BOLT	M12X35-MKL	1	
14	<b>00 0972 011 0</b>	DRIVE SHAFT		1	4)
15	<b>00 0233 214 0</b>	SOCKET HEAD SCREW	M12X 50	8	
16	<b>00 0233 323 0</b>	LOCK NUT	M12	8	
17	<b>00 0972 110 0</b>	RUBBER PAD	D60X40	1	
18	<b>00 0963 402 0</b>	GUARD CUP		1	
19	<b>00 0972 141 1</b>	DRIVE SHAFT		1	5)
19	<b>00 0972 143 1</b>	UNIV.DRIVE SHAFT		1	6)
20	<b>00 0971 953 0</b>	SPUR GEARBOX		1	7)
20	<b>00 0973 112 0</b>	SPUR GEARBOX	22.5 ZOLL	1	7)
21	<b>00 0972 694 0</b>	STRAP	40X 12X 165	1	
22	<b>00 0238 234 0</b>	LOCK NUT	M12	2	
23	<b>00 0909 568 2</b>	TUBE SADDLE	D 13 / R21	2	

<b>1) Remarks</b>	Quantum 5500 S-18 / 5500 S-16 5500 S / 4500 S
<b>2) Remarks</b>	single parts plate 7
<b>3) Remarks</b>	5500S-18
<b>4) Remarks</b>	single parts plate 92
<b>5) Remarks</b>	single parts plate 99
<b>6) Remarks</b>	Components on illustration 97b
<b>7) Remarks</b>	single parts plate 8

1A

QUANTUM 6800 S



**CLAAS**



**MAIN DRIVE 1)**

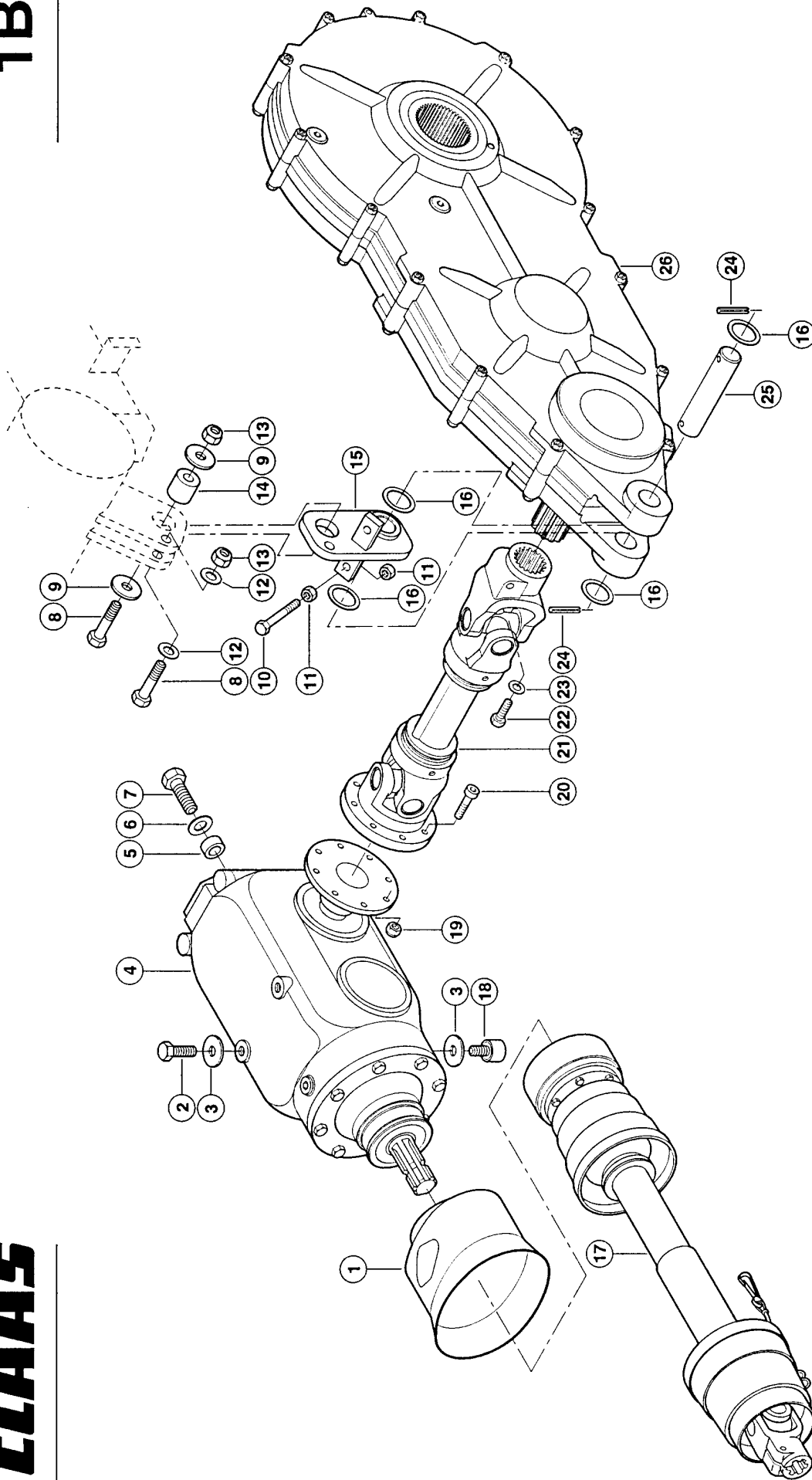
Pos.	Part No.	Description	Dimension	Quantity	Conditions
1	<b>00 0963 402 0</b>	GUARD CUP		1	
2	<b>00 0238 952 0</b>	HEXAGON HEAD BOLT	M16X45-MKL	2	
3	<b>00 0233 325 0</b>	WASHER	17X50X4	2	
4	<b>00 0973 300 0</b>	MAIN GEARBOX	1000 U/MIN	1	2)
5	<b>00 0234 839 0</b>	HEXAGON HEAD BOLT	M16X60-MKL	2	
6	<b>00 0212 191 0</b>	CONTACT WASHER	A20	2	
7	<b>00 0938 007 0</b>	BUSHING		2	
8	<b>00 0238 047 0</b>	LOCK NUT	M16	2	
9	<b>00 0973 301 1</b>	SPUR GEARBOX		1	3)
10	<b>00 0973 403 1</b>	UNIV.DRIVE SHAFT		1	4)
11	<b>00 0239 389 0</b>	CONTACT WASHER	A12	2	
12	<b>00 0239 160 0</b>	HEXAGON HEAD BOLT	M12X35-MKL	2	
13	<b>00 0973 408 0</b>	DRIVE SHAFT		1	5)
14	<b>00 0235 587 0</b>	HEXAGON HEAD BOLT	M16-55	2	
15	<b>00 0971 934 2</b>	STRAP	12X100X 195	2	
16	<b>00 0973 368 0</b>	STRAP	FL40X12X 196	1	
17	<b>00 0973 349 0</b>	PIN	RD40X181	1	
18	<b>00 0238 234 0</b>	LOCK NUT	M12	2	
19	<b>00 0909 568 2</b>	TUBE SADDLE	D 13 / R21	2	
20	<b>00 0242 381 0</b>	HEXAGON HEAD BOLT	M12X130	2	

<b>1) Remarks</b>	Quantum 6800 S / 5500 S-18
<b>2) Remarks</b>	single parts plate 7A
<b>3) Remarks</b>	single parts plate 8A
<b>4) Remarks</b>	Components on illustration 97c
<b>5) Remarks</b>	single parts plate 92A

1B

CLAAS

QUANTUM 5500 S-16



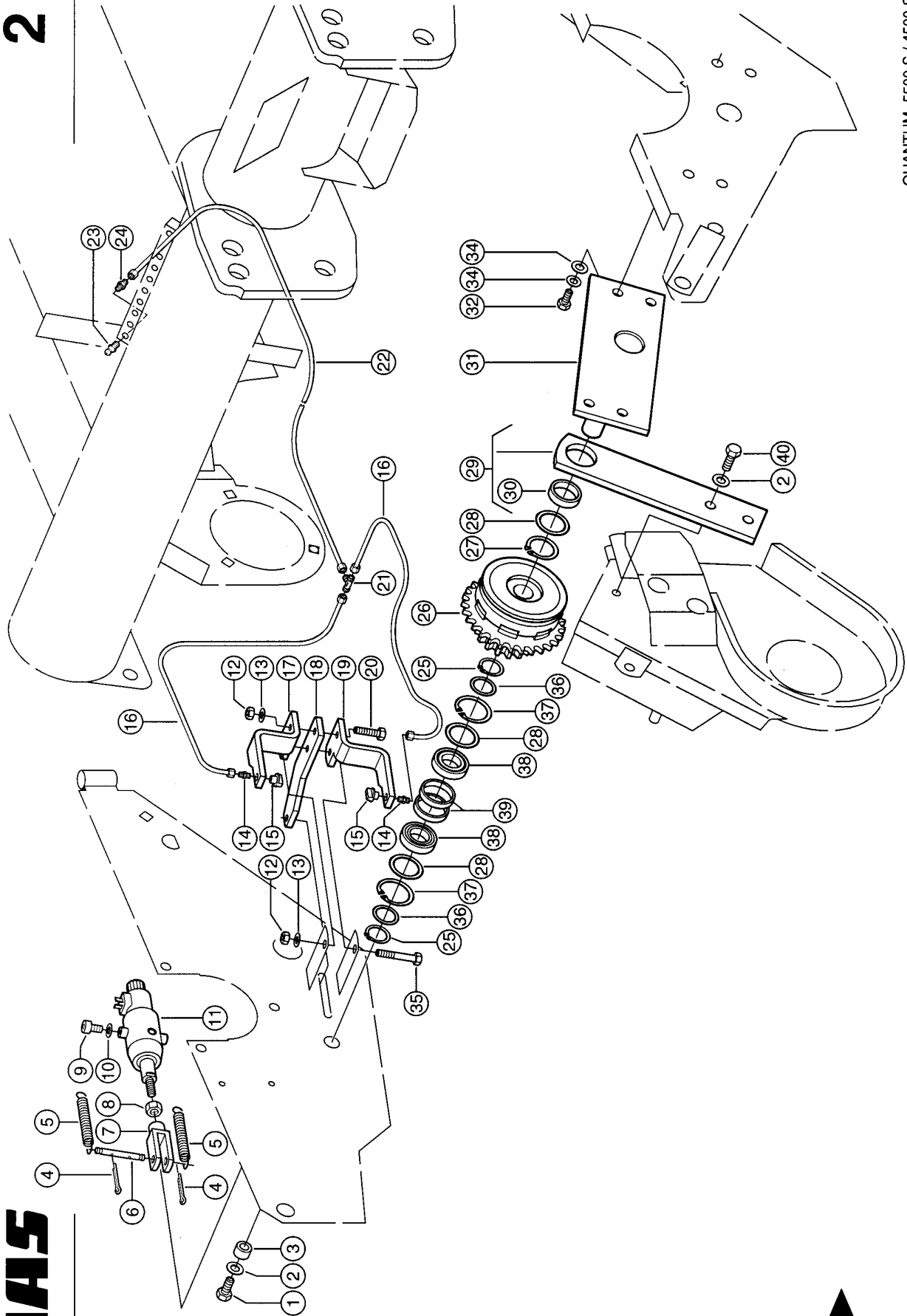
80072z00

**MAIN DRIVE 1)**

Pos.	Part No.	Description	Dimension	Quantity	Conditions
1	<b>00 0963 402 0</b>	GUARD CUP		1	
2	<b>00 0238 952 0</b>	HEXAGON HEAD BOLT	M16X45-MKL	2	
3	<b>00 0233 325 0</b>	WASHER	17X50X4	4	
4	<b>00 0972 140 0</b>	MAIN GEARBOX	1000 U/MIN	1	2)
5	<b>00 0972 115 0</b>	BUSHING	21X35X15	2	
6	<b>00 0212 191 0</b>	CONTACT WASHER	A20	2	
7	<b>00 0242 478 0</b>	HEXAGON HEAD BOLT	M20X50	2	
8	<b>00 0242 467 0</b>	HEXAGON HEAD BOLT	M16-70	2	
9	<b>00 0233 325 0</b>	WASHER	17X50X4	2	
10	<b>00 0244 419 0</b>	HEXAGON HEAD BOLT	M12X65	2	
11	<b>00 0236 172 0</b>	HEXAGONAL NUT	M12	4	
12	<b>00 0239 391 0</b>	CONTACT WASHER	A16	2	
13	<b>00 0238 047 0</b>	LOCK NUT	M16	2	
14	<b>00 0973 500 0</b>	BUSHING	D40X 38	1	
15	<b>00 0973 499 0</b>	SUPPORT		1	
16	<b>00 0236 860 0</b>	WASHER	40,3X51X1	4	
17	<b>00 0973 529 0</b>	UNIV.DRIVE SHAFT		1	3)
18	<b>00 0972 110 0</b>	RUBBER PAD	D60X40	1	
19	<b>00 0233 323 0</b>	LOCK NUT	M12	8	
20	<b>00 0233 214 0</b>	SOCKET HEAD SCREW	M12X 50	8	
21	<b>00 0972 011 0</b>	DRIVE SHAFT		1	4)
22	<b>00 0239 160 0</b>	HEXAGON HEAD BOLT	M12X35-MKL	1	
23	<b>00 0239 389 0</b>	CONTACT WASHER	A12	2	
24	<b>00 0235 681 2</b>	SPRING PIN	8X50-N	2	
25	<b>00 0973 495 0</b>	PIN	D37X165	1	
26	<b>00 0973 492 0</b>	SPUR GEARBOX		1	5)

<b>1) Remarks</b>	From Serial No. 614 0 2225 Up To Serial No. 614 0 2228
<b>2) Remarks</b>	single parts plate 7
<b>3) Remarks</b>	single parts illustration plate 100A
<b>4) Remarks</b>	single parts plate 92
<b>5) Remarks</b>	single parts plate 8 B

2



QUANTUM 5500 S / 4500 S

**CLAAS**



93008F

**DRIVE R.H. 1)**

Pos.	Part No.	Description	Dimension	Quantity	Conditions
1	<b>00 0233 441 0</b>	HEXAGON HEAD BOLT	M16X30-MKL	1	
2	<b>00 0239 391 0</b>	CONTACT WASHER	A16	1	
3	<b>00 0963 598 0</b>	BUSHING	25X 4X 14	1	
4	<b>00 0235 083 0</b>	SPLIT PIN	3,2X18	2	
5	<b>00 0750 308 0</b>	TENSION SPRING	3,5 X 19,5X 84	2	
6	<b>00 0972 076 1</b>	PIN	D10X90	1	
7	<b>00 0629 569 0</b>	FORK HEAD	G 10X40-M12	1	
8	<b>00 0236 456 0</b>	HEXAGONAL NUT	M12	1	
9	<b>00 0242 239 0</b>	SOCKET HEAD SCREW	M10X 16	2	
10	<b>00 0239 388 0</b>	CONTACT WASHER	A10-10,2X22,25X1,6	2	
11	<b>00 0084 772 3</b>	HYDR. CYLINDER		1	2)
12	<b>00 0236 171 0</b>	HEXAGONAL NUT	M10	2	
13	<b>00 0215 683 0</b>	WASHER	10,5	4	
14	<b>00 0213 659 0</b>	SCREW-IN FITTING	SDE-LL6XM8X1-TYPE C (FOR	2	
15	<b>00 0972 384 2</b>	GLIDING BLOCK	D28X25	2	
16	<b>00 0972 696 0</b>	GREASE PIPE	1HPA DN4	2	
17	<b>00 0972 079 3</b>	JIB	N(LL06)N(LL06)	1	
18	<b>00 0972 078 2</b>	LEVER	10X77X360	1	
19	<b>00 0972 080 2</b>	JIB	10X80X225	1	
20	<b>00 0972 080 2</b>	JIB	10X77X239	1	
20	<b>00 0235 533 0</b>	HEX.HEAD BOLT	M10X45	1	
21	<b>00 0213 618 0</b>	T-UNION SUPPORT	T-LL6	1	
22	<b>00 0972 697 1</b>	GREASE PIPE	DN4 LL6 2000 NN	1	
23	<b>00 0179 838 0</b>	GREASE NIPPLE	A M8X1	1	
24	<b>00 0213 613 0</b>	SCREW-IN FITTING	SDS LL6 X M8X1 TYP C1	1	
25	<b>00 0235 164 0</b>	CIRCLIP	35X1,5	2	
26	<b>00 0972 383 0</b>	OVERLOAD CLUTCH		1	3)
27	<b>00 0237 862 0</b>	CIRCLIP	50X2	1	
28	<b>00 0238 198 0</b>	BACK-UP WASHER	S 50X62X3	3	
29	<b>00 0963 596 0</b>	BEARING PLATE		1	
30	<b>00 0961 124 0</b>	BEARING BUSH	50X 55X 10	1	
31	<b>00 0963 588 0</b>	SHAFT		1	
32	<b>00 0237 461 0</b>	HEXAGON HEAD BOLT	M12X30	4	
33	<b>00 0239 389 0</b>	CONTACT WASHER	A12	4	
34	<b>00 0211 394 0</b>	WASHER	13X35X5	4	
35	<b>00 0235 538 0</b>	HEXAGON HEAD BOLT	M10X70	1	
36	<b>00 0234 385 0</b>	BACK-UP WASHER	S 35X45	2	
37	<b>00 0235 184 0</b>	CIRCLIP	62X2	2	
38	<b>00 0238 201 0</b>	GRVD.BALL BEARING	6007 LLU/5K	2	
39	<b>00 0961 288 0</b>	SPACER RING	53,9X60,3X 10	2	
40	<b>00 0235 821 0</b>	HEXAGON HEAD BOLT	M16X40	2	

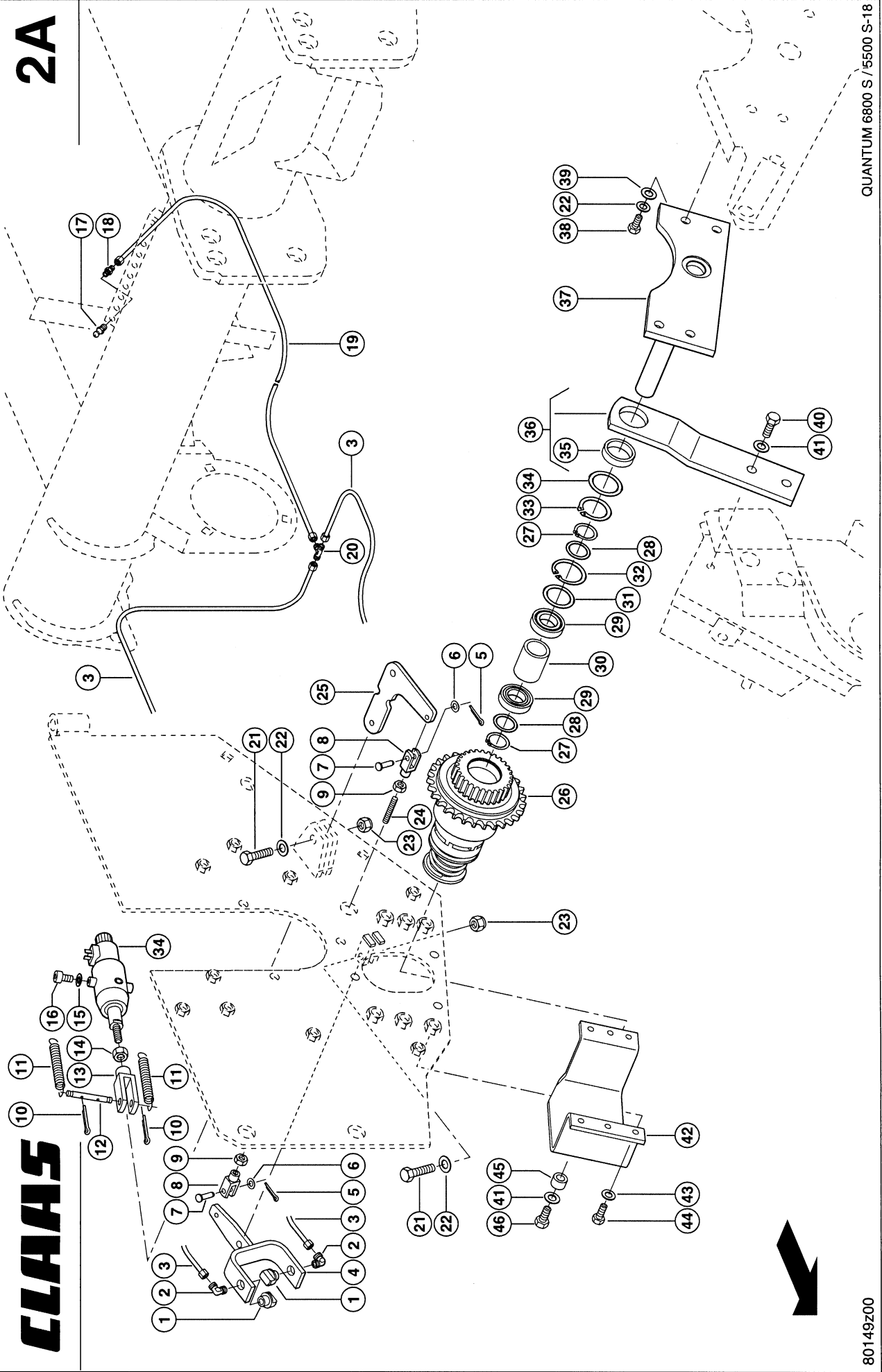
**1) Remarks** Up To Serial No. 614 0 2367

**2) Remarks** single parts plate 75

**3) Remarks** single parts plate 96



2A



QUANTUM 6800 S / 5500 S-18

80149z00

**DRIVE R.H. 1)**

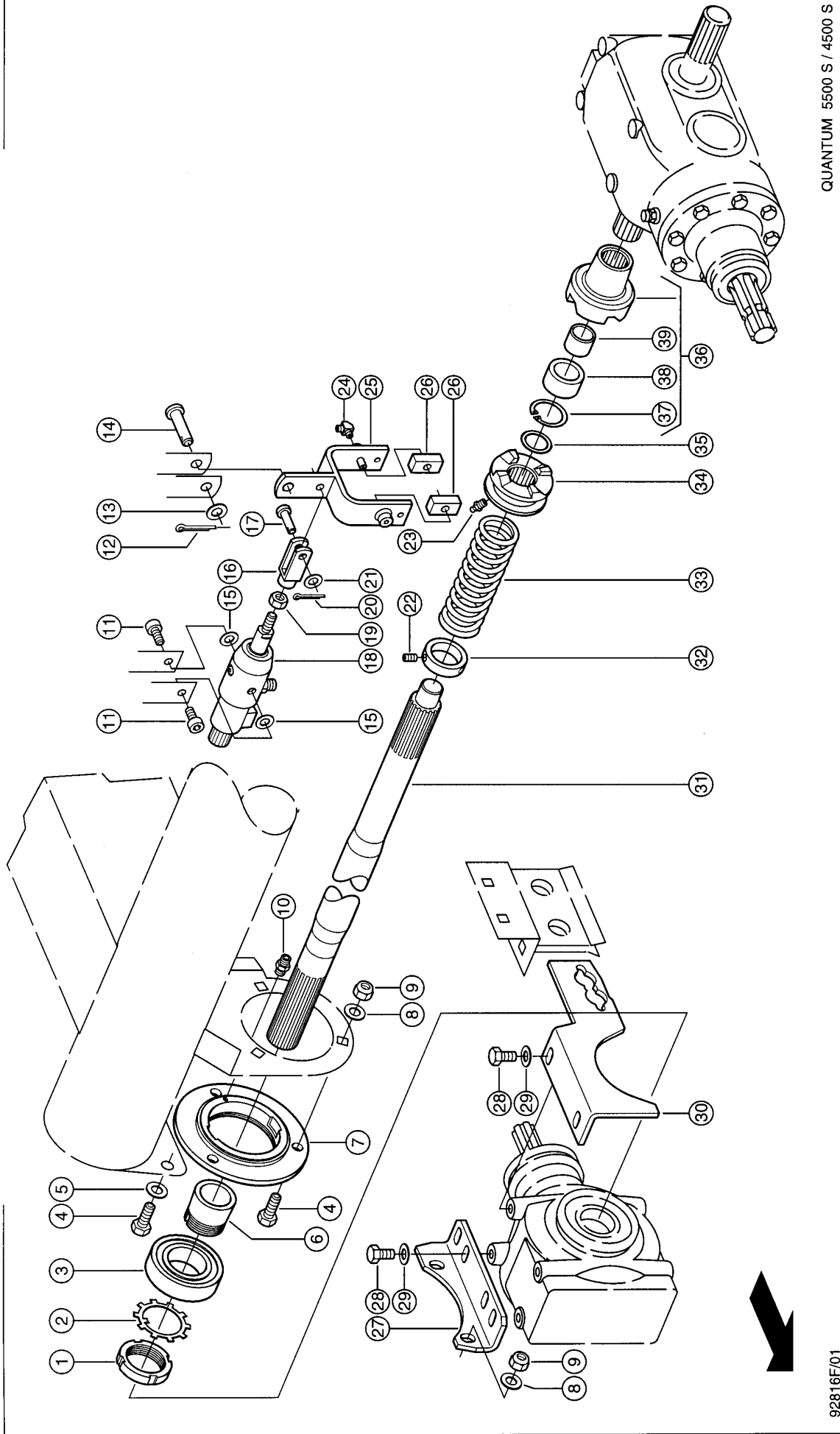
Pos.	Part No.	Description	Dimension	Quantity	Conditions
1	<b>00 0972 384 2</b>	GLIDING BLOCK	D28X25	2	
2	<b>00 0213 659 0</b>	SCREW-IN FITTING	SDE-LL6XM8X1-TYPE C (FOR	2	
3	<b>00 0972 696 0</b>	GREASE PIPE	1HPA DN4 N(LL06)N(LL06)	2	
4	<b>00 0493 418 0</b>	BRACKET		1	
5	<b>00 0235 109 0</b>	SPLIT PIN	2X12	2	
6	<b>00 0236 826 0</b>	WASHER	8,4X17X1	2	
7	<b>00 0238 680 0</b>	PIN	B 8H11X 22	2	
8	<b>00 0239 080 0</b>	FORK HEAD	G8 M8X16	2	
9	<b>00 0236 170 0</b>	HEXAGONAL NUT	M8	4	
10	<b>00 0235 083 0</b>	SPLIT PIN	3,2X18	2	
11	<b>00 0750 308 0</b>	TENSION SPRING	3,5 X 19,5X 84	2	
12	<b>00 0972 076 1</b>	PIN	D10X90	1	
13	<b>00 0629 569 0</b>	FORK HEAD	G 10X40-M12	1	
14	<b>00 0236 456 0</b>	HEXAGONAL NUT	M12	1	
15	<b>00 0234 376 0</b>	WASHER	11X26X6	2	
16	<b>00 0216 147 0</b>	SOCKET HEAD SCREW	M10X20-MKL	2	
17	<b>00 0179 838 0</b>	GREASE NIPPLE	A M8X1	1	
18	<b>00 0213 613 0</b>	SCREW-IN FITTING	SDS LL6 X M8X1 TYP C1	1	
19	<b>00 0493 475 0</b>	GREASE PIPE	DN4 LL6 1400 NN	1	
20	<b>00 0213 618 0</b>	T-UNION SUPPORT	T-LL6	1	
21	<b>00 0235 554 0</b>	HEXAGON HEAD BOLT	M12X50	2	
22	<b>00 0239 389 0</b>	CONTACT WASHER	A12	4	
23	<b>00 0238 234 0</b>	LOCK NUT	M12	2	
24	<b>00 0493 412 0</b>	THREADED ROD	.	2	
25	<b>00 0493 411 0</b>	STRAP	8X151X 159	1	
26	<b>00 0493 408 0</b>	OVERLOAD CLUTCH		1	
27	<b>00 0235 164 0</b>	CIRCLIP	35X1,5	2	
28	<b>00 0234 385 0</b>	BACK-UP WASHER	S 35X45	2	
29	<b>00 0238 201 0</b>	GRVD.BALL BEARING	6007 LLU/5K	2	
30	<b>00 0493 454 0</b>	BUSHING	RD49	2	
31	<b>00 0238 198 0</b>	BACK-UP WASHER	S 50X62X3	2	
32	<b>00 0235 184 0</b>	CIRCLIP	62X2	2	
33	<b>00 0237 862 0</b>	CIRCLIP	50X2	1	
34	<b>00 0493 394 0</b>	HYDRAULIC CYLINDER		1	
35	<b>00 0961 124 0</b>	BEARING BUSH	50X 55X 10	1	
36	<b>00 0493 467 0</b>	BEARING PLATE		1	
37	<b>00 0493 424 0</b>	SHAFT		1	
38	<b>00 0237 461 0</b>	HEXAGON HEAD BOLT	M12X30	4	
39	<b>00 0211 394 0</b>	WASHER	13X35X5	4	
40	<b>00 0235 821 0</b>	HEXAGON HEAD BOLT	M16X40	2	
41	<b>00 0239 391 0</b>	CONTACT WASHER	A16	1	
42	<b>00 0493 403 0</b>	SUPPORT	8X140X 473	1	
43	<b>00 0239 388 0</b>	CONTACT WASHER	A10-10,2X22,25X1,6	6	
44	<b>00 0237 453 0</b>	HEXAGON HEAD BOLT	M10X30	6	
45	<b>00 0963 598 0</b>	BUSHING	25X 4X 14	1	
46	<b>00 0233 441 0</b>	HEXAGON HEAD BOLT	M16X30-MKL	1	

**1) Remarks**

From Serial No. 614 0 2311

3

**CLAAS**



QUANTUM 5500 S / 4500 S

92816F/01

**SWITCHGEAR FOR BEATER DRUMS**

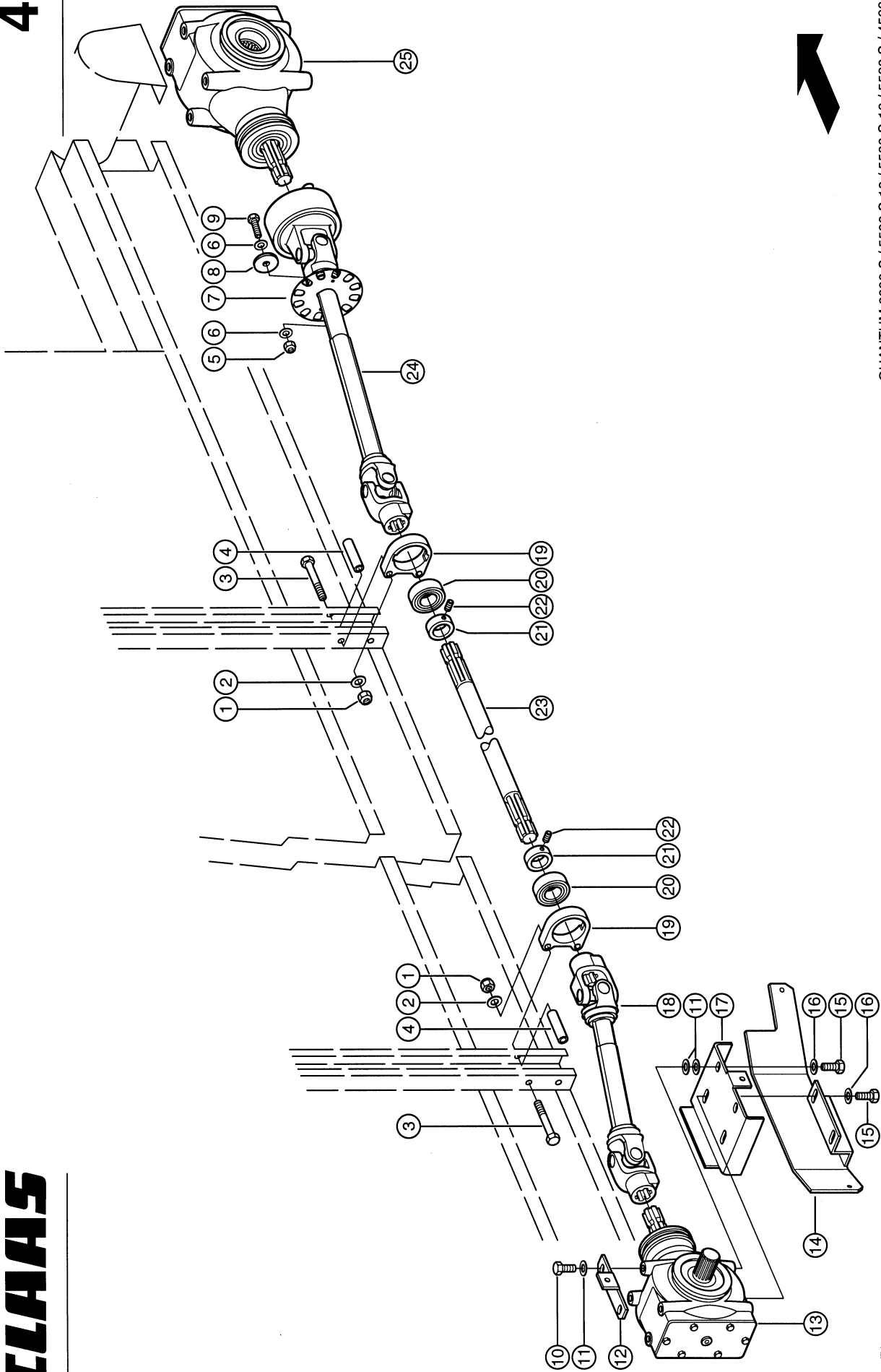
Pos.	Part No.	Description	Dimension	Quantity	Conditions
1	<b>00 0642 366 0</b>	SLOTTED NUT	M55X2	1	
2	<b>00 0642 367 1</b>	LOCKING PLATE	55	1	
3	<b>00 0212 581 0</b>	GRVD.BALL BEARING	P6311K-2S 2RSR	1	
4	<b>00 0235 821 0</b>	HEXAGON HEAD BOLT	M16X40	5	
5	<b>00 0235 127 2</b>	WASHER	16 - 17X30X3	2	
6	<b>00 0212 582 0</b>	TAPER LOCK SLEEVE	H 311-SA OMUS	1	
7	<b>00 0963 413 1</b>	BEARING HOUSING	215X 30	1	
8	<b>00 0239 391 0</b>	CONTACT WASHER	A16	5	
9	<b>00 0238 047 0</b>	LOCK NUT	M16	5	
10	<b>00 0239 156 0</b>	SCREW-IN FITTING	LL 5-M8X1 KEG	1	
11	<b>00 0216 147 0</b>	SOCKET HEAD SCREW	M10X20-MKL	2	
12	<b>00 0237 026 0</b>	SPLIT PIN	5X32	2	
13	<b>00 0940 015 8</b>	WASHER	10,5X 40 X4	2	
14	<b>00 0949 574 0</b>	PIN	D16H9X 70	1	
15	<b>00 0234 364 0</b>	WASHER	11X26X4	2	
16	<b>00 0629 569 0</b>	FORK HEAD	G 10X40-M12	1	
17	<b>00 0632 133 0</b>	PIN	B-10A12X28X4,5	1	
18	<b>00 0493 394 0</b>	HYDRAULIC CYLINDER		1	1)
18	<b>00 0084 772 3</b>	HYDR. CYLINDER		1	2)
19	<b>00 0236 456 0</b>	HEXAGONAL NUT	M12	1	
20	<b>00 0235 089 0</b>	SPLIT PIN	4 X 22	1	
21	<b>00 0238 292 0</b>	WASHER	10,5X 22 X1	1	
22	<b>00 0238 375 0</b>	THREADED PIN	M10X16	2	
23	<b>00 0236 942 0</b>	GREASE NIPPLE	A S6X1	2	
24	<b>00 0233 884 0</b>	ANGLE UNION	SDE-LL5-M8X1-TYPE C1		
25	<b>00 0970 971 2</b>	SHIFT FORK		1	
26	<b>00 0970 976 0</b>	GLIDING BLOCK	45X15X 22,5	2	
27	<b>00 0971 431 2</b>	ANGLE	8X118X232	1	
27	<b>00 0973 342 0</b>	ANGLE	8X125X 232	1	3)
28	<b>00 0090 040 0</b>	HEXAGON HEAD BOLT	M14X25	6	
29	<b>00 0239 390 0</b>	CONTACT WASHER	A14	6	
30	<b>00 0972 023 1</b>	SUPPORT	8X177X337	1	
30	<b>00 0973 343 0</b>	SUPPORT	8X168X 337	1	3)
31	<b>00 0971 377 0</b>	SHAFT	55X 960	1	
32	<b>00 0970 929 0</b>	ADJUSTING RING	E50E8X65X15M10	1	
33	<b>00 0629 981 0</b>	COMPRESS.SPRING	5,6 X 58,6X226	1	
34	<b>00 0970 943 0</b>	CONTROL SLEEVE	100X 58	1	
35	<b>00 0234 385 0</b>	BACK-UP WASHER	S 35X45	1	
36	<b>00 0963 644 1</b>	SLEEVE		1	
37	<b>00 0212 703 0</b>	CIRCLIP	56X2	1	
38	<b>00 0963 408 0</b>	BUSHING	39H7X56J6X 30	1	
39	<b>00 0211 400 0</b>	GLIDE BEARING	35X39X30	1	

**1) Remarks** from 614 0 2311

**2) Remarks** single parts plate 75  
to 614 0 2310

**3) Remarks** 6800 S

4



QUANTUM 6800 S / 5500 S-18 / 5500 S-16 / 5500 S / 4500 S

**CLAAS**

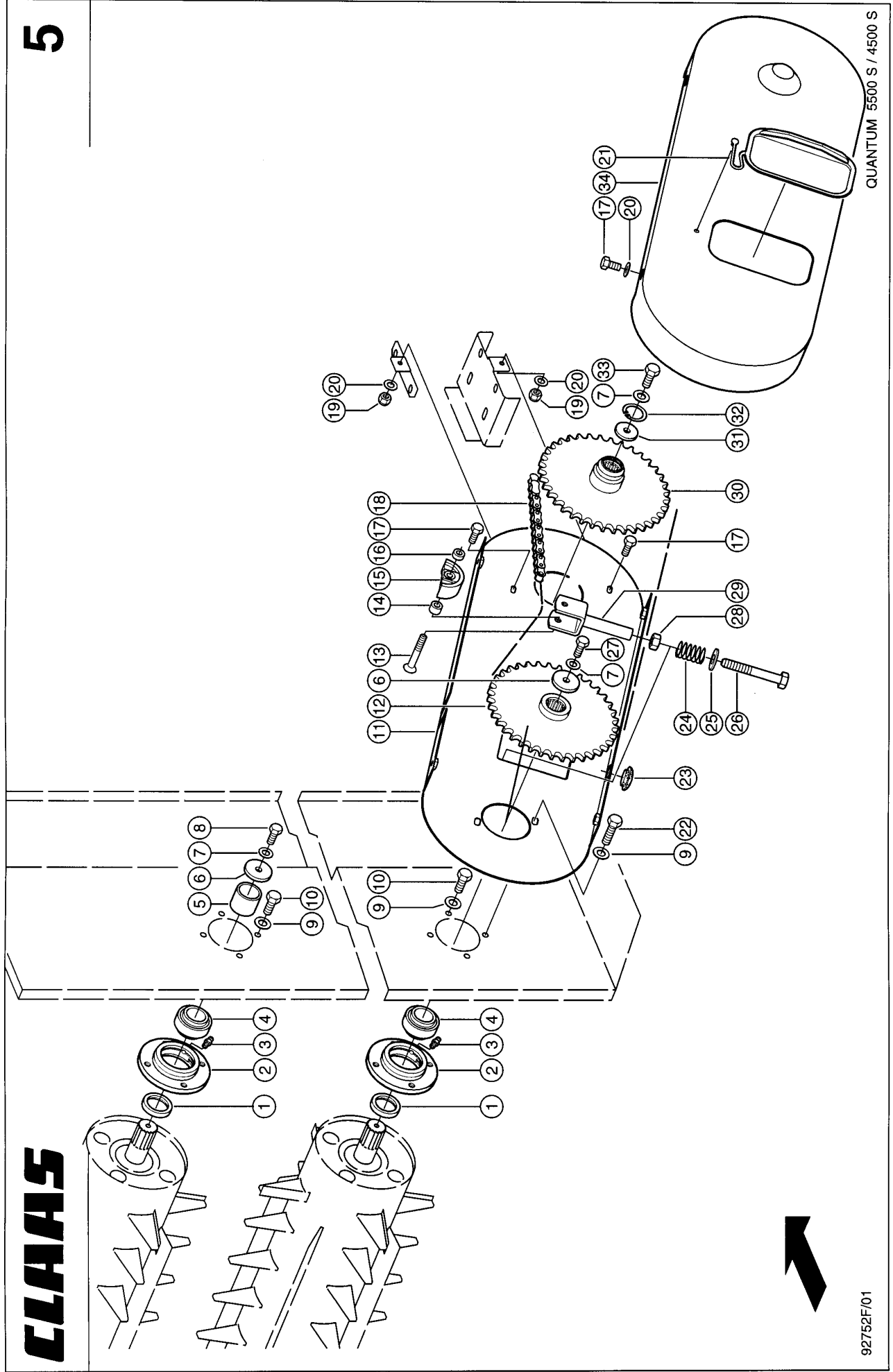
93000F/01

**DRIVE FOR BEATER DRUMS**

Pos.	Part No.	Description	Dimension	Quantity	Conditions
1	<b>00 0237 947 0</b>	HEX. NUT WITH CLAMP. PART	M10	2	
2	<b>00 0233 658 0</b>	CONICAL SPRING WASHER	10 -10,5X23X2,5	2	
3	<b>00 0235 545 0</b>	HEXAGON HEAD BOLT	M10X120	2	
4	<b>00 0971 433 0</b>	SPACER		2	
5	<b>00 0237 983 0</b>	HEXAGONAL NUT	M6	2	
6	<b>00 0239 386 0</b>	CONTACT WASHER	A 6	4	
7	<b>00 0972 386 1</b>	WASHER	3X165X 165	1	
8	<b>00 0236 823 0</b>	WASHER	6,5X30X3	2	
9	<b>00 0237 466 0</b>	HEXAGON HEAD BOLT	M06X20	2	
10	<b>00 0236 056 0</b>	HEXAGON HEAD BOLT	M12X25	2	
11	<b>00 0239 389 0</b>	CONTACT WASHER	A12	8	
12	<b>00 0971 430 0</b>	ANGLE	4 X 66X 154	1	
13	<b>00 0971 439 0</b>	ANGLE DRIVE	GT-41LB-1.93:1	1	1)
14	<b>00 0972 014 0</b>	DEFLECTOR PLATE	4X226X533	1	
15	<b>00 0211 057 1</b>	HEXAGON HEAD BOLT	M12X35-MKL	4	
16	<b>00 0233 103 0</b>	WASHER	13-13X30X6	2	
17	<b>00 0971 427 1</b>	SUPPORTING PLATE	8 X 196X 241	1	
18	<b>00 0971 479 0</b>	DRIVE SHAFT		1	2)
19	<b>00 0968 757 0</b>	BEARING HOUSING		4	
20	<b>00 0930 649 0</b>	TENSION BEARING	YEN 207-S	4	
21	<b>00 0616 067 1</b>	LOCK COLLAR	35	4	
22	<b>00 0235 687 0</b>	SPRING PIN	8X90 ERSATZ 2356871	8	
23	<b>00 0973 237 0</b>	DRIVE SHAFT	D35H8X4655	1	3)
23	<b>00 0971 447 0</b>	DRIVE SHAFT	D35H8X3564	1	4)
23	<b>00 0971 444 0</b>	DRIVE SHAFT	D35H8X2472	1	5)
24	<b>00 0971 478 1</b>	DRIVE SHAFT		1	6)
25	<b>00 0971 438 0</b>	ANGLE DRIVE	GT-51H-3.18:1	1	7)

<b>1)</b>	<b>Remarks</b>	single parts plate 12
<b>2)</b>	<b>Remarks</b>	single parts plate 95
<b>3)</b>	<b>Remarks</b>	6800 S
<b>4)</b>	<b>Remarks</b>	5500 S
<b>5)</b>	<b>Remarks</b>	4500 S
<b>6)</b>	<b>Remarks</b>	single parts plate 93
<b>7)</b>	<b>Remarks</b>	single parts plate 11

# 5



# CLAAS

Thank you so much for reading.  
Please click the “Buy Now!”  
button below to download the  
complete manual.



After you pay.

You can download the most  
perfect and complete manual in  
the world immediately.

Our support email:

[ebooklibonline@outlook.com](mailto:ebooklibonline@outlook.com)