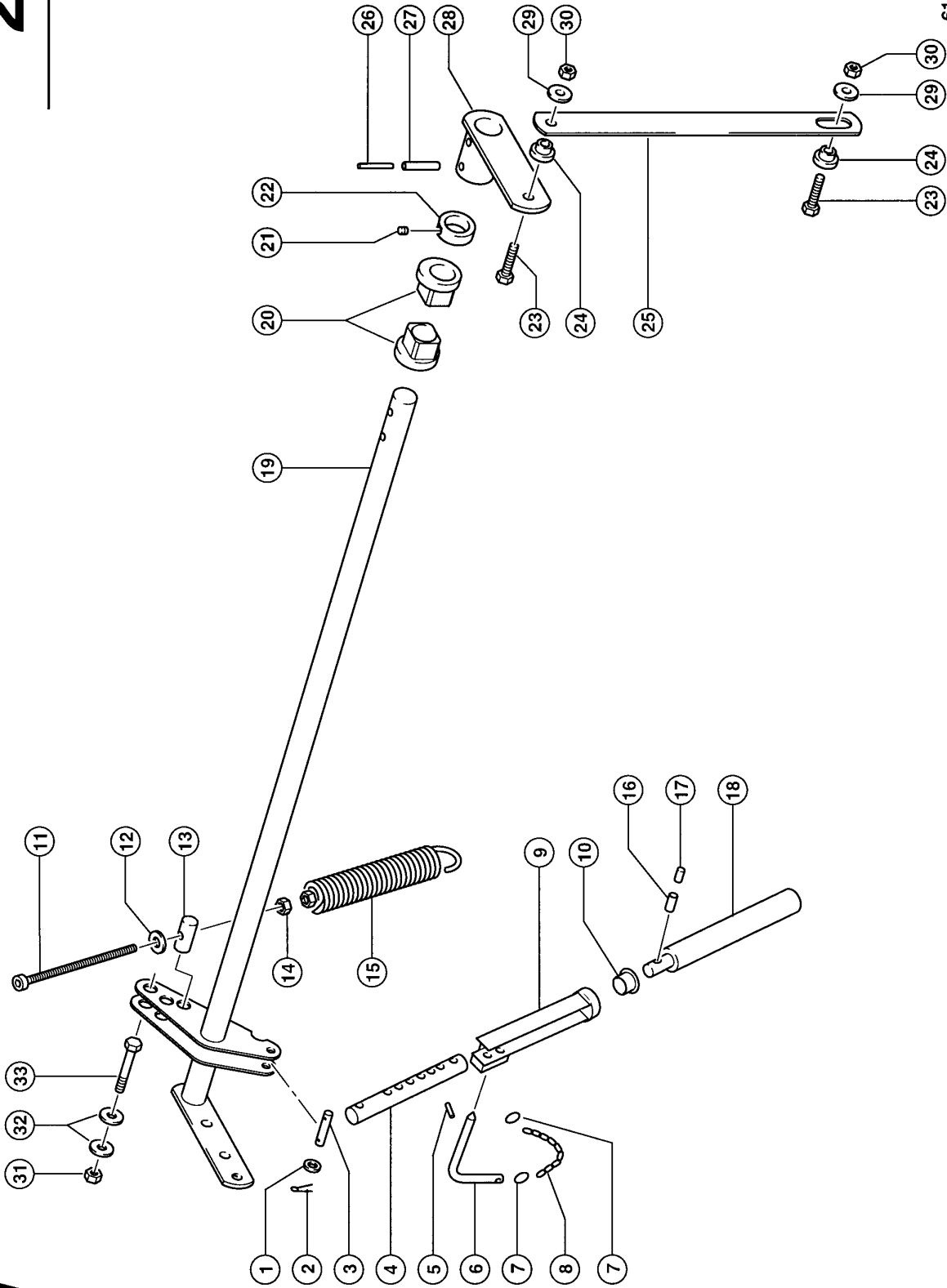


26

**CLAAS**

**BGZ 02010**

ROLLANT 250 / RC



61036Z00  
ROLLANT 250/250RC



125633

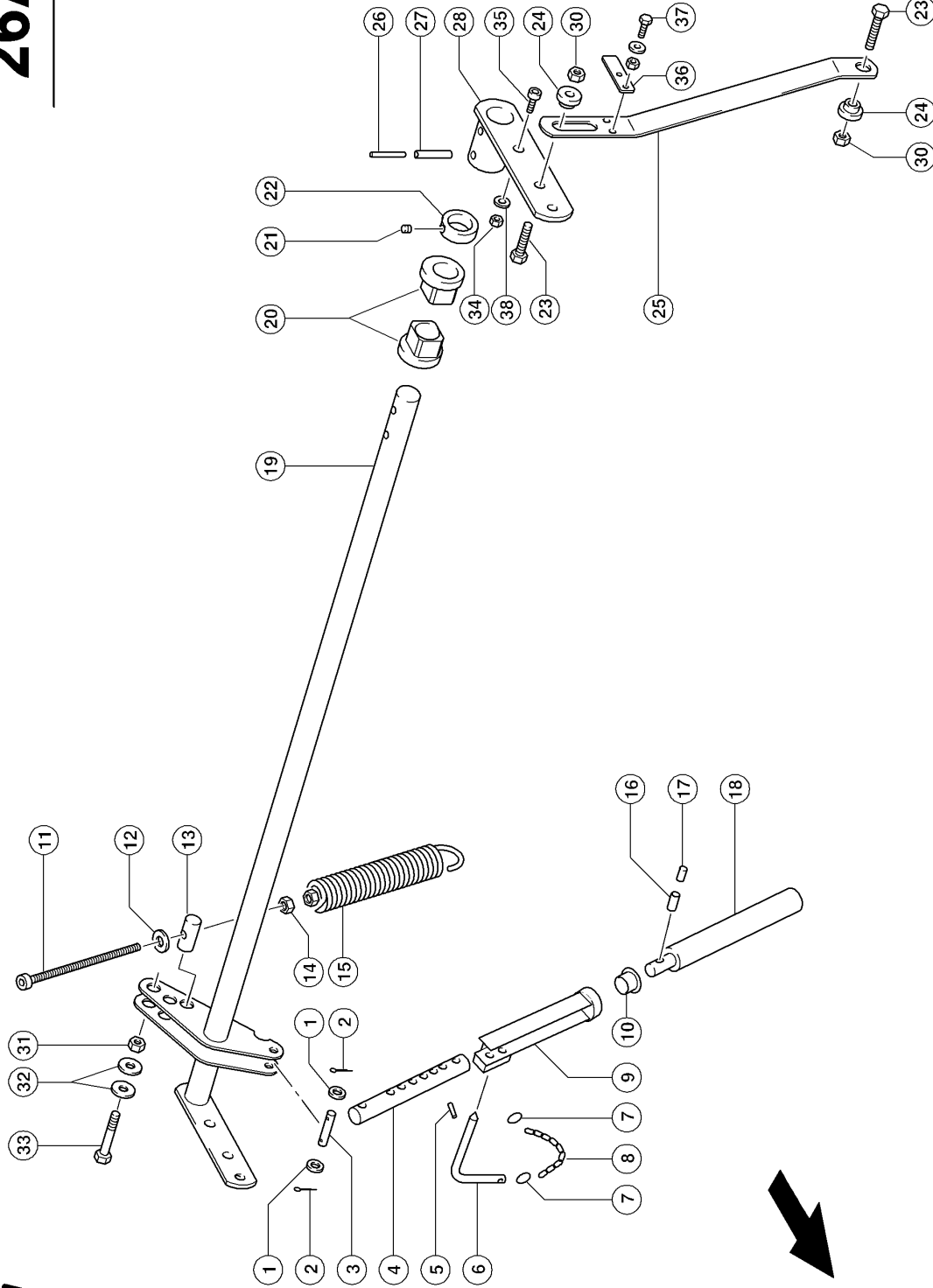
**HYDRAULIC PICK-UP LIFT 1)**

Pos.	Part No.	Description	Dimension	Quantity	Conditions
1	<b>00 0236 840 0</b>	WASHER	13X22X1	2	
2	<b>00 0236 152 0</b>	SPLIT PIN	3,2X22	2	
3	<b>00 0823 589 0</b>	PIN	D 12X63	1	
4	<b>00 0823 581 3</b>	SUPPORT TUBE	30X4X252,8	1	
5	<b>00 0237 794 1</b>	SPRING PIN	3 X 22	1	
6	<b>00 0823 586 1</b>	COTTER PIN		1	
7	<b>00 0002 846 0</b>	RING	SPIRALFÖRMIG OFFEN2 16 X G 3X16-17GL	1	
8	<b>00 0608 099 0</b>	ROUND STEEL CHAIN		1	
9	<b>00 0824 079 0</b>	SUPPORT		1	
10	<b>00 0823 585 0</b>	SYNTHETIC BUSH	26X34/42X20/3	1	
11	<b>00 0214 285 0</b>	HEXAGON HEAD BOLT	M14X220X130	1	2)
11	<b>00 0244 421 0</b>	HEXAGON HEAD BOLT	M12X200	1	3)
11	<b>00 0244 421 0</b>	HEXAGON HEAD BOLT	M12X200	1	4)
12	<b>00 0238 990 0</b>	WASHER	Ø16,5 X Ø33,5 - 1X5	1	2)
12	<b>00 0710 831 1</b>	WASHER	12,5X33X5	1	3)
12	<b>00 0710 831 1</b>	WASHER	12,5X33X5	1	4)
13	<b>00 0838 367 0</b>	PIN	D25H9X55	1	2)
13	<b>00 0906 747 0</b>	PIN	25H9 X 55	1	3)
13	<b>00 0906 747 0</b>	PIN	25H9 X 55	1	4)
14	<b>00 0235 601 0</b>	HEXAGONAL NUT	M14	1	2)
14	<b>00 0236 172 0</b>	HEXAGONAL NUT	M12	1	3)
14	<b>00 0236 172 0</b>	HEXAGONAL NUT	M12	1	4)
15	<b>00 0967 704 0</b>	TENSION SPRING	9 X 45 X 373	1	2)
15	<b>00 0965 372 1</b>	TENSION SPRING	8 X 50 X363	1	3)
15	<b>00 0965 372 1</b>	TENSION SPRING	8 X 50 X363	1	4)
16	<b>00 0233 025 2</b>	SPRING PIN	10X28-N	1	
17	<b>00 0235 663 2</b>	SPRING PIN	6 X 28-N	1	
18	<b>00 0084 436 2</b>	HYDR.CYLINDER	25/175	1	5)
19	<b>00 0837 331 1</b>	SHAFT		1	
20	<b>00 0837 333 0</b>	PLASTIC BEARING		2	
21	<b>00 0236 552 0</b>	THREADED PIN	M10X 8	1	
22	<b>00 0500 827 1</b>	ADJUSTING RING	A40E8X55X15/M10	1	
23	<b>00 0235 553 0</b>	HEXAGON HEAD BOLT	M12X45	4	
24	<b>00 0823 577 3</b>	BUSHING	D35,15X19	4	
25	<b>00 0837 334 2</b>	BRACE		2	
26	<b>00 0237 613 2</b>	SPRING PIN	10X 60	2	
27	<b>00 0213 687 1</b>	SPRING PIN	6 X 60	2	
28	<b>00 0823 568 2</b>	LEVER		1	
29	<b>00 0235 124 3</b>	FLAT WASHER	12- 13X24X2,5	4	
30	<b>00 0238 234 0</b>	LOCK NUT	M12	4	
31	<b>00 0238 234 0</b>	LOCK NUT	M12	1	
32	<b>00 0233 575 0</b>	WASHER	13X40X3	2	
33	<b>00 0237 815 0</b>	HEXAGON HEAD BOLT	M12X65	1	

<b>1)</b>	<b>Remarks</b>	Up To Serial No.72505430
<b>2)</b>	<b>Remarks</b>	at Pickup 2.10+1.85m from No. 72501596
<b>3)</b>	<b>Remarks</b>	to No. 72501595
<b>4)</b>	<b>Remarks</b>	at Pickup 1.58m
<b>5)</b>	<b>Remarks</b>	see illustration plate 88

**CLAAS**

**26A**



61037Z02  
ROLLANT 250/250RC

125634/02

**HYDRAULIC PICK-UP LIFT 1)**

Pos.	Part No.	Description	Dimension	Quantity	Conditions
1	<b>00 0236 840 0</b>	WASHER	13X22X1	2	
2	<b>00 0236 152 0</b>	SPLIT PIN	3,2X22	2	
3	<b>00 0823 589 0</b>	PIN	D 12X63	1	
4	<b>00 0823 581 4</b>	SUPPORT TUBE	D30X4X252,8	1	
5	<b>00 0237 794 1</b>	SPRING PIN	3 X 22	1	
6	<b>00 0823 586 1</b>	COTTER PIN		1	
7	<b>00 0002 846 0</b>	RING	SPIRALFÖRMIG OFFEN2 16 X G 3X16-17GL	1	
8	<b>00 0608 099 0</b>	ROUND STEEL CHAIN		1	
9	<b>00 0824 079 0</b>	SUPPORT		1	
10	<b>00 0823 585 0</b>	SYNTHETIC BUSH	26X34/42X20/3	1	
11	<b>00 0214 285 0</b>	HEXAGON HEAD BOLT	M14X220X130	1	
12	<b>00 0238 990 0</b>	WASHER	Ø16,5 X Ø33,5 - 1X5	1	
13	<b>00 0838 367 0</b>	PIN	D25H9X55	1	
14	<b>00 0235 601 0</b>	HEXAGONAL NUT	M14	1	
15	<b>00 0967 704 0</b>	TENSION SPRING	9 X 45 X 373	1	
16	<b>00 0233 025 2</b>	SPRING PIN	10X28-N	1	
17	<b>00 0235 663 2</b>	SPRING PIN	6 X 28-N	1	
18	<b>00 0845 776 1</b>	PLUNGER CYLINDER	D25X175	1	2)
18	<b>00 0084 436 3</b>	HYDR.CYLINDER	D25X175	1	3)
19	<b>00 0837 331 2</b>	SHAFT		1	
20	<b>00 0837 333 0</b>	PLASTIC BEARING		2	
21	<b>00 0236 552 0</b>	THREADED PIN	M10X 8	1	
22	<b>00 0500 827 1</b>	ADJUSTING RING	A40E8X55X15/M10	1	
23	<b>00 0235 553 0</b>	HEXAGON HEAD BOLT	M12X45	4	
24	<b>00 0823 577 3</b>	BUSHING	D35,15X19	4	
25	<b>00 0851 422 0</b>	BRACE	8X50X595,8	2	4)
25	<b>00 0838 878 2</b>	BRACE		2	5)
25	<b>00 0838 974 1</b>	BRACE	8X50X575	2	5)
25	<b>00 0845 965 1</b>	BRACE	64X50X8	2	6)
25	<b>00 0837 334 2</b>	BRACE		2	7)
26	<b>00 0237 613 2</b>	SPRING PIN	10X 60	2	
27	<b>00 0213 687 1</b>	SPRING PIN	6 X 60	2	
28	<b>00 0851 331 0</b>	LEVER		1	8)
28	<b>00 0823 568 2</b>	LEVER		1	9)
29	<b>00 0235 124 3</b>	FLAT WASHER	12- 13X24X2,5	4	
30	<b>00 0238 234 0</b>	LOCK NUT	M12	4	
31	<b>00 0238 234 0</b>	LOCK NUT	M12	1	
32	<b>00 0233 575 0</b>	WASHER	13X40X3	2	
33	<b>00 0237 815 0</b>	HEXAGON HEAD BOLT	M12X65	1	
34	<b>00 0238 234 0</b>	LOCK NUT	M12	2	
35	<b>00 0214 614 0</b>	SOCKET HEAD SCREW	M12X 30	2	
36	<b>00 0838 975 1</b>	PLATE	6X40X85	2	
37	<b>00 0244 378 0</b>	HEXAGON HEAD BOLT	M 8X25	4	
37	<b>00 0239 387 0</b>	CONTACT WASHER	A8-8,2X18X1,4	4	
37	<b>00 0238 132 0</b>	LOCK NUT	M8	4	
38	<b>00 0237 043 0</b>	WASHER	12	1	

**1) Remarks** From Serial No. 72505431

**2) Remarks** see illustration plate 88A  
from No. 72506612

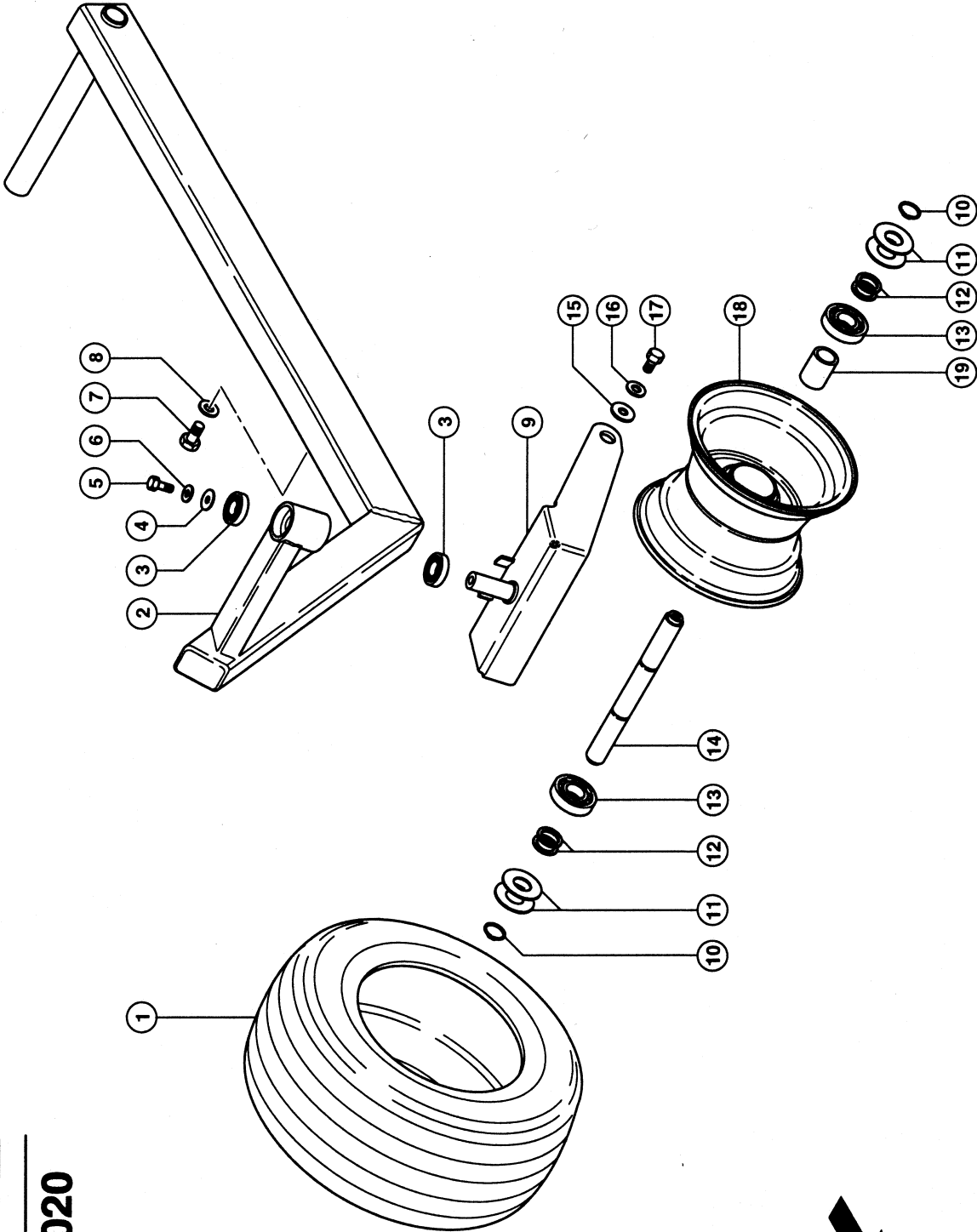
**3) Remarks** to No. 72506611  
see illustration plate 88

**HYDRAULIC PICK-UP LIFT 1)**

<b>4) Remarks</b>	at 2.10 m pick-up from no. 72507484
<b>5) Remarks</b>	up to no. 72507483
<b>6) Remarks</b>	at 1.85 m pick-up from no. 72507484
<b>7) Remarks</b>	at feed rake
<b>8) Remarks</b>	from no. 72507186
<b>9) Remarks</b>	up to no. 72507185

27

61038z00  
ROLLANT 250/250RC



**CLAAS**

**BGZ 02020**

125635

**PICK-UP GAUGE WHEEL, 2,10 AND 1,85 M 1)**

Pos.	Part No.	Description	Dimension	Quantity	Conditions
	<b>00 0834 191 0</b>	SUPPORT.WHEELS	NACHRUESTSATZ	1	2)
1	<b>00 0919 266 1</b>	TYRE WITH TUBE	16X6,50-8 4PR	2	
2	<b>00 0826 570 1</b>	SUPPORTING ARM RH		1	
2	<b>00 0826 569 1</b>	SUPPORTING ARM LH		1	
3	<b>00 0237 713 0</b>	GRVD.BALL BEARING	6005-2RS* -25X47X12	4	
4	<b>00 0234 330 0</b>	WASHER	13X37X3	2	
5	<b>00 0237 458 0</b>	HEXAGON HEAD BOLT	M12X20	2	
6	<b>00 0239 389 0</b>	CONTACT WASHER	A12	2	
7	<b>00 0236 056 0</b>	HEXAGON HEAD BOLT	M12X25	2	
8	<b>00 0239 395 1</b>	CONTACT WASHER	B12	2	
9	<b>00 0827 932 0</b>	SUPPORT		2	
10	<b>00 0235 160 0</b>	CIRCLIP	25X1,2	4	
11	<b>00 0234 239 1</b>	WASHER	26 X 51 X1	8	
12	<b>00 0237 851 0</b>	SHIM	25X35X0,5	1	
13	<b>00 0235 870 0</b>	GRVD.BALL BEARING	6205-2RS*-25X52X15	4	
14	<b>00 0817 232 0</b>	SHAFT	D 25X193	2	
15	<b>00 0234 330 0</b>	WASHER	13X37X3	4	
16	<b>00 0239 389 0</b>	CONTACT WASHER	A12	4	
17	<b>00 0237 458 0</b>	HEXAGON HEAD BOLT	M12X20	4	
18	<b>00 0919 264 1</b>	WHEEL RIM	5.50 A X 8	2	
19	<b>00 0919 191 0</b>	SPACER BUSH	D 27 X 30 X 35	2	

**1) Remarks**

B 03 / 20  
Option  
Up To Serial No.72505430

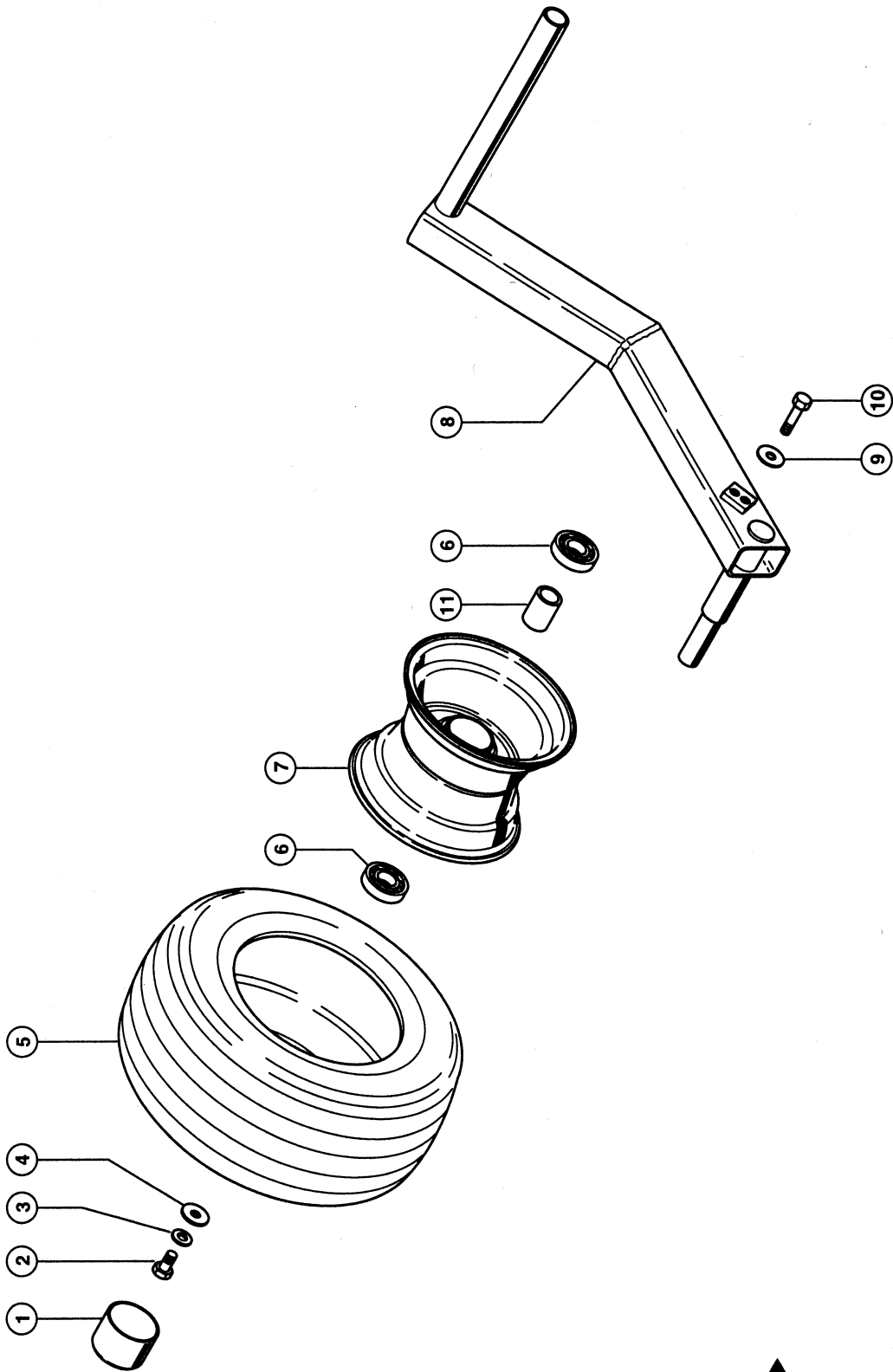
**2) Remarks**

NACHRUESTSATZ KPL.

27A

**CLAAS**

**BGZ 02020**



61039z01  
ROLLANT 250/250RC

125636/01



**PICK-UP GAUGE WHEEL, 2,10; 1,85 AND 1,58 1)**

Pos.	Part No.	Description	Dimension	Quantity	Conditions
1	<b>00 0215 711 0</b>	PIPE PROTECT.CAP	D 57 GPN 250	2	
2	<b>00 0237 458 0</b>	HEXAGON HEAD BOLT	M12X20	2	
3	<b>00 0239 389 0</b>	CONTACT WASHER	A12	2	
4	<b>00 0238 206 0</b>	WASHER	13 X 30 X4	2	
5	<b>00 0919 266 1</b>	TYRE WITH TUBE	16X6,50-8 4PR	2	
6	<b>00 0235 870 0</b>	GRVD.BALL BEARING	6205-2RS*-25X52X15	4	
7	<b>00 0919 264 1</b>	WHEEL RIM	5.50 A X 8	2	
8	<b>00 0827 384 2</b>	SUPPORTING ARM RH		1	
8	<b>00 0827 381 1</b>	SUPPORTING ARM LH		1	2)
9	<b>00 0239 395 1</b>	CONTACT WASHER	B12	2	
10	<b>00 0236 056 0</b>	HEXAGON HEAD BOLT	M12X25	2	
11	<b>00 0919 191 0</b>	SPACER BUSH	D 27 X 30 X 35	1	

**1) Remarks** B 03 / 30  
Option  
Up To Serial No.72505430

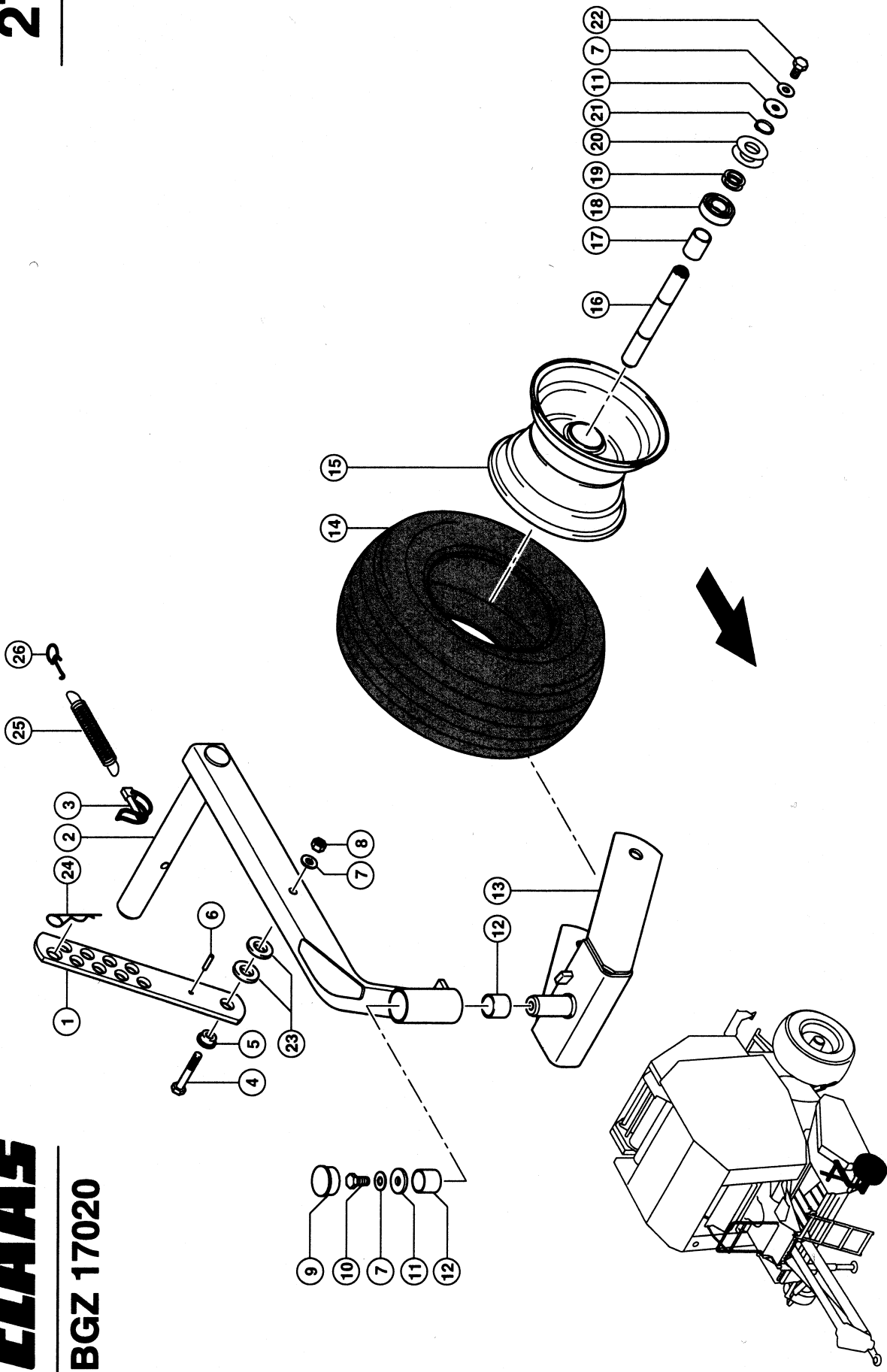
**2) Remarks** not at Pickup 1.58

27B

**CLAAS**

**BGZ 17020**

61040z01  
ROLLANT 250/250RC



125637/01

**LAND WHEELS FOR PICKUP 1)**

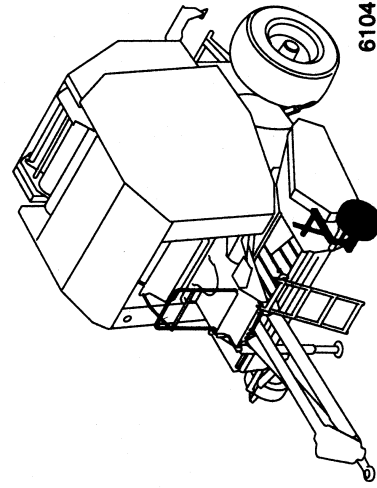
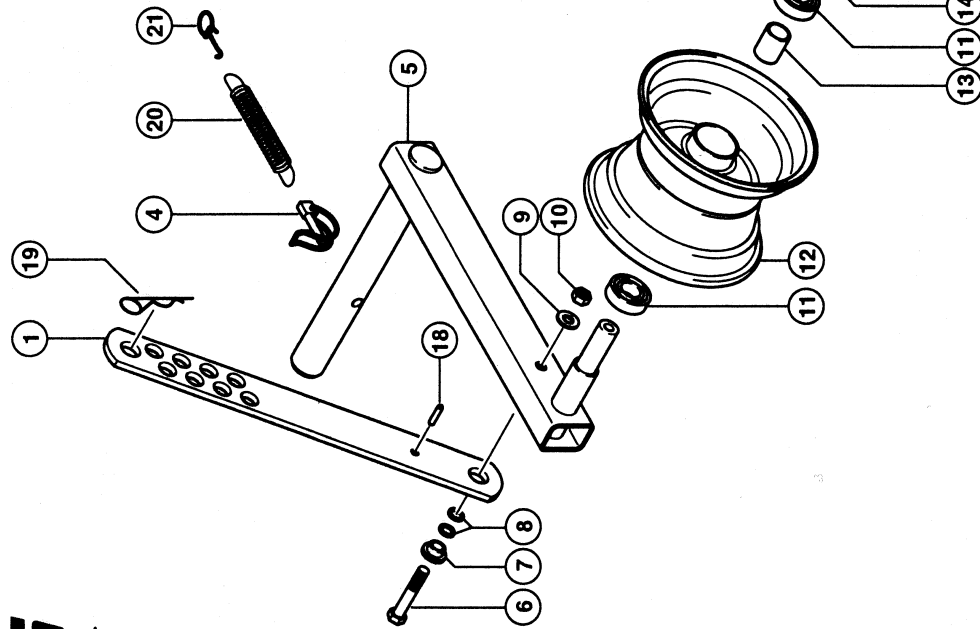
Pos.	Part No.	Description	Dimension	Quantity	Conditions
1	<b>00 0834 398 4</b>	BOSS	8X60X340	1	
2	<b>00 0834 394 6</b>	SUPPORTING ARM LH		1	2)
2	<b>00 0834 395 6</b>	SUPPORTING ARM RH		1	3)
3	<b>00 0214 451 0</b>	TUBE COVER PLUG	11,5X55	1	
4	<b>00 0235 559 0</b>	HEXAGON HEAD BOLT	M12X75	1	
5	<b>00 0060 161 0</b>	BUSHING	12,5X 20X 30X 13	1	
6	<b>00 0237 784 0</b>	SPRING PIN	8 X 28	1	
7	<b>00 0239 389 0</b>	CONTACT WASHER	A12	3	
8	<b>00 0238 234 0</b>	LOCK NUT	M12	1	
9	<b>00 0241 134 0</b>	PLUG	D40,7-F	1	
10	<b>00 0237 458 0</b>	HEXAGON HEAD BOLT	M12X20	1	
11	<b>00 0234 330 0</b>	WASHER	13X37X3	2	
12	<b>00 0636 656 0</b>	BUSHING	30X 34X 30	2	
13	<b>00 0834 723 1</b>	SUPPORT		1	
14	<b>00 0983 706 0</b>	TYRE WITH TUBE	16X6,50-8 6PR C737	1	
15	<b>00 0919 264 1</b>	WHEEL RIM	5.50 A X 8	1	
16	<b>00 0817 232 0</b>	SHAFT	D 25X193	1	
17	<b>00 0919 191 0</b>	SPACER BUSH	D 27 X 30 X 35	1	
18	<b>00 0235 870 0</b>	GRVD.BALL BEARING	6205-2RS*-25X52X15	2	
19	<b>00 0237 851 0</b>	SHIM	25X35X0,5	4	
20	<b>00 0234 239 1</b>	WASHER	26 X 51 X1	4	
21	<b>00 0235 160 0</b>	CIRCLIP	25X1,2	2	
22	<b>00 0237 458 0</b>	HEXAGON HEAD BOLT	M12X20	2	
23	<b>00 0237 043 0</b>	WASHER	12	2	
24	<b>00 0902 948 1</b>	SPRING CLIP	4,5X125	1	
25	<b>00 0013 004 0</b>	TENSION SPRING	1,5 X 13,5X 67	1	
26	<b>00 0900 881 0</b>	SPRING HOOK	D 3,2X 42	1	

**1) Remarks** B 03 / 20  
From Serial No. 72505431

**2) Remarks** left

**3) Remarks** right

# 27C



61041201  
ROLLANT 250/250RC



# CLAAS

## BGZ 17020

125638/01

**LAND WHEELS FOR PICKUP 1)**

Pos.	Part No.	Description	Dimension	Quantity	Conditions
1	<b>00 0834 397 3</b>	BOSS	8X60X548	1	
4	<b>00 0214 451 0</b>	TUBE COVER PLUG	11,5X55	1	
5	<b>00 0834 392 3</b>	SUPPORTING ARM		1	
6	<b>00 0235 559 0</b>	HEXAGON HEAD BOLT	M12X75	1	
7	<b>00 0060 161 0</b>	BUSHING	12,5X 20X 30X 13	1	
8	<b>00 0237 043 0</b>	WASHER	12	2	
9	<b>00 0239 389 0</b>	CONTACT WASHER	A12	1	
10	<b>00 0238 234 0</b>	LOCK NUT	M12	1	
11	<b>00 0235 870 0</b>	GRVD.BALL BEARING	6205-2RS*-25X52X15	2	
12	<b>00 0919 264 1</b>	WHEEL RIM	5.50 A X 8	1	
13	<b>00 0919 191 0</b>	SPACER BUSH	D 27 X 30 X 35	1	
14	<b>00 0238 206 0</b>	WASHER	13 X 30 X4	1	
15	<b>00 0237 458 0</b>	HEXAGON HEAD BOLT	M12X20	1	
16	<b>00 0215 711 0</b>	PIPE PROTECT.CAP	D 57 GPN 250	1	
17	<b>00 0983 706 0</b>	TYRE WITH TUBE	16X6,50-8 6PR C737	1	
18	<b>00 0237 784 0</b>	SPRING PIN	8 X 28	1	
19	<b>00 0902 948 1</b>	SPRING CLIP	4,5X125	1	
20	<b>00 0013 004 0</b>	TENSION SPRING	1,5 X 13,5X 67	1	
21	<b>00 0900 881 0</b>	SPRING HOOK	D 3,2X 42	1	

**1) Remarks**

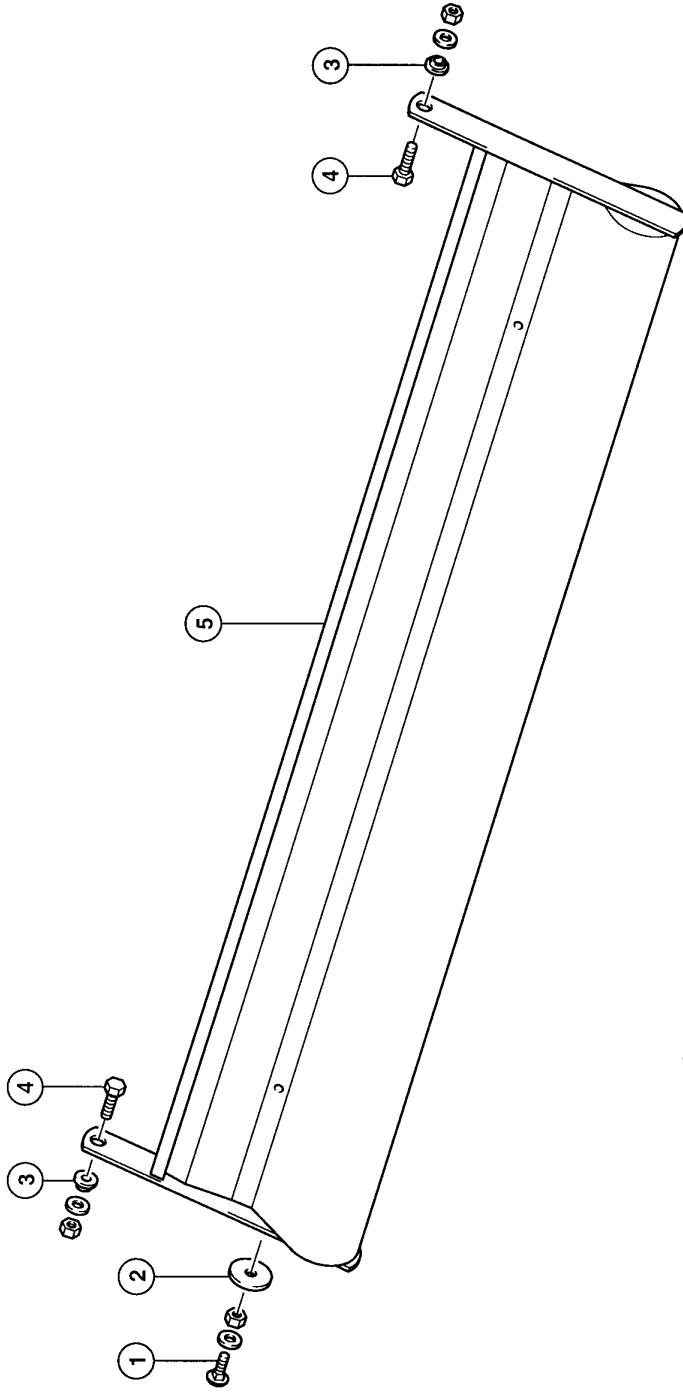
B 03 / 30  
From Serial No. 72605431

28

**CLAAS**

**BGZ 02030**

61042Z00  
ROLLANT 250/250RC



125639

**PICK-UP BAFFLE 1)**

Pos.	Part No.	Description	Dimension	Quantity	Conditions
1	<b>00 0233 503 0</b>	COACH BOLT	M 8X 25	4	
1	<b>00 0236 170 0</b>	HEXAGONAL NUT	M8	4	
1	<b>00 0239 387 0</b>	CONTACT WASHER	A8-8,2X18X1,4	4	
2	<b>00 0969 139 0</b>	REST	9 X 50 X 12	4	
3	<b>00 0680 791 0</b>	BUSHING	D27XD10,5X10	2	
4	<b>00 0237 453 0</b>	HEXAGON HEAD BOLT	M10X30	2	
4	<b>00 0236 171 0</b>	HEXAGONAL NUT	M10	2	
4	<b>00 0239 388 0</b>	CONTACT WASHER	A10-10,2X22,25X1,6	2	
5	<b>00 0826 735 0</b>	BAFFLE PLATE		1	2)
5	<b>00 0838 176 0</b>	BAFFLE PLATE		1	3)
5	<b>00 0837 736 0</b>	BAFFLE PLATE		1	4)
5	<b>00 0834 192 0</b>	RETROFIT KIT	PRALLBLECH 2,10	1	5)
5	<b>00 0838 355 0</b>	BAFFLE PLATE	1,85M	1	6)
5	<b>00 0838 356 0</b>	RETROFIT KIT	PRALLBLECH 1.58M	1	7)

<b>1) Remarks</b>	Option Up To Serial No.72505430
<b>2) Remarks</b>	at Pickup 2.10 m
<b>3) Remarks</b>	at Pickup 1.85 m
<b>4) Remarks</b>	at Pickup 1,58 m
<b>5) Remarks</b>	KPL.BEI PICKUP 2,10 M
<b>6) Remarks</b>	KPL.BEI PICKUP 1,85 M
<b>7) Remarks</b>	KPL.BEI PICKUP 1,58 M

Thank you so much for reading.  
Please click the “Buy Now!”  
button below to download the  
complete manual.



After you pay.

You can download the most  
perfect and complete manual in  
the world immediately.

Our support email:

[ebooklibonline@outlook.com](mailto:ebooklibonline@outlook.com)