

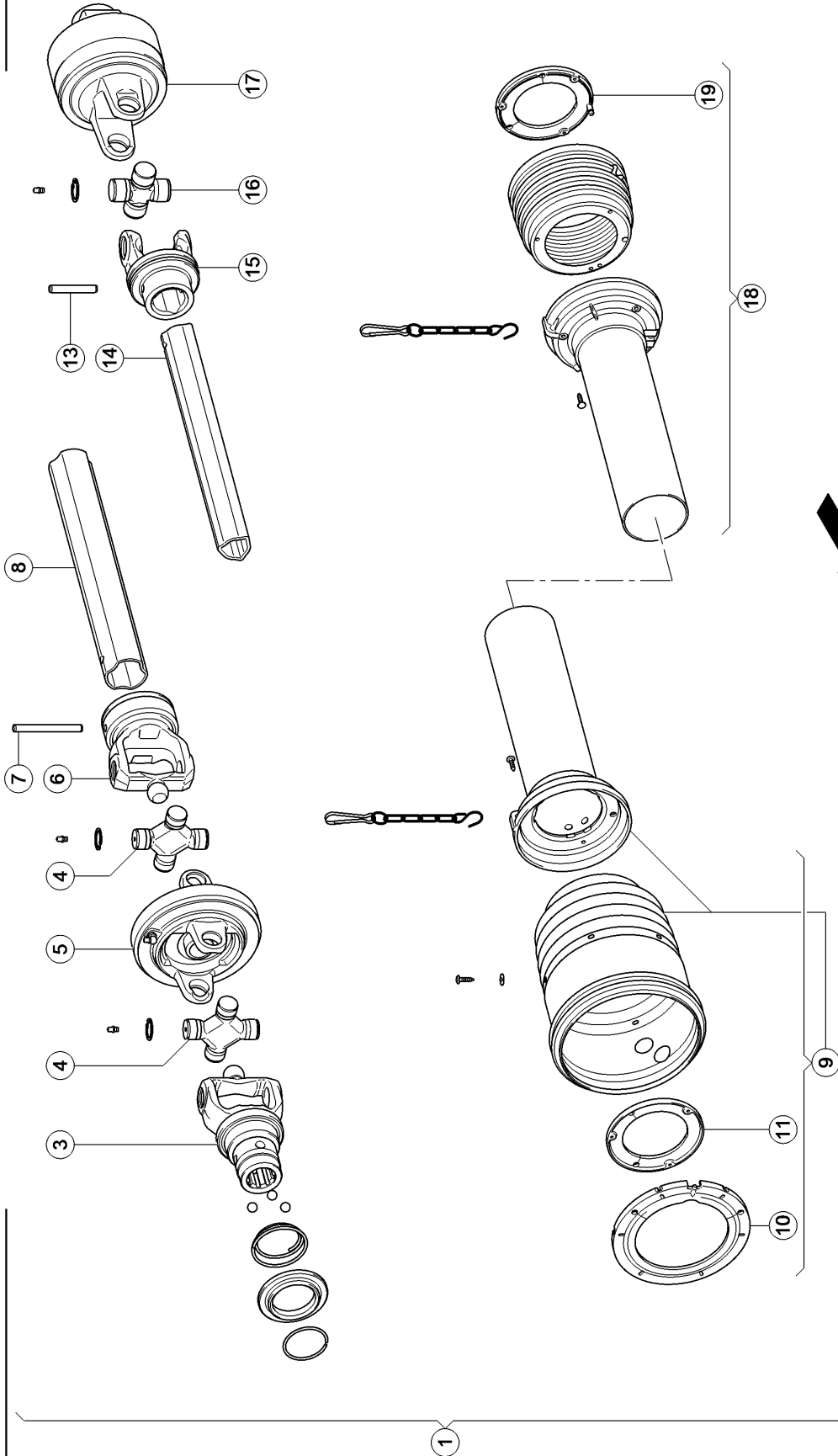
UNIVERSAL DRIVE SHAFT WITH CUT - OUT CLU 1)

Pos.	Part No.	Description	Dimension	Quantity	Conditions
1	00 0843 702 0	DRIVE SHAFT ASSY.		1	
3	00 0843 764 0	FORK		1	
4	00 0843 765 0	CENTRE CROSS ASS.		2	
5	00 0843 767 0	FORK		1	
6	00 0843 766 0	INNER FORK		1	
7	00 0234 862 0	SPRING PIN	10 X100	1	
8	00 0843 768 0	TUBE		1	
9	00 0843 762 0	GUARD HALF		1	2)
10	00 0844 557 0	RING		1	
11	00 0844 558 0	RING		1	
13	00 0244 579 0	SPRING PIN	10X65	1	
14	00 0843 773 0	TUBE		1	
15	00 0843 772 0	FORK		1	
16	00 0843 771 0	CENTRE CROSS ASS.		1	
17	00 0843 778 0	CLUTCH		1	3)
18	00 0843 763 0	GUARD HALF		1	4)
19	00 0836 346 0	RING		1	

1)	Remarks	m 04 / 60 = 6-Tlg. 1900 Nm
2)	Remarks	with Item 10. 11
3)	Remarks	see illustration 3a
4)	Remarks	with Item 19

2B

CLAAS



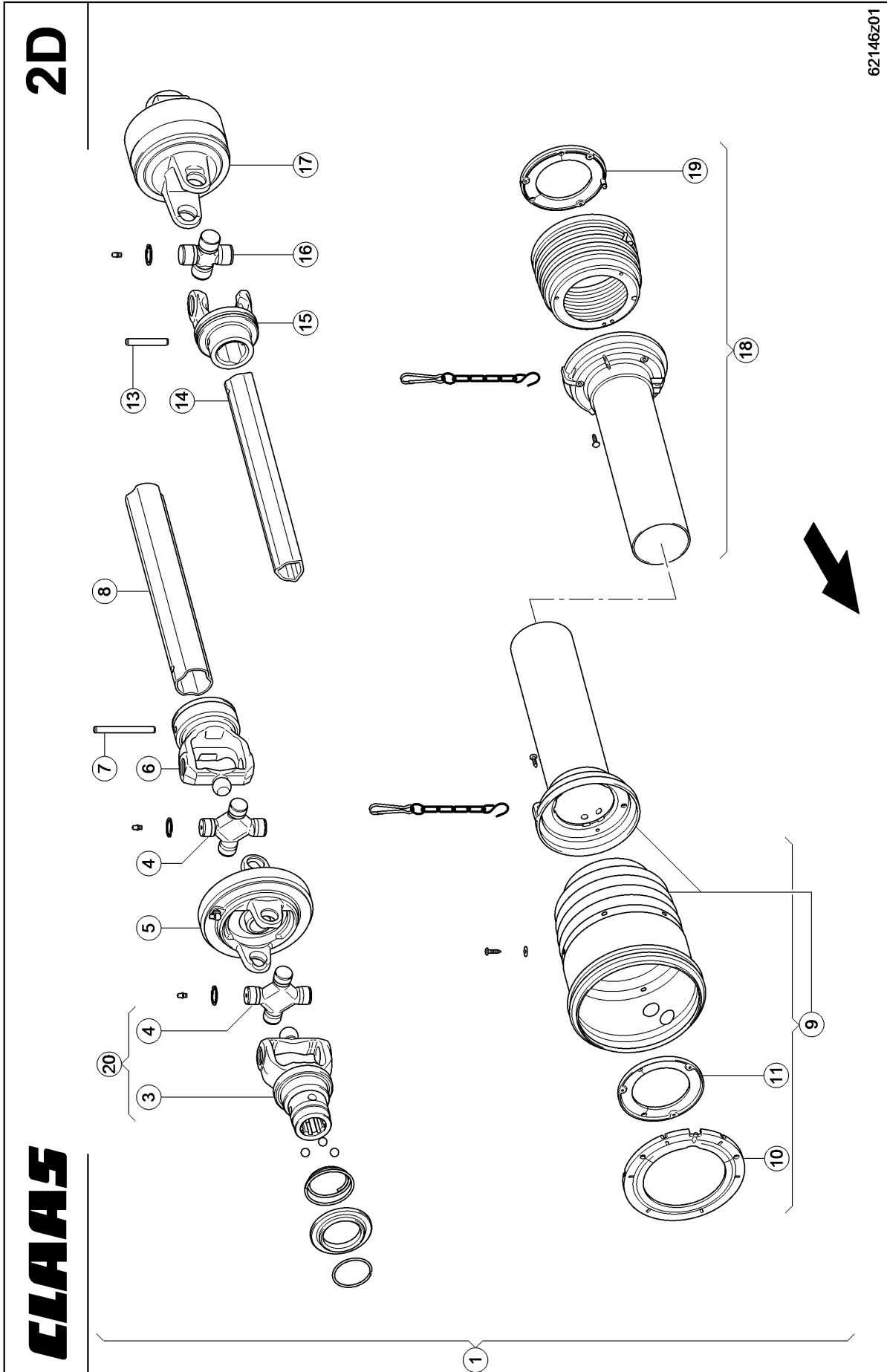
62145Z00
ROLLANT 354/354RC

150706

UNIVERSAL DRIVE SHAFT WITH CUT - OUT CLU 1)

Pos.	Part No.	Description	Dimension	Quantity	Conditions
1	00 0843 703 0	DRIVE SHAFT		1	2)
1	00 0843 704 0	DRIVE SHAFT ASSY.		1	3)
3	00 0843 764 0	FORK		1	2)
3	00 0843 792 0	FORK		1	3)
4	00 0843 765 0	CENTRE CROSS ASS.		2	
5	00 0843 767 0	FORK		1	
6	00 0843 766 0	INNER FORK		1	
7	00 0234 862 0	SPRING PIN	10 X100	1	
8	00 0843 768 0	TUBE		1	
9	00 0843 762 0	GUARD HALF		1	4)
10	00 0844 557 0	RING		1	
11	00 0844 558 0	RING		1	
13	00 0244 579 0	SPRING PIN	10X65	1	
14	00 0843 773 0	TUBE		1	
15	00 0843 772 0	FORK		1	
16	00 0843 771 0	CENTRE CROSS ASS.		1	
17	00 0843 789 0	CLUTCH		1	5)
18	00 0843 763 0	GUARD HALF		1	6)
19	00 0836 346 0	RING		1	

1) Remarks	m 04/170 1350 Nm / 6-Tlg. m 04/180 1350 Nm / 21-Tlg.
2) Remarks	6 piece
3) Remarks	21 piece
4) Remarks	with Item 10. 11
5) Remarks	see illustration plate 4A
6) Remarks	with Item 19



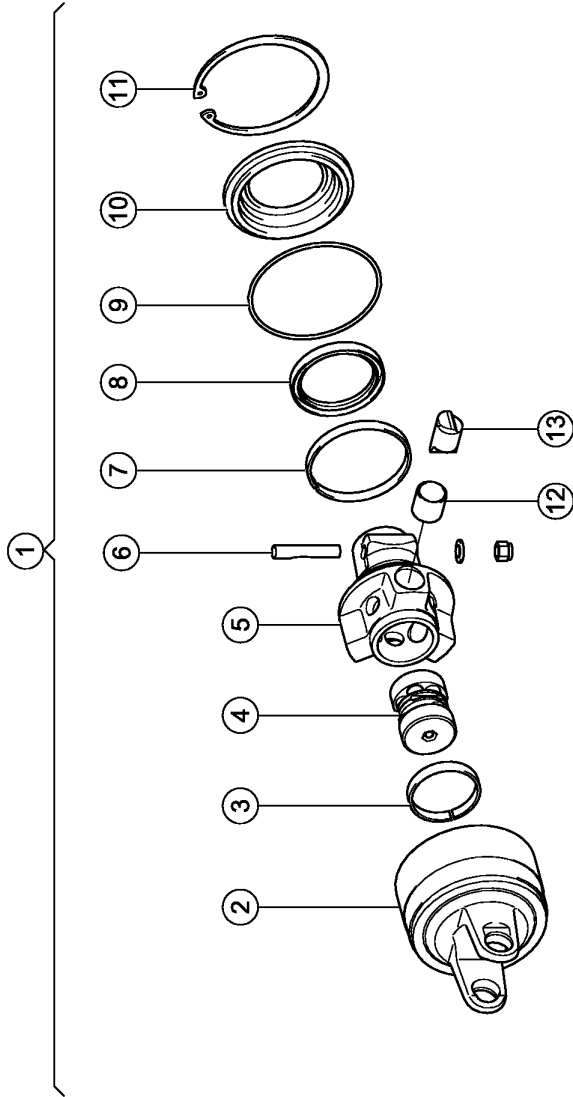
UNIVERSAL DRIVE SHAFT WITH CUT - OUT CLU 1)

Pos.	Part No.	Description	Dimension	Quantity	Conditions
1	00 0843 752 0	DRIVE SHAFT ASSY.		1	
3	00 0843 775 0	FORK		1	
4	00 0843 765 0	CENTRE CROSS ASS.		2	
5	00 0843 767 0	FORK		1	
6	00 0843 766 0	INNER FORK		1	
7	00 0234 862 0	SPRING PIN	10 X100	1	
8	00 0843 768 0	TUBE		1	
9	00 0843 762 0	GUARD HALF		1	2)
10	00 0844 557 0	RING		1	
11	00 0844 558 0	RING		1	
13	00 0244 579 0	SPRING PIN	10X65	1	
14	00 0843 773 0	TUBE		1	
15	00 0843 772 0	FORK		1	
16	00 0843 771 0	CENTRE CROSS ASS.		1	
17	00 0843 778 0	CLUTCH		1	3)
18	00 0843 763 0	GUARD HALF		1	4)
19	00 0836 346 0	RING		1	
20	00 0139 080 0	CENTRE CROSS ASS.		1	

1) Remarks	m 04 / 70 = 8-Tlg 2100 Nm
2) Remarks	with Item 10. 11
3) Remarks	see illustration 3a
4) Remarks	with Item 19

3A

CLAAS



62147Z00
ROLLANT 354/354RC

150708

CAM - TYPE CUT - OUT CLUTCH 1)

Pos.	Part No.	Description	Dimension	Quantity	Conditions
1	00 0843 778 0	CLUTCH		1	
2	00 0843 779 0	CLUTCH HOUSING		1	
3	00 0836 414 0	RING		1	
4	00 0843 780 1	SPRING KIT		1	
5	00 0843 781 0	HUB		1	
6	00 0843 782 0	CLAMPING SCREW		1	
7	00 0843 783 0	RING		1	
8	00 0843 784 0	SEALING RING		1	
9	00 0843 785 0	O-RING		1	
10	00 0843 786 0	COVER		1	
11	00 0214 628 0	CIRCLIP	138X4	1	
12	00 0836 417 0	BUSHING		3	
13	00 0836 416 0	BLOCK, BODY		3	

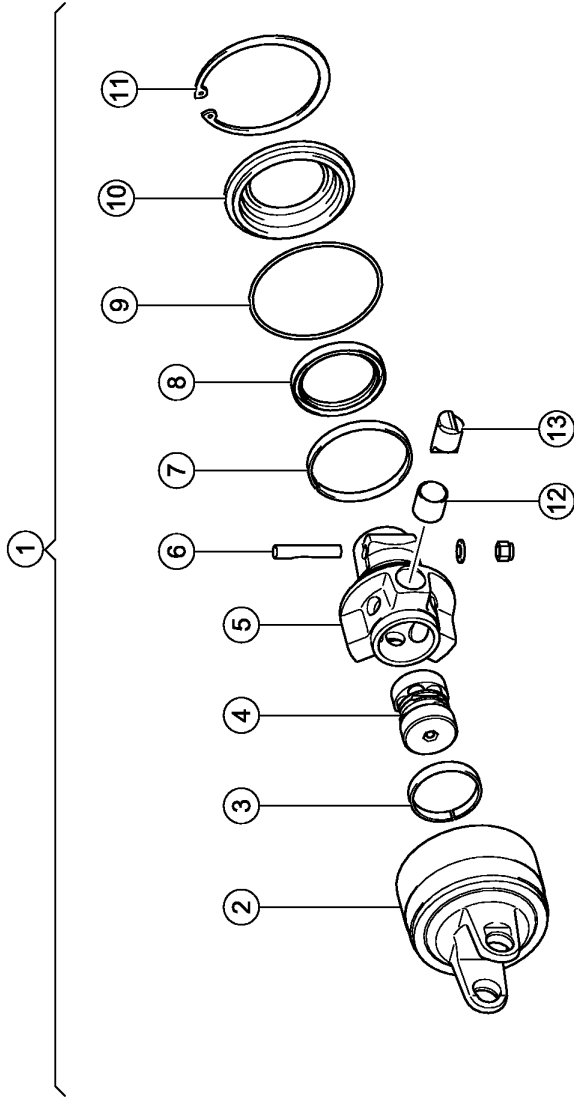
1) Remarks

540 U/Min - 2100 Nm

4A

CLAAS

ROLLANT 374/354 / RF/RC



62148Z00
ROLLANT 354/354RC

150709

CAM - TYPE CUT - OUT CLUTCH 1)

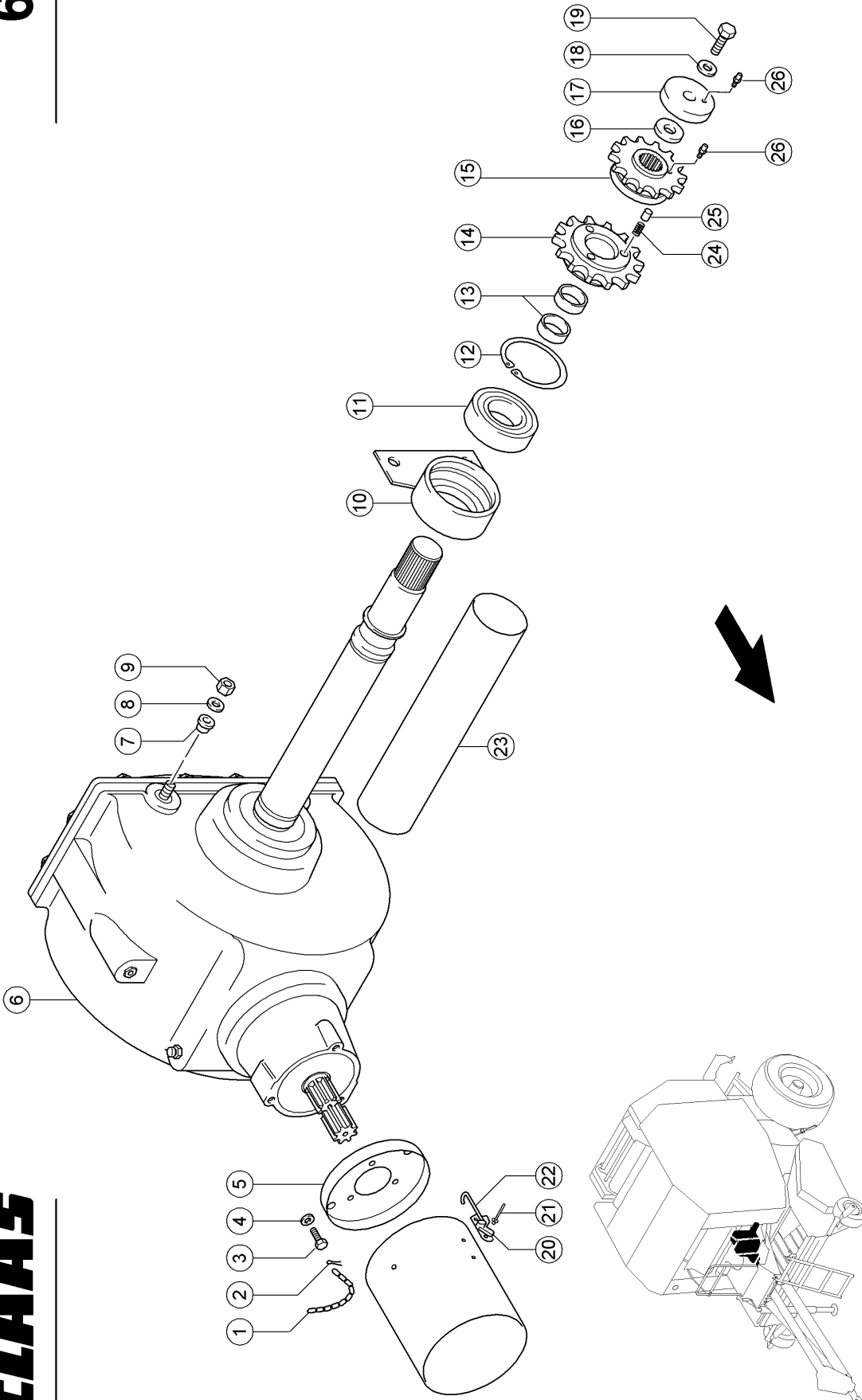
Pos.	Part No.	Description	Dimension	Quantity	Conditions
1	00 0843 789 0	CLUTCH		1	
2	00 0843 779 0	CLUTCH HOUSING		1	
3	00 0836 414 0	RING		1	
4	00 0843 790 1	SPRING KIT		1	
5	00 0843 781 0	HUB		1	
6	00 0843 782 0	CLAMPING SCREW		1	
7	00 0843 783 0	RING		1	
8	00 0843 784 0	SEALING RING		1	
9	00 0843 785 0	O-RING		1	
10	00 0843 786 0	COVER		1	
11	00 0214 628 0	CIRCLIP	138X4	1	
12	00 0836 417 0	BUSHING		3	
13	00 0836 416 0	BLOCK, BODY		3	

1) Remarks

1000 U/Min - 1350 Nm

6

CLAAS



62149Z00
ROLLANT 354/354RC

150710

GEARBOX WIT INTERMEDIATE DRIVE ASSY

Pos.	Part No.	Description	Dimension	Quantity	Conditions
1	00 0608 099 0	ROUND STEEL CHAIN	G 3X16-17GL	1	
2	00 0235 089 0	SPLIT PIN	4 X 22	1	
3	00 0237 439 0	HEXAGON HEAD BOLT	M8X16	3	
4	00 0239 387 0	CONTACT WASHER	A8-8,2X18X1,4	3	
5	00 0843 463 0	GUARD CUP	D206X1.5	1	
6	00 0858 470 0	GEARBOX	I=2,5	1	1)
6	00 0858 469 0	GEARBOX	I:1/4,33	1	2)
7	00 0810 117 0	BUSHING	D30X20	2	
8	00 0239 389 0	CONTACT WASHER	A12	2	
9	00 0236 172 0	HEXAGONAL NUT	M12	2	
10	00 0860 020 0	BEARING		1	
11	00 0238 782 3	GRVD.BALL BEARING	6311-2RS-C4-55X120 X29	1	
12	00 0243 063 0	CIRCLIP	120X4	1	
13	00 0945 677 0	BUSHING	55X60X20 109985	2	
14	00 0860 414 0	SPROCKET		1	3)
15	00 0860 412 0	SPROCKET		1	4)
16	00 0238 203 0	WASHER	16,5X33X1	1	
17	00 0837 347 0	WASHER	17X62X6	1	
18	00 0239 391 0	CONTACT WASHER	A16	1	
19	00 0235 821 0	HEXAGON HEAD BOLT	M16X40	1	
20	00 0822 996 0	PROTECT.TUBE CPL.		1	
21	00 0237 922 1	BLIND RIVET	A 4X12	4	
22	00 0822 998 1	LOCK		2	
23	00 0851 984 0	PROTECTIVE TUBE		1	5)
23	00 0837 364 0	PROTECTIVE TUBE		1	6)
24	00 0845 024 0	COMPRESS.SPRING	0,8X9X61	3	
25	00 0845 023 0	PIN	D14,85X36,7	3	
26	00 0236 942 0	GREASE NIPPLE	A S6X1	2	

1) Remarks see illustration plate 8A

2) Remarks see illustration plate 9A

3) Remarks with Item 13

4) Remarks with Item 26

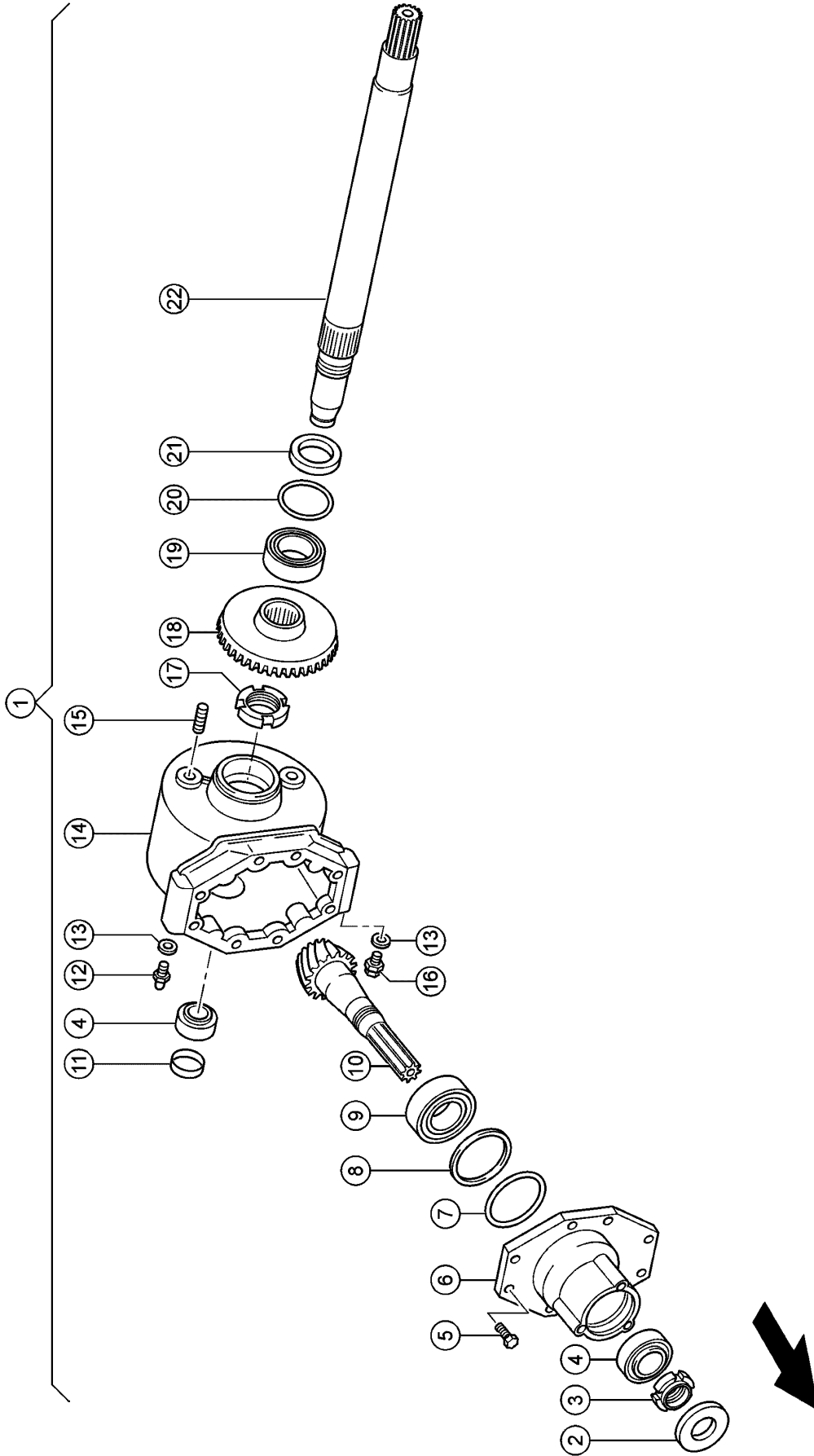
5) machine no. + from 76300731

6) machine no. + up to 76300730

CLAAS

8A

WALTERSCHEID



62151Z00
ROLLANT 354/354RC

150712

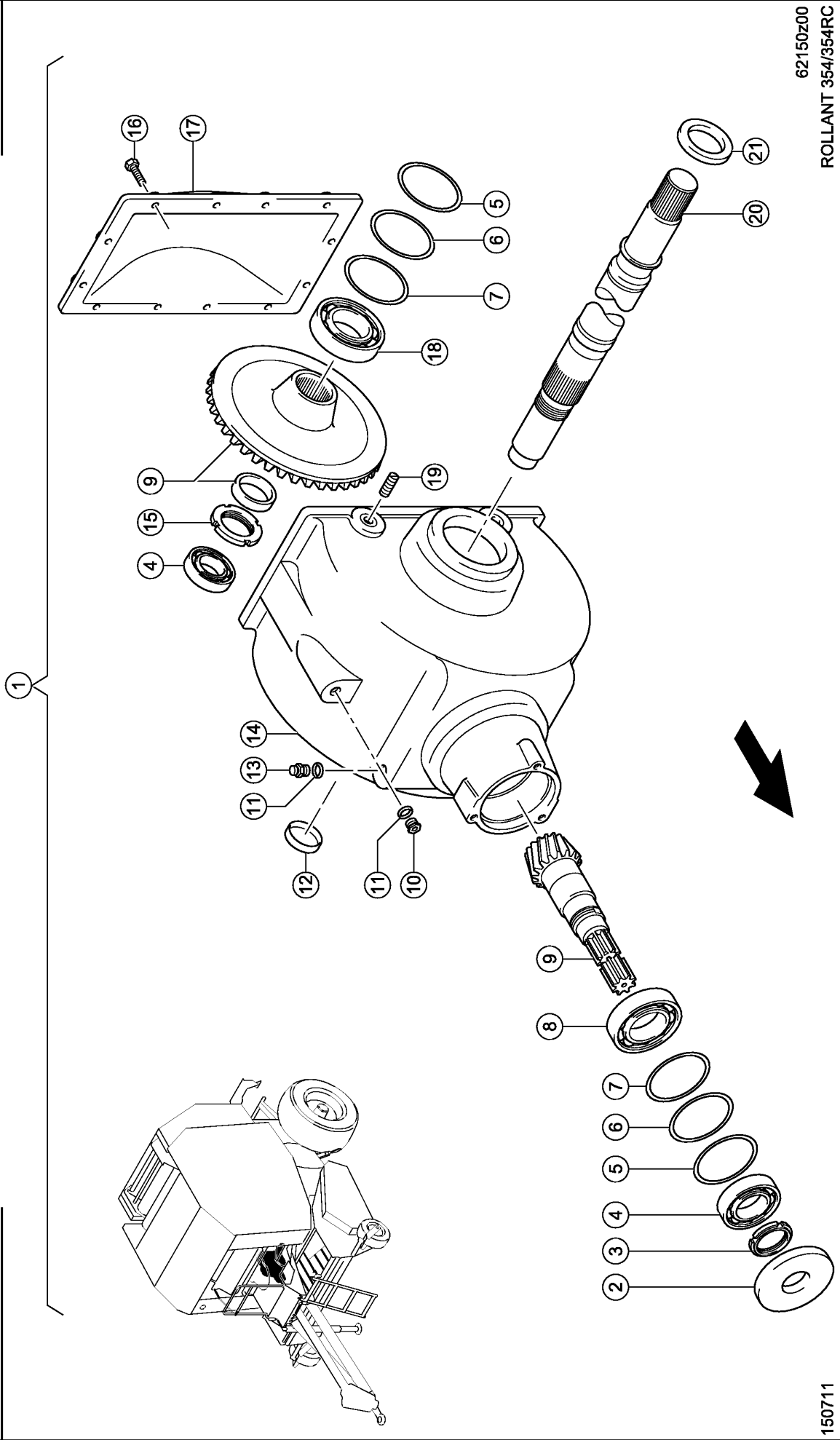
ANGLE DRIVE, 540 RPM 1)

Pos.	Part No.	Description	Dimension	Quantity	Conditions
1	00 0858 470 0	GEARBOX	I=2,5	1	
2	00 0213 766 0	SHAFT SEAL	AS 40X 90X12	1	
3	00 0823 994 0	SLOTTED NUT	M45X1,5	1	
4	00 0234 829 0	TA.ROLLER BEARING	30209 J2/Q	2	
5	00 0237 572 0	HEXAGON HEAD BOLT	M12X35	8	
6	00 0844 565 0	BEARING HOUSING		1	
7	00 0214 181 0	SHIM	110X120X0,5 ERS.D. 21418	1	
7	00 0214 180 0	SHIM	110X120X0,3 ERS.D. 21418	1	
7	00 0214 179 0	SHIM	110X120X0,1 ERS.D. 21417	1	
8	00 0845 324 0	RING		1	
9	00 0243 686 0	TA.ROLLER BEARING	30311A - 55X120X31,5	1	
10	00 0845 322 0	BEVEL GEAR SET	I=2,5	1	
11	00 0213 767 0	LOCKING COVER	55X10	2	
12	00 0940 866 0	BREATHER VALVE	M 16X1,5 M. SPRITZROHR	1	
13	00 0238 183 0	SEALING RING	A16 X20	4	
14	00 0844 564 0	HOUSING		1	
15	00 0244 014 1	STUD BOLT	M12X 45	2	
15	00 0940 866 0	BREATHER VALVE	M 16X1,5 M. SPRITZROHR	1	
16	00 0238 183 0	SEALING RING	A16 X20	4	
16	00 0244 351 0	SCREW PLUG	M16X1,5	3	
17	00 0823 993 0	SLOTTED NUT	M55X1,5	1	
18	00 0845 322 0	BEVEL GEAR SET	I=2,5	1	
19	00 0212 210 0	TA.ROLLER BEARING	330 12	1	
20	00 0213 765 0	SHIM	85X 95X0,5	1	
20	00 0213 764 0	SHIM	85X 95X0,3	1	
20	00 0213 962 0	SHIM	85X 95X0,1	2	
21	00 0211 034 0	ROTARY SHAFT SEAL	AS 60X 85X 8	1	
22	00 0851 337 0	SHAFT		1	
1)	Remarks	P 08 / 10 Walterscheid			

CLAAS

9A

WALTERSCHEID



62150z00
ROLLANT 354/354RC

150711

Thank you so much for reading.
Please click the “Buy Now!”
button below to download the
complete manual.



After you pay.

You can download the most
perfect and complete manual in
the world immediately.

Our support email:

ebooklibonline@outlook.com