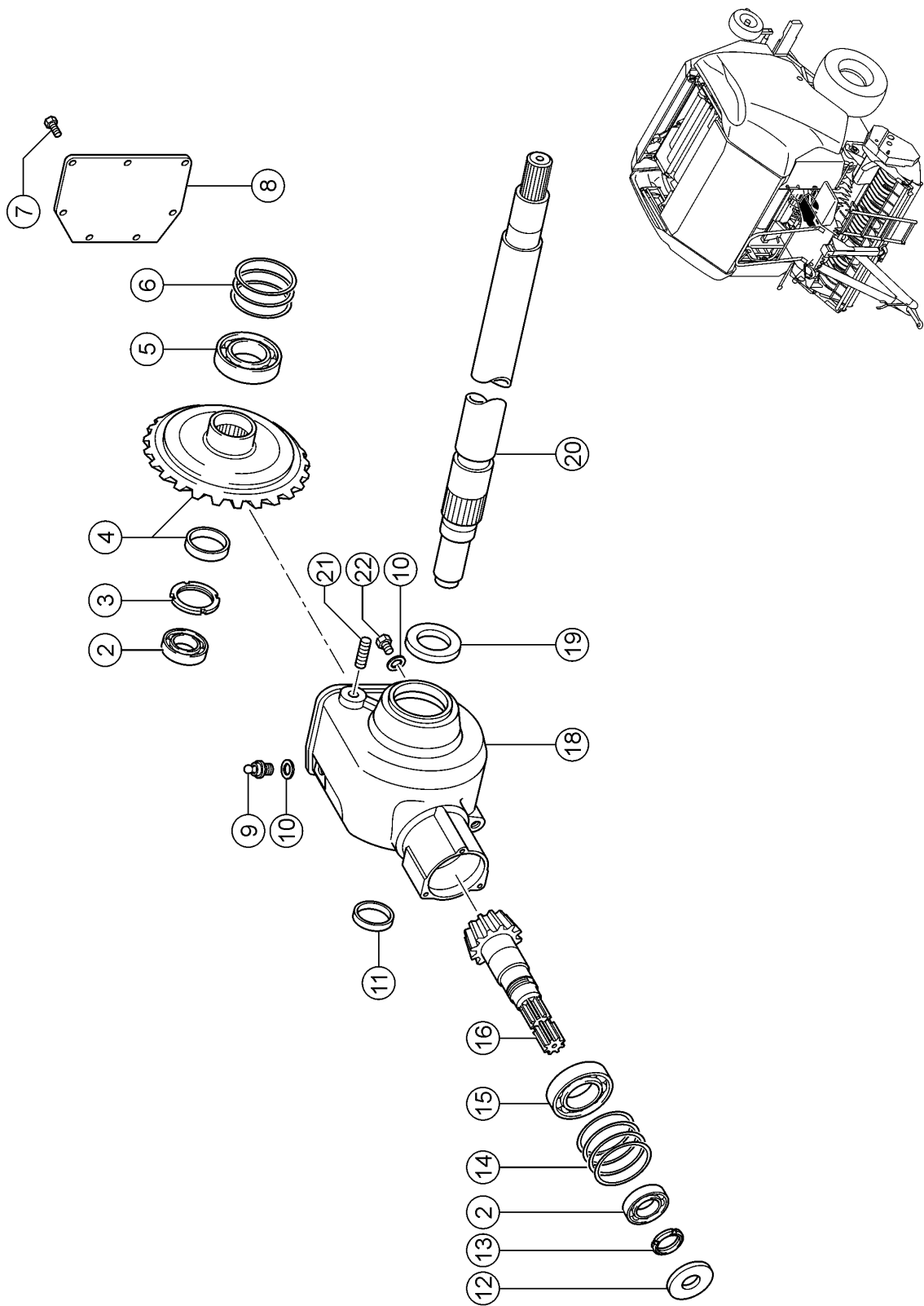


1

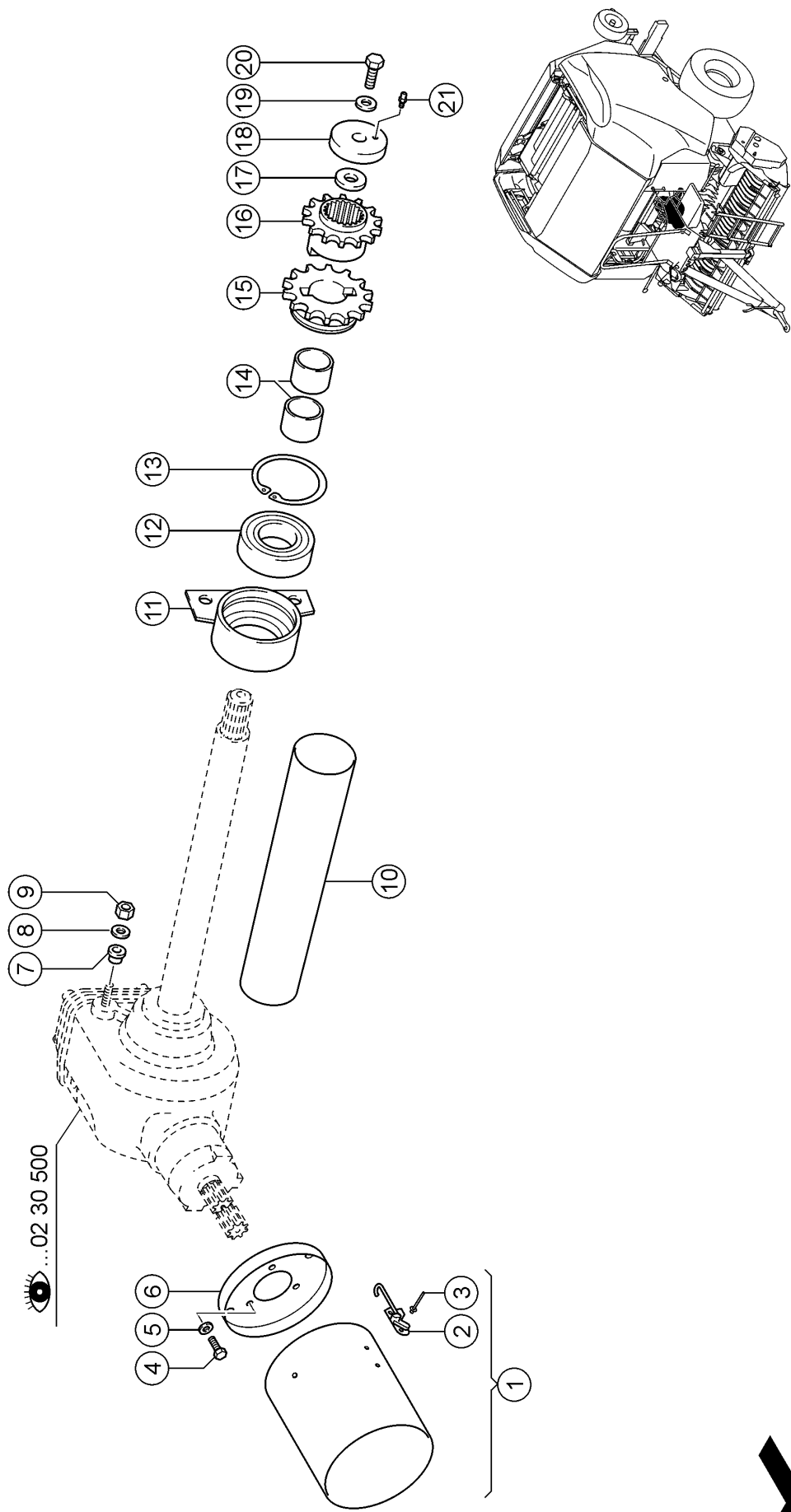


E0654 0230A500A 1

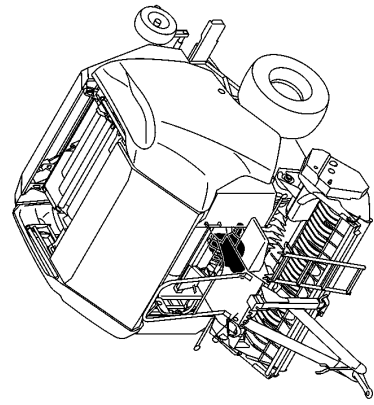


**500 MAIN GEARBOX**

<b>Pos.</b>	<b>Part No.</b>	<b>Description</b>	<b>Dimension</b>	<b>Quantity</b>	<b>Conditions</b>
1	<b>00 0858 471 0</b>	GEARBOX	I=2,33	1	
2	<b>00 0235 988 0</b>	TA.ROLLER BEARING	30208- 40X80X19,75	2	
3	<b>00 0823 993 0</b>	SLOTTED NUT	M55X1,5	1	
4	<b>00 0845 373 0</b>	WHEEL SET	I=2,33	1	
5	<b>00 0243 661 0</b>	TA.ROLLER BEARING	30212A	1	
6	<b>00 0211 963 0</b>	SHIM	100X110X0,1	2	
6	<b>00 0211 964 0</b>	SHIM	100X110X0,3	1	
6	<b>00 0211 965 0</b>	SHIM	100X110X0,5	1	
7	<b>00 0236 200 0</b>	HEXAGON HEAD BOLT	M8X20	6	
8	<b>00 0838 054 0</b>	COVER		1	
9	<b>00 0827 581 0</b>	BREATHER VALVE	1021-04-401-00	1	
10	<b>00 0238 183 0</b>	SEALING RING	A16 X20	2	
11	<b>00 0213 767 0</b>	LOCKING COVER	55X10	1	
12	<b>00 0212 737 0</b>	SHAFT SEAL	AS 35X 80X10	1	
13	<b>00 0838 060 0</b>	SLOTTED NUT	M40X1,5	1	
14	<b>00 0233 202 0</b>	SHIM	75X85X0,1	2	
14	<b>00 0233 203 0</b>	SHIM	75X85X0,3	1	
14	<b>00 0233 204 0</b>	SHIM	75X85X0,5	1	
14	<b>00 0233 205 0</b>	SHIM	75X85X1	1	
15	<b>00 0234 829 0</b>	TA.ROLLER BEARING	30209 J2/Q	1	
16	<b>00 0845 373 0</b>	WHEEL SET	I=2,33	1	
18	<b>00 0838 051 0</b>	HOUSING		1	
19	<b>00 0211 034 0</b>	ROTARY SHAFT SEAL	AS 60X 85X 8	1	
20	<b>00 0851 030 0</b>	SHAFT		1	
20	<b>00 0838 053 0</b>	SHAFT		1	
21	<b>00 0244 014 1</b>	STUD BOLT	M12X 45	2	
22	<b>00 0244 351 0</b>	SCREW PLUG	M16X1,5	1	



E0654 0230A700A 1



**700 FASTENINGS / ATTACHMENT PARTS 1)**

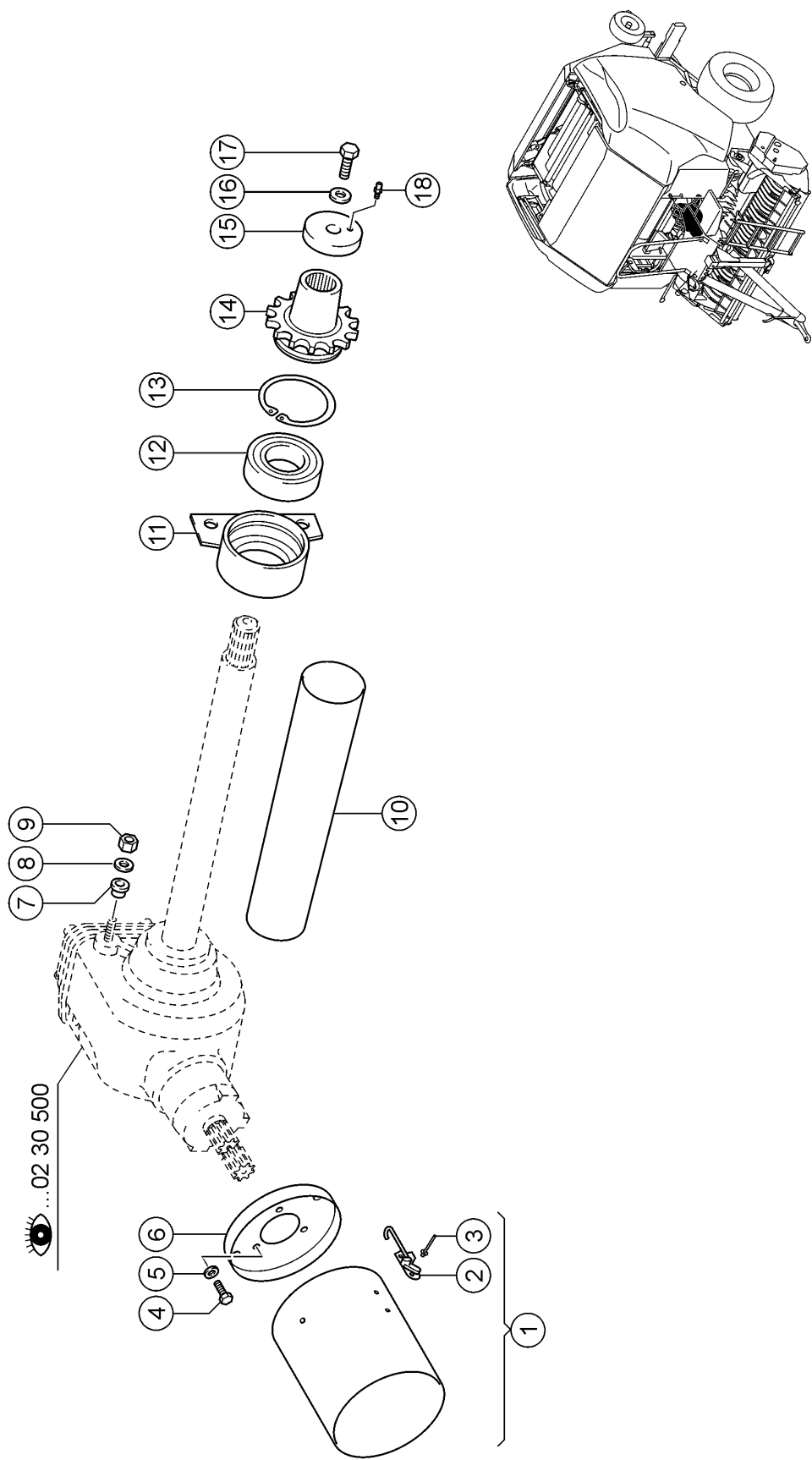
Pos.	Part No.	Description	Dimension	Quantity	Conditions
1	<b>00 0822 996 0</b>	PROTECT.TUBE CPL.		1	2)
2	<b>00 0822 998 1</b>	LOCK		2	
3	<b>00 0237 922 1</b>	BLIND RIVET	A 4X12	4	
4	<b>00 0237 439 0</b>	HEXAGON HEAD BOLT	M8X16	3	
5	<b>00 0239 387 0</b>	CONTACT WASHER	A8-8,2X18X1,4	3	
6	<b>00 0843 463 0</b>	GUARD CUP	D206X1.5	1	
7	<b>00 0810 117 0</b>	BUSHING	D30X20	2	
8	<b>00 0239 389 0</b>	CONTACT WASHER	A12	2	
9	<b>00 0236 172 0</b>	HEXAGONAL NUT	M12	2	
10	<b>00 0837 364 0</b>	PROTECTIVE TUBE		1	
11	<b>00 0860 020 0</b>	BEARING		1	
12	<b>00 0238 782 3</b>	GRVD.BALL BEARING	6311-2RS-C4-55X120 X29	1	
13	<b>00 0243 063 0</b>	CIRCLIP	120X4	1	
14	<b>00 0945 677 0</b>	BUSHING	55X60X20 109985	2	
15	<b>00 0860 067 0</b>	SPROCKET	16ZX31,75	1	
16	<b>00 0860 021 0</b>	SPROCKET	13ZX31,75	1	
17	<b>00 0238 203 0</b>	WASHER	16,5X33X1	1	
18	<b>00 0837 347 0</b>	WASHER	17X62X6	1	
19	<b>00 0239 391 0</b>	CONTACT WASHER	A16	1	
20	<b>00 0235 821 0</b>	HEXAGON HEAD BOLT	M16X40	1	
21	<b>00 0236 942 0</b>	GREASE NIPPLE	A S6X1	1	

**1) Equipment**

PR_C06_0010	ROTO FEED feed rotor
PR_C06_0020	ROTO CUT cutting rotor
PR_C06_0030	Feed rotor for pick-up
PR_C06_0040	Cutting rotor
PR_C06_0410	Packer with pick-up and baffle plate, pick-up width 2.10 m
PR_C06_0420	Cutting rotor with baffle plate, pick-up width 2.10 m

**2) Remarks**

with Item 2 - 3



**700 FASTENINGS / ATTACHMENT PARTS 1)**

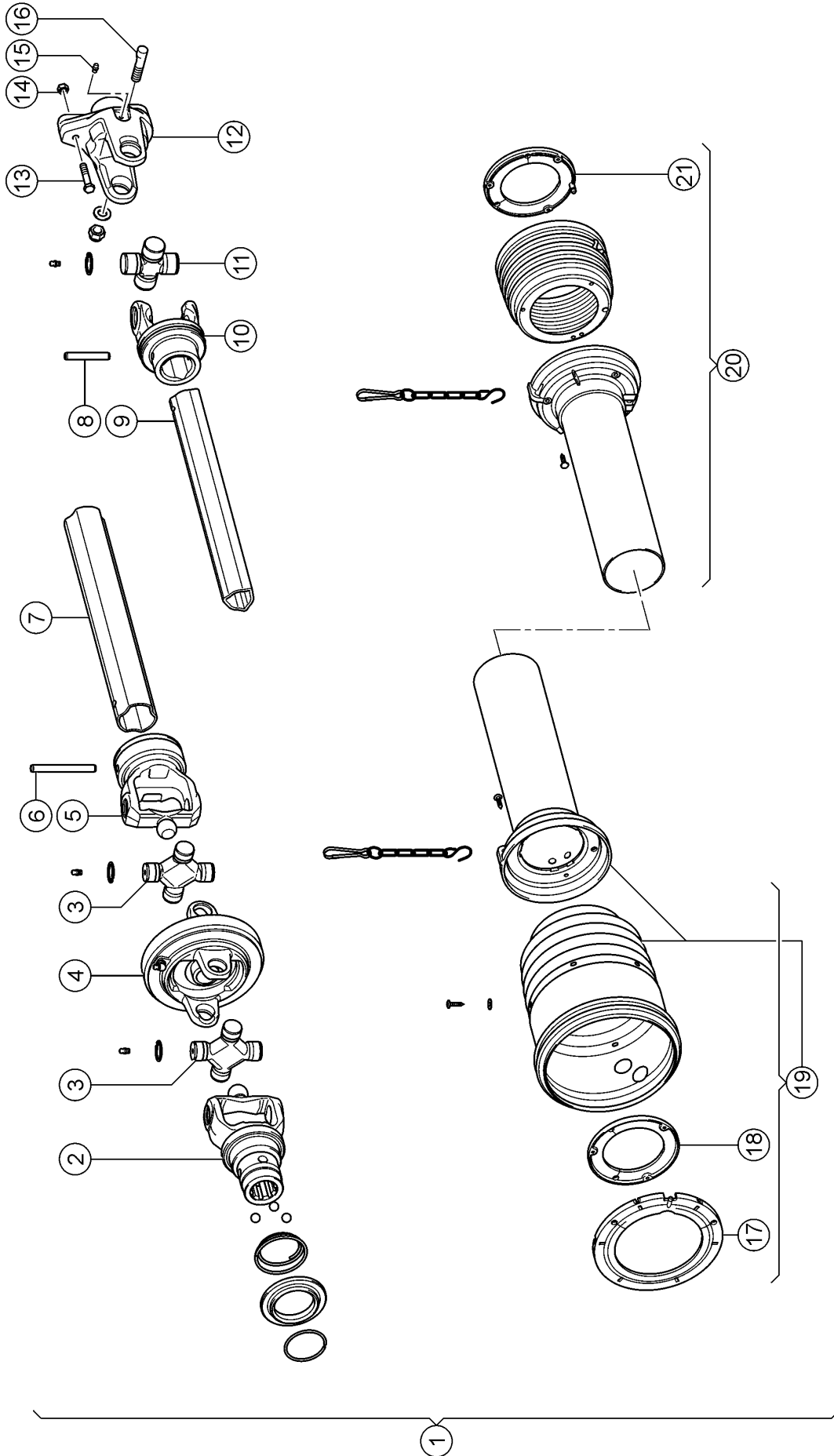
Pos.	Part No.	Description	Dimension	Quantity	Conditions
1	<b>00 0822 996 0</b>	PROTECT.TUBE CPL.		1	2)
2	<b>00 0822 998 1</b>	LOCK		2	
3	<b>00 0237 922 1</b>	BLIND RIVET	A 4X12	4	
4	<b>00 0237 439 0</b>	HEXAGON HEAD BOLT	M8X16	3	
5	<b>00 0239 387 0</b>	CONTACT WASHER	A8-8,2X18X1,4	3	
6	<b>00 0843 463 0</b>	GUARD CUP	D206X1.5	1	
7	<b>00 0810 117 0</b>	BUSHING	D30X20	2	
8	<b>00 0239 389 0</b>	CONTACT WASHER	A12	2	
9	<b>00 0236 172 0</b>	HEXAGONAL NUT	M12	2	
10	<b>00 0837 364 0</b>	PROTECTIVE TUBE		1	
11	<b>00 0860 020 0</b>	BEARING		1	
12	<b>00 0238 782 3</b>	GRVD.BALL BEARING	6311-2RS-C4-55X120	1	
13	<b>00 0243 063 0</b>	CIRCLIP	120X4	1	
14	<b>00 0860 383 0</b>	SPROCKET	16ZX31.75	1	
15	<b>00 0837 347 0</b>	WASHER	17X62X6	1	
16	<b>00 0239 391 0</b>	CONTACT WASHER	A16	1	
17	<b>00 0235 821 0</b>	HEXAGON HEAD BOLT	M16X40	1	
18	<b>00 0236 944 0</b>	GREASE NIPPLE	C S6X1	1	

**1) Equipment**

PR_C06_0090	Packer
PR_C06_0130	Packer with pick-up
PR_C06_0400	Packer with pick-up and baffle plate, pick-up width 1.85 m

**2) Remarks**

with Item 2 - 3



**100 DRIVE SHAFT, MAIN DRIVE 1)**

Pos.	Part No.	Description	Dimension	Quantity	Conditions
1	<b>00 0843 756 0</b>	DRIVE SHAFT ASSY.		1	2)
2	<b>00 0843 764 0</b>	FORK		1	2)
3	<b>00 0843 765 0</b>	CENTRE CROSS ASS.		2	
4	<b>00 0843 767 0</b>	FORK		1	
5	<b>00 0843 766 0</b>	INNER FORK		1	
6	<b>00 0234 862 0</b>	SPRING PIN	10 X100	1	
7	<b>00 0843 768 0</b>	TUBE		1	
8	<b>00 0244 579 0</b>	SPRING PIN	10X65	1	
9	<b>00 0843 773 0</b>	TUBE		1	
10	<b>00 0843 772 0</b>	FORK		1	
11	<b>00 0843 771 0</b>	CENTRE CROSS ASS.		1	
12	<b>00 0843 777 0</b>	SHEAR BOLT CLUTCH		1	
13	<b>00 0237 341 0</b>	HEXAGON HEAD BOLT	M08X45	1	
14	<b>00 0238 132 0</b>	LOCK NUT	M8	1	
15	<b>00 0236 942 0</b>	GREASE NIPPLE	A S6X1	1	
16	<b>00 0843 770 0</b>	CLAMPING SCREW	1-3/8"Z6-Z21	1	
17	<b>00 0844 557 0</b>	RING		1	
18	<b>00 0844 558 0</b>	RING		1	
19	<b>00 0843 762 0</b>	GUARD HALF		1	3)
20	<b>00 0843 763 0</b>	GUARD HALF		1	4)
21	<b>00 0836 346 0</b>	RING		1	

**1) Equipment**

PR\_M04\_0010

Single wide-angle PTO drive shaft with shearbolt, 6 splines

**2) Remarks**

6 splines

**3) Remarks**

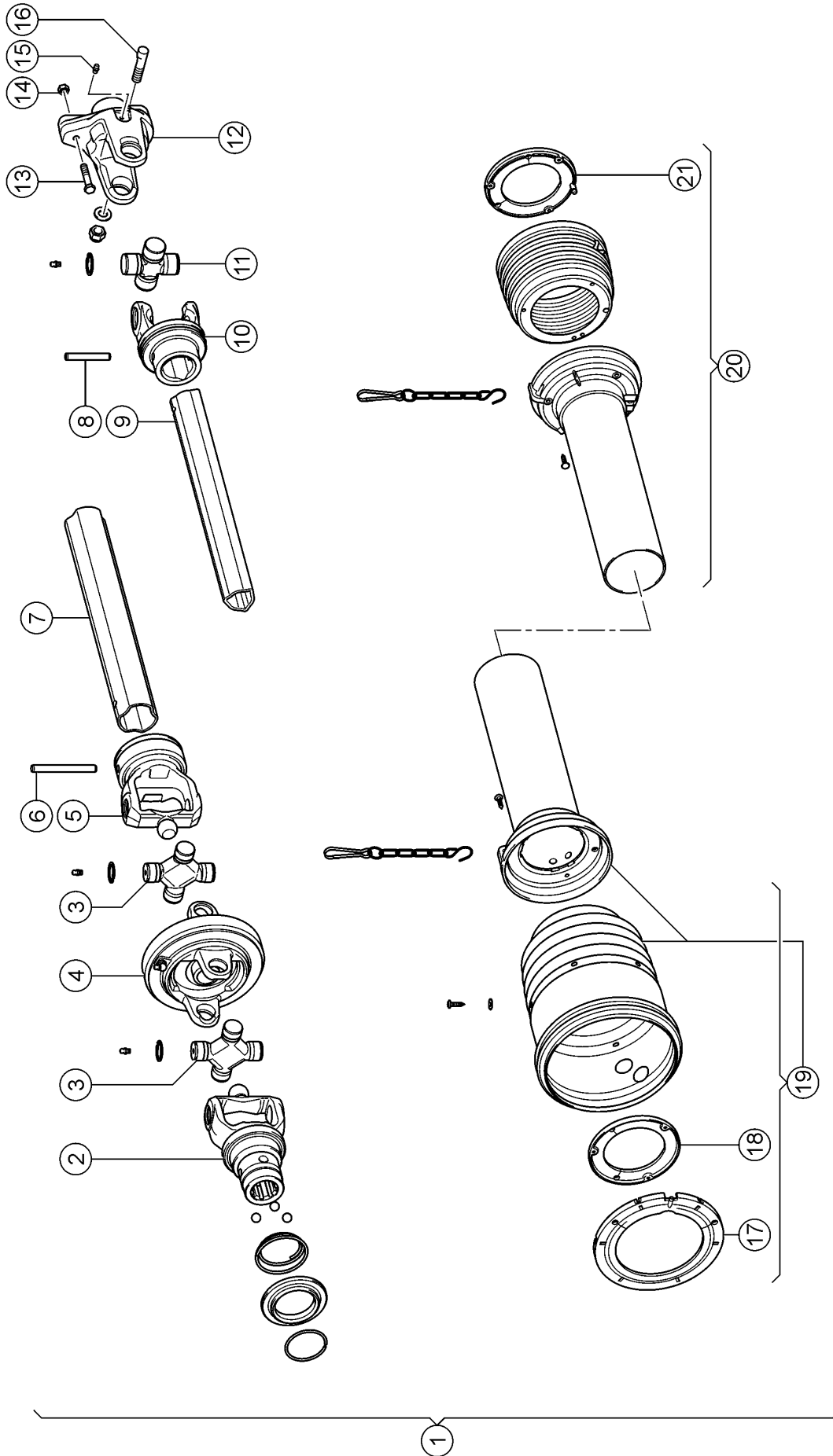
with Item 17-18

**4) Remarks**

with Item 21



E0654 0260A100B1



**100 DRIVE SHAFT, MAIN DRIVE 1)**

Pos.	Part No.	Description	Dimension	Quantity	Conditions
1	<b>00 0843 757 0</b>	DRIVE SHAFT ASSY.		1	2)
2	<b>00 0843 775 0</b>	FORK		1	2)
3	<b>00 0843 765 0</b>	CENTRE CROSS ASS.		2	
4	<b>00 0843 767 0</b>	FORK		1	
5	<b>00 0843 766 0</b>	INNER FORK		1	
6	<b>00 0234 862 0</b>	SPRING PIN	10 X100	1	
7	<b>00 0843 768 0</b>	TUBE		1	
8	<b>00 0244 579 0</b>	SPRING PIN	10X65	1	
9	<b>00 0843 773 0</b>	TUBE		1	
10	<b>00 0843 772 0</b>	FORK		1	
11	<b>00 0843 771 0</b>	CENTRE CROSS ASS.		1	
12	<b>00 0843 777 0</b>	SHEAR BOLT CLUTCH		1	
13	<b>00 0237 341 0</b>	HEXAGON HEAD BOLT	M08X45	1	
14	<b>00 0238 132 0</b>	LOCK NUT	M8	1	
15	<b>00 0236 942 0</b>	GREASE NIPPLE	A S6X1	1	
16	<b>00 0843 770 0</b>	CLAMPING SCREW	1-3/8"Z6-Z21	1	
17	<b>00 0844 557 0</b>	RING		1	
18	<b>00 0844 558 0</b>	RING		1	
19	<b>00 0843 762 0</b>	GUARD HALF		1	3)
20	<b>00 0843 763 0</b>	GUARD HALF		1	4)
21	<b>00 0836 346 0</b>	RING		1	

**1) Equipment**

PR\_M04\_0020

Single wide-angle universal drive shaft with shearbolt

**2) Remarks**

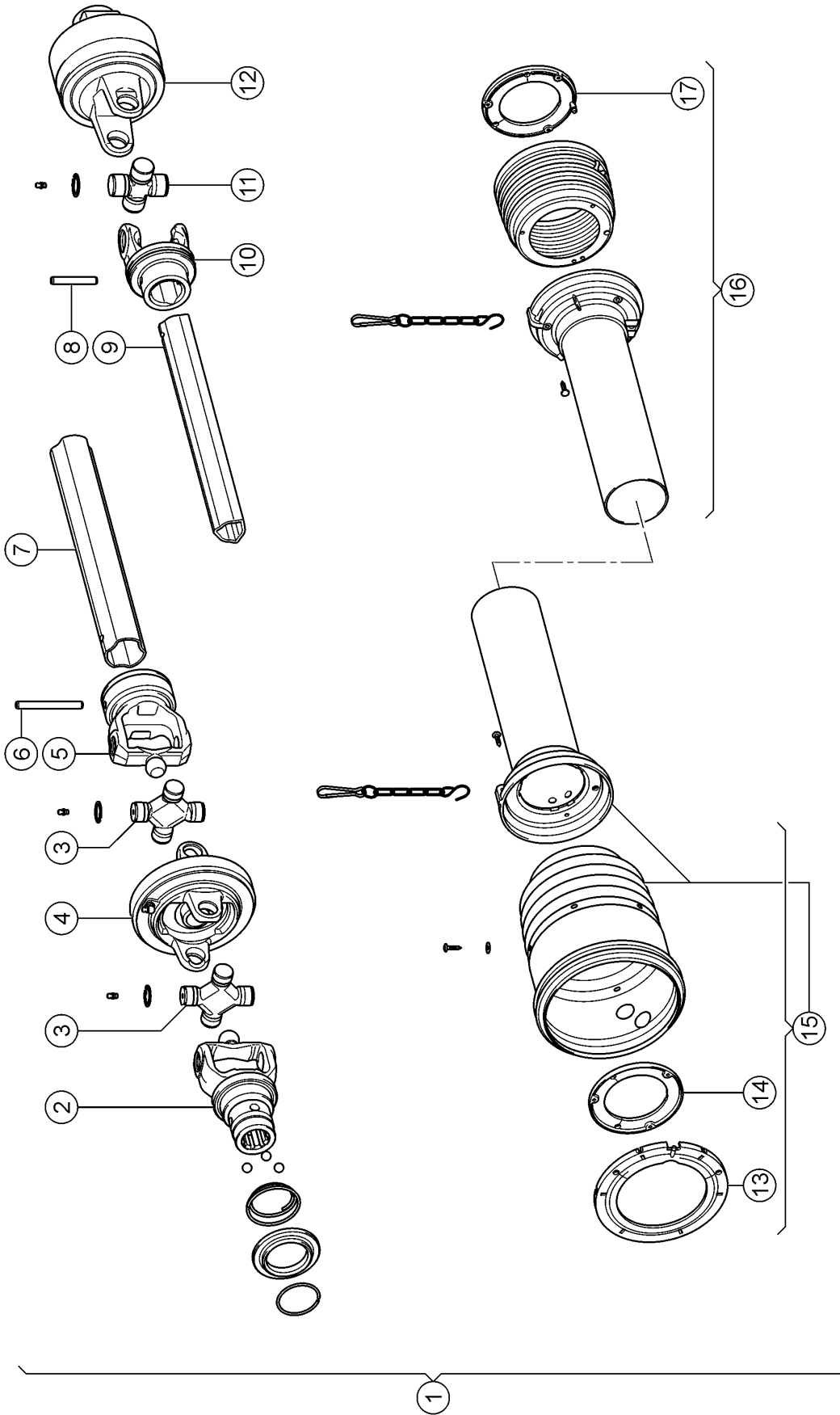
8 cannelures

**3) Remarks**

with Item 17-18

**4) Remarks**

with Item 21



**100 DRIVE SHAFT, MAIN DRIVE 1)**

Pos.	Part No.	Description	Dimension	Quantity	Conditions
1	<b>00 0843 758 0</b>	DRIVE SHAFT ASSY.		1	2)
2	<b>00 0843 764 0</b>	FORK		1	2)
3	<b>00 0843 765 0</b>	CENTRE CROSS ASS.		2	
4	<b>00 0843 767 0</b>	FORK		1	
5	<b>00 0843 766 0</b>	INNER FORK		1	
6	<b>00 0234 862 0</b>	SPRING PIN	10 X100	1	
7	<b>00 0843 768 0</b>	TUBE		1	
8	<b>00 0244 579 0</b>	SPRING PIN	10X65	1	
9	<b>00 0843 773 0</b>	TUBE		1	
10	<b>00 0843 772 0</b>	FORK		1	
11	<b>00 0843 771 0</b>	CENTRE CROSS ASS.		1	
12	<b>00 0843 797 0</b>	CLUTCH		1	
13	<b>00 0844 557 0</b>	RING		1	
14	<b>00 0844 558 0</b>	RING		1	
15	<b>00 0843 762 0</b>	GUARD HALF		1	3)
16	<b>00 0843 763 0</b>	GUARD HALF		1	4)
17	<b>00 0836 346 0</b>	RING		1	

**1) Equipment**

PR\_M04\_0060

Single wide-angle PTO drive shaft with cam clutch

PR\_M04\_0380

Single wide-angle PTO drive shaft with cam clutch, 6 splines

**2) Remarks**

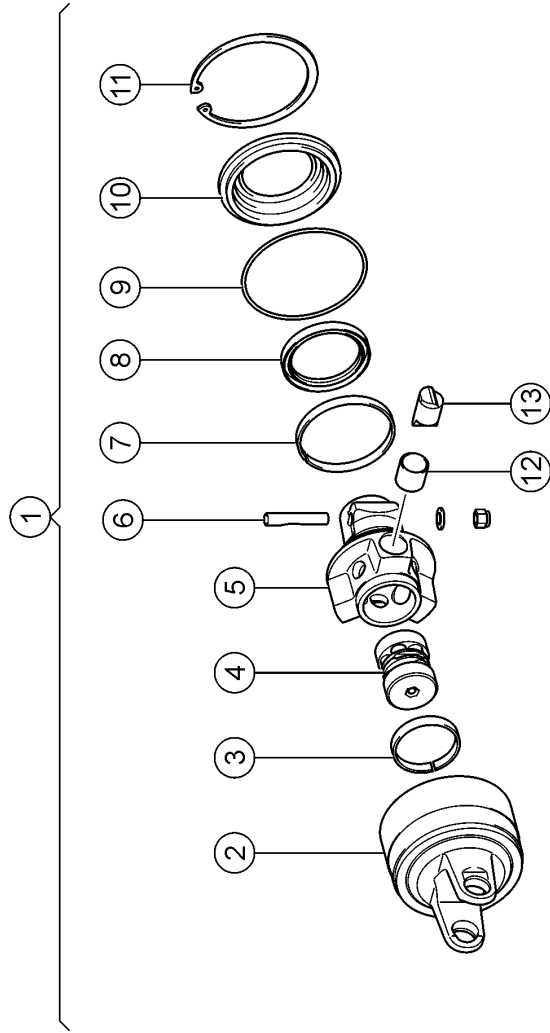
6 splines

**3) Remarks**

with item 13 - 14

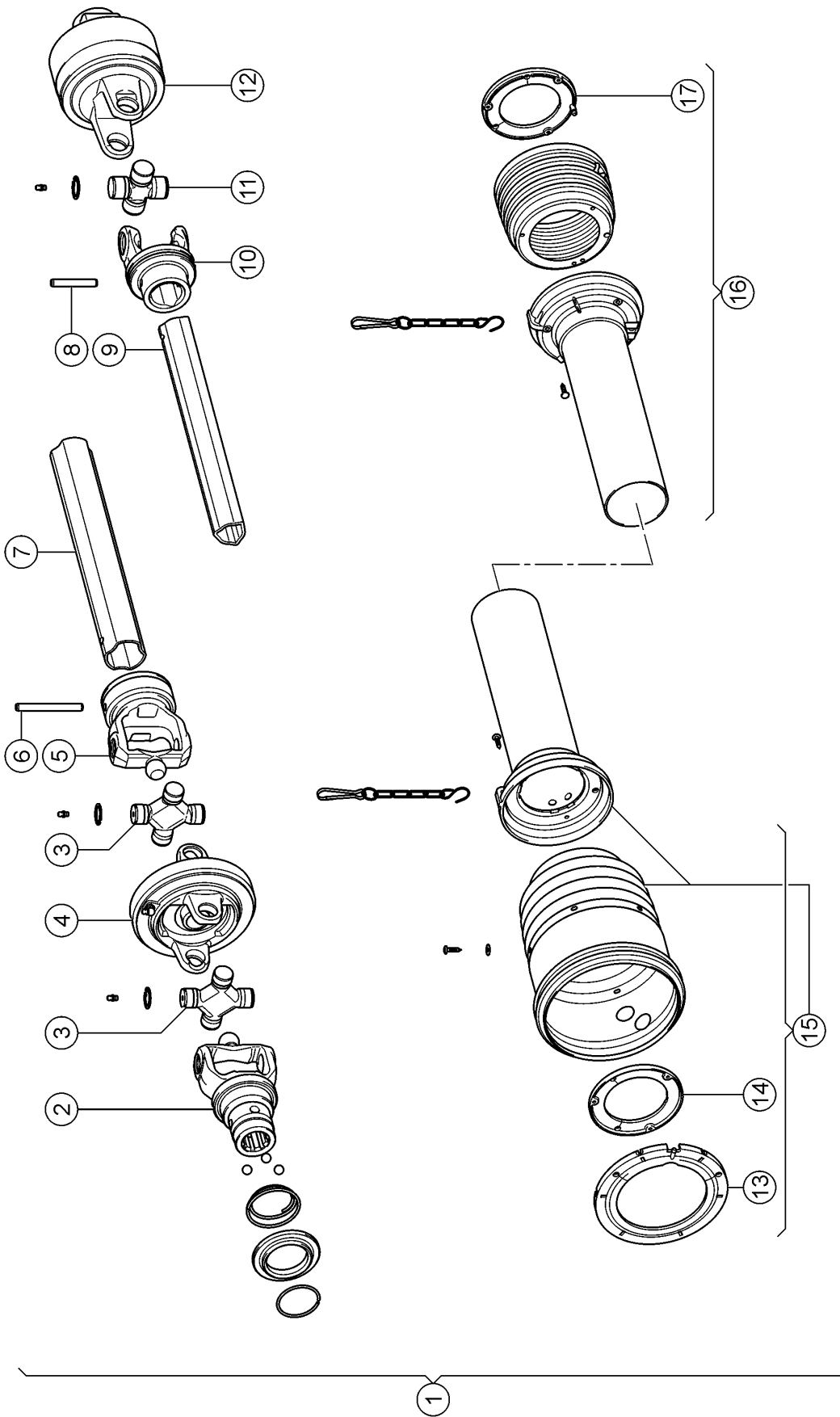
**4) Remarks**

with Item 17



**100 DRIVE SHAFT, MAIN DRIVE 1)**

Pos.	Part No.	Description	Dimension	Quantity	Conditions
1	<b>00 0843 797 0</b>	CLUTCH		1	
2	<b>00 0843 779 0</b>	CLUTCH HOUSING		1	
3	<b>00 0836 414 0</b>	RING		1	
4	<b>00 0843 798 0</b>	SPRING KIT		1	
5	<b>00 0843 781 0</b>	HUB		1	
6	<b>00 0843 782 0</b>	CLAMPING SCREW		1	
7	<b>00 0843 783 0</b>	RING		1	
8	<b>00 0843 784 0</b>	SEALING RING		1	
9	<b>00 0843 785 0</b>	O-RING		1	
10	<b>00 0843 786 0</b>	COVER		1	
11	<b>00 0214 628 0</b>	CIRCLIP	138X4	1	
12	<b>00 0836 417 0</b>	BUSHING		3	
13	<b>00 0836 416 0</b>	BLOCK, BODY		3	
<b>1) Equipment</b>					
		PR_M04_0060			Single wide-angle PTO drive shaft with cam clutch
		PR_M04_0380			Single wide-angle PTO drive shaft with cam clutch, 6 splines



**100 DRIVE SHAFT, MAIN DRIVE 1)**

Pos.	Part No.	Description	Dimension	Quantity	Conditions
1	<b>00 0843 759 0</b>	DRIVE SHAFT ASSY.		1	2)
2	<b>00 0843 775 0</b>	FORK		1	2)
3	<b>00 0843 765 0</b>	CENTRE CROSS ASS.		2	
4	<b>00 0843 767 0</b>	FORK		1	
5	<b>00 0843 766 0</b>	INNER FORK		1	
6	<b>00 0234 862 0</b>	SPRING PIN	10 X100	1	
7	<b>00 0843 768 0</b>	TUBE		1	
8	<b>00 0244 579 0</b>	SPRING PIN	10X65	1	
9	<b>00 0843 773 0</b>	TUBE		1	
10	<b>00 0843 772 0</b>	FORK		1	
11	<b>00 0843 771 0</b>	CENTRE CROSS ASS.		1	
12	<b>00 0843 797 0</b>	CLUTCH		1	
13	<b>00 0844 557 0</b>	RING		1	
14	<b>00 0844 558 0</b>	RING		1	
15	<b>00 0843 762 0</b>	GUARD HALF		1	3)
16	<b>00 0843 763 0</b>	GUARD HALF		1	4)
17	<b>00 0836 346 0</b>	RING		1	

**1) Equipment**

PR\_M04\_0070

Single wide-angle PTO drive shaft with cam clutch

**2) Remarks**

8 cannelures

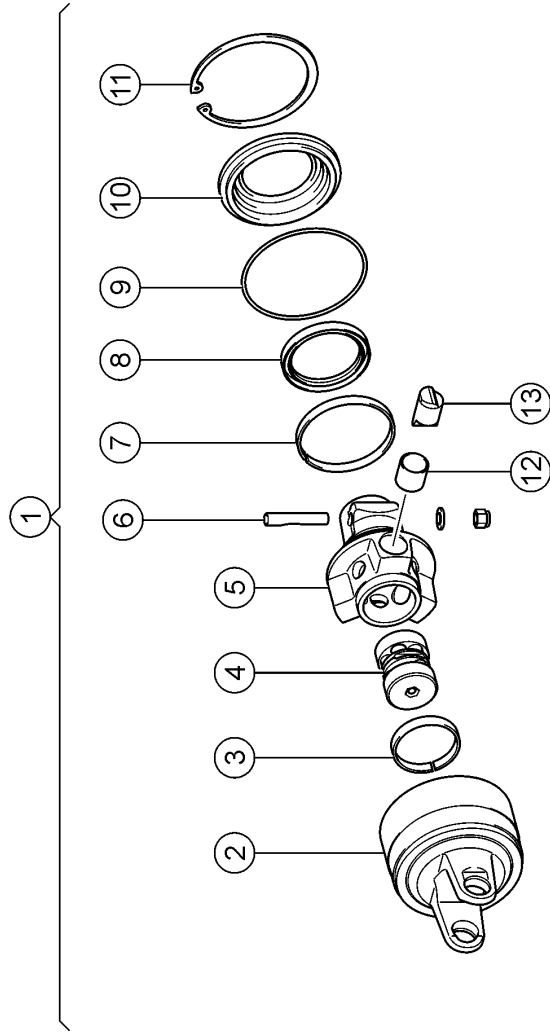
**3) Remarks**

with item 13 - 14

**4) Remarks**

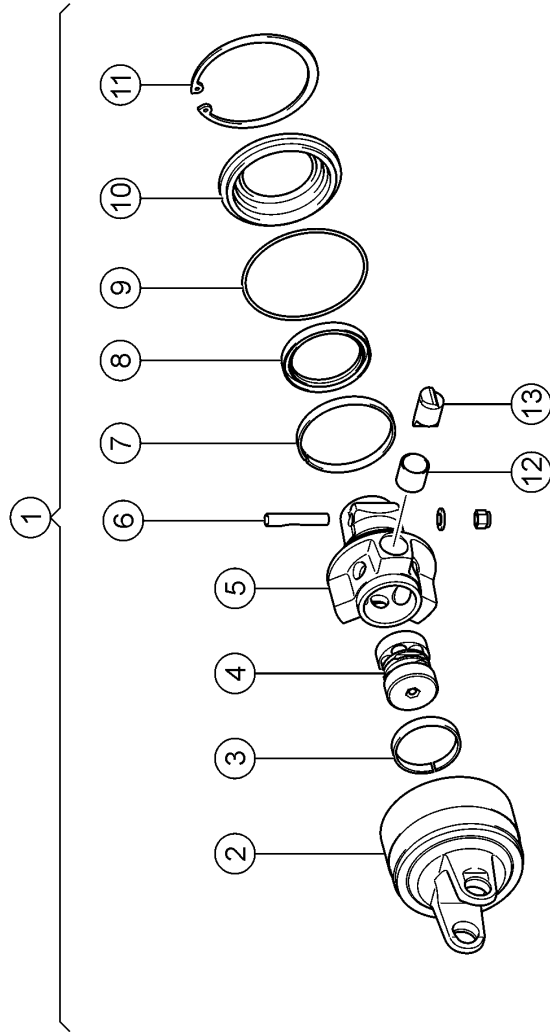
with Item 17





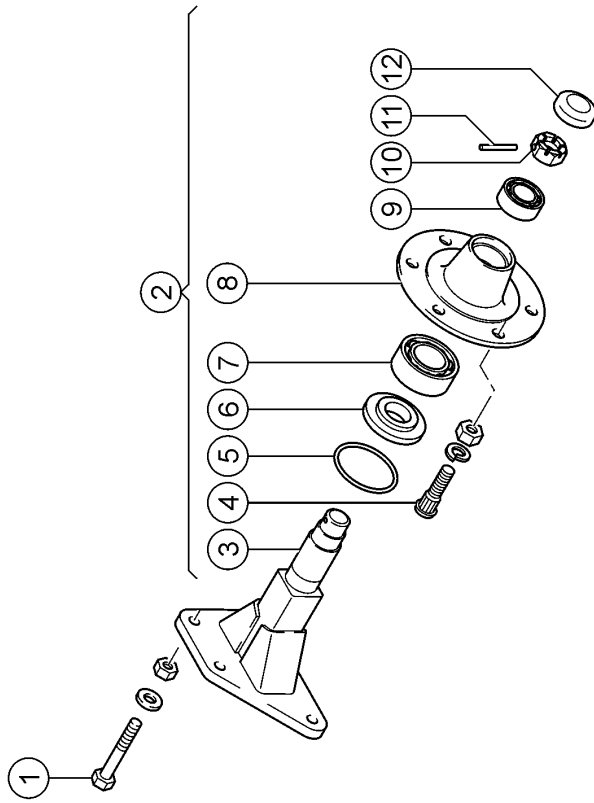
**100 DRIVE SHAFT, MAIN DRIVE 1)**

Pos.	Part No.	Description	Dimension	Quantity	Conditions
1	<b>00 0843 797 0</b>	CLUTCH		1	
2	<b>00 0843 779 0</b>	CLUTCH HOUSING		1	
3	<b>00 0836 414 0</b>	RING		1	
4	<b>00 0843 798 0</b>	SPRING KIT		1	
5	<b>00 0843 781 0</b>	HUB		1	
6	<b>00 0843 782 0</b>	CLAMPING SCREW		1	
7	<b>00 0843 783 0</b>	RING		1	
8	<b>00 0843 784 0</b>	SEALING RING		1	
9	<b>00 0843 785 0</b>	O-RING		1	
10	<b>00 0843 786 0</b>	COVER		1	
11	<b>00 0214 628 0</b>	CIRCLIP	138X4	1	
12	<b>00 0836 417 0</b>	BUSHING		3	
13	<b>00 0836 416 0</b>	BLOCK, BODY		3	
<hr/>					
<b>1)</b>	<b>Equipment</b>	PR_M04_0070	Single wide-angle PTO drive shaft with cam clutch		



**100 DRIVE SHAFT, MAIN DRIVE 1)**

Pos.	Part No.	Description	Dimension	Quantity	Conditions
1	<b>00 0843 797 0</b>	CLUTCH		1	
2	<b>00 0843 779 0</b>	CLUTCH HOUSING		1	
3	<b>00 0836 414 0</b>	RING		1	
4	<b>00 0843 798 0</b>	SPRING KIT		1	
5	<b>00 0843 781 0</b>	HUB		1	
6	<b>00 0843 782 0</b>	CLAMPING SCREW		1	
7	<b>00 0843 783 0</b>	RING		1	
8	<b>00 0843 784 0</b>	SEALING RING		1	
9	<b>00 0843 785 0</b>	O-RING		1	
10	<b>00 0843 786 0</b>	COVER		1	
11	<b>00 0214 628 0</b>	CIRCLIP	138X4	1	
12	<b>00 0836 417 0</b>	BUSHING		3	
13	<b>00 0836 416 0</b>	BLOCK, BODY		3	
<hr/>					
<b>1)</b>	<b>Equipment</b>	PR_M04_0380	Single wide-angle PTO drive shaft with cam clutch, 6 splines		



Thank you so much for reading.  
Please click the “Buy Now!”  
button below to download the  
complete manual.



After you pay.

You can download the most  
perfect and complete manual in  
the world immediately.

Our support email:

[ebooklibonline@outlook.com](mailto:ebooklibonline@outlook.com)