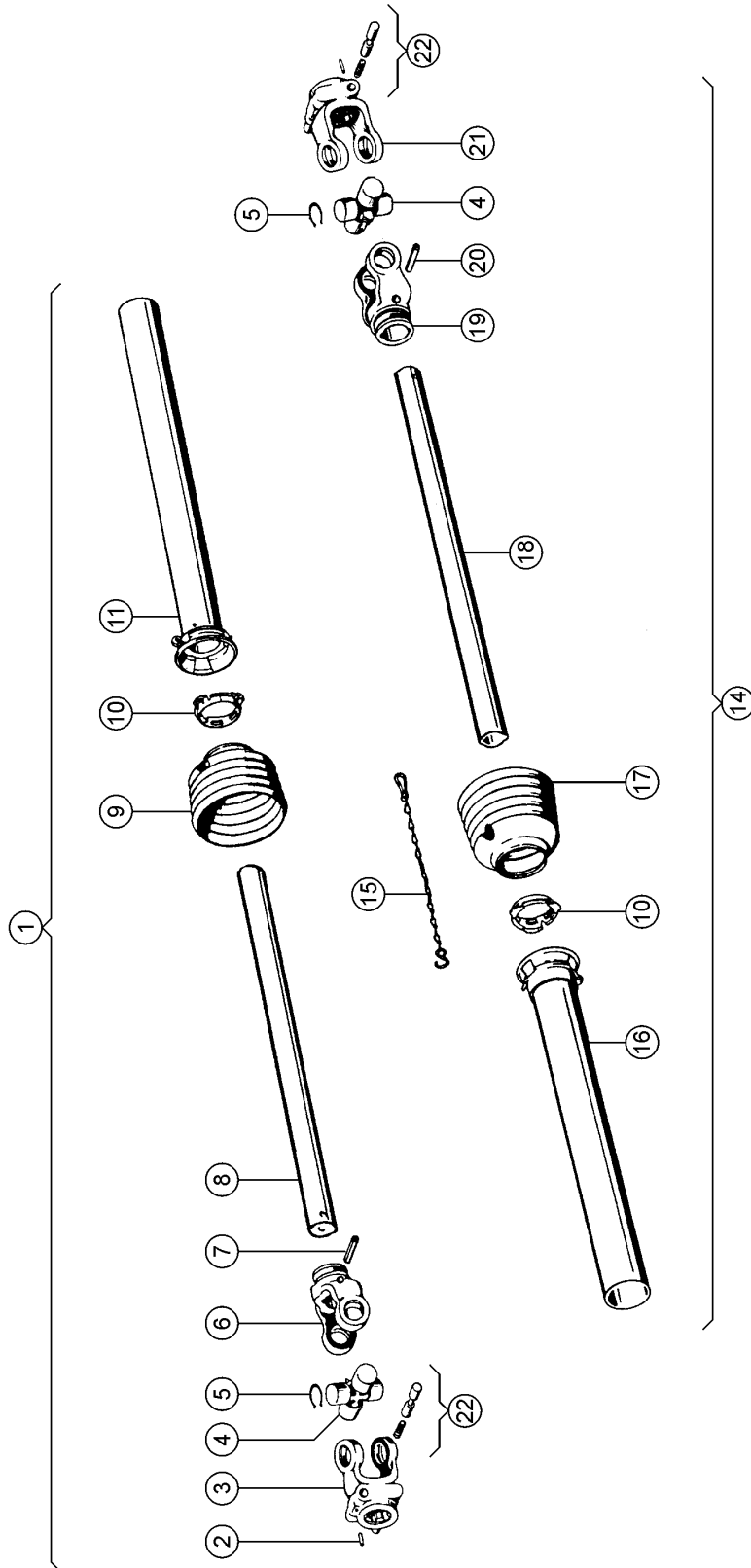


CLAAS

1



63093z00

UNIVERSAL DRIVE SHAFT, VAR. 3414 1)

Pos.	Part No.	Description	Dimension	Quantity	Conditions
1	00 0818 090 1	DRIVE SHAFT HALF		1	2)
2	00 0237 603 0	SPRING PIN	4 X 20	4	
3	00 0977 215 0	EXTENSION FORKE		1	3)
3	00 0809 981 0	EXTENSION FORKE		1	4)
4	00 0977 213 0	CENTRE CROSS ASS.		2	
5	00 0977 214 0	CIRCLIP		8	
6	00 0977 216 0	TENSION PIN FORKE		1	
7	00 0244 580 0	SPRING PIN	10 X 75	1	
8	00 0818 114 1	PROFILE TUBE		1	
9	00 0812 313 0	PROTECT.FUNNEL		1	
10	00 0920 671 0	GLIDE RING		2	
11	00 0818 116 0	INNER GUARD TUBE	740 LG	1	
14	00 0818 087 1	DRIVE SHAFT HALF		1	5)
15	00 0972 297 0	SUPPORTING CHAIN		1	
16	00 0920 981 1	OUTER GUARD HALF		1	
17	00 0818 093 0	PROTECT.FUNNEL		1	6)
18	00 0818 115 1	PROFILE TUBE		1	
19	00 0977 217 1	TENSION PIN FORKE		1	
20	00 0239 445 0	SPRING PIN	W.ERS.D.2394451	1	
21	00 0977 215 0	EXTENSION FORKE		1	6)
22	00 0178 083 0	SLIDING PIN SET	AGRASET 100	2	

1) Remarks UP TO SERIAL NO. 00302905

2) Remarks tractor side

3) Remarks 1 3/8 inch = 35 mm

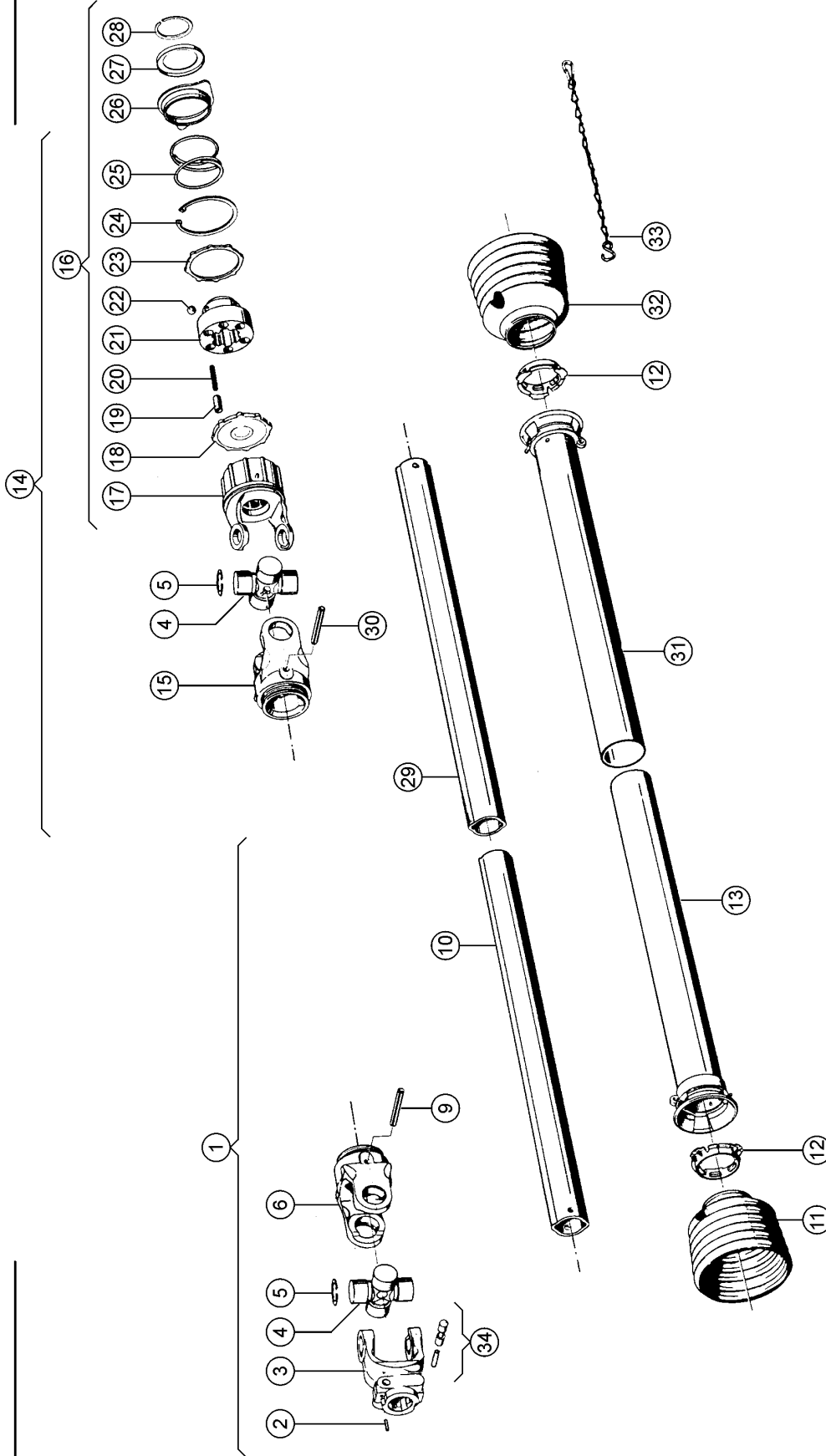
4) Remarks 1 3/4 ZOLL = 45 MM

5) Remarks machine side

6) Remarks

CLAAS

2



63094z00

UNIVERSAL DRIVE SHAFT W. OVER-RUN CLUTCH, VAR.3415 1)

Pos.	Part No.	Description	Dimension	Quantity	Conditions
1	00 0818 090 1	DRIVE SHAFT HALF		1	2)
2	00 0237 603 0	SPRING PIN	4 X 20	2	3)
3	00 0977 215 0	EXTENSION FORKE		1	4)
3	00 0809 981 0	EXTENSION FORKE		1	5)
4	00 0977 213 0	CENTRE CROSS ASS.		2	3)
5	00 0977 214 0	CIRCLIP		8	3)
6	00 0977 216 0	TENSION PIN FORKE		1	3)
9	00 0244 580 0	SPRING PIN	10 X 75	1	3)
10	00 0818 114 1	PROFILE TUBE		1	
11	00 0812 313 0	PROTECT.FUNNEL		1	3)
12	00 0920 671 0	GLIDE RING		2	
13	00 0818 116 0	INNER GUARD TUBE	740 LG	1	3)
14	00 0818 853 0	DRIVE SHAFT HALF	.	1	6)
15	00 0977 217 1	TENSION PIN FORKE		1	3)
16	00 0812 972 0	OVER-RUN CLUTCH		1	3)
17	00 0812 971 0	CLUTCH HOUSING		1	3)
18	00 0972 491 0	DRIVING DISC		1	
19	00 0972 492 0	CYLIND.ROLLER		6	
20	00 0920 681 0	COMPRESS.SPRING		6	
21	00 0920 680 0	HUB		1	
22	00 0241 041 0	STEEL BALL	12,7 G28	3	
23	00 0920 679 0	THRUST WASHER		1	
24	00 0972 502 0	CIRCLIP		1	
25	00 0920 678 0	COMPRESS.SPRING		1	
26	00 0920 677 0	LOCKING SLEEVE		1	
27	00 0920 676 0	ANGLE RING		1	
28	00 0239 343 0	SNAP RING	SP 42	1	
29	00 0818 115 1	PROFILE TUBE		1	
30	00 0239 445 0	SPRING PIN	W.ERS.D.2394451	1	3)
31	00 0920 981 1	OUTER GUARD HALF		1	3)
32	00 0818 855 1	PROTECT.FUNNEL		1	
33	00 0972 297 0	SUPPORTING CHAIN		1	
34	00 0178 083 0	SLIDING PIN SET	AGRASET 100	1	

1) Remarks FROM SERIAL NO.00302906 UP TO
NO. 00306880 STANDARD,
UP TO SERIAL NO. 00302905
OPTIONAL

2) Remarks tractor side

3) Remarks

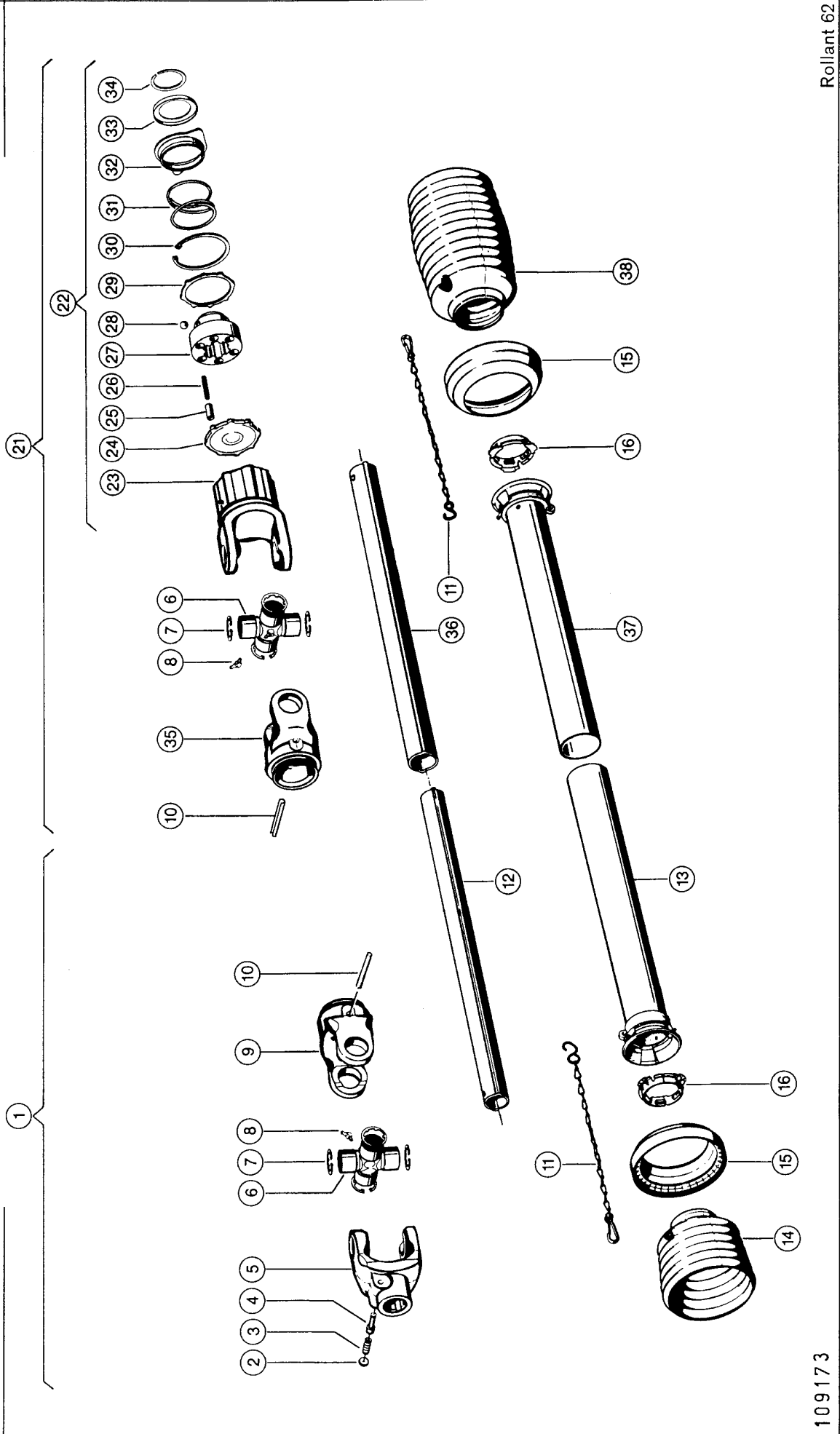
4) Remarks 1 3/8 inch = 35 mm

5) Remarks 1 3/4 ZOLL = 45 MM

6) Remarks machine side

2A

CLHHS



Rollant 62

109173

UNIVERSAL DRIVE SHAFT W. OVER-RUN CLUTCH, VAR 4349 1)

Pos.	Part No.	Description	Dimension	Quantity	Conditions
	00 0820 400 0	DRIVE SHAFT ASSY.		1	2)
1	00 0820 417 0	DRIVE SHAFT HALF		1	3)
2	00 0813 698 0	WASHER		1	
3	00 0813 697 0	COMPRESS.SPRING		1	
4	00 0813 696 0	SLIDING PIN		1	
5	00 0941 657 0	EXTENSION FORKE		1	2)
6	00 0941 651 0	CENTRE CROSS ASS.		2	2)
7	00 0242 908 0	CIRCLIP	32X1,2	8	2)
8	00 0211 636 0	GREASE NIPPLE	B M8X1-67,5°	2	
9	00 0941 656 0	FORK		1	2)
10	00 0244 581 0	SPRING PIN	W.ERS.D 2445812	2	2)
11	00 0972 297 0	SUPPORTING CHAIN		2	
12	00 0818 114 1	PROFILE TUBE		1	
13	00 0920 981 1	OUTER GUARD HALF		1	2)
14	00 0818 093 0	PROTECT.FUNNEL		1	2)
15	00 0917 283 0	BACK-UP RING		1	2)
16	00 0920 671 0	GLIDE RING		2	
21	00 0820 418 0	DRIVE SHAFT HALF	ERS.D.820418.1	1	4)
22	00 0941 811 0	OVER-RUN CLUTCH	WS 56.181.02	1	2)
23	00 0941 765 0	CLUTCH HOUSING		1	2)
24	00 0972 491 0	DRIVING DISC		1	
25	00 0972 492 0	CYLIND.ROLLER		6	
26	00 0920 681 0	COMPRESS.SPRING		6	
27	00 0920 680 0	HUB		1	
28	00 0241 041 0	STEEL BALL	12,7 G28	3	
29	00 0920 679 0	THRUST WASHER		1	
30	00 0972 502 0	CIRCLIP		1	
31	00 0920 678 0	COMPRESS.SPRING		1	
32	00 0920 677 0	LOCKING SLEEVE		1	
33	00 0920 676 0	ANGLE RING		1	
34	00 0239 343 0	SNAP RING	SP 42	1	
35	00 0941 656 0	FORK		1	2)
36	00 0818 115 1	PROFILE TUBE		1	
37	00 0818 116 0	INNER GUARD TUBE	740 LG	1	
38	00 0818 855 1	PROTECT.FUNNEL		1	

1) Remarks FROM SERIAL NO. 00306881

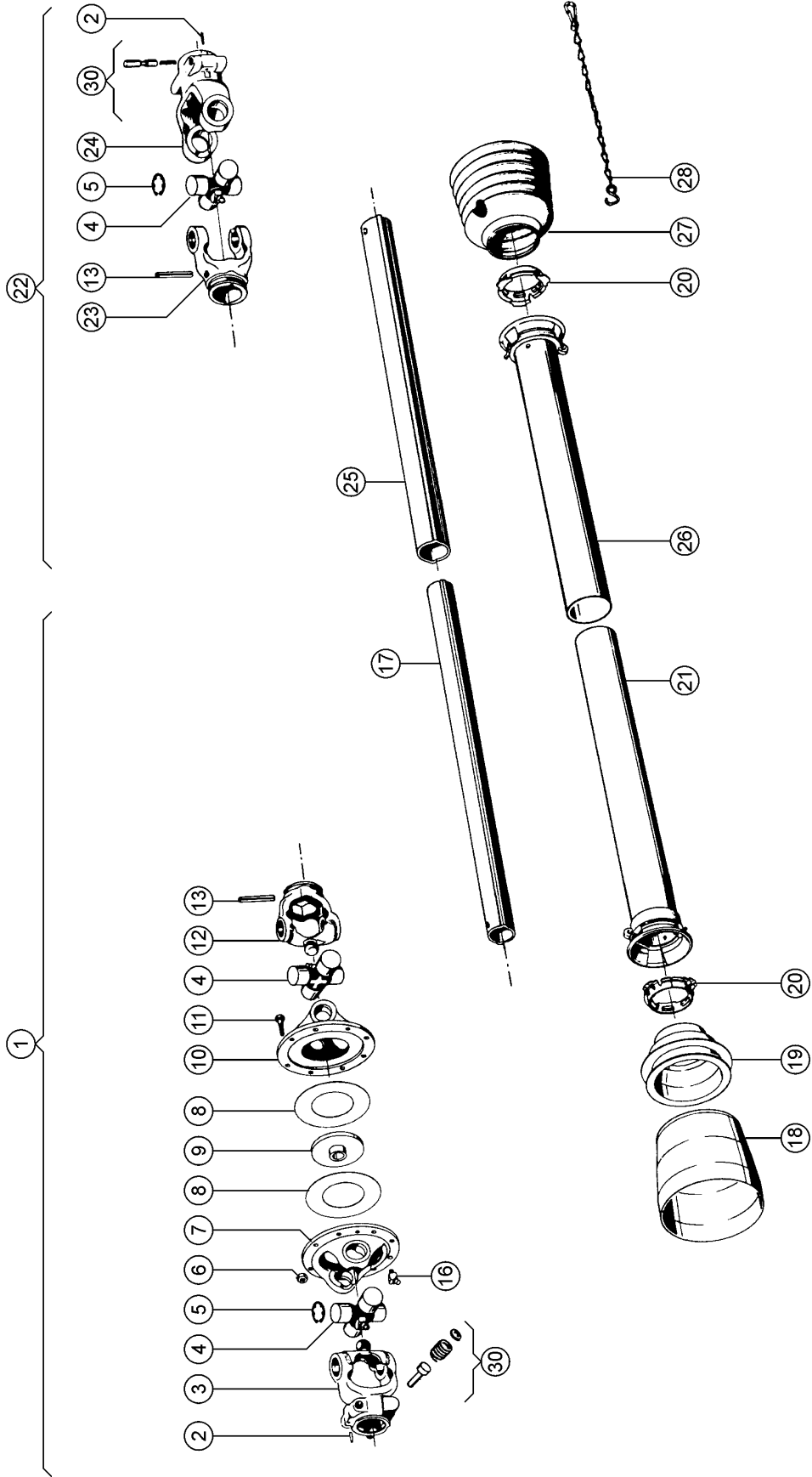
2) Remarks

3) Remarks tractor side

4) Remarks machine side

CLAAS

3



63095z00

UNIVERSAL DRIVE SHAFT W. OVER-RUN CLUTCH, VAR.3416 1)

Pos.	Part No.	Description	Dimension	Quantity	Conditions
1	00 0818 844 0	DRIVE SHAFT HALF		1	2)
2	00 0237 603 0	SPRING PIN	4 X 20	4	
3	00 0920 180 4	EXTENSION FORKE		1	
4	00 0920 179 9	CENTRE CROSS ASS.		3	
5	00 0942 548 0	CIRCLIP		12	
6	00 0236 170 0	HEXAGONAL NUT	M8	8	
7	00 0920 181 1	FLANGE FORKE		1	
8	00 0920 183 3	GLIDE DISK		2	
9	00 0920 194 3	GUIDE WASHER		1	
10	00 0920 181 2	FORK		1	
11	00 0237 370 0	HEXAGON HEAD BOLT	M8X30	8	
12	00 0920 180 6	INNER FORK		1	
13	00 0244 580 0	SPRING PIN	10 X 75	2	
16	00 0244 946 0	GREASE NIPPLE	B M8X1	1	
17	00 0818 850 0	PROFILE TUBE		1	
18	00 0920 193 4	PROTECT.FUNNEL		1	
19	00 0920 961 0	PROTECT.FUNNEL		1	
20	00 0920 671 0	GLIDE RING		2	
21	00 0818 842 0	PROTECTIVE TUBE		1	
22	00 0818 840 0	DRIVE SHAFT HALF	8185860	1	3)
23	00 0920 180 7	TENSION PIN FORKE		1	
24	00 0920 180 1	FORK		1	4)
25	00 0818 843 1	PROFILE TUBE		1	
26	00 0818 849 0	PROTECTIVE TUBE	650 LANG	1	
27	00 0818 093 0	PROTECT.FUNNEL		1	4)
28	00 0972 297 0	SUPPORTING CHAIN		1	
30	00 0178 083 0	SLIDING PIN SET	AGRASET 100	2	

1) Remarks OPTION
UP TO SERIAL NO. 00302905

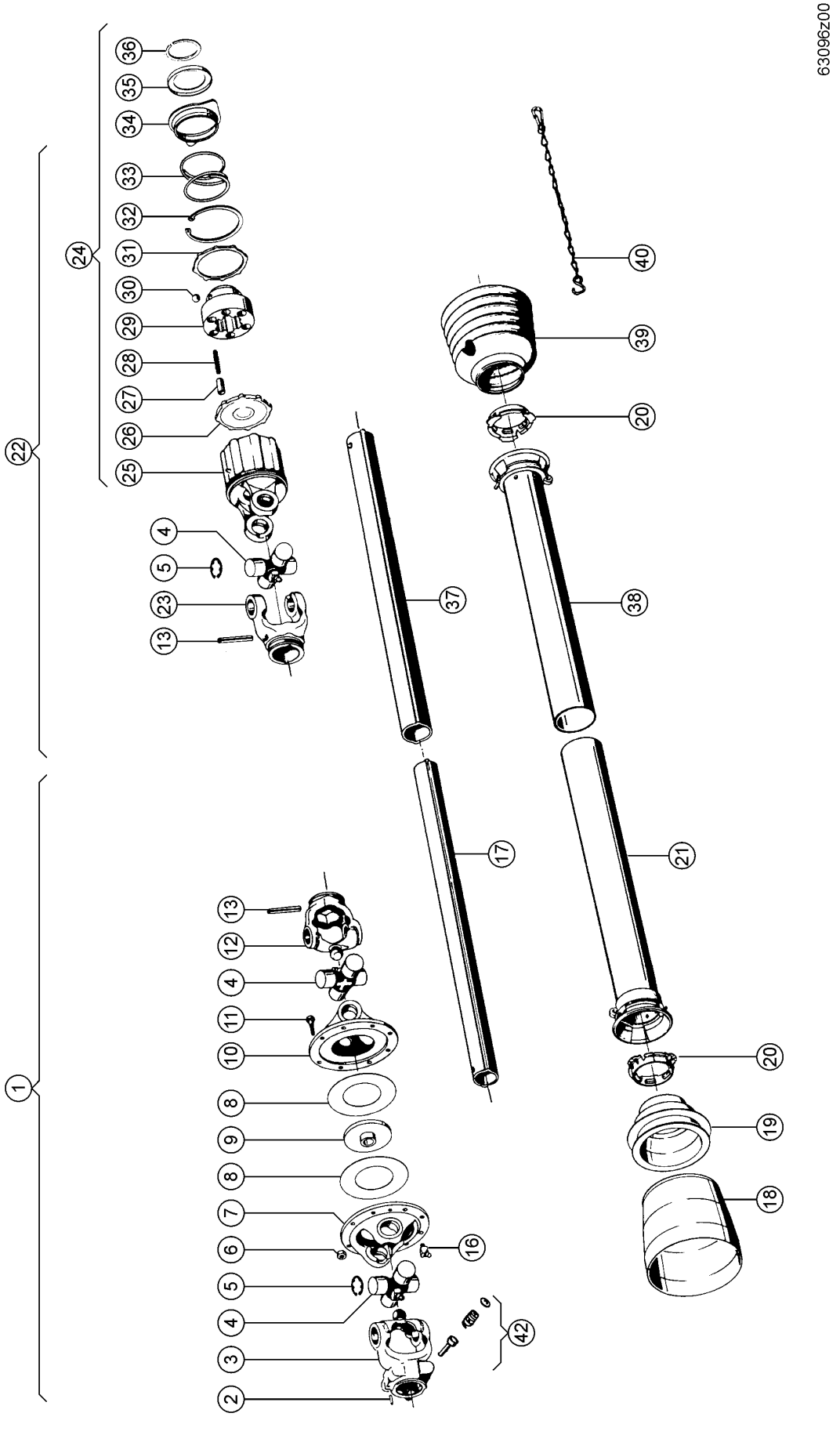
2) Remarks tractor side

3) Remarks machine side

4) Remarks

CLAAS

4



63096z00

UNIVERSAL DRIVE SHAFT WITH OVER-RUN CLUTCH 1)

Pos.	Part No.	Description	Dimension	Quantity	Conditions
1	00 0818 844 0	DRIVE SHAFT HALF		1	2)
1	00 0818 845 0	DRIVE SHAFT HALF		1	3)
2	00 0237 603 0	SPRING PIN	4 X 20	4	4)
3	00 0920 180 4	EXTENSION FORKE		1	5)
3	00 0942 158 0	EXTENSION FORKE		1	6)
4	00 0920 179 9	CENTRE CROSS ASS.		3	4)
5	00 0942 548 0	CIRCLIP		12	4)
6	00 0236 170 0	HEXAGONAL NUT	M8	8	4)
7	00 0920 181 1	FLANGE FORKE		1	4)
8	00 0920 183 3	GLIDE DISK		2	4)
9	00 0920 194 3	GUIDE WASHER		1	4)
10	00 0920 181 2	FORK		1	4)
11	00 0237 370 0	HEXAGON HEAD BOLT	M8X30	8	4)
12	00 0920 180 6	INNER FORK		1	4)
13	00 0244 580 0	SPRING PIN	10 X 75	2	4)
16	00 0244 946 0	GREASE NIPPLE	B M8X1	1	
17	00 0818 850 0	PROFILE TUBE		1	
18	00 0920 193 4	PROTECT.FUNNEL		1	
19	00 0920 961 0	PROTECT.FUNNEL		1	
20	00 0920 671 0	GLIDE RING		1	
21	00 0818 842 0	PROTECTIVE TUBE		1	4)
22	00 0818 851 0	DRIVE SHAFT HALF	8204020	1	4)
23	00 0920 180 7	TENSION PIN FORKE		1	4)
24	00 0920 703 0	OVER-RUN CLUTCH		1	4)
25	00 0818 852 0	CLUTCH HOUSING		1	4)
26	00 0972 491 0	DRIVING DISC		1	
27	00 0972 492 0	CYLIND.ROLLER		6	
28	00 0920 681 0	COMPRESS.SPRING		6	
29	00 0920 680 0	HUB		1	
30	00 0241 041 0	STEEL BALL	12,7 G28	3	
31	00 0920 679 0	THRUST WASHER		1	
32	00 0972 502 0	CIRCLIP		1	
33	00 0920 678 0	COMPRESS.SPRING		1	
34	00 0920 677 0	LOCKING SLEEVE		1	
35	00 0920 676 0	ANGLE RING		1	
36	00 0239 343 0	SNAP RING	SP 42	1	
37	00 0818 843 1	PROFILE TUBE		1	
38	00 0818 849 0	PROTECTIVE TUBE	650 LANG	1	4)
39	00 0818 855 1	PROTECT.FUNNEL		1	
40	00 0972 297 0	SUPPORTING CHAIN		1	
42	00 0178 083 0	SLIDING PIN SET	AGRASET 100	1	

1) Remarks

VAR.3417 BEI 540. ZAPFWELLE
VAR.3539 BEI 1000. ZAPFWELLE
OPTION
UP TO SERIAL NO. 00307180

2) Remarks

at 540. P.T.O. shaft

3) Remarks

BEI 1000. ZAPFWELLE

4) Remarks**5) Remarks**

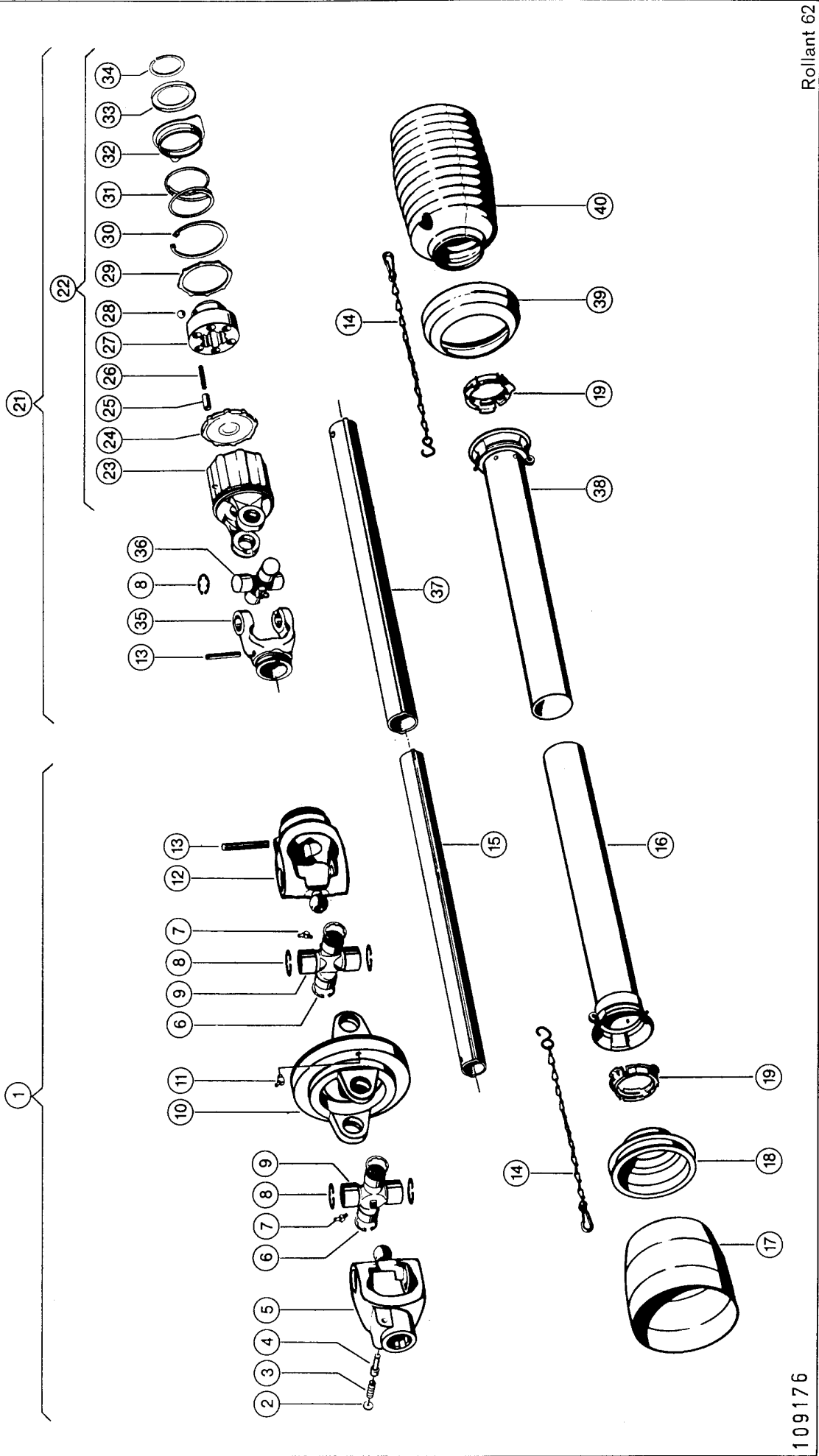
standard profile (6T.)

6) Remarks

VIELKEILPROFIL (21T.)

4A

CLHHS



Rollant 62

109176

UNIVERSAL DRIVE SHAFT WITH OVER-RUN CLUTCH 1)

Pos.	Part No.	Description	Dimension	Quantity	Conditions
	00 0820 401 0	DRIVE SHAFT ASSY.	.	1	2)
	00 0820 402 0	DRIVE SHAFT ASSY.	21T	1	3)
1	00 0820 415 0	DRIVE SHAFT HALF		1	4)
1	00 0820 419 0	DRIVE SHAFT HALF	WWE2480	1	3)
2	00 0813 698 0	WASHER		1	
3	00 0813 697 0	COMPRESS.SPRING		1	
4	00 0813 696 0	SLIDING PIN		1	
5	00 0941 475 0	EXTENSION FORKE		1	5)
5	00 0820 426 0	EXTENSION FORKE		1	6)
6	00 0972 503 0	CIRCLIP		8	7)
7	00 0211 636 0	GREASE NIPPLE	B M8X1-67,5°	3	
8	00 0242 908 0	CIRCLIP	32X1,2	8	7)
9	00 0820 421 0	CENTRE CROSS ASS.		2	7)
10	00 0820 422 0	DOUBLE FORK	W.ERS.D.9212680	1	7)
11	00 0244 946 0	GREASE NIPPLE	B M8X1	1	
12	00 0820 423 0	FORK		1	7)
13	00 0244 581 0	SPRING PIN	W.ERS.D 2445812	2	7)
14	00 0972 297 0	SUPPORTING CHAIN		2	
15	00 0818 850 0	PROFILE TUBE		1	
16	00 0820 424 0	OUTER TUBE GUARD		1	7)
17	00 0920 193 4	PROTECT.FUNNEL		1	
18	00 0920 961 0	PROTECT.FUNNEL		1	
19	00 0920 671 0	GLIDE RING		2	
21	00 0820 416 0	DRIVE SHAFT HALF	ERS.D.8204161	1	8)
22	00 0941 811 0	OVER-RUN CLUTCH	WS 56.181.02	1	7)
23	00 0941 765 0	CLUTCH HOUSING		1	7)
24	00 0972 491 0	DRIVING DISC		1	
25	00 0972 492 0	CYLIND.ROLLER		6	
26	00 0920 681 0	COMPRESS.SPRING		6	
27	00 0920 680 0	HUB		1	
28	00 0241 041 0	STEEL BALL	12,7 G28	3	
29	00 0920 679 0	THRUST WASHER		1	
30	00 0972 502 0	CIRCLIP		1	
31	00 0920 678 0	COMPRESS.SPRING		1	
32	00 0920 677 0	LOCKING SLEEVE		1	
33	00 0920 676 0	ANGLE RING		1	
34	00 0239 343 0	SNAP RING	SP 42	1	
35	00 0941 660 0	FORK		1	7)
36	00 0941 651 0	CENTRE CROSS ASS.		1	7)
37	00 0818 843 1	PROFILE TUBE		1	
38	00 0820 425 0	INNER GUARD TUBE		1	7)
39	00 0917 283 0	BACK-UP RING		1	7)
40	00 0818 855 1	PROTECT.FUNNEL		1	

1) Remarks

VAR.4350 BEI 540. ZAPFWELLE
VAR.4351 BEI 1000. ZAPFWELLE
OPTION
FROM SERIAL NO. 00307181

2) Remarks

BEI 540. ZAPFWELLE

3) Remarks

BEI 1000. ZAPFWELLE

4) Remarks

at 540. P.T.O. shaft

5) Remarks

standard profile (6T.)

6) Remarks

VIELKEILPROFIL (21T.)

UNIVERSAL DRIVE SHAFT WITH OVER-RUN CLUTCH 1)

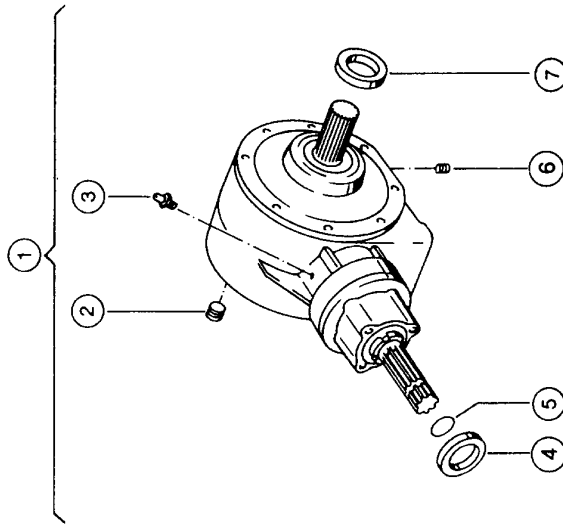
7) Remarks

8) Remarks

machine side

5

Rollant 62



CLH AS

GEAR BOX

Pos.	Part No.	Description	Dimension	Quantity	Conditions
1	00 0819 610 0	GEARBOX ASSY.	S	1	1)
1	00 0818 950 1	GEARBOX ASSY.		1	2)
1	00 0819 615 0	GEARBOX ASSY.	S	1	3)
1	00 0818 970 0	GEARBOX ASSY.		1	4)
2	00 0238 082 0	SCREW PLUG	M24X1,5	1	
3	00 0179 842 0	BREATHER PLUG	0,03-0,05 BAR-M10X1 KEG-	1	
4	00 0233 200 0	SHAFT SEAL	BASL 48X 68X10	1	
5	00 0943 229 0	O-RING	40X1,5 -N	1	
6	00 0239 263 0	MAGNETIC FILTER BOLT	M14X1,5	1	5)
6	00 0238 099 0	SCREW PLUG	M14X1,5	1	6)
7	00 0244 736 1	SHAFT SEAL	BAUMX7 A50X65X8	1	

1) Remarks	at 540. P.T.O. shaft from No. 00304652
2) Remarks	BEI 540. ZAPFWELLE BIS NR. 00304651
3) Remarks	BEI 1000. ZAPFWELLE AB NR. 00304652
4) Remarks	BEI 1000. ZAPFWELLE BIS NR. 00304651
5) Remarks	from No. 00304652
6) Remarks	BIS NR. 00304651

Thank you so much for reading.
Please click the “Buy Now!”
button below to download the
complete manual.



After you pay.

You can download the most
perfect and complete manual in
the world immediately.

Our support email:

ebooklibonline@outlook.com