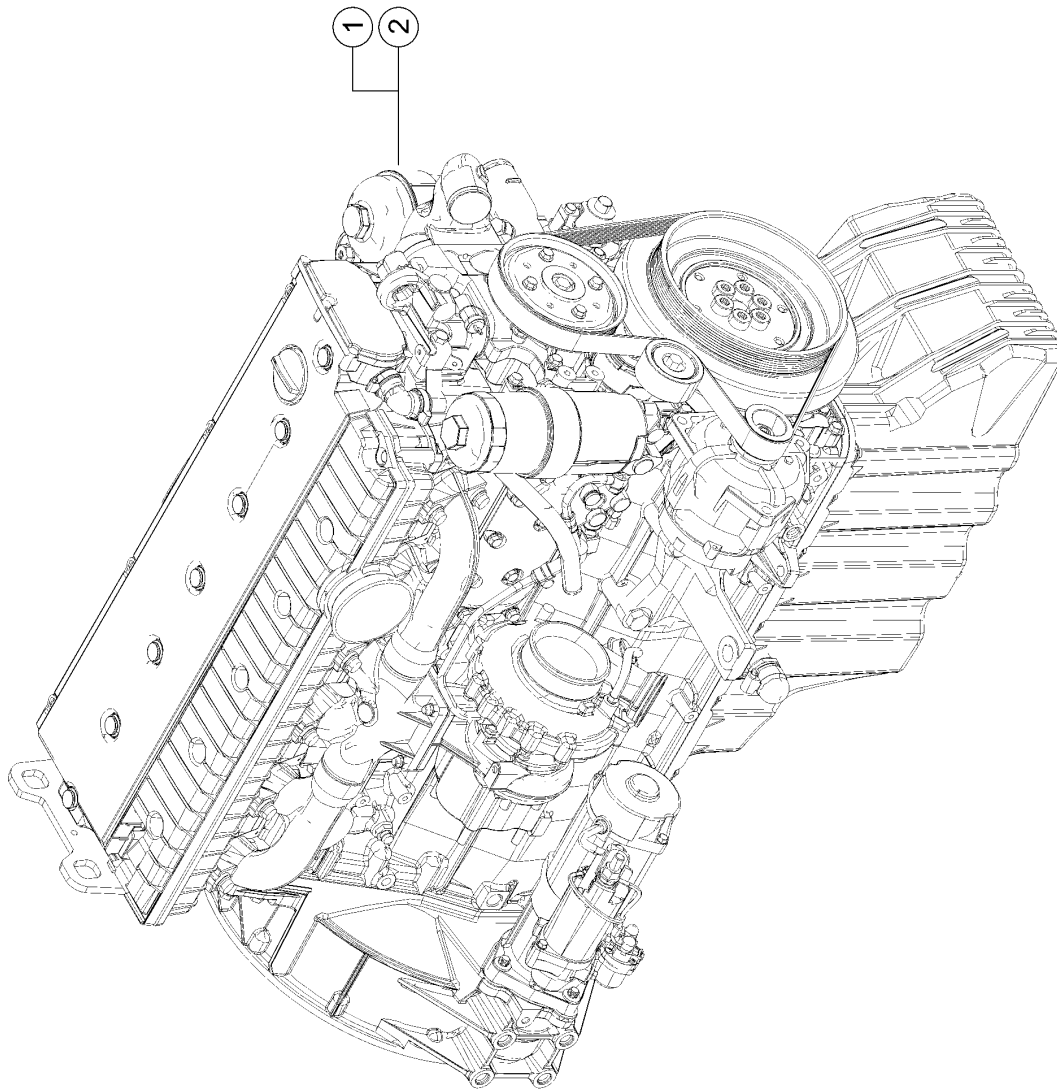


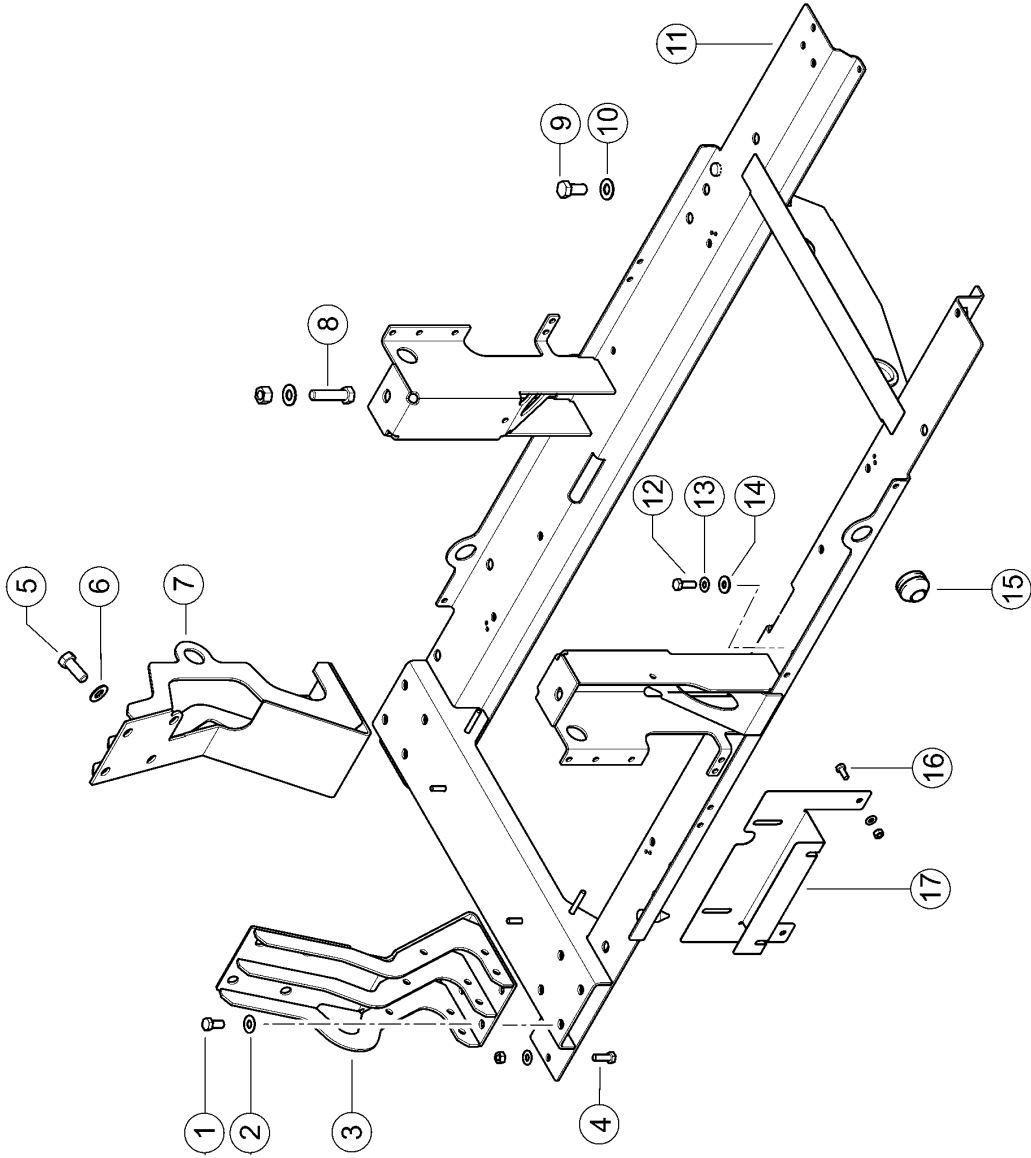
**010 COMPLETE ENGINE 1)**

Pos.	Part No.	Description	Dimension	Quantity	Conditions
1	<b>00 0781 438 4</b>	ENGINE	OM936LA 180KW STAGE IV	1	2)
1	<b>00 1984 947 0</b>	ENGINE	REMAN OM 936 LA 180KW IV	1	3)
1	<b>00 0781 434 4</b>	ENGINE	OM936LA 180KW STAGE IV	1	4)
1	<b>00 1984 945 0</b>	ENGINE	REMAN OM 936 LA 180KW IV	1	5)
<b>1)</b>	<b>Equipment</b>	MD_P02_0780 MD_P02_0781	Mercedes-Benz OM936 LA - 180 kW/245 hp (T4) Mercedes-Benz OM936 LA - 180 kW/245 hp (T4) with air compressor		
<b>2)</b>	<b>Equipment</b>	MD_P02_0780	Mercedes-Benz OM936 LA - 180 kW/245 hp (T4)		
<b>3)</b>	<b>Equipment</b> <b>Remarks</b>	MD_P02_0780	Mercedes-Benz OM936 LA - 180 kW/245 hp (T4) Exchange / Reman		
<b>4)</b>	<b>Equipment</b>	MD_P02_0781	Mercedes-Benz OM936 LA - 180 kW/245 hp (T4) with air compressor		
<b>5)</b>	<b>Equipment</b> <b>Remarks</b>	MD_P02_0781	Mercedes-Benz OM936 LA - 180 kW/245 hp (T4) with air compressor Exchange / Reman		



**010 COMPLETE ENGINE 1)**

Pos.	Part No.	Description	Dimension	Quantity	Conditions
1	<b>00 0773 711 0</b>	ENGINE	OM906LA 150KW TIER3	1	2)
1	<b>00 0773 712 0</b>	ENGINE	OM906LA 150KW TIER3	1	3)
2	<b>00 0773 706 0</b>	ENGINE	OM906LA 150KW TIER2	1	4)
<b>1) Equipment</b>					
		MD_P02_0700	Mercedes OM906LA engine (EWG150kW) without air compressor		
		MD_P02_0701	Mercedes OM906LA engine (EWG150kW) with air compressor system		
		MD_P02_0703	Engine OM906LA K EEC 150kW N-EU		
		MD_P02_0705	OM906LA ECE R120 150 kW@2200 rpm Tier 3 / Stage IIIA		
		MD_P02_0706	OM906LA DL compr. ECE R120 150kW @2200 rpm Tier 3 / Stage IIIA		
<b>2) Equipment</b>					
		MD_P02_0700	Mercedes OM906LA engine (EWG150kW) without air compressor		
		MD_P02_0705	OM906LA ECE R120 150 kW@2200 rpm Tier 3 / Stage IIIA		
<b>3) Equipment</b>					
		MD_P02_0701	Mercedes OM906LA engine (EWG150kW) with air compressor system		
		MD_P02_0706	OM906LA DL compr. ECE R120 150kW @2200 rpm Tier 3 / Stage IIIA		
<b>4) Equipment</b>					
		MD_P02_0703	Engine OM906LA K EEC 150kW N-EU		



**100 ENGINE SUSPENSION 1)**

Pos.	Part No.	Description	Dimension	Quantity	Conditions
1	<b>00 0236 056 0</b>	HEXAGON HEAD BOLT	M12X25	8	
2	<b>00 0239 389 0</b>	CONTACT WASHER	A12	8	
3	<b>00 0781 158 4</b>	SUPPORT	MTU OM936LA RE	1	
4	<b>00 0237 453 0</b>	HEXAGON HEAD BOLT	M10X30	1	
4	<b>00 0239 388 0</b>	CONTACT WASHER	A10-10,2X22,25X1,6	1	
4	<b>00 0236 171 0</b>	HEXAGONAL NUT	M10	1	
5	<b>00 0368 026 0</b>	HEX.HEAD BOLT	M16X40	8	
6	<b>00 0239 391 0</b>	CONTACT WASHER	A16	8	
7	<b>00 0781 155 3</b>	SUPPORT	MTU TIER4F OM936LA 1 LI		
8	<b>00 0233 095 0</b>	HEXAGON HEAD BOLT	M16X65	2	
8	<b>00 0239 391 0</b>	CONTACT WASHER	A16	2	
8	<b>00 0236 173 0</b>	HEXAGONAL NUT	M16	2	
9	<b>00 0236 230 0</b>	HEXAGON HEAD BOLT	M16X35	5	
10	<b>00 0239 391 0</b>	CONTACT WASHER	A16	5	
11	<b>00 0773 788 4</b>	ENGINE MOUNTING		1	
12	<b>00 0237 453 0</b>	HEXAGON HEAD BOLT	M10X30	2	
13	<b>00 0239 388 0</b>	CONTACT WASHER	A10-10,2X22,25X1,6	2	
14	<b>00 0234 326 0</b>	WASHER	11X26X3	2	
15	<b>00 0734 779 0</b>	CABLE RING	C 20-35X50X2	1	
16	<b>00 0236 200 0</b>	HEXAGON HEAD BOLT	M8X20	2	
16	<b>00 0239 387 0</b>	CONTACT WASHER	A8-8,2X18X1,4	2	
16	<b>00 0236 170 0</b>	HEXAGONAL NUT	M8	2	
17	<b>00 0781 297 3</b>	SUPPORT	2X207X376,2	1	

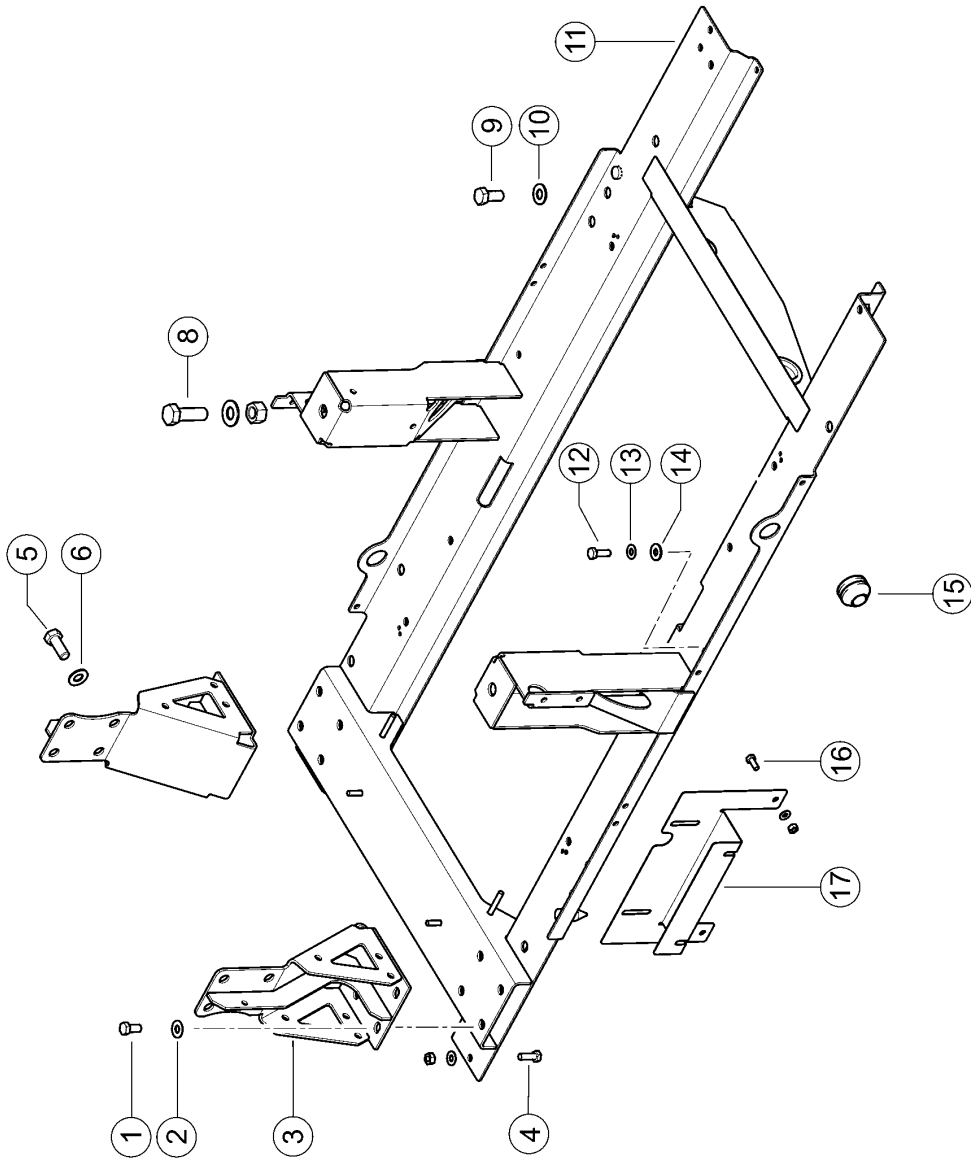
**1) Equipment**

MD\_P02\_0780

Mercedes-Benz OM936 LA - 180 kW/245 hp (T4)

MD\_P02\_0781

Mercedes-Benz OM936 LA - 180 kW/245 hp (T4) with air compressor



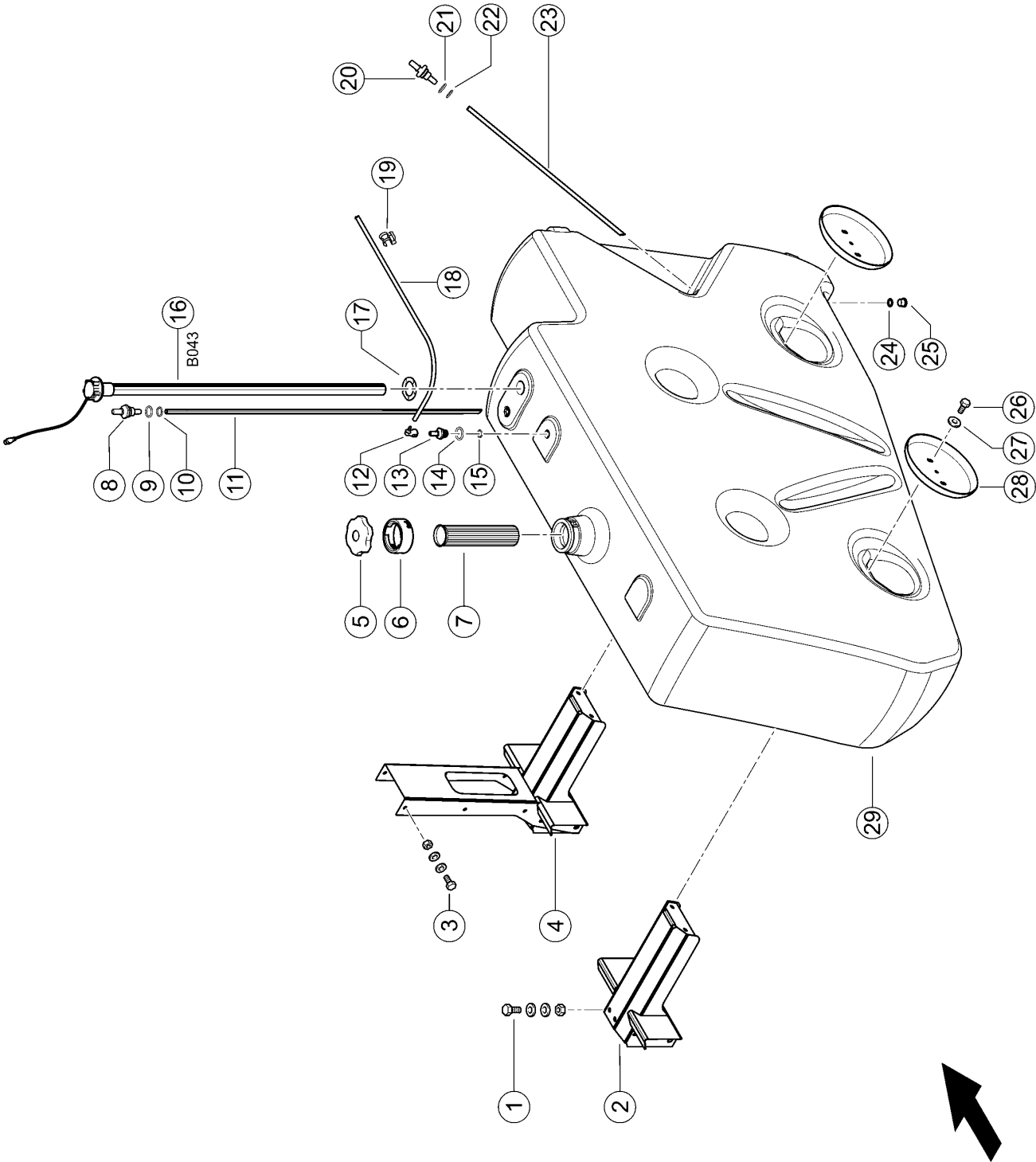
**100 ENGINE SUSPENSION 1)**

Pos.	Part No.	Description	Dimension	Quantity	Conditions
1	<b>00 0236 056 0</b>	HEXAGON HEAD BOLT	M12X25	8	
2	<b>00 0239 389 0</b>	CONTACT WASHER	A12	8	
3	<b>00 0781 253 1</b>	SUPPORT		2	
4	<b>00 0237 453 0</b>	HEXAGON HEAD BOLT	M10X30	1	
4	<b>00 0239 388 0</b>	CONTACT WASHER	A10-10,2X22,25X1,6	1	
4	<b>00 0236 171 0</b>	HEXAGONAL NUT	M10	1	
5	<b>00 0368 026 0</b>	HEX.HEAD BOLT	M16X40	8	
6	<b>00 0239 391 0</b>	CONTACT WASHER	A16	8	
8	<b>00 0237 591 0</b>	HEX.HEAD BOLT	M20X60	2	
8	<b>00 0212 191 0</b>	CONTACT WASHER	A20	2	
8	<b>00 0237 521 0</b>	HEX.NUT	M20	2	
9	<b>00 0236 230 0</b>	HEXAGON HEAD BOLT	M16X35	6	
10	<b>00 0239 391 0</b>	CONTACT WASHER	A16	6	
11	<b>00 0781 150 4</b>	ENGINE MOUNTING		1	
12	<b>00 0237 453 0</b>	HEXAGON HEAD BOLT	M10X30	2	
13	<b>00 0239 388 0</b>	CONTACT WASHER	A10-10,2X22,25X1,6	2	
14	<b>00 0234 326 0</b>	WASHER	11X26X3	2	
15	<b>00 0734 779 0</b>	CABLE RING	C 20-35X50X2	1	
16	<b>00 0236 200 0</b>	HEXAGON HEAD BOLT	M8X20	2	
16	<b>00 0239 387 0</b>	CONTACT WASHER	A8-8,2X18X1,4	2	
16	<b>00 0236 170 0</b>	HEXAGONAL NUT	M8	2	
17	<b>00 0781 297 3</b>	SUPPORT	2X207X376,2	1	

**1) Equipment**

MD_P02_0700	Mercedes OM906LA engine (EWG150kW) without air compressor
MD_P02_0701	Mercedes OM906LA engine (EWG150kW) with air compressor system
MD_P02_0703	Engine OM906LA K EEC 150kW N-EU
MD_P02_0705	OM906LA ECE R120 150 kW@2200 rpm Tier 3 / Stage IIIA
MD_P02_0706	OM906LA DL compr. ECE R120 150kW @2200 rpm Tier 3 / Stage IIIA





**100 FUEL TANK 1)**

Pos.	Part No.	Description	Dimension	Quantity	Conditions
1	<b>00 0237 461 0</b>	HEXAGON HEAD BOLT	M12X30	12	
1	<b>00 0239 389 0</b>	CONTACT WASHER	A12	24	
1	<b>00 0236 172 0</b>	HEXAGONAL NUT	M12	12	
2	<b>00 0548 203 0</b>	MOUNT		1	2)
3	<b>00 0237 382 0</b>	HEXAGON HEAD BOLT	M10X20	6	
3	<b>00 0239 388 0</b>	CONTACT WASHER	A10-10,2X22,25X1,6	12	
3	<b>00 0236 171 0</b>	HEXAGONAL NUT	M10	6	
4	<b>00 0548 204 0</b>	MOUNT		1	3)
5	<b>00 0034 018 0</b>	CAP		1	
5	<b>00 0581 279 0</b>	CAP	ABSCHLIESSBAR	1	4)
6	<b>00 0038 915 0</b>	SOCKET	SV 80 B/40	1	
7	<b>00 0736 238 0</b>	TANK FILTER		1	
8	<b>00 0783 649 1</b>	ADAPTER		1	5)
9	<b>00 0217 460 0</b>	O-RING	18,64X3,53 -N	1	
10	<b>00 0218 694 0</b>	O-RING	18 X3 -N	1	
11	<b>00 0550 429 1</b>	RETURN PIPE		1	6)
12	<b>00 0217 501 0</b>	CONNECTOR	NQS 1/2" - 6 X 90 GRAD	1	
13	<b>00 0794 417 2</b>	VENTILATION		1	7)
14	<b>00 0217 460 0</b>	O-RING	18,64X3,53 -N	1	
15	<b>00 0218 694 0</b>	O-RING	18 X3 -N	1	
16	<b>00 0016 595 0</b>	LEVEL INDICATOR	D66X1210	1	8)
16	<b>00 0783 653 0</b>	PT SCREW	6ST 4X40	1	
17	<b>00 0794 993 0</b>	GASKET	VORRATSGEBER	1	
18	<b>00 0459 454 0</b>	PVC-HOSE	6 X 1,5	1	9)
19	<b>00 0458 125 0</b>	CLAMP	D8-D10	3	
19	<b>00 2151 573 0</b>	CABLE TIE	4,6 X 200 2TLG. KANTENBE	1	
20	<b>00 0783 649 1</b>	ADAPTER		1	10)
21	<b>00 0217 460 0</b>	O-RING	18,64X3,53 -N	1	
22	<b>00 0218 694 0</b>	O-RING	18 X3 -N	1	
23	<b>00 0550 428 1</b>	SUCTION PIPE		1	11)
24	<b>00 0218 694 0</b>	O-RING	18 X3 -N	1	
25	<b>00 0550 068 0</b>	SCREW PLUG		1	12)
26	<b>00 0237 382 0</b>	HEXAGON HEAD BOLT	M10X20	4	
27	<b>00 0239 394 1</b>	CONTACT WASHER	B10	4	
28	<b>00 0548 224 1</b>	WASHER		2	
29	<b>00 2312 748 0</b>	FUEL TANK		1	13)

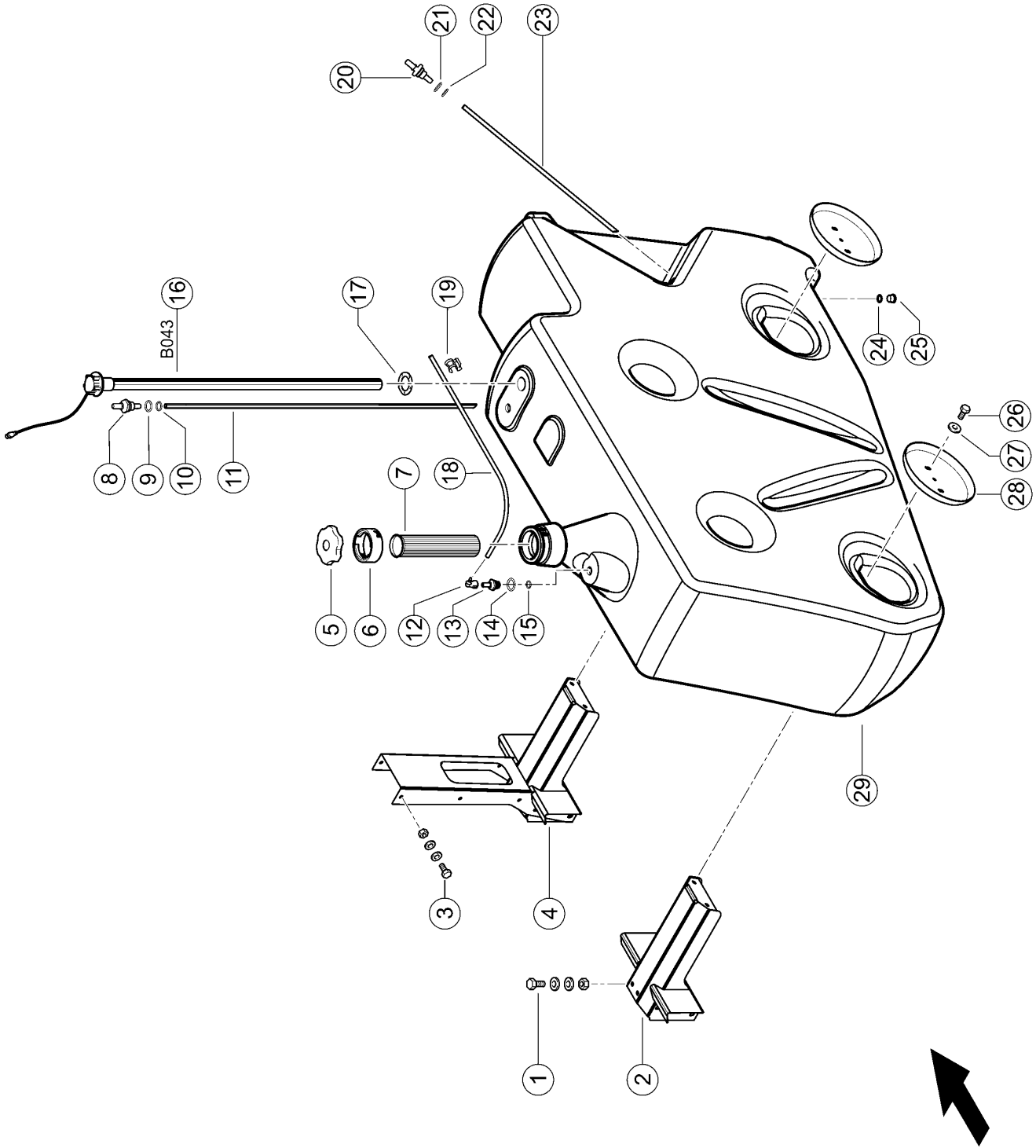
<b>1) Equipment</b>	MD_P14_0065	Fuel tank 650 litres
<b>2) Remarks</b>		to the rear
<b>3) Remarks</b>		front
<b>4) Remarks</b>		As per requirement.
<b>5) Remarks</b>		with Item 9
<b>6) Remarks</b>		with Item 8 - 10
<b>7) Remarks</b>		with Item 14
<b>8) CCN</b>	CCN-B043	fuel level sensor with Item 17
<b>9) Remarks</b>		1900 mm long
<b>10) Remarks</b>		with Item 21

### 100 FUEL TANK 1)

---

<b>11) Remarks</b>	with Item 20 - 22
<b>12) Remarks</b>	with Item 24
<b>13) Remarks</b>	with Item 5-17,20-25

---



**100 FUEL TANK 1)**

Pos.	Part No.	Description	Dimension	Quantity	Conditions
1	00 0237 461 0	HEXAGON HEAD BOLT	M12X30	12	
1	00 0239 389 0	CONTACT WASHER	A12	24	
1	00 0236 172 0	HEXAGONAL NUT	M12	12	
2	00 0548 203 0	MOUNT		1	2)
3	00 0237 382 0	HEXAGON HEAD BOLT	M10X20	6	
3	00 0239 388 0	CONTACT WASHER	A10-10,2X22,25X1,6	12	
3	00 0236 171 0	HEXAGONAL NUT	M10	6	
4	00 0548 204 0	MOUNT		1	3)
5	00 0034 018 0	CAP		1	
5	00 0581 279 0	CAP	ABSCHLIESSBAR	1	4)
6	00 0038 915 0	SOCKET	SV 80 B/40	1	
7	00 0736 238 0	TANK FILTER		1	
8	00 0783 649 1	ADAPTER		1	5)
9	00 0217 460 0	O-RING	18,64X3,53 -N	1	
10	00 0218 694 0	O-RING	18 X3 -N	1	
11	00 0550 430 1	RETURN PIPE		1	6)
12	00 0217 501 0	CONNECTOR	NQS 1/2" - 6 X 90 GRAD	1	
13	00 0794 417 2	VENTILATION		1	7)
14	00 0217 460 0	O-RING	18,64X3,53 -N	1	
15	00 0218 694 0	O-RING	18 X3 -N	1	
16	00 1811 920 0	LEVEL INDICATOR	L=1020MM	1	8)
16	00 0783 653 0	PT SCREW	6ST 4X40	1	
17	00 0794 993 0	GASKET	VORRATSGEBER	1	
18	00 0459 454 0	PVC-HOSE	6 X 1,5	1	9)
19	00 0458 125 0	CLAMP	D8-D10	3	
19	00 2151 573 0	CABLE TIE	4,6 X 200 2TLG. KANTENBE	1	
20	00 0783 649 1	ADAPTER		1	10)
21	00 0217 460 0	O-RING	18,64X3,53 -N	1	
22	00 0218 694 0	O-RING	18 X3 -N	1	
23	00 0550 428 1	SUCTION PIPE		1	11)
24	00 0218 694 0	O-RING	18 X3 -N	1	
25	00 0550 068 0	SCREW PLUG		1	12)
26	00 0237 382 0	HEXAGON HEAD BOLT	M10X20	4	
27	00 0239 394 1	CONTACT WASHER	B10	4	
28	00 0548 224 1	WASHER		2	
29	00 2312 750 0	FUEL TANK		1	13)

**1) Equipment**

MD\_P14\_0050

Fuel tank 500 litres

**2) Remarks**

to the rear

**3) Remarks**

front

**4) Remarks**

As per requirement.

**5) Remarks**

with Item 9

**6) Remarks**

with Item 8 - 10

**7) Remarks**

with Item 14

**8) CCN**

CCN-B043

fuel level sensor  
with Item 17**9) Remarks**

1900 mm long

**10) Remarks**

with Item 21

## 100 FUEL TANK 1)

---

<b>11) Remarks</b>	with Item 20 - 22
<b>12) Remarks</b>	with Item 24
<b>13) Remarks</b>	with Item 5-17,20-25

---

Thank you so much for reading.  
Please click the “Buy Now!”  
button below to download the  
complete manual.



After you pay.

You can download the most  
perfect and complete manual in  
the world immediately.

Our support email:

[ebooklibonline@outlook.com](mailto:ebooklibonline@outlook.com)