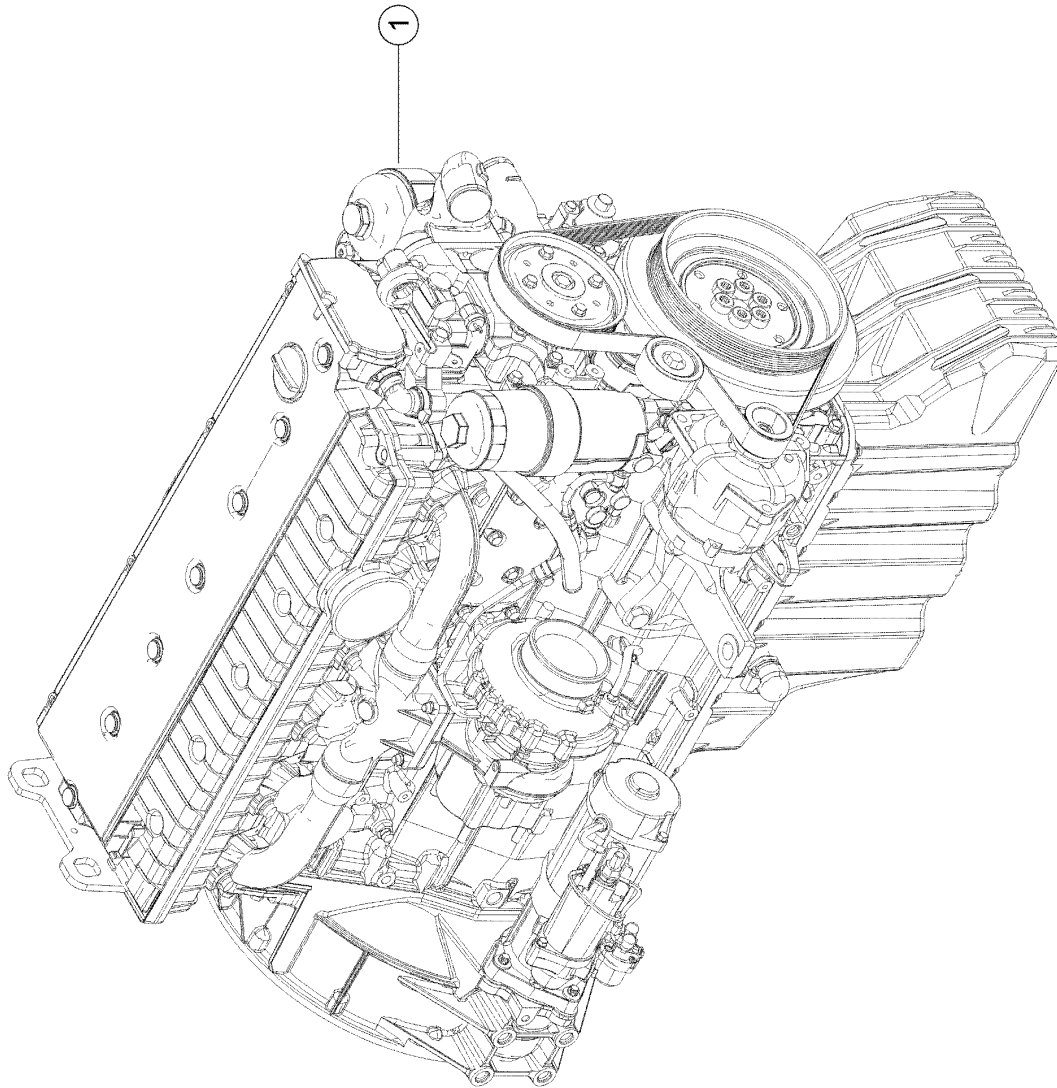


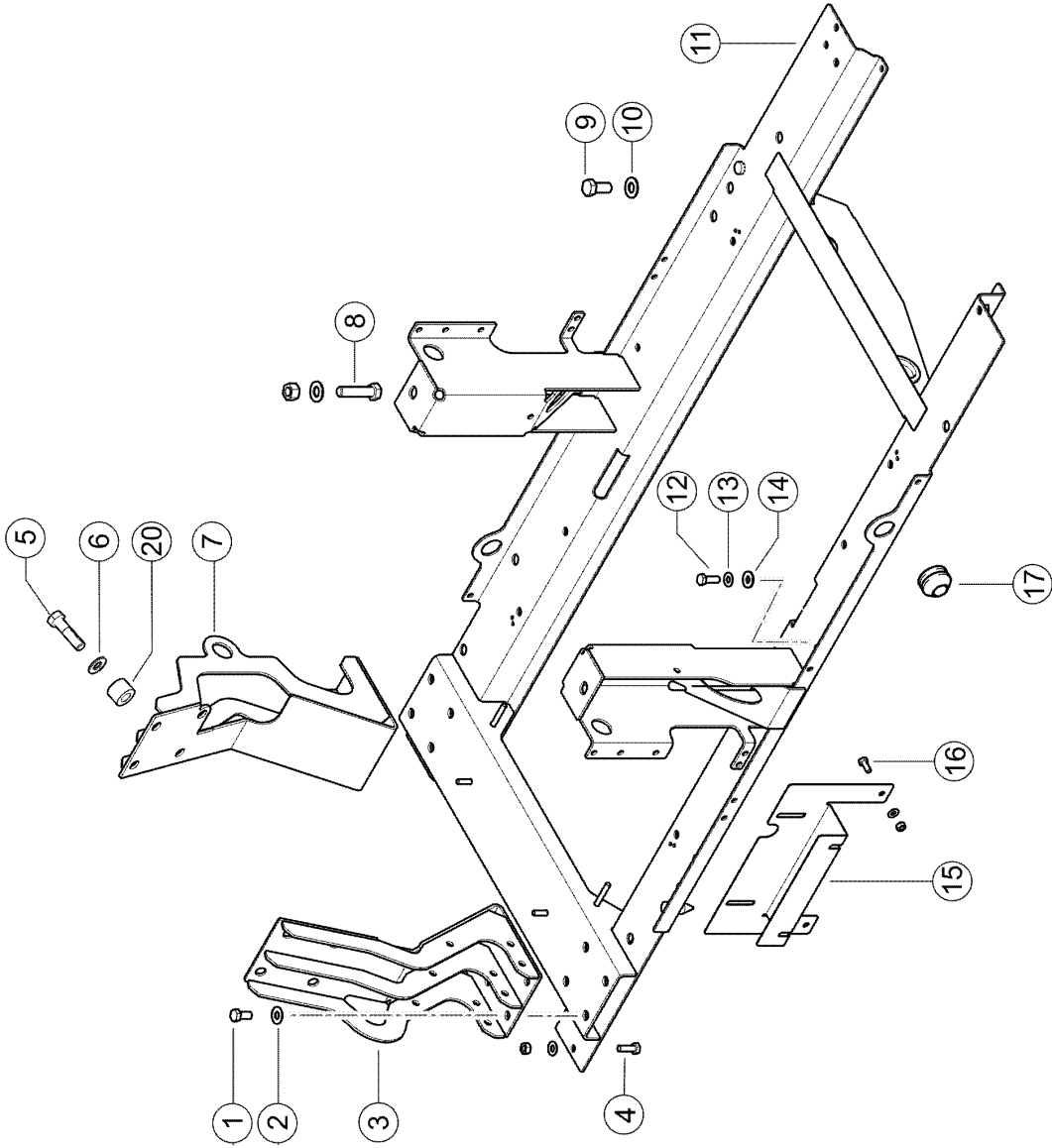
010 COMPLETE ENGINE 1)

| Pos. | Part No. | Description | Dimension | Quantity | Conditions |
|---------------------|----------------------|-------------|--|----------|------------|
| 1 | 00 2598 533 1 | ENGINE | OM936 180KW E5 TUCANO | 1 | 2) |
| 1 | 00 2598 534 0 | ENGINE | OM936 K 180KW E5 TUCANO | 1 | 3) |
| 1 | 00 1986 253 0 | ENGINE | REMAN OM 936 180KW E5 TU | 1 | 2) |
| 1 | 00 1986 257 0 | ENGINE | REMAN OM 936 K 180KW E5 | 1 | 3) |
| 1) Equipment | | | | | |
| | | MD_P02_0890 | Mercedes-Benz OM936 LA - 180 kW/245 hp (Stage V) | | |
| | | MD_P02_0891 | Mercedes-Benz OM936 LA - 180 kW/245 hp (Stage V), air compressor | | |
| 2) Equipment | | | | | |
| | | MD_P02_0890 | Mercedes-Benz OM936 LA - 180 kW/245 hp (Stage V) | | |
| 3) Equipment | | | | | |
| | | MD_P02_0891 | Mercedes-Benz OM936 LA - 180 kW/245 hp (Stage V), air compressor | | |



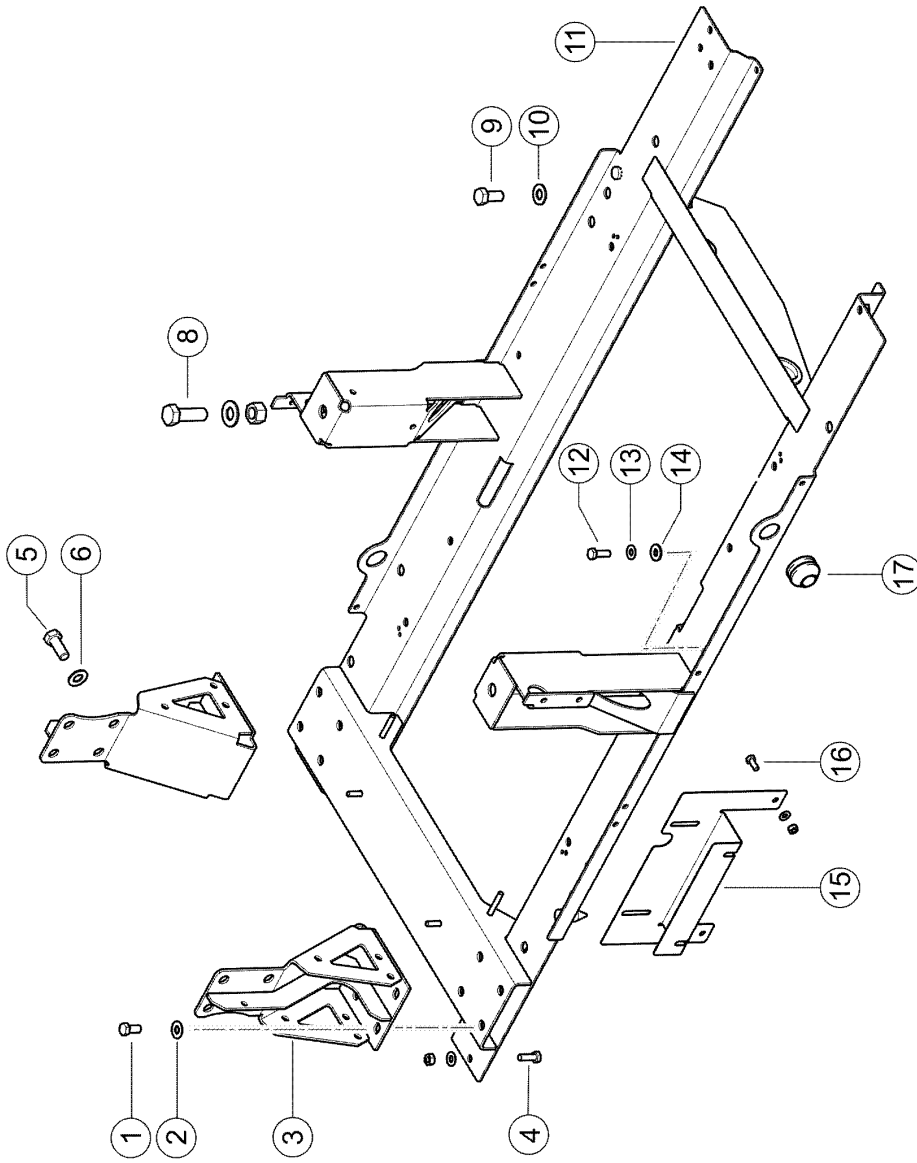
010 COMPLETE ENGINE 1)

| Pos. | Part No. | Description | Dimension | Quantity | Conditions |
|-----------|----------------------|----------------------------|--|----------|------------|
| 1 | 00 0773 711 0 | ENGINE | OM906LA 150KW TIER3 | 1 | 2) |
| 1 | 00 0773 712 0 | ENGINE | OM906LA 150KW TIER3 | 1 | 3) |
| 1) | Equipment | MD_P02_0705 MD_P02_0706 | OM906LA ECE R120 150 kW@2200 rpm Tier 3 / Stage IIIA OM906LA DL compr. ECE R120 150kW @2200 rpm Tier 3 / Stage IIIA | | |
| 2) | Equipment | MD_P02_0705 | OM906LA ECE R120 150 kW@2200 rpm Tier 3 / Stage IIIA | | |
| 3) | Equipment | MD_P02_0706 | OM906LA DL compr. ECE R120 150kW @2200 rpm Tier 3 / Stage IIIA | | |



100 ENGINE SUSPENSION 1)

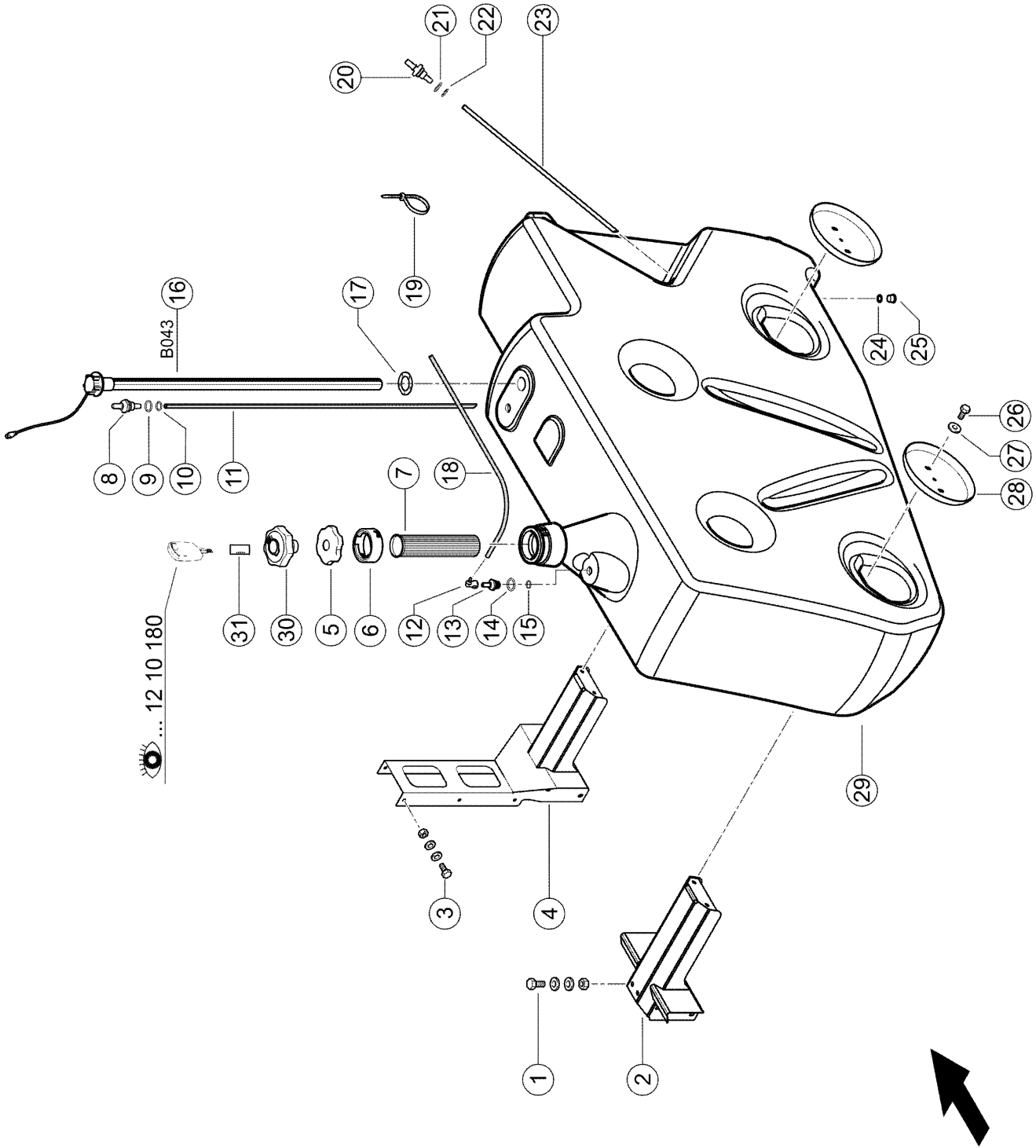
| Pos. | Part No. | Description | Dimension | Quantity | Conditions |
|---------------------|----------------------|-------------------|----------------------------|----------|--|
| 1 | 00 0236 056 0 | HEXAGON HEAD BOLT | M12X25 | 8 | |
| 2 | 00 0239 389 0 | CONTACT WASHER | A12 | 8 | |
| 3 | 00 0781 158 4 | SUPPORT | MTU OM936LA RE | 1 | |
| 4 | 00 0237 453 0 | HEXAGON HEAD BOLT | M10X30 | 1 | |
| 4 | 00 0239 388 0 | CONTACT WASHER | A10-10,2X22,25X1,6 | 1 | |
| 4 | 00 0236 171 0 | HEXAGONAL NUT | M10 | 1 | |
| 5 | 00 1035 828 1 | HEXAGON HEAD BOLT | M16X60 | 7 | |
| 6 | 00 0239 391 0 | CONTACT WASHER | A16 | 7 | |
| 7 | 00 0781 155 3 | SUPPORT | MTU TIER4F OM936LA 1 LI | | |
| 8 | 00 0233 095 0 | HEXAGON HEAD BOLT | M16X65 | 2 | |
| 8 | 00 0239 391 0 | CONTACT WASHER | A16 | 2 | |
| 8 | 00 0236 173 0 | HEXAGONAL NUT | M16 | 2 | |
| 9 | 00 0236 230 0 | HEXAGON HEAD BOLT | M16X35 | 5 | |
| 10 | 00 0239 391 0 | CONTACT WASHER | A16 | 5 | |
| 11 | 00 0773 788 6 | ENGINE MOUNTING | DAIMLER OM936LA | 1 | |
| 12 | 00 0237 453 0 | HEXAGON HEAD BOLT | M10X30 | 2 | |
| 13 | 00 0239 388 0 | CONTACT WASHER | A10-10,2X22,25X1,6 | 2 | |
| 14 | 00 0234 326 0 | WASHER | 11X26X3 | 2 | |
| 15 | 00 0781 297 3 | SUPPORT | 2X207X376,2 | 1 | |
| 16 | 00 0236 200 0 | HEXAGON HEAD BOLT | M8X20 | 2 | |
| 16 | 00 0239 387 0 | CONTACT WASHER | A8-8,2X18X1,4 | 2 | |
| 16 | 00 0236 170 0 | HEXAGONAL NUT | M8 | 2 | |
| 17 | 00 0734 779 0 | CABLE RING | C 20-35X50X2 | 1 | |
| 20 | 00 2598 063 0 | SLEEVE | D35X25 | 7 | |
| 1) Equipment | | | | | |
| | | MD_P02_0890 | | | Mercedes-Benz OM936 LA - 180 kW/245 hp (Stage V) |
| | | MD_P02_0891 | | | Mercedes-Benz OM936 LA - 180 kW/245 hp (Stage V), air compressor |



100 ENGINE SUSPENSION 1)

| Pos. | Part No. | Description | Dimension | Quantity | Conditions |
|------|----------------------|-------------------|----------------------------|----------|------------|
| 1 | 00 0236 056 0 | HEXAGON HEAD BOLT | M12X25 | 8 | |
| 2 | 00 0239 389 0 | CONTACT WASHER | A12 | 8 | |
| 3 | 00 0781 253 1 | SUPPORT | | 2 | |
| 4 | 00 0237 453 0 | HEXAGON HEAD BOLT | M10X30 | 1 | |
| 4 | 00 0239 388 0 | CONTACT WASHER | A10-10,2X22,25X1,6 | 1 | |
| 4 | 00 0236 171 0 | HEXAGONAL NUT | M10 | 1 | |
| 5 | 00 0368 026 0 | HEX.HEAD BOLT | M16X40 | 8 | |
| 6 | 00 0239 391 0 | CONTACT WASHER | A16 | 8 | |
| 8 | 00 0237 591 0 | HEX.HEAD BOLT | M20X60 | 2 | |
| 8 | 00 0212 191 0 | CONTACT WASHER | A20 | 2 | |
| 8 | 00 0237 521 0 | HEX.NUT | M20 | 2 | |
| 9 | 00 0236 230 0 | HEXAGON HEAD BOLT | M16X35 | 6 | |
| 10 | 00 0239 391 0 | CONTACT WASHER | A16 | 6 | |
| 11 | 00 0781 150 6 | ENGINE MOUNTING | DAIMLER OM906LA OM926LA | 1 | |
| 12 | 00 0237 453 0 | HEXAGON HEAD BOLT | M10X30 | 2 | |
| 13 | 00 0239 388 0 | CONTACT WASHER | A10-10,2X22,25X1,6 | 2 | |
| 14 | 00 0234 326 0 | WASHER | 11X26X3 | 2 | |
| 15 | 00 0781 297 3 | SUPPORT | 2X207X376,2 | 1 | |
| 16 | 00 0236 200 0 | HEXAGON HEAD BOLT | M8X20 | 2 | |
| 16 | 00 0239 387 0 | CONTACT WASHER | A8-8,2X18X1,4 | 2 | |
| 16 | 00 0236 170 0 | HEXAGONAL NUT | M8 | 2 | |
| 17 | 00 0734 779 0 | CABLE RING | C 20-35X50X2 | 1 | |

1) EquipmentMD_P02_0705
MD_P02_0706OM906LA ECE R120 150 kW@2200 rpm Tier 3 / Stage IIIA
OM906LA DL compr. ECE R120 150kW @2200 rpm Tier 3 / Stage IIIA



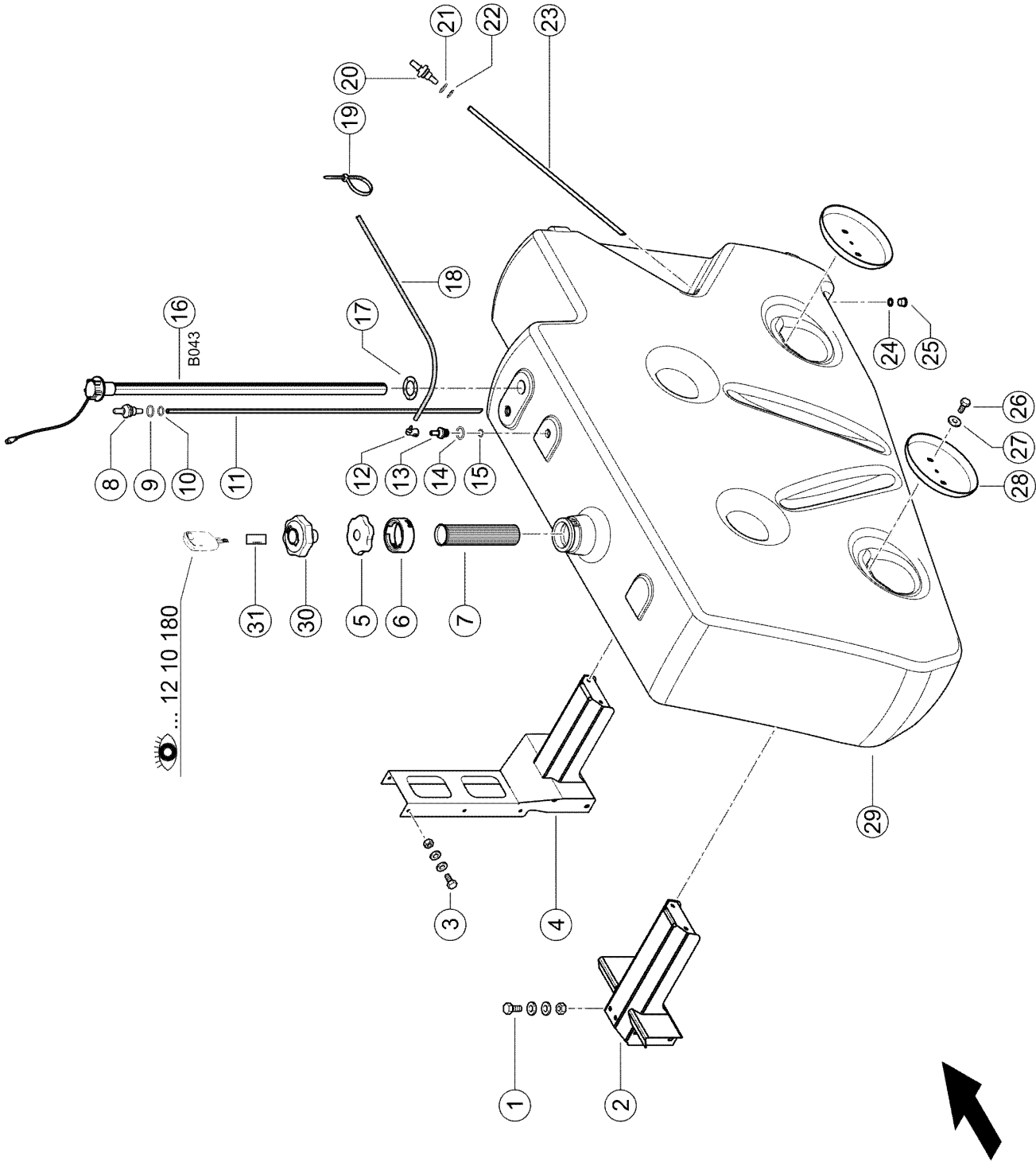
100 FUEL TANK 1)

| Pos. | Part No. | Description | Dimension | Quantity | Conditions |
|------|----------------------|-------------------|-----------------------------|----------|------------|
| 1 | 00 0237 461 0 | HEXAGON HEAD BOLT | M12X30 | 12 | |
| 1 | 00 0239 389 0 | CONTACT WASHER | A12 | 24 | |
| 1 | 00 0236 172 0 | HEXAGONAL NUT | M12 | 12 | |
| 2 | 00 0548 203 0 | MOUNT | | 1 | |
| 3 | 00 0237 383 0 | HEXAGON HEAD BOLT | M10X25 | 6 | |
| 3 | 00 0239 388 0 | CONTACT WASHER | A10-10,2X22,25X1,6 | 12 | |
| 3 | 00 0236 171 0 | HEXAGONAL NUT | M10 | 6 | |
| 4 | 00 2312 912 0 | MOUNT | | 1 | |
| 5 | 00 0034 018 0 | CAP | | 1 | |
| 6 | 00 0038 915 0 | SOCKET | SV 80 B/40 | 1 | |
| 7 | 00 0736 238 0 | TANK FILTER | | 1 | |
| 8 | 00 1828 333 0 | ADAPTER | | 1 | 2) |
| 9 | 00 1828 336 0 | O-RING | 19X4-N | 1 | |
| 10 | 00 0218 694 0 | O-RING | 18 X3 -N | 1 | |
| 11 | 00 0550 430 1 | RETURN PIPE | | 1 | 3) |
| 12 | 00 0217 501 0 | CONNECTOR | NQS 1/2" - 6 X 90 GRAD | 1 | |
| 13 | 00 0794 417 2 | VENTILATION | | 1 | 4) |
| 14 | 00 1828 336 0 | O-RING | 19X4-N | 1 | |
| 15 | 00 0218 694 0 | O-RING | 18 X3 -N | 1 | |
| 16 | 00 1811 920 0 | LEVEL INDICATOR | L=1020MM | 1 | 5) |
| 16 | 00 0783 653 0 | PT SCREW | 6ST 4X40 | 1 | |
| 17 | 00 0794 993 0 | GASKET | VORRATSGEBER | 1 | |
| 18 | 00 0459 454 0 | PVC-HOSE | 6 X 1,5 | 1 | 6) |
| 19 | 00 2151 573 0 | CABLE TIE | 4,6 X 200 2TLG. KANTENBE | 1 | |
| 20 | 00 0783 649 1 | ADAPTER | | 1 | 7) |
| 21 | 00 0217 460 0 | O-RING | 18,64X3,53 -N | 1 | |
| 22 | 00 0218 694 0 | O-RING | 18 X3 -N | 1 | |
| 23 | 00 0550 428 1 | SUCTION PIPE | | 1 | 8) |
| 24 | 00 0218 694 0 | O-RING | 18 X3 -N | 1 | |
| 25 | 00 0550 068 0 | SCREW PLUG | | 1 | 9) |
| 26 | 00 0237 382 0 | HEXAGON HEAD BOLT | M10X20 | 4 | |
| 27 | 00 0239 394 1 | CONTACT WASHER | B10 | 4 | |
| 28 | 00 0548 224 1 | WASHER | | 2 | |
| 29 | 00 2312 750 0 | FUEL TANK | | 1 | 10) |
| 30 | 00 0536 232 0 | CAP | DV80A M. SCHLOSS | 1 | 11) |
| 31 | 00 0536 215 0 | LOCKING CYLINDER | TANK,STANDARD SCHLIESSUN | 1 | 12) |
| 31 | 00 0536 225 0 | LOCKING CYLINDER | TANK,INDIVIDUELLE SCHLIE | 1 | 11) |

| | | |
|---------------------|-------------|-----------------------------------|
| 1) Equipment | MD_P14_0050 | Fuel tank 500 litres |
| 2) Remarks | | with Item 9 |
| 3) Remarks | | with Item 8 - 10 |
| 4) Remarks | | with Item 14, 15 |
| 5) CCN | CCN-B043 | fuel level sensor with Item 17 |
| 6) Remarks | | 1900 mm long |
| 7) Remarks | | with Item. 21, 22 |
| 8) Remarks | | with Item 20 - 22 |

100 FUEL TANK 1)

| | | |
|----------------------|-------------|----------------------------|
| 9) Remarks | | with Item 24 |
| 10) Remarks | | with Item 5-17,20-25 |
| 11) Equipment | MD_Q18_0020 | Locking system, individual |
| 12) Equipment | MD_Q18_0010 | Locking system, standard |



100 FUEL TANK 1)

| Pos. | Part No. | Description | Dimension | Quantity | Conditions |
|------|----------------------|-------------------|-----------------------------|----------|------------|
| 1 | 00 0237 461 0 | HEXAGON HEAD BOLT | M12X30 | 12 | |
| 1 | 00 0239 389 0 | CONTACT WASHER | A12 | 24 | |
| 1 | 00 0236 172 0 | HEXAGONAL NUT | M12 | 12 | |
| 2 | 00 0548 203 0 | MOUNT | | 1 | |
| 3 | 00 0237 383 0 | HEXAGON HEAD BOLT | M10X25 | 6 | |
| 3 | 00 0239 388 0 | CONTACT WASHER | A10-10,2X22,25X1,6 | 12 | |
| 3 | 00 0236 171 0 | HEXAGONAL NUT | M10 | 6 | |
| 4 | 00 2312 912 0 | MOUNT | | 1 | |
| 5 | 00 0034 018 0 | CAP | | 1 | |
| 6 | 00 0038 915 0 | SOCKET | SV 80 B/40 | 1 | |
| 7 | 00 0736 238 0 | TANK FILTER | | 1 | |
| 8 | 00 1828 333 0 | ADAPTER | | 1 | 2) |
| 9 | 00 1828 336 0 | O-RING | 19X4-N | 1 | |
| 10 | 00 0218 694 0 | O-RING | 18 X3 -N | 1 | |
| 11 | 00 0550 429 1 | RETURN PIPE | | 1 | 3) |
| 12 | 00 0217 501 0 | CONNECTOR | NQS 1/2" - 6 X 90 GRAD | 1 | |
| 13 | 00 0794 417 2 | VENTILATION | | 1 | 4) |
| 14 | 00 1828 336 0 | O-RING | 19X4-N | 1 | |
| 15 | 00 0218 694 0 | O-RING | 18 X3 -N | 1 | |
| 16 | 00 0016 595 0 | LEVEL INDICATOR | D66X1210 | 1 | 5) |
| 16 | 00 0783 653 0 | PT SCREW | 6ST 4X40 | 1 | |
| 17 | 00 0794 993 0 | GASKET | VORRATSGEBER | 1 | |
| 18 | 00 0459 454 0 | PVC-HOSE | 6 X 1,5 | 1 | 6) |
| 19 | 00 2151 573 0 | CABLE TIE | 4,6 X 200 2TLG. KANTENBE | 1 | |
| 20 | 00 0783 649 1 | ADAPTER | | 1 | 7) |
| 21 | 00 0217 460 0 | O-RING | 18,64X3,53 -N | 1 | |
| 22 | 00 0218 694 0 | O-RING | 18 X3 -N | 1 | |
| 23 | 00 0550 428 1 | SUCTION PIPE | | 1 | 8) |
| 24 | 00 0218 694 0 | O-RING | 18 X3 -N | 1 | |
| 25 | 00 0550 068 0 | SCREW PLUG | | 1 | 9) |
| 26 | 00 0237 382 0 | HEXAGON HEAD BOLT | M10X20 | 4 | |
| 27 | 00 0239 394 1 | CONTACT WASHER | B10 | 4 | |
| 28 | 00 0548 224 1 | WASHER | | 2 | |
| 29 | 00 2312 748 0 | FUEL TANK | | 1 | 10) |
| 30 | 00 0536 232 0 | CAP | DV80A M. SCHLOSS | 1 | 11) |
| 31 | 00 0536 215 0 | LOCKING CYLINDER | TANK,STANDARD SCHLIESSUN | 1 | 12) |
| 31 | 00 0536 225 0 | LOCKING CYLINDER | TANK,INDIVIDUELLE SCHLIE | 1 | 11) |

| | | |
|---------------------|-------------|-----------------------------------|
| 1) Equipment | MD_P14_0065 | Fuel tank 650 litres |
| 2) Remarks | | with Item 9 |
| 3) Remarks | | with Item 8 - 10 |
| 4) Remarks | | with Item 14, 15 |
| 5) CCN | CCN-B043 | fuel level sensor with Item 17 |
| 6) Remarks | | 1900 mm long |
| 7) Remarks | | with Item. 21, 22 |
| 8) Remarks | | with Item 20 - 22 |

100 FUEL TANK 1)

| | | |
|----------------------|-------------|----------------------------|
| 9) Remarks | | with Item 24 |
| 10) Remarks | | with Item 5-17,20-25 |
| 11) Equipment | MD_Q18_0020 | Locking system, individual |
| 12) Equipment | MD_Q18_0010 | Locking system, standard |

Thank you so much for reading.
Please click the “Buy Now!”
button below to download the
complete manual.



After you pay.

You can download the most
perfect and complete manual in
the world immediately.

Our support email:

ebooklibonline@outlook.com