

**010 COMPLETE ENGINE 1)**

Pos.	Part No.	Description	Dimension	Quantity	Conditions
1	<b>00 2598 535 1</b>	ENGINE	OM936 210KW E5 TUCANO	1	2)
1	<b>00 2598 536 0</b>	ENGINE	OM936 K 210KW E5 TUCANO	1	3)
1	<b>00 1986 261 0</b>	ENGINE	REMAN OM 936 210KW E5 TU	1	2)
1	<b>00 1986 224 0</b>	ENGINE	REMAN OM936 K 210KW E5 T	1	3)

**1) Equipment**

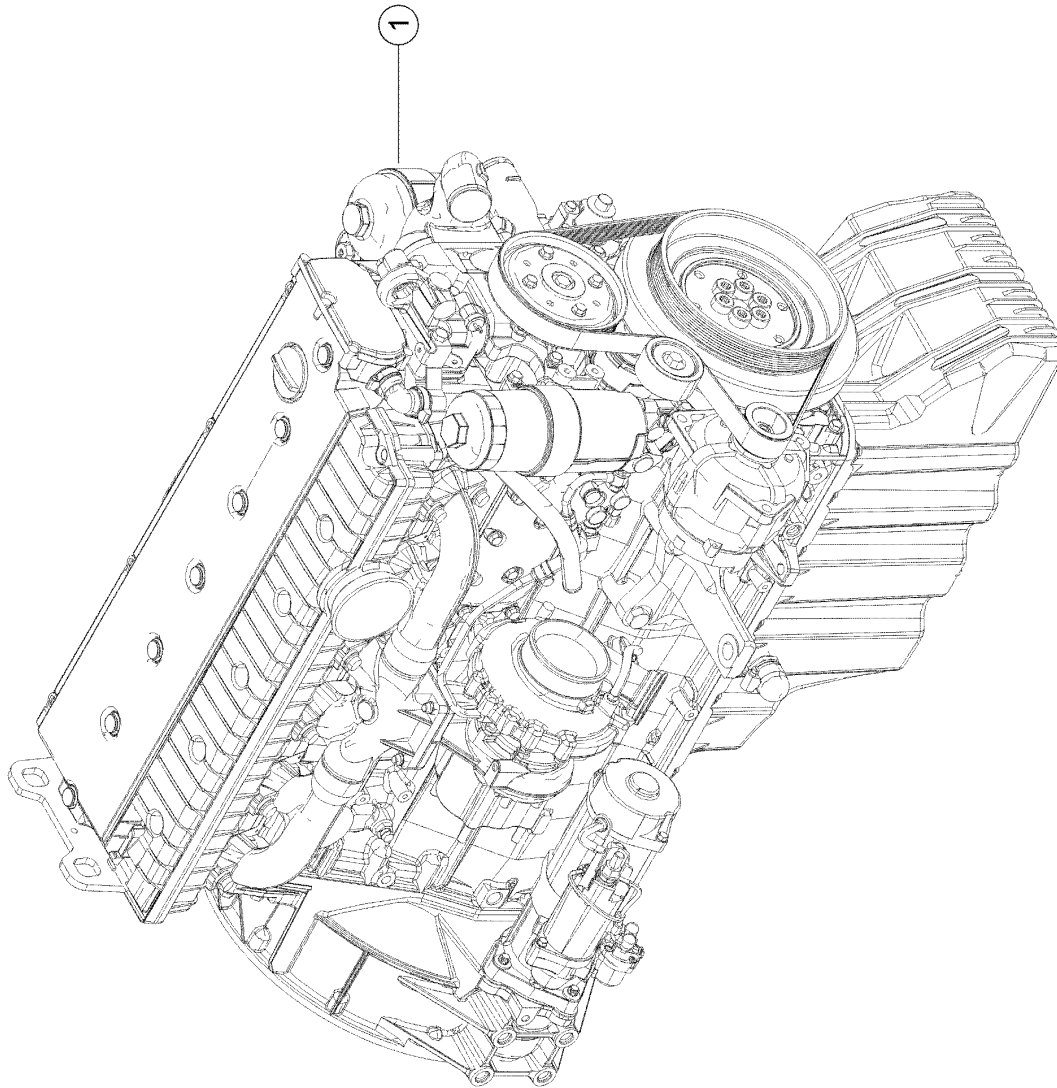
MD_P02_0895	Mercedes Benz OM936 LA - 210 kW/286 hp (Stage V)
MD_P02_0896	Mercedes-Benz OM936 LA - 210 kW/286 hp (Stage V), air compressor

**2) Equipment**

MD_P02_0895	Mercedes Benz OM936 LA - 210 kW/286 hp (Stage V)
-------------	--

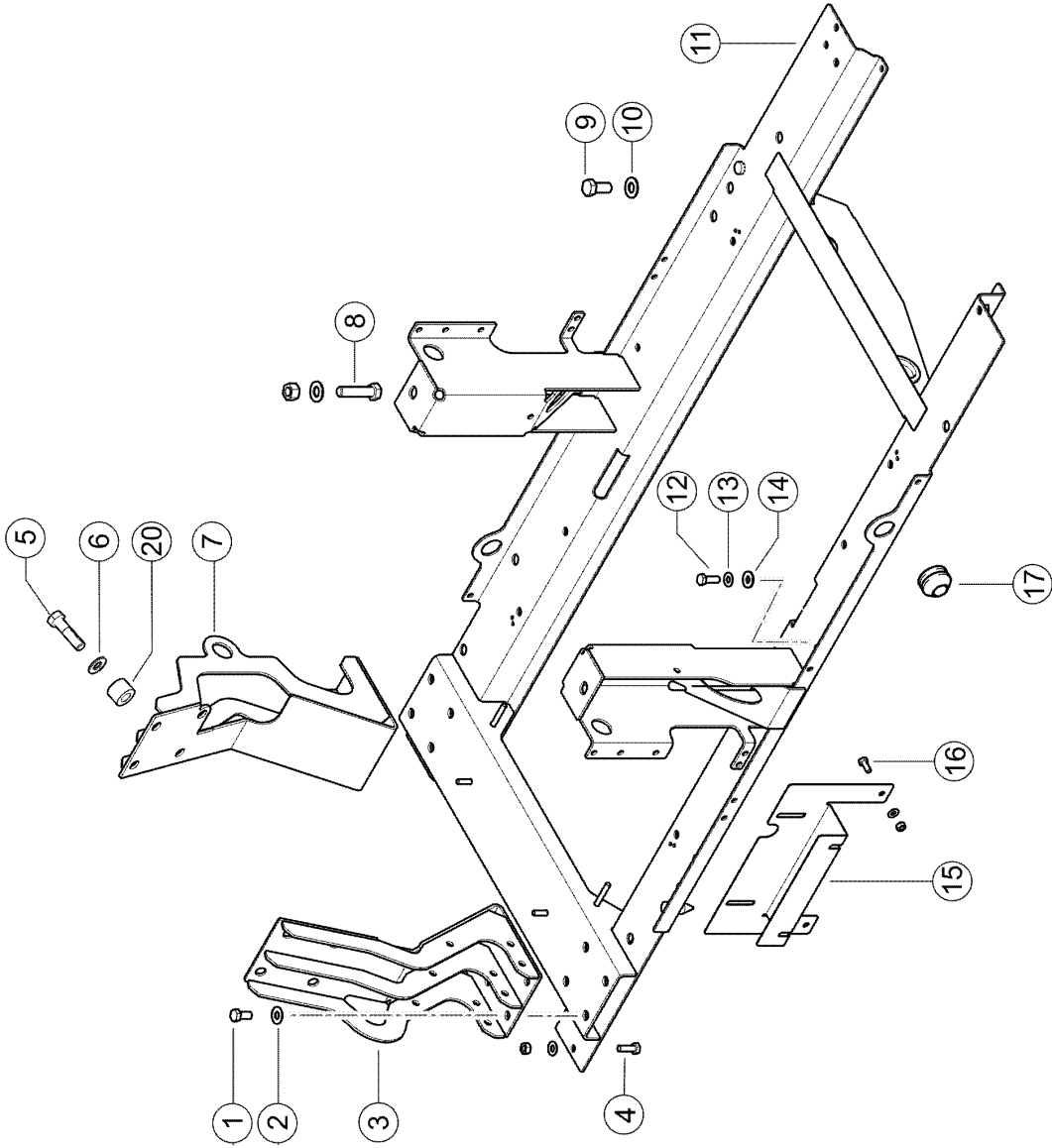
**3) Equipment**

MD_P02_0896	Mercedes-Benz OM936 LA - 210 kW/286 hp (Stage V), air compressor
-------------	--



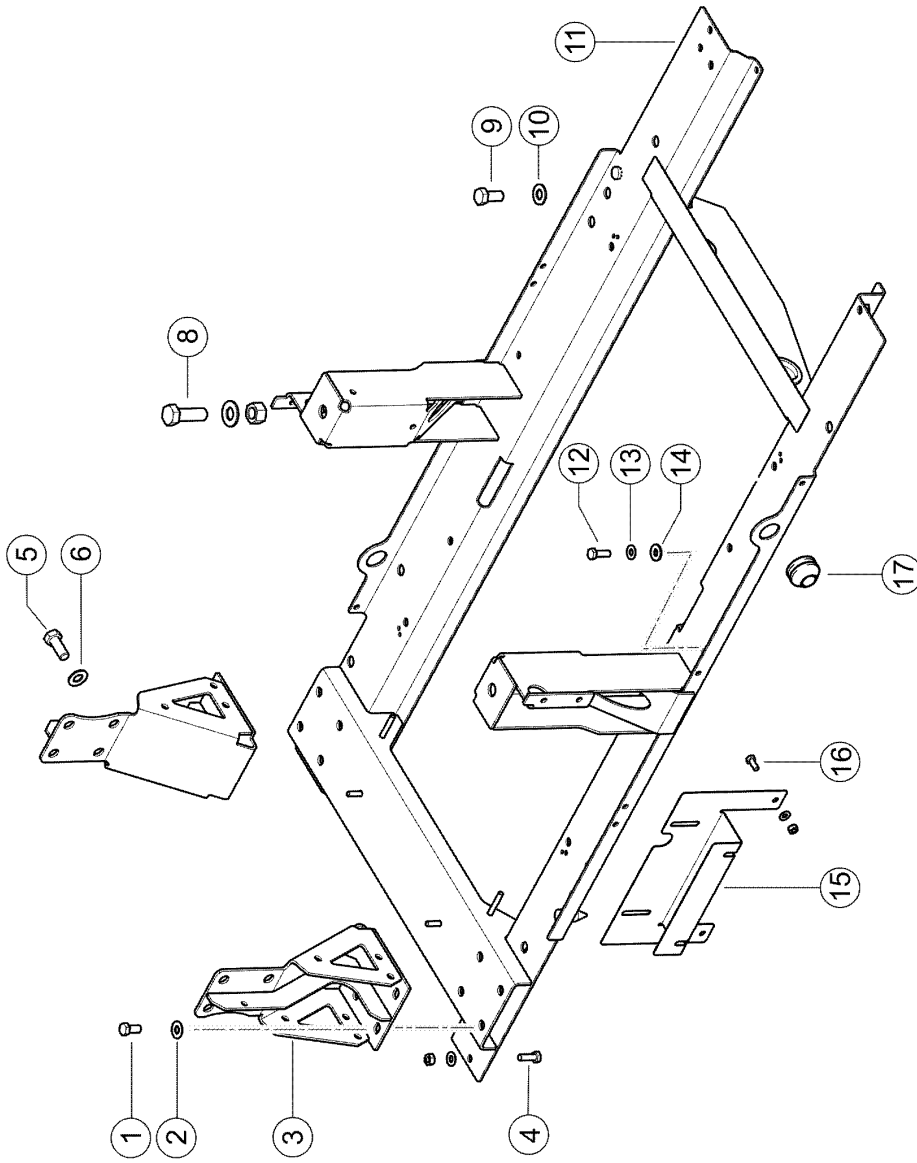
**010 COMPLETE ENGINE 1)**

Pos.	Part No.	Description	Dimension	Quantity	Conditions
1	<b>00 0773 715 0</b>	ENGINE	OM906LA 205KW TIER3	1	2)
1	<b>00 0773 716 0</b>	ENGINE	OM906LA 205KW TIER3	1	3)
<b>1)</b>	<b>Equipment</b>				
		MD_P02_0725	OM906LA ECE R120 205 kW@2200 rpm Tier 3 / Stage IIIA		
		MD_P02_0726	OM906LA DL compr. ECE R120 205 kW@2200 rpm Tier 3 / Stage IIIA		
<b>2)</b>	<b>Equipment</b>				
		MD_P02_0725	OM906LA ECE R120 205 kW@2200 rpm Tier 3 / Stage IIIA		
<b>3)</b>	<b>Equipment</b>				
		MD_P02_0726	OM906LA DL compr. ECE R120 205 kW@2200 rpm Tier 3 / Stage IIIA		



**100 ENGINE SUSPENSION 1)**

Pos.	Part No.	Description	Dimension	Quantity	Conditions
1	<b>00 0236 056 0</b>	HEXAGON HEAD BOLT	M12X25	8	
2	<b>00 0239 389 0</b>	CONTACT WASHER	A12	8	
3	<b>00 0781 158 4</b>	SUPPORT	MTU OM936LA RE	1	
4	<b>00 0237 453 0</b>	HEXAGON HEAD BOLT	M10X30	1	
4	<b>00 0239 388 0</b>	CONTACT WASHER	A10-10,2X22,25X1,6	1	
4	<b>00 0236 171 0</b>	HEXAGONAL NUT	M10	1	
5	<b>00 1035 828 1</b>	HEXAGON HEAD BOLT	M16X60	7	
6	<b>00 0239 391 0</b>	CONTACT WASHER	A16	7	
7	<b>00 0781 155 3</b>	SUPPORT	MTU TIER4F OM936LA 1 LI		
8	<b>00 0233 095 0</b>	HEXAGON HEAD BOLT	M16X65	2	
8	<b>00 0239 391 0</b>	CONTACT WASHER	A16	2	
8	<b>00 0236 173 0</b>	HEXAGONAL NUT	M16	2	
9	<b>00 0236 230 0</b>	HEXAGON HEAD BOLT	M16X35	5	
10	<b>00 0239 391 0</b>	CONTACT WASHER	A16	5	
11	<b>00 0773 788 6</b>	ENGINE MOUNTING	DAIMLER OM936LA	1	
12	<b>00 0237 453 0</b>	HEXAGON HEAD BOLT	M10X30	2	
13	<b>00 0239 388 0</b>	CONTACT WASHER	A10-10,2X22,25X1,6	2	
14	<b>00 0234 326 0</b>	WASHER	11X26X3	2	
15	<b>00 0781 297 3</b>	SUPPORT	2X207X376,2	1	
16	<b>00 0236 200 0</b>	HEXAGON HEAD BOLT	M8X20	2	
16	<b>00 0239 387 0</b>	CONTACT WASHER	A8-8,2X18X1,4	2	
16	<b>00 0236 170 0</b>	HEXAGONAL NUT	M8	2	
17	<b>00 0734 779 0</b>	CABLE RING	C 20-35X50X2	1	
20	<b>00 2598 063 0</b>	SLEEVE	D35X25	7	
<b>1) Equipment</b>					
		MD_P02_0895			Mercedes Benz OM936 LA - 210 kW/286 hp (Stage V)
		MD_P02_0896			Mercedes-Benz OM936 LA - 210 kW/286 hp (Stage V), air compressor

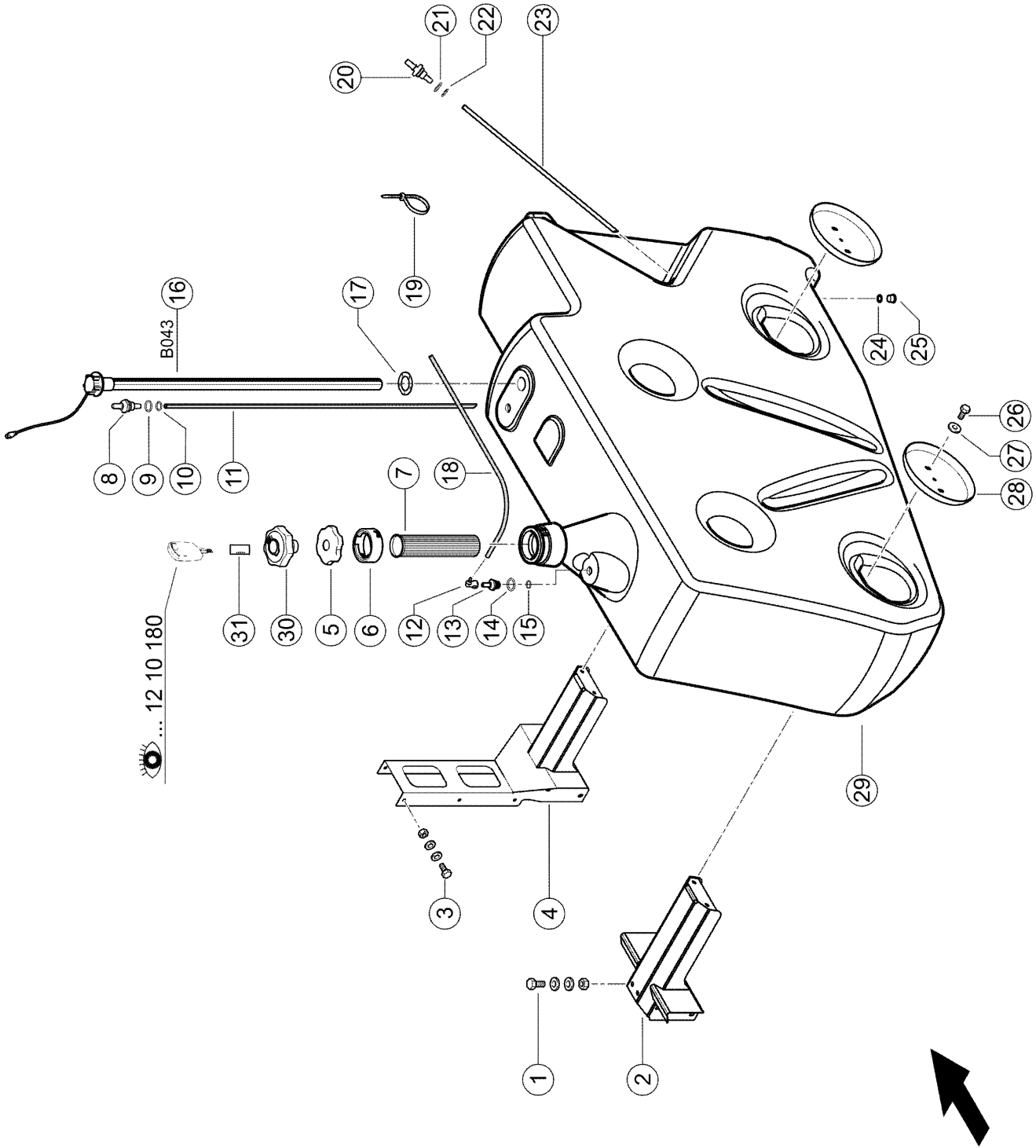


**100 ENGINE SUSPENSION 1)**

Pos.	Part No.	Description	Dimension	Quantity	Conditions
1	<b>00 0236 056 0</b>	HEXAGON HEAD BOLT	M12X25	8	
2	<b>00 0239 389 0</b>	CONTACT WASHER	A12	8	
3	<b>00 0781 253 1</b>	SUPPORT		2	
4	<b>00 0237 453 0</b>	HEXAGON HEAD BOLT	M10X30	1	
4	<b>00 0239 388 0</b>	CONTACT WASHER	A10-10,2X22,25X1,6	1	
4	<b>00 0236 171 0</b>	HEXAGONAL NUT	M10	1	
5	<b>00 0368 026 0</b>	HEX.HEAD BOLT	M16X40	8	
6	<b>00 0239 391 0</b>	CONTACT WASHER	A16	8	
8	<b>00 0237 591 0</b>	HEX.HEAD BOLT	M20X60	2	
8	<b>00 0212 191 0</b>	CONTACT WASHER	A20	2	
8	<b>00 0237 521 0</b>	HEX.NUT	M20	2	
9	<b>00 0236 230 0</b>	HEXAGON HEAD BOLT	M16X35	6	
10	<b>00 0239 391 0</b>	CONTACT WASHER	A16	6	
11	<b>00 0781 150 6</b>	ENGINE MOUNTING	DAIMLER OM906LA OM926LA	1	
12	<b>00 0237 453 0</b>	HEXAGON HEAD BOLT	M10X30	2	
13	<b>00 0239 388 0</b>	CONTACT WASHER	A10-10,2X22,25X1,6	2	
14	<b>00 0234 326 0</b>	WASHER	11X26X3	2	
15	<b>00 0781 297 3</b>	SUPPORT	2X207X376,2	1	
16	<b>00 0236 200 0</b>	HEXAGON HEAD BOLT	M8X20	2	
16	<b>00 0239 387 0</b>	CONTACT WASHER	A8-8,2X18X1,4	2	
16	<b>00 0236 170 0</b>	HEXAGONAL NUT	M8	2	
17	<b>00 0734 779 0</b>	CABLE RING	C 20-35X50X2	1	

**1) Equipment**MD\_P02\_0725  
MD\_P02\_0726OM906LA ECE R120 205 kW@2200 rpm Tier 3 / Stage IIIA  
OM906LA DL compr. ECE R120 205 kW@2200 rpm Tier 3 / Stage IIIA





**100 FUEL TANK 1)**

Pos.	Part No.	Description	Dimension	Quantity	Conditions
1	<b>00 0237 461 0</b>	HEXAGON HEAD BOLT	M12X30	12	
1	<b>00 0239 389 0</b>	CONTACT WASHER	A12	24	
1	<b>00 0236 172 0</b>	HEXAGONAL NUT	M12	12	
2	<b>00 0548 203 0</b>	MOUNT		1	
3	<b>00 0237 383 0</b>	HEXAGON HEAD BOLT	M10X25	6	
3	<b>00 0239 388 0</b>	CONTACT WASHER	A10-10,2X22,25X1,6	12	
3	<b>00 0236 171 0</b>	HEXAGONAL NUT	M10	6	
4	<b>00 2312 912 0</b>	MOUNT		1	
5	<b>00 0034 018 0</b>	CAP		1	
6	<b>00 0038 915 0</b>	SOCKET	SV 80 B/40	1	
7	<b>00 0736 238 0</b>	TANK FILTER		1	
8	<b>00 1828 333 0</b>	ADAPTER		1	2)
9	<b>00 1828 336 0</b>	O-RING	19X4-N	1	
10	<b>00 0218 694 0</b>	O-RING	18 X3 -N	1	
11	<b>00 0550 430 1</b>	RETURN PIPE		1	3)
12	<b>00 0217 501 0</b>	CONNECTOR	NQS 1/2" - 6 X 90 GRAD	1	
13	<b>00 0794 417 2</b>	VENTILATION		1	4)
14	<b>00 1828 336 0</b>	O-RING	19X4-N	1	
15	<b>00 0218 694 0</b>	O-RING	18 X3 -N	1	
16	<b>00 1811 920 0</b>	LEVEL INDICATOR	L=1020MM	1	5)
16	<b>00 0783 653 0</b>	PT SCREW	6ST 4X40	1	
17	<b>00 0794 993 0</b>	GASKET	VORRATSGEBER	1	
18	<b>00 0459 454 0</b>	PVC-HOSE	6 X 1,5	1	6)
19	<b>00 2151 573 0</b>	CABLE TIE	4,6 X 200 2TLG. KANTENBE	1	
20	<b>00 0783 649 1</b>	ADAPTER		1	7)
21	<b>00 0217 460 0</b>	O-RING	18,64X3,53 -N	1	
22	<b>00 0218 694 0</b>	O-RING	18 X3 -N	1	
23	<b>00 0550 428 1</b>	SUCTION PIPE		1	8)
24	<b>00 0218 694 0</b>	O-RING	18 X3 -N	1	
25	<b>00 0550 068 0</b>	SCREW PLUG		1	9)
26	<b>00 0237 382 0</b>	HEXAGON HEAD BOLT	M10X20	4	
27	<b>00 0239 394 1</b>	CONTACT WASHER	B10	4	
28	<b>00 0548 224 1</b>	WASHER		2	
29	<b>00 2312 750 0</b>	FUEL TANK		1	10)
30	<b>00 0536 232 0</b>	CAP	DV80A M. SCHLOSS	1	11)
31	<b>00 0536 215 0</b>	LOCKING CYLINDER	TANK,STANDARD SCHLIESSUN	1	12)
31	<b>00 0536 225 0</b>	LOCKING CYLINDER	TANK,INDIVIDUELLE SCHLIE	1	11)

**1) Equipment**

MD\_P14\_0050

Fuel tank 500 litres

**2) Remarks**

with Item 9

**3) Remarks**

with Item 8 - 10

**4) Remarks**

with Item 14, 15

**5) CCN**

CCN-B043

fuel level sensor  
with Item 17**6) Remarks**

1900 mm long

**7) Remarks**

with Item. 21, 22

**8) Remarks**

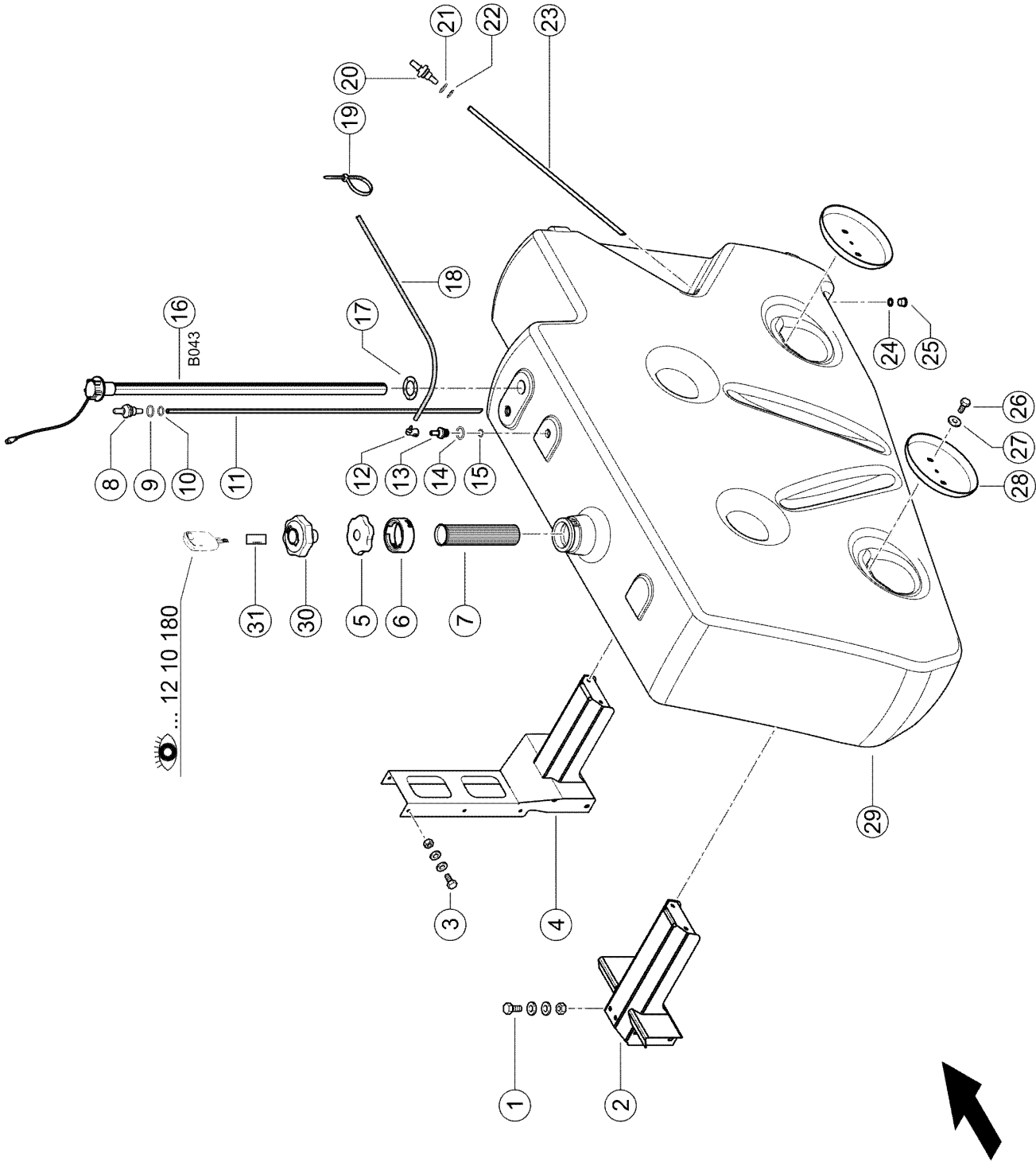
with Item 20 - 22

**100 FUEL TANK 1)**

---

<b>9) Remarks</b>		with Item 24
<b>10) Remarks</b>		with Item 5-17,20-25
<b>11) Equipment</b>	MD_Q18_0020	Locking system, individual
<b>12) Equipment</b>	MD_Q18_0010	Locking system, standard

---



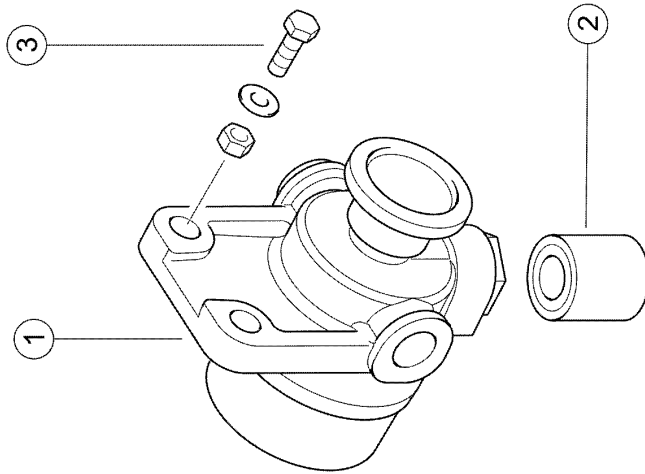
**100 FUEL TANK 1)**

Pos.	Part No.	Description	Dimension	Quantity	Conditions
1	<b>00 0237 461 0</b>	HEXAGON HEAD BOLT	M12X30	12	
1	<b>00 0239 389 0</b>	CONTACT WASHER	A12	24	
1	<b>00 0236 172 0</b>	HEXAGONAL NUT	M12	12	
2	<b>00 0548 203 0</b>	MOUNT		1	
3	<b>00 0237 383 0</b>	HEXAGON HEAD BOLT	M10X25	6	
3	<b>00 0239 388 0</b>	CONTACT WASHER	A10-10,2X22,25X1,6	12	
3	<b>00 0236 171 0</b>	HEXAGONAL NUT	M10	6	
4	<b>00 2312 912 0</b>	MOUNT		1	
5	<b>00 0034 018 0</b>	CAP		1	
6	<b>00 0038 915 0</b>	SOCKET	SV 80 B/40	1	
7	<b>00 0736 238 0</b>	TANK FILTER		1	
8	<b>00 1828 333 0</b>	ADAPTER		1	2)
9	<b>00 1828 336 0</b>	O-RING	19X4-N	1	
10	<b>00 0218 694 0</b>	O-RING	18 X3 -N	1	
11	<b>00 0550 429 1</b>	RETURN PIPE		1	3)
12	<b>00 0217 501 0</b>	CONNECTOR	NQS 1/2" - 6 X 90 GRAD	1	
13	<b>00 0794 417 2</b>	VENTILATION		1	4)
14	<b>00 1828 336 0</b>	O-RING	19X4-N	1	
15	<b>00 0218 694 0</b>	O-RING	18 X3 -N	1	
16	<b>00 0016 595 0</b>	LEVEL INDICATOR	D66X1210	1	5)
16	<b>00 0783 653 0</b>	PT SCREW	6ST 4X40	1	
17	<b>00 0794 993 0</b>	GASKET	VORRATSGEBER	1	
18	<b>00 0459 454 0</b>	PVC-HOSE	6 X 1,5	1	6)
19	<b>00 2151 573 0</b>	CABLE TIE	4,6 X 200 2TLG. KANTENBE	1	
20	<b>00 0783 649 1</b>	ADAPTER		1	7)
21	<b>00 0217 460 0</b>	O-RING	18,64X3,53 -N	1	
22	<b>00 0218 694 0</b>	O-RING	18 X3 -N	1	
23	<b>00 0550 428 1</b>	SUCTION PIPE		1	8)
24	<b>00 0218 694 0</b>	O-RING	18 X3 -N	1	
25	<b>00 0550 068 0</b>	SCREW PLUG		1	9)
26	<b>00 0237 382 0</b>	HEXAGON HEAD BOLT	M10X20	4	
27	<b>00 0239 394 1</b>	CONTACT WASHER	B10	4	
28	<b>00 0548 224 1</b>	WASHER		2	
29	<b>00 2312 748 0</b>	FUEL TANK		1	10)
30	<b>00 0536 232 0</b>	CAP	DV80A M. SCHLOSS	1	11)
31	<b>00 0536 215 0</b>	LOCKING CYLINDER	TANK,STANDARD SCHLIESSUN	1	12)
31	<b>00 0536 225 0</b>	LOCKING CYLINDER	TANK,INDIVIDUELLE SCHLIE	1	11)

<b>1) Equipment</b>	MD_P14_0065	Fuel tank 650 litres
<b>2) Remarks</b>		with Item 9
<b>3) Remarks</b>		with Item 8 - 10
<b>4) Remarks</b>		with Item 14, 15
<b>5) CCN</b>	CCN-B043	fuel level sensor with Item 17
<b>6) Remarks</b>		1900 mm long
<b>7) Remarks</b>		with Item. 21, 22
<b>8) Remarks</b>		with Item 20 - 22

**100 FUEL TANK 1)**

<b>9) Remarks</b>		with Item 24
<b>10) Remarks</b>		with Item 5-17,20-25
<b>11) Equipment</b>	MD_Q18_0020	Locking system, individual
<b>12) Equipment</b>	MD_Q18_0010	Locking system, standard



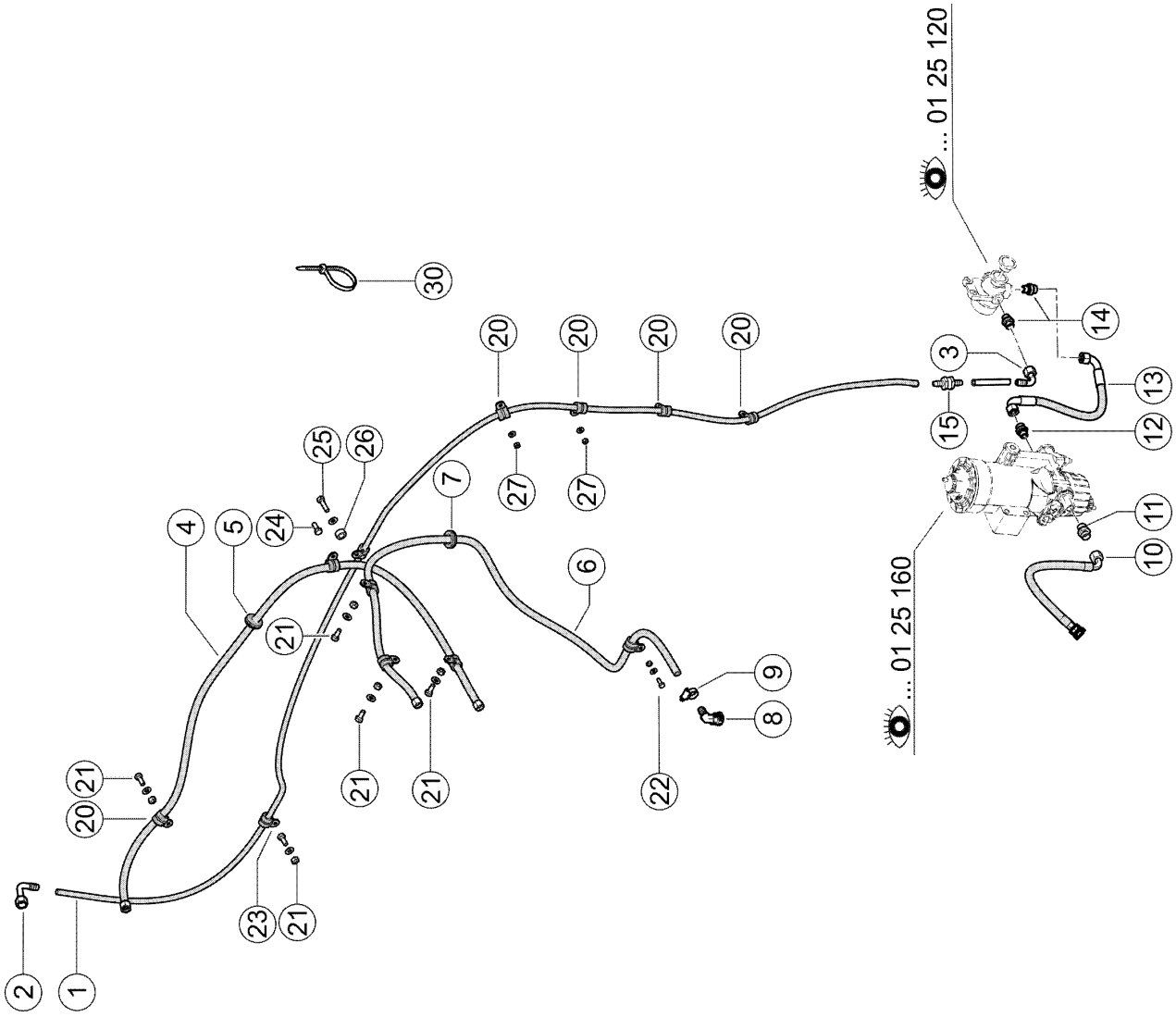
**120 FUEL DELIVERY PUMP**

<b>Pos.</b>	<b>Part No.</b>	<b>Description</b>	<b>Dimension</b>	<b>Quantity</b>	<b>Conditions</b>
1	<b>00 0068 665 0</b>	HAND PUMP	H11K06 M16X1,5	1	1)
1	<b>00 0077 447 0</b>	INSPECTION GLASS		1	
1	<b>00 0077 446 0</b>	SEALING RING	F. H11 K02	1	
2	<b>00 0077 445 0</b>	FILTER ELEMENT		1	
3	<b>00 0237 442 0</b>	HEXAGON HEAD BOLT	M8X25	2	
3	<b>00 0239 387 0</b>	CONTACT WASHER	A8-8,2X18X1,4	2	
3	<b>00 0236 170 0</b>	HEXAGONAL NUT	M8	2	

**1) Remarks**

with Item 2





**140 FUEL PIPES 1)**

Pos.	Part No.	Description	Dimension	Quantity	Conditions
1	<b>00 2728 132 0</b>	FUEL PIPE	OM936 - 1580	1	2)
2	<b>00 0068 687 1</b>	CONNECTION	M18X1,5-10/100GRAD 1 KRAFT	1	
3	<b>00 0142 279 0</b>	TUBE NIPPLE	DN10 - N90 L12 (M18X1,5)	1	
4	<b>00 0773 889 3</b>	FUEL PIPE	MOTOR - KUEHLER	1	3)
5	<b>00 0215 409 0</b>	GROMMET	C 10-18X30X1,5	1	
6	<b>00 0773 257 3</b>	FUEL PIPE	KUEHLER-TANK	1	4)
7	<b>00 0215 409 0</b>	GROMMET	C 10-18X30X1,5	1	
8	<b>00 0530 176 0</b>	CONNECTION	NQ-S-NW 1/2-08-90GRAD	1	
9	<b>00 0408 552 2</b>	HOSE CLAMP	A-12-22X9	1	
10	<b>00 0773 601 2</b>	FUEL PIPE	TANK-FILTER	1	
11	<b>00 0215 799 0</b>	SCREW-IN FITTING	SDS-L12XG3/8A-TYPE 1 E	1	
12	<b>00 0249 778 0</b>	SCREW-IN FITTING	SDS-L15XG3/8A-TYPE 1 E	1	
13	<b>00 0773 602 1</b>	FUEL PIPE	FILTER-HANDPUMPE	1	
14	<b>00 0216 097 0</b>	STRAIGHT MALE CONNECTOR	SDS-L12XM16X1, 5-TYPE E	2	
15	<b>00 0773 855 0</b>	NON-RETURN VALVE	NW 10	1	
20	<b>00 0215 612 0</b>	PIPE CLAMP	D1-17X20	6	
21	<b>00 0236 200 0</b>	HEXAGON HEAD BOLT	M8X20	5	
21	<b>00 0239 387 0</b>	CONTACT WASHER	A8-8,2X18X1,4	5	
21	<b>00 0236 170 0</b>	HEXAGONAL NUT	M8	5	
22	<b>00 0237 465 0</b>	HEXAGON HEAD BOLT	M6X16	1	
22	<b>00 0239 386 0</b>	CONTACT WASHER	A 6	1	
22	<b>00 0236 169 0</b>	HEXAGONAL NUT	M6	1	
23	<b>00 0812 991 0</b>	HOLDER CLAMP	D1-15X20	6	
24	<b>00 0237 466 0</b>	HEXAGON HEAD BOLT	M06X20	1	
24	<b>00 0239 387 0</b>	CONTACT WASHER	A8-8,2X18X1,4	1	
25	<b>00 0237 370 0</b>	HEXAGON HEAD BOLT	M8X30	1	
25	<b>00 0239 387 0</b>	CONTACT WASHER	A8-8,2X18X1,4	1	
26	<b>00 0952 561 0</b>	SPACER BUSH	20H9-D11X 10	1	
27	<b>00 0236 169 0</b>	HEXAGONAL NUT	M6	2	
27	<b>00 0239 386 0</b>	CONTACT WASHER	A 6	2	
30	<b>00 0237 871 0</b>	CABLE TIE	4,8X188X1,3	2	

**1) Equipment**MD\_P02\_0895  
MD\_P02\_0896Mercedes Benz OM936 LA - 210 kW/286 hp (Stage V)  
Mercedes-Benz OM936 LA - 210 kW/286 hp (Stage V), air compressor**2) Remarks**

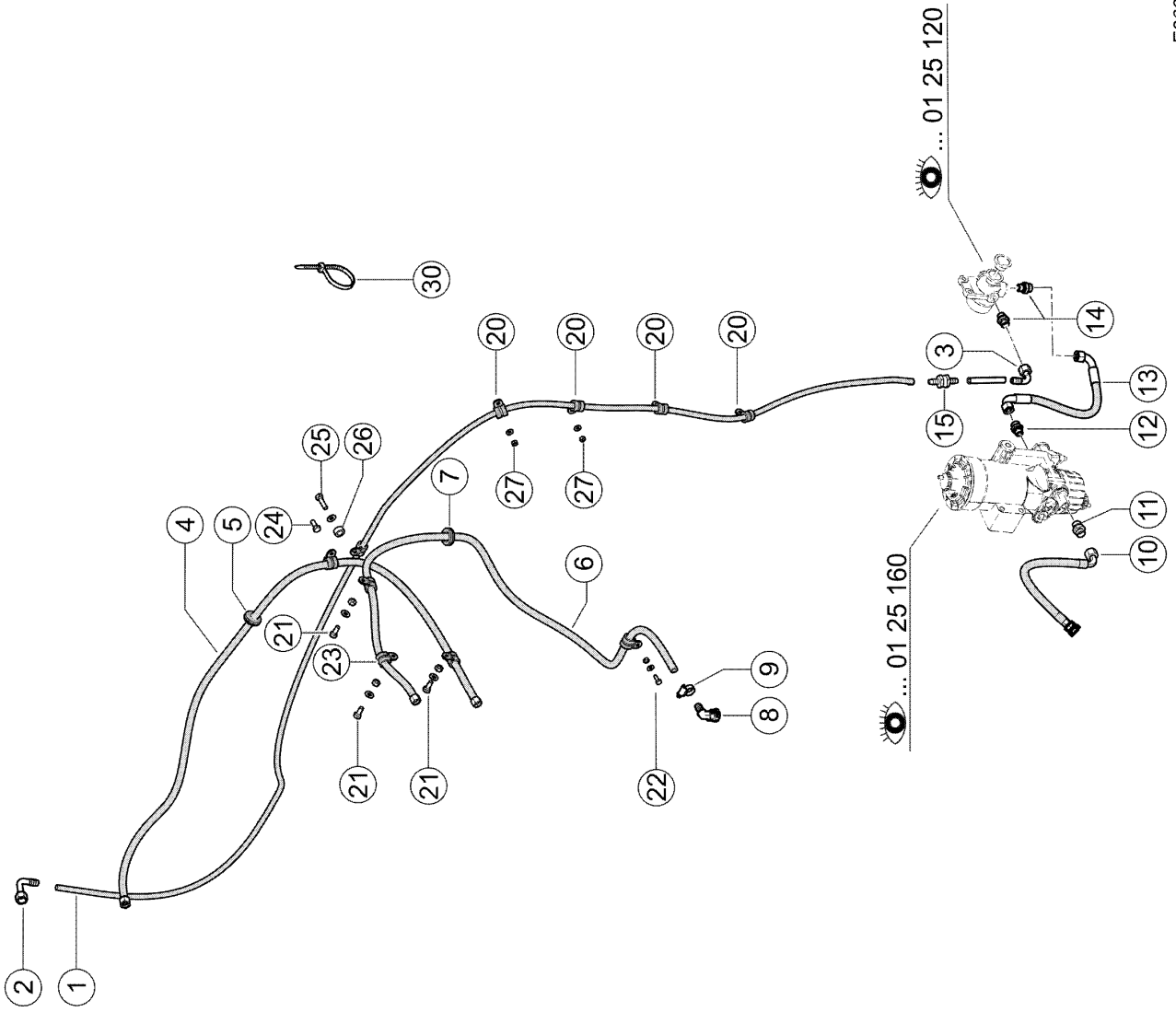
with Item 2, 3, 15

**3) Remarks**

with Item 5

**4) Remarks**

with Item 7 - 9



**140 FUEL PIPES 1)**

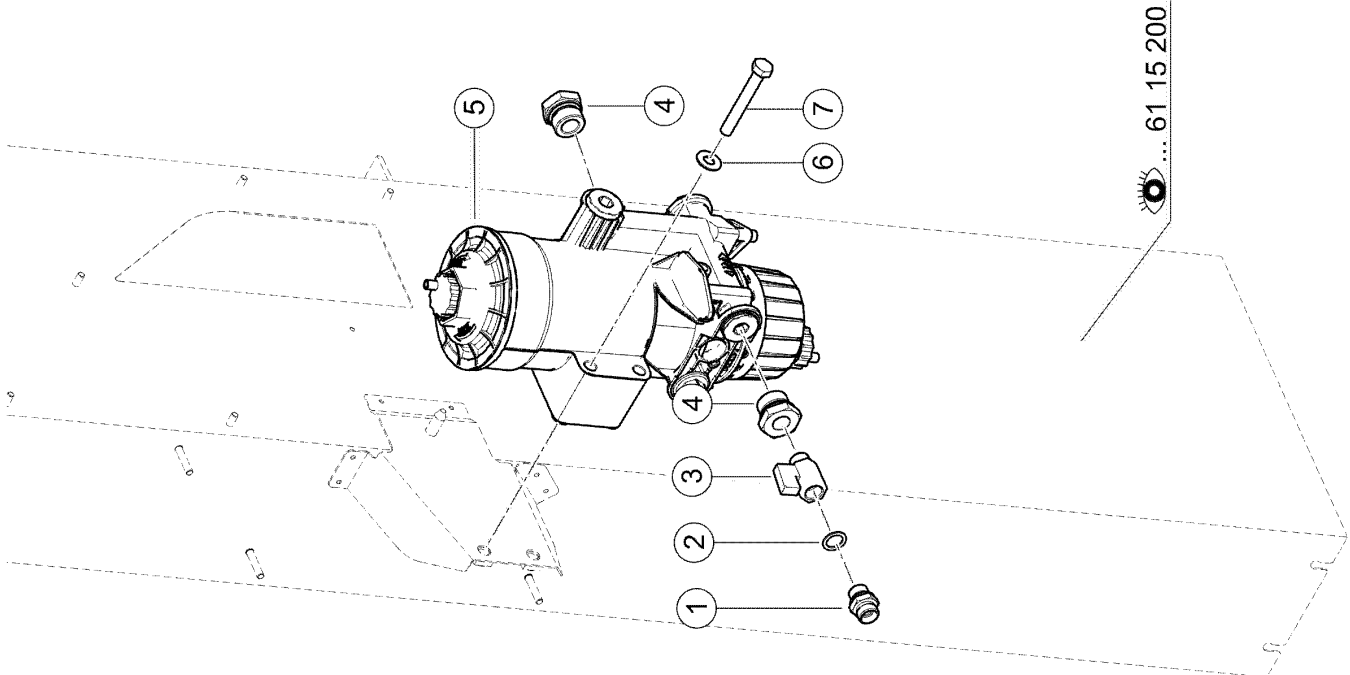
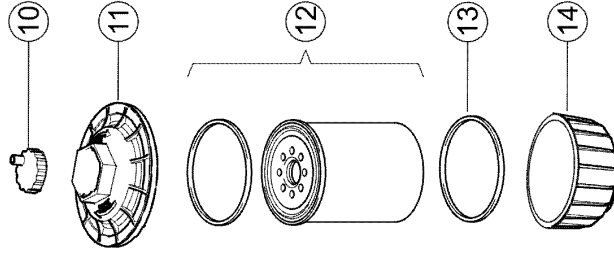
Pos.	Part No.	Description	Dimension	Quantity	Conditions
1	<b>00 2728 772 0</b>	FUEL PIPE	OM906/OM926 - 15801		2)
2	<b>00 0068 687 1</b>	CONNECTION	M18X1,5-10/100GRAD 1 KRAFT		
3	<b>00 0142 279 0</b>	TUBE NIPPLE	DN10 - N90 L12 (M18X1,5)	1	
4	<b>00 0773 889 3</b>	FUEL PIPE	MOTOR - KUEHLER	1	3)
5	<b>00 0215 409 0</b>	GROMMET	C 10-18X30X1,5	1	
6	<b>00 0773 257 3</b>	FUEL PIPE	KUEHLER-TANK	1	4)
7	<b>00 0215 409 0</b>	GROMMET	C 10-18X30X1,5	1	
8	<b>00 0530 176 0</b>	CONNECTION	NQ-S-NW 1/2-08-90GRAD	1	
9	<b>00 0408 552 2</b>	HOSE CLAMP	A-12-22X9	1	
10	<b>00 0773 601 2</b>	FUEL PIPE	TANK-FILTER	1	
11	<b>00 0215 799 0</b>	SCREW-IN FITTING	SDS-L12XG3/8A-TYPE 1 E		
12	<b>00 0249 778 0</b>	SCREW-IN FITTING	SDS-L15XG3/8A-TYPE 1 E		
13	<b>00 0773 602 1</b>	FUEL PIPE	FILTER-HANDPUMPE	1	
14	<b>00 0216 097 0</b>	STRAIGHT MALE CONNECTOR	SDS-L12XM16X1, 5-TYPE E	2	
15	<b>00 0773 855 0</b>	NON-RETURN VALVE	NW 10	1	
20	<b>00 0215 612 0</b>	PIPE CLAMP	D1-17X20	5	
21	<b>00 0236 200 0</b>	HEXAGON HEAD BOLT	M8X20	3	
21	<b>00 0239 387 0</b>	CONTACT WASHER	A8-8,2X18X1,4	3	
21	<b>00 0236 170 0</b>	HEXAGONAL NUT	M8	3	
22	<b>00 0237 465 0</b>	HEXAGON HEAD BOLT	M6X16	1	
22	<b>00 0239 386 0</b>	CONTACT WASHER	A 6	1	
22	<b>00 0236 169 0</b>	HEXAGONAL NUT	M6	1	
23	<b>00 0812 991 0</b>	HOLDER CLAMP	D1-15X20	5	
24	<b>00 0237 466 0</b>	HEXAGON HEAD BOLT	M06X20	1	
24	<b>00 0239 387 0</b>	CONTACT WASHER	A8-8,2X18X1,4	1	
25	<b>00 0237 370 0</b>	HEXAGON HEAD BOLT	M8X30	1	
25	<b>00 0239 387 0</b>	CONTACT WASHER	A8-8,2X18X1,4	1	
26	<b>00 0952 561 0</b>	SPACER BUSH	20H9-D11X 10	1	
27	<b>00 0236 169 0</b>	HEXAGONAL NUT	M6	2	
27	<b>00 0239 386 0</b>	CONTACT WASHER	A 6	2	
30	<b>00 0237 871 0</b>	CABLE TIE	4,8X188X1,3	1	

**1) Equipment**MD\_P02\_0725  
MD\_P02\_0726OM906LA ECE R120 205 kW@2200 rpm Tier 3 / Stage IIIA  
OM906LA DL compr. ECE R120 205 kW@2200 rpm Tier 3 / Stage IIIA**2) machine no.**+ from L3300024 up to L3399999  
+ from L4300011 up to L4399999  
with Item 2, 3, 15**3) Remarks**

with Item 5

**4) Remarks**

with Item 7 - 9



Thank you so much for reading.  
Please click the “Buy Now!”  
button below to download the  
complete manual.



After you pay.

You can download the most  
perfect and complete manual in  
the world immediately.

Our support email:

[ebooklibonline@outlook.com](mailto:ebooklibonline@outlook.com)