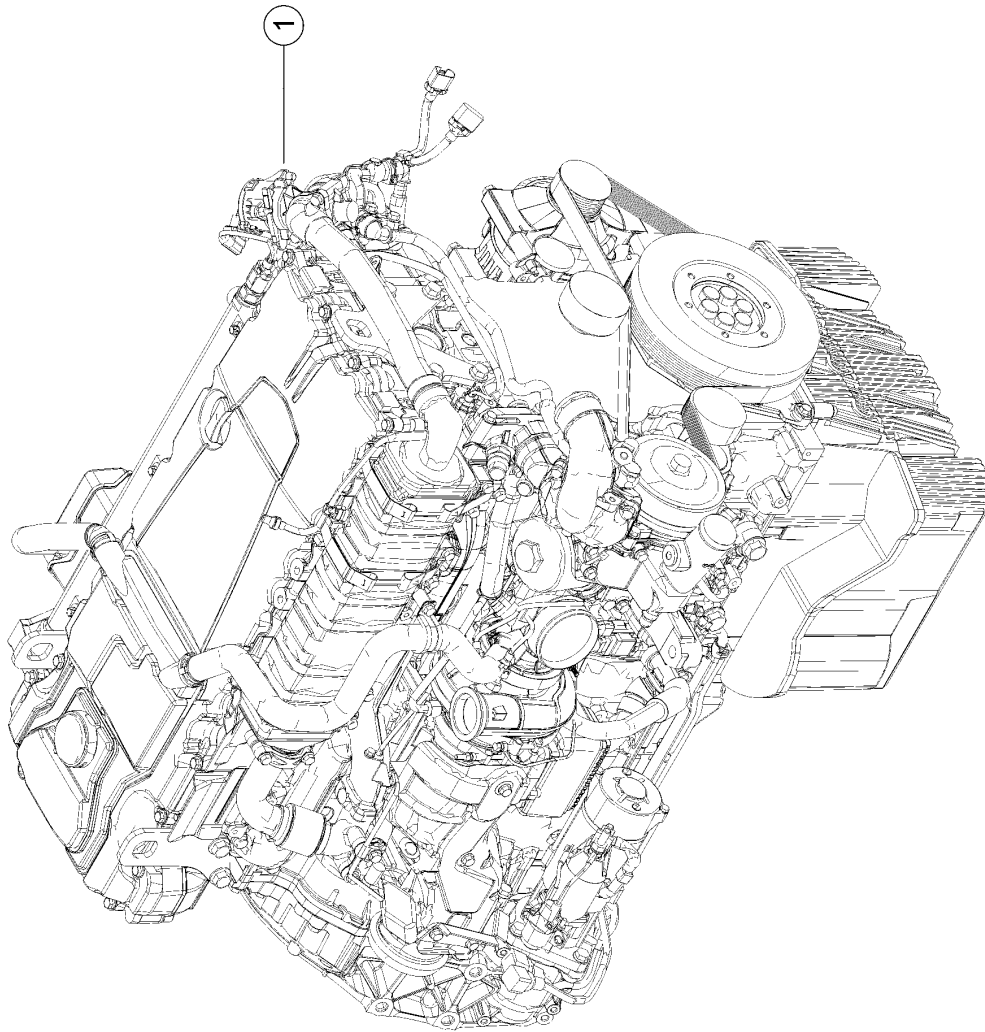
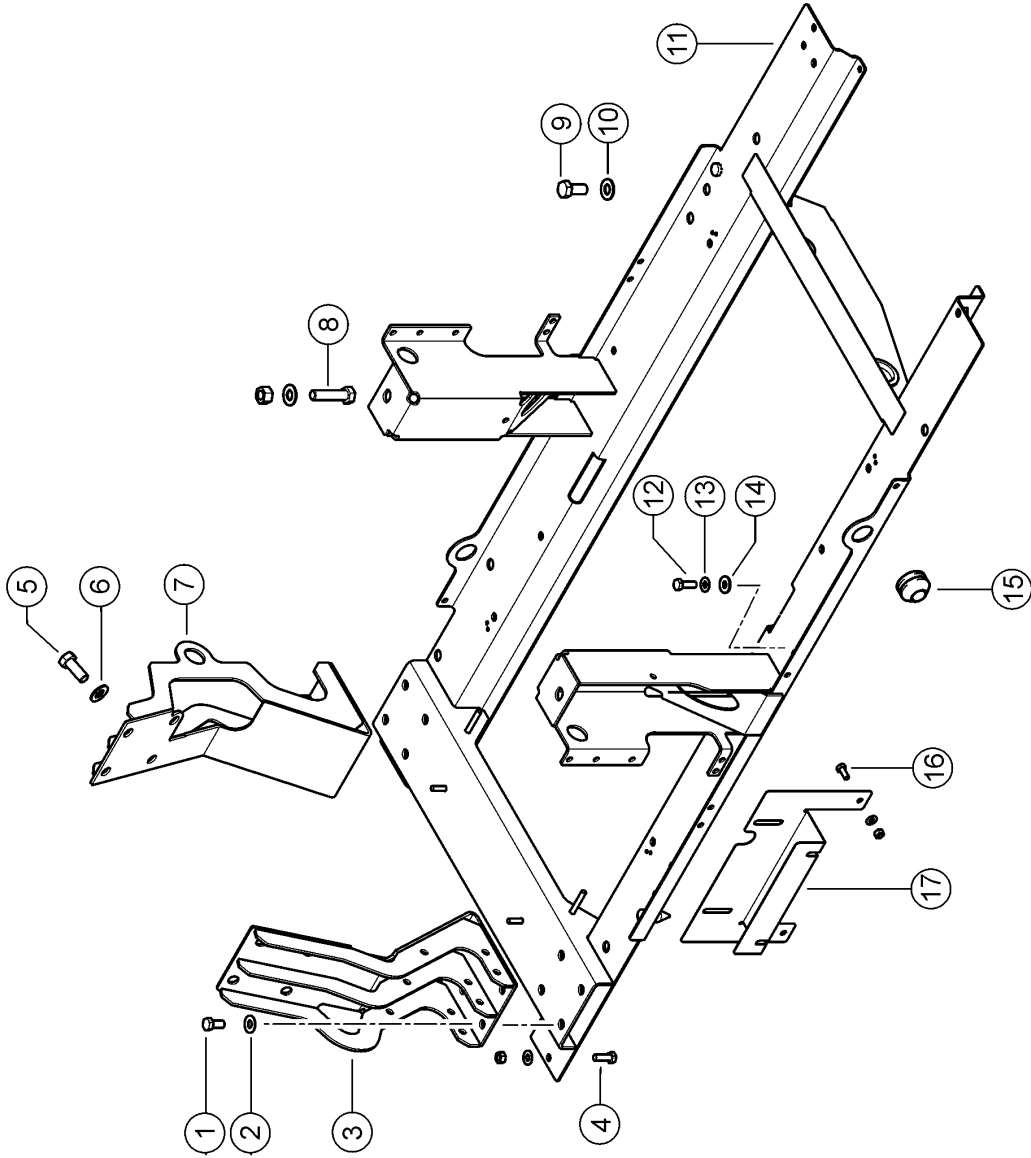


E0357 0102A010A 1



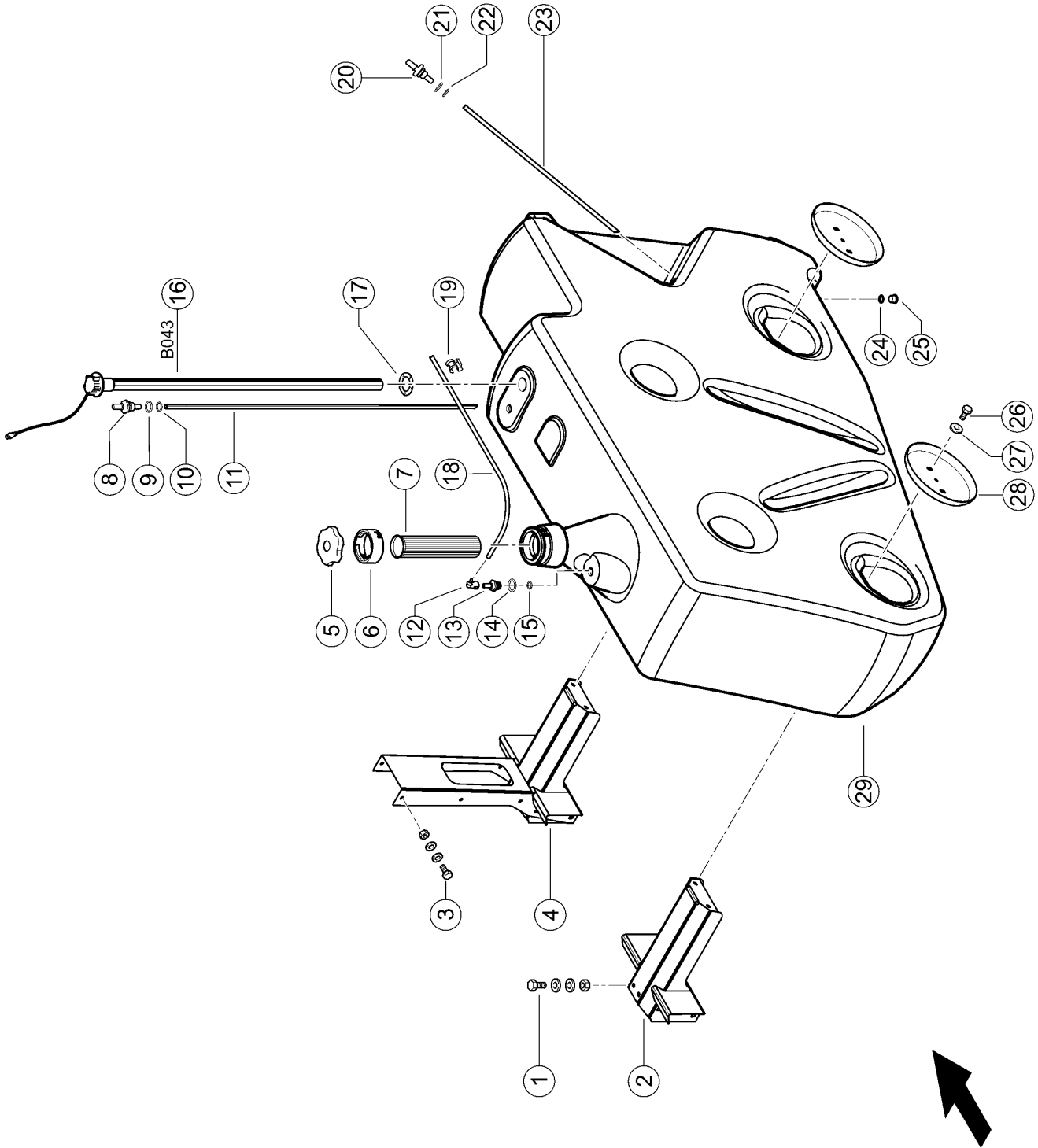
**010 COMPLETE ENGINE**

Pos.	Part No.	Description	Dimension	Quantity	Conditions
1	<b>00 0781 439 4</b>	ENGINE	OM936LA 210KW STAGE IV	1	1)
1	<b>00 1984 951 0</b>	ENGINE	REMAN OM 936 LA 210KW IV	1	2)
1	<b>00 0781 435 4</b>	ENGINE	OM936LA 210KW STAGE IV	1	3)
1	<b>00 1984 949 0</b>	ENGINE	REMAN OM 936 LA 210KW IV	1	4)
<b>1)</b>	<b>Equipment</b>	MD_P02_0782	Mercedes Benz OM936 LA - 210 kW/286 hp (T4)		
<b>2)</b>	<b>Equipment</b>	MD_P02_0782	Mercedes Benz OM936 LA - 210 kW/286 hp (T4)		
	<b>Remarks</b>		Exchange / Reman		
<b>3)</b>	<b>Equipment</b>	MD_P02_0783	Mercedes-Benz OM936 LA - 210 kW/286 hp (T4) with air compressor		
<b>4)</b>	<b>Equipment</b>	MD_P02_0783	Mercedes-Benz OM936 LA - 210 kW/286 hp (T4) with air compressor		
	<b>Remarks</b>		Exchange / Reman		



**100 ENGINE SUSPENSION**

Pos.	Part No.	Description	Dimension	Quantity	Conditions
1	<b>00 0236 056 0</b>	HEXAGON HEAD BOLT	M12X25	8	
2	<b>00 0239 389 0</b>	CONTACT WASHER	A12	8	
3	<b>00 0781 158 4</b>	SUPPORT	MTU OM936LA RE	1	
4	<b>00 0237 453 0</b>	HEXAGON HEAD BOLT	M10X30	1	
4	<b>00 0239 388 0</b>	CONTACT WASHER	A10-10,2X22,25X1,6	1	
4	<b>00 0236 171 0</b>	HEXAGONAL NUT	M10	1	
5	<b>00 0368 026 0</b>	HEX.HEAD BOLT	M16X40	8	
6	<b>00 0239 391 0</b>	CONTACT WASHER	A16	8	
7	<b>00 0781 155 3</b>	SUPPORT	MTU TIER4F OM936LA1 LI		
8	<b>00 0233 095 0</b>	HEXAGON HEAD BOLT	M16X65	2	
8	<b>00 0239 391 0</b>	CONTACT WASHER	A16	2	
8	<b>00 0236 173 0</b>	HEXAGONAL NUT	M16	4	
9	<b>00 0236 230 0</b>	HEXAGON HEAD BOLT	M16X35	5	
10	<b>00 0239 391 0</b>	CONTACT WASHER	A16	5	
11	<b>00 0773 788 4</b>	ENGINE MOUNTING		1	
12	<b>00 0237 453 0</b>	HEXAGON HEAD BOLT	M10X30	2	
13	<b>00 0239 388 0</b>	CONTACT WASHER	A10-10,2X22,25X1,6	2	
14	<b>00 0234 326 0</b>	WASHER	11X26X3	2	
15	<b>00 0734 779 0</b>	CABLE RING	C 20-35X50X2	1	
16	<b>00 0236 200 0</b>	HEXAGON HEAD BOLT	M8X20	2	
16	<b>00 0239 387 0</b>	CONTACT WASHER	A8-8,2X18X1,4	2	
16	<b>00 0236 170 0</b>	HEXAGONAL NUT	M8	2	
17	<b>00 0781 297 3</b>	SUPPORT	2X207X376,2	1	



**100 FUEL TANK 1)**

Pos.	Part No.	Description	Dimension	Quantity	Conditions
1	<b>00 0237 461 0</b>	HEXAGON HEAD BOLT	M12X30	12	
1	<b>00 0239 389 0</b>	CONTACT WASHER	A12	24	
1	<b>00 0236 172 0</b>	HEXAGONAL NUT	M12	12	
2	<b>00 0548 203 0</b>	MOUNT		1	2)
3	<b>00 0237 382 0</b>	HEXAGON HEAD BOLT	M10X20	6	
3	<b>00 0239 388 0</b>	CONTACT WASHER	A10-10,2X22,25X1,6	12	
3	<b>00 0236 171 0</b>	HEXAGONAL NUT	M10	6	
4	<b>00 0548 204 0</b>	MOUNT		1	3)
5	<b>00 0034 018 0</b>	CAP		1	
5	<b>00 0581 279 0</b>	CAP	ABSCHLIESSBAR	1	4)
6	<b>00 0038 915 0</b>	SOCKET	SV 80 B/40	1	
7	<b>00 0736 238 0</b>	TANK FILTER		1	
8	<b>00 0783 649 2</b>	ADAPTER		1	5)
9	<b>00 0217 460 0</b>	O-RING	18,64X3,53 -N	1	
10	<b>00 0218 694 0</b>	O-RING	18 X3 -N	1	
11	<b>00 0550 430 1</b>	RETURN PIPE		1	6)
12	<b>00 0217 501 0</b>	CONNECTOR	NQS 1/2" - 6 X 90 GRAD	1	
13	<b>00 0794 417 2</b>	VENTILATION		1	7)
14	<b>00 0217 460 0</b>	O-RING	18,64X3,53 -N	1	
15	<b>00 0218 694 0</b>	O-RING	18 X3 -N	1	
16	<b>00 1811 920 0</b>	LEVEL INDICATOR	L=1020MM	1	8)
17	<b>00 0794 993 0</b>	GASKET	VORRATSGEBER	1	
18	<b>00 0459 454 0</b>	PVC-HOSE	6 X 1,5	1	9)
19	<b>00 0458 125 0</b>	CLAMP	D8-D10	3	
20	<b>00 0783 649 2</b>	ADAPTER		1	10)
21	<b>00 0217 460 0</b>	O-RING	18,64X3,53 -N	1	
22	<b>00 0218 694 0</b>	O-RING	18 X3 -N	1	
23	<b>00 0550 428 1</b>	SUCTION PIPE		1	11)
24	<b>00 0218 694 0</b>	O-RING	18 X3 -N	1	
25	<b>00 0550 068 0</b>	SCREW PLUG		1	12)
26	<b>00 0237 382 0</b>	HEXAGON HEAD BOLT	M10X20	4	
27	<b>00 0239 394 1</b>	CONTACT WASHER	B10	4	
28	<b>00 0548 224 1</b>	WASHER		2	
29	<b>00 2312 750 0</b>	FUEL TANK		1	13)

**1) Equipment**

MD\_P14\_0050

Fuel tank 500 litres

**2) Remarks**

to the rear

**3) Remarks**

front

**4) Remarks**

As per requirement.

**5) Remarks**

with Item 9

**6) Remarks**

with Item 8 - 10

**7) Remarks**

with Item 14

**8) CCN**

CCN-B043

fuel level sensor

**9) Remarks**

2300 mm long

**10) Remarks**

with Item 21

**11) Remarks**

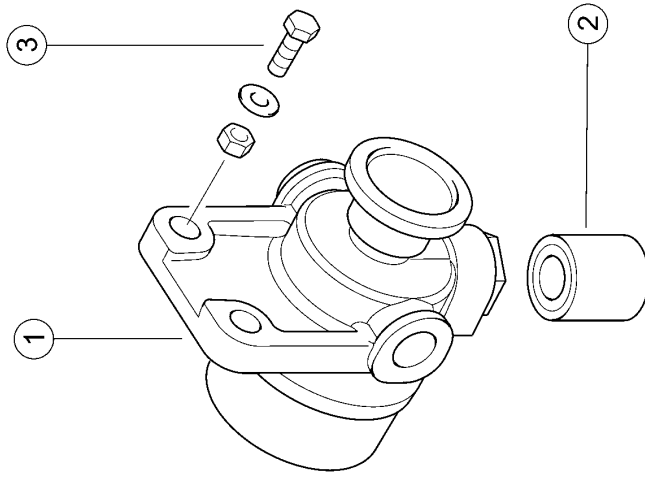
with Item 20 - 22

**12) Remarks**

with Item 24

**13) Remarks**

with Item 5-17,20-25



**120 FUEL DELIVERY PUMP 1)**

Pos.	Part No.	Description	Dimension	Quantity	Conditions
1	<b>00 0068 665 0</b>	HAND PUMP	H11K06 M16X1,5	1	2)
1	<b>00 0077 447 0</b>	INSPECTION GLASS		1	
1	<b>00 0077 446 0</b>	SEALING RING	F. H11 K02	1	
2	<b>00 0077 445 0</b>	FILTER ELEMENT		1	
3	<b>00 0237 442 0</b>	HEXAGON HEAD BOLT	M8X25	2	
3	<b>00 0239 387 0</b>	CONTACT WASHER	A8-8,2X18X1,4	2	
3	<b>00 0236 170 0</b>	HEXAGONAL NUT	M8	2	

**1) Equipment**

MD\_P02\_0782

Mercedes Benz OM936 LA - 210 kW/286 hp (T4)

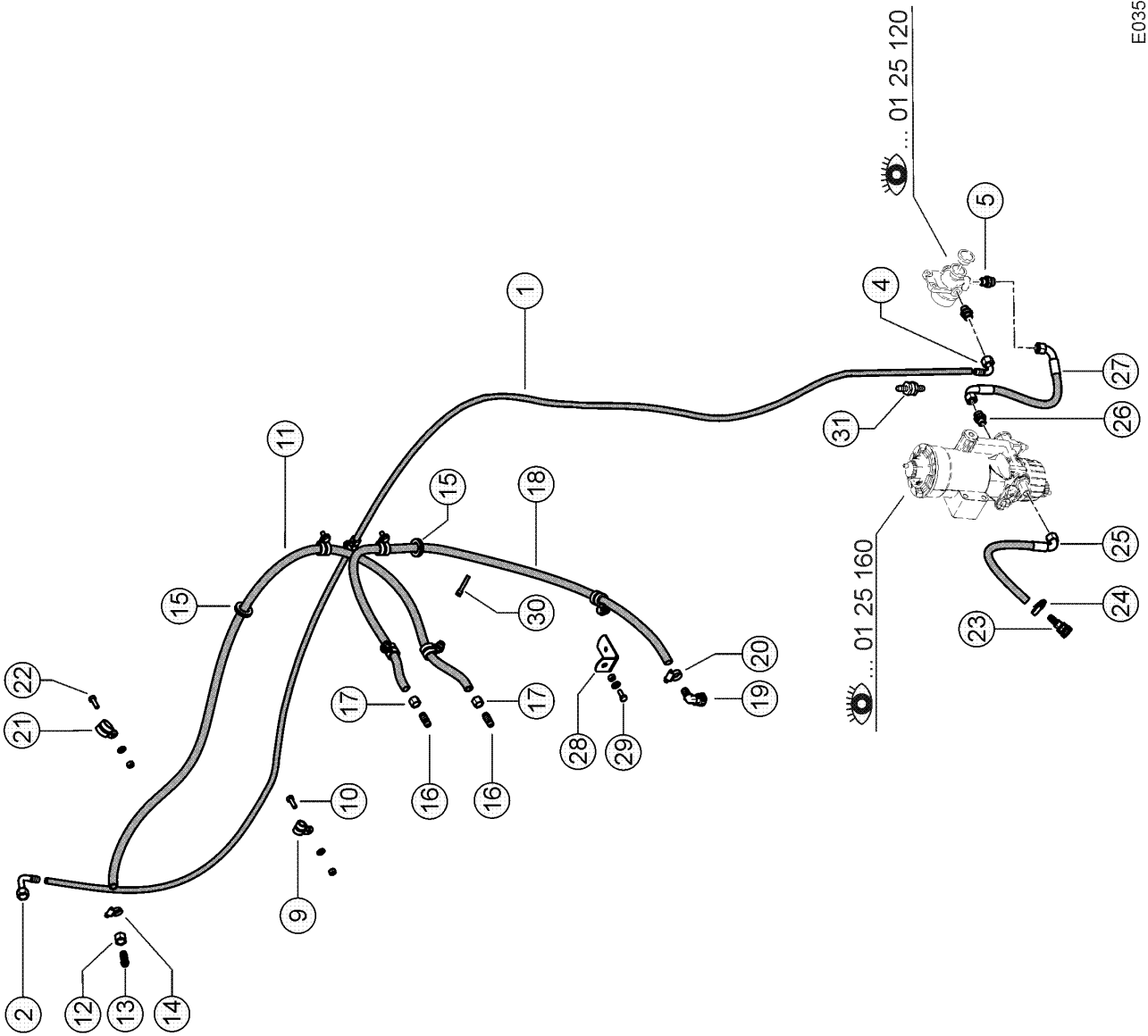
MD\_P02\_0783

Mercedes-Benz OM936 LA - 210 kW/286 hp (T4) with air compressor

**2) Remarks**

with Item 2





**140 FUEL PIPES 1)**

Pos.	Part No.	Description	Dimension	Quantity	Conditions
1	<b>00 2598 000 1</b>	FUEL PIPE	VORFILTER-MOTOR	1	2)
1	<b>00 0773 603 2</b>	FUEL PIPE	DC	1	3)
2	<b>00 0068 687 1</b>	CONNECTION	HANDPUMPE-MOTOR M18X1,5-10/100GRAD 1 KRAFT	1	
4	<b>00 0142 279 0</b>	TUBE NIPPLE	DN10 - N90 L12 (M18X1,5)	1	
5	<b>00 0216 097 0</b>	STRAIGHT MALE CONNECTOR	SDS-L12XM16X1, 5-TYPE E	2	
9	<b>00 0216 341 0</b>	HOLDER CLAMP	D1-12X20	6	
10	<b>00 0236 200 0</b>	HEXAGON HEAD BOLT	M8X20	6	
10	<b>00 0239 387 0</b>	CONTACT WASHER	A8-8,2X18X1,4	6	
10	<b>00 0236 170 0</b>	HEXAGONAL NUT	M8	6	
11	<b>00 0773 889 3</b>	FUEL PIPE	MOTOR - KUEHLER	1	4)
12	<b>00 0216 364 0</b>	UNION NUT	BLL12	1	
13	<b>00 0068 688 1</b>	CONNECTION	M18X1,5-10	1	
14	<b>00 0408 552 2</b>	HOSE CLAMP	A-12-22X9	1	
15	<b>00 0215 409 0</b>	GROMMET	C 10-18X30X1,5	2	
16	<b>00 0215 167 0</b>	CONNECTION	D16X1,5-10	2	
17	<b>00 0216 006 0</b>	UNION NUT	BLL10	2	
18	<b>00 0773 257 3</b>	FUEL PIPE	KUEHLER-TANK	1	5)
19	<b>00 0530 176 0</b>	CONNECTION	NQ-S-NW 1/2-08-90GRAD	1	
20	<b>00 0408 552 2</b>	HOSE CLAMP	A-12-22X9	1	
21	<b>00 0216 156 0</b>	PIPE CLAMP	D1-19X20	6	
22	<b>00 0236 200 0</b>	HEXAGON HEAD BOLT	M8X20	6	
22	<b>00 0239 387 0</b>	CONTACT WASHER	A8-8,2X18X1,4	6	
22	<b>00 0236 170 0</b>	HEXAGONAL NUT	M8	6	
23	<b>00 0798 609 0</b>	CONNECTOR	NORMAQUICK S NW 1/2"-10-	1	
24	<b>00 0408 552 2</b>	HOSE CLAMP	A-12-22X9	1	
25	<b>00 0773 601 2</b>	FUEL PIPE	TANK-FILTER	1	6)
26	<b>00 0215 799 0</b>	SCREW-IN FITTING	SDS-L12XG3/8A-TYPE 1 E	1	
27	<b>00 0773 602 1</b>	FUEL PIPE	FILTER-HANDPUMPE	1	
28	<b>00 0077 377 0</b>	SUPPORT	3X30X98	1	
29	<b>00 0236 200 0</b>	HEXAGON HEAD BOLT	M8X20	1	
29	<b>00 0239 387 0</b>	CONTACT WASHER	A8-8,2X18X1,4	1	
29	<b>00 0236 170 0</b>	HEXAGONAL NUT	M8	1	
30	<b>00 0237 871 0</b>	CABLE TIE	4,8X188X1,3	2	
31	<b>00 0773 855 0</b>	NON-RETURN VALVE	NW 10	1	7)

**1) Equipment**MD\_P02\_0782  
MD\_P02\_0783Mercedes Benz OM936 LA - 210 kW/286 hp (T4)  
Mercedes-Benz OM936 LA - 210 kW/286 hp (T4) with air compressor**2) machine no.**+ from C0100062  
with Item 2 - 4, 31**3) machine no.**+ up to C0100061  
with Item 2 - 4**4) Remarks**

with Item 12-17

**5) Remarks**

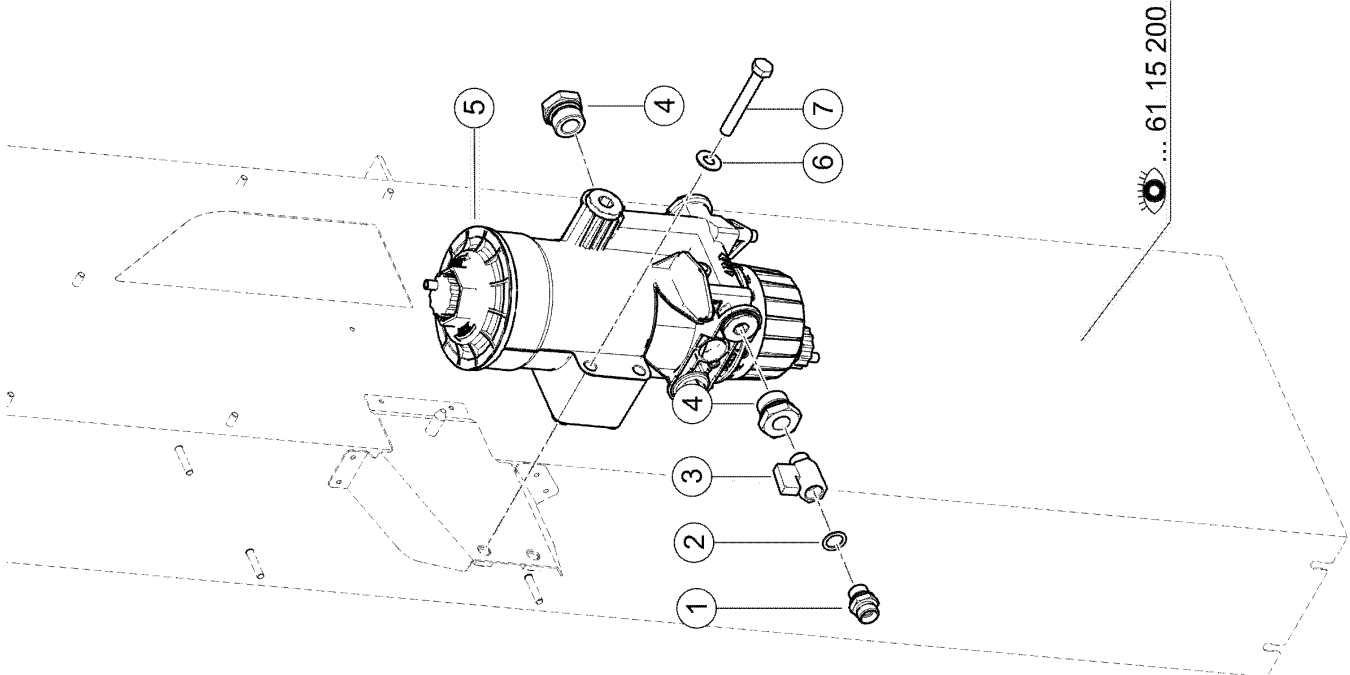
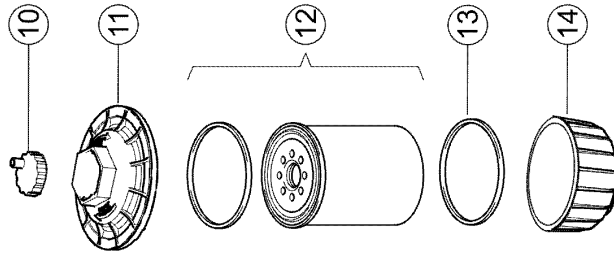
with Item 15-17,19,20

**6) Remarks**

with Item 23, 24

**7) machine no.**

+ from C0100062



**160 FUEL FILTER 1)**

Pos.	Part No.	Description	Dimension	Quantity	Conditions
1	<b>00 0215 799 0</b>	SCREW-IN FITTING	SDS-L12XG3/8A-TYPE E	1	
2	<b>00 0235 786 0</b>	SEALING RING	A16 X22	1	
3	<b>00 0783 652 0</b>	BALL-TYPE TAP	DN8-I-G3/8XA-G3/8	1	
4	<b>00 0773 669 0</b>	REDUCING ADAPTER	I-B-G3/8 - A-F-M27X2	2	
5	<b>00 0781 148 3</b>	FUEL PRE-FILTER		1	2)
6	<b>00 0239 388 0</b>	CONTACT WASHER	A10-10,2X22,25X1,6	2	
7	<b>00 0235 540 0</b>	HEXAGON HEAD BOLT	M10X80	2	
10	<b>00 2402 502 0</b>	DRAIN SCREW		3	
11	<b>00 2402 503 0</b>	HOUSING COVER		1	
12	<b>00 0781 149 1</b>	FILTER ELEMENT		1	3)
13	<b>00 2744 191 0</b>	O-RING	90X4 /-K7-E (HNBR 68)	1	
14	<b>00 2659 509 0</b>	WATER CONTAINER	INCL. O-RING (ET)	1	

**1) Equipment**MD\_P02\_0782  
MD\_P02\_0783Mercedes Benz OM936 LA - 210 kW/286 hp (T4)  
Mercedes-Benz OM936 LA - 210 kW/286 hp (T4) with air compressor**2) Remarks**

with Item 10-14

**3) Remarks**

w/o by-pass valve

Thank you so much for reading.  
Please click the “Buy Now!”  
button below to download the  
complete manual.



After you pay.

You can download the most  
perfect and complete manual in  
the world immediately.

Our support email:

[ebooklibonline@outlook.com](mailto:ebooklibonline@outlook.com)