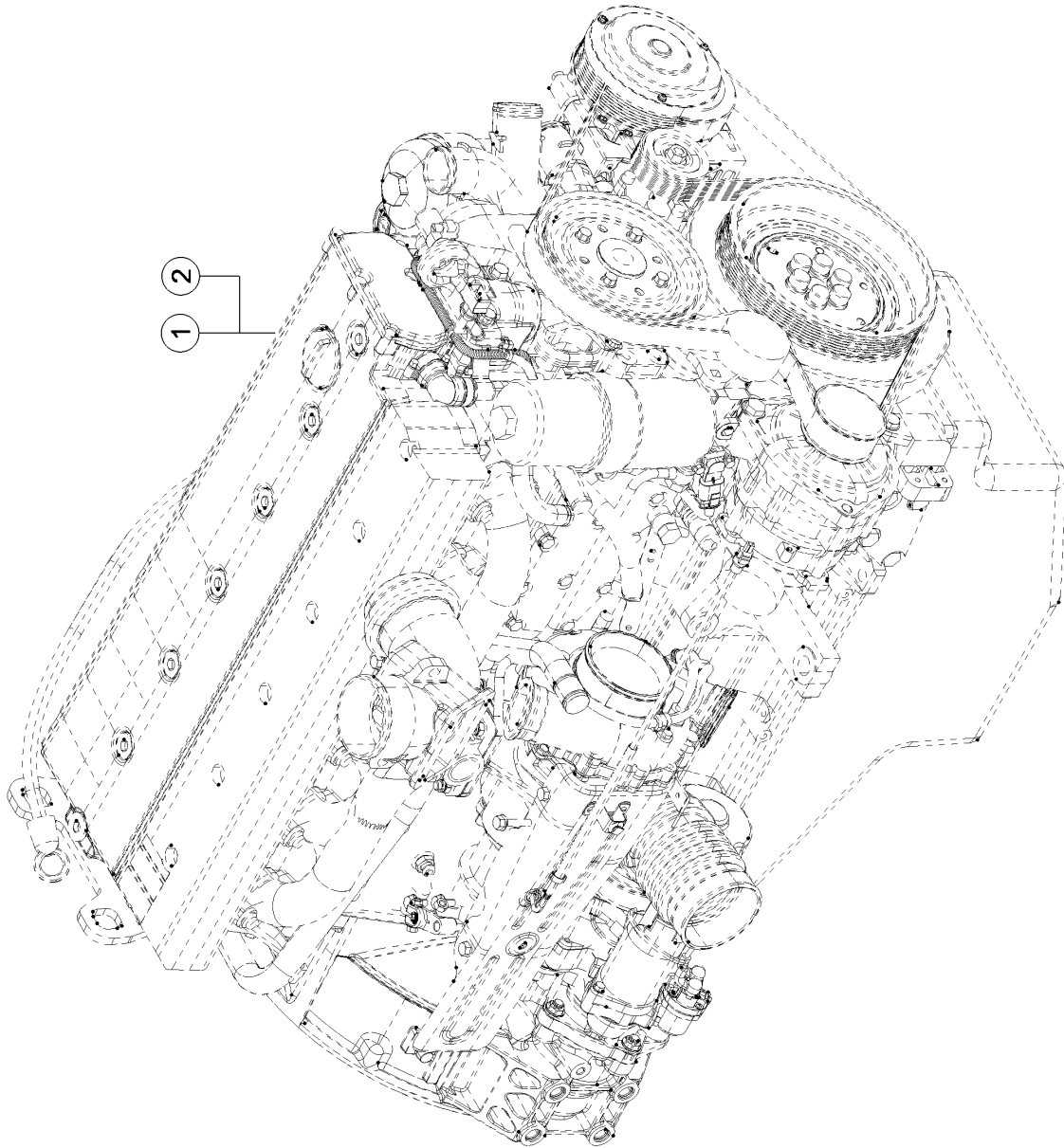


E0106 0102A010A 1



010 COMPLETE ENGINE

Pos.	Part No.	Description	Dimension	Quantity	Conditions
1	00 0530 189 1	ENGINE	OM 906 LA T2 K - 205KW	1	1)
1	00 0799 191 2	ENGINE	205KW T2	1	2)
1	00 0799 904 0	ENGINE	OM 906 LA 205KW SE	1	3)
1	00 0799 905 0	ENGINE	OM 906 LA 205KW SE	1	4)
1	00 0799 857 2	ENGINE	OM 926 LA 210 KW TIER 4I	1	5)
1	00 0791 590 0	ENGINE	OM 926 LA 220KW SE	1	6)
1	00 0791 591 0	ENGINE	OM 926 LA 220KW SE	1	7)
1	00 0799 858 2	ENGINE	OM 926 LA 225 KW TIER 4I	1	8)
1	00 0530 179 1	ENGINE	OM 906 LA - 205KW	1	9)
1	00 0798 542 2	ENGINE	OM 906 LA - 205KW	1	10)
1	00 0530 184 1	ENGINE	OM 906 LA - 205KW	1	11)
1	00 0798 557 2	ENGINE	OM 906 LA - 205KW	1	12)
1	00 0530 180 1	ENGINE	OM 926 LA - 220KW	1	13)
1	00 0798 543 2	ENGINE	OM 926 LA - 220KW	1	14)
1	00 0530 185 1	ENGINE	OM 926 LA - 220KW	1	15)
1	00 0798 558 2	ENGINE	OM 926 LA - 220KW_T3	1	16)
1	00 0781 889 0	ENGINE	OM 926 LA 210 KW STAGE I	1	17)
1	00 0781 890 0	ENGINE	OM 926 LA 225 KW STAGE I	1	18)
1	00 2599 296 0	ENGINE	OM926LA 225KW STAGE IIIB	1	19)
1	00 2599 295 0	ENGINE	OM926LA 210KW STAGE IIIB	1	20)
1	00 2599 296 0	ENGINE	OM926LA 225KW STAGE IIIB	1	21)
2	00 1992 169 0	ENGINE	REMAN OM 906 LA 205KW	1	22)
2	00 1992 170 0	ENGINE	REMAN OM 926 LA 220KW T3	1	23)
2	00 1992 170 0	ENGINE	REMAN OM 926 LA 220KW T3	1	24)
2	00 1992 165 0	ENGINE	REMAN OM 906 LA 205KW	1	25)
2	00 1992 165 0	ENGINE	REMAN OM 906 LA 205KW	1	26)
2	00 1992 158 0	ENGINE	REMAN OM 926 LA 220KW_T3	1	27)
2	00 1992 158 0	ENGINE	REMAN OM 926 LA 220KW_T3	1	28)

1) Equipment

machine no.

MD_P02_0374

Engine OM906 K EEC 205/ ECE 191N-EU (compressor)
+ from 83901638 up to 83999999
+ from C3200771 up to C3299999

2) Equipment

machine no.

MD_P02_0374

Engine OM906 K EEC 205/ ECE 191N-EU (compressor)
+ from 83900011 up to 83901637
+ from C3200011 up to C3200770

3) Equipment

MD_P02_0720

Mercedes OM906LA engine (EWG205kW) without air compressor

4) Equipment

MD_P02_0721

Mercedes OM906LA engine (EWG205kW) with air compressor system

5) Equipment

machine no.

MD_P02_0724

OM926 K ECE R120 210kW T4i
+ from 83900011 up to 83902521

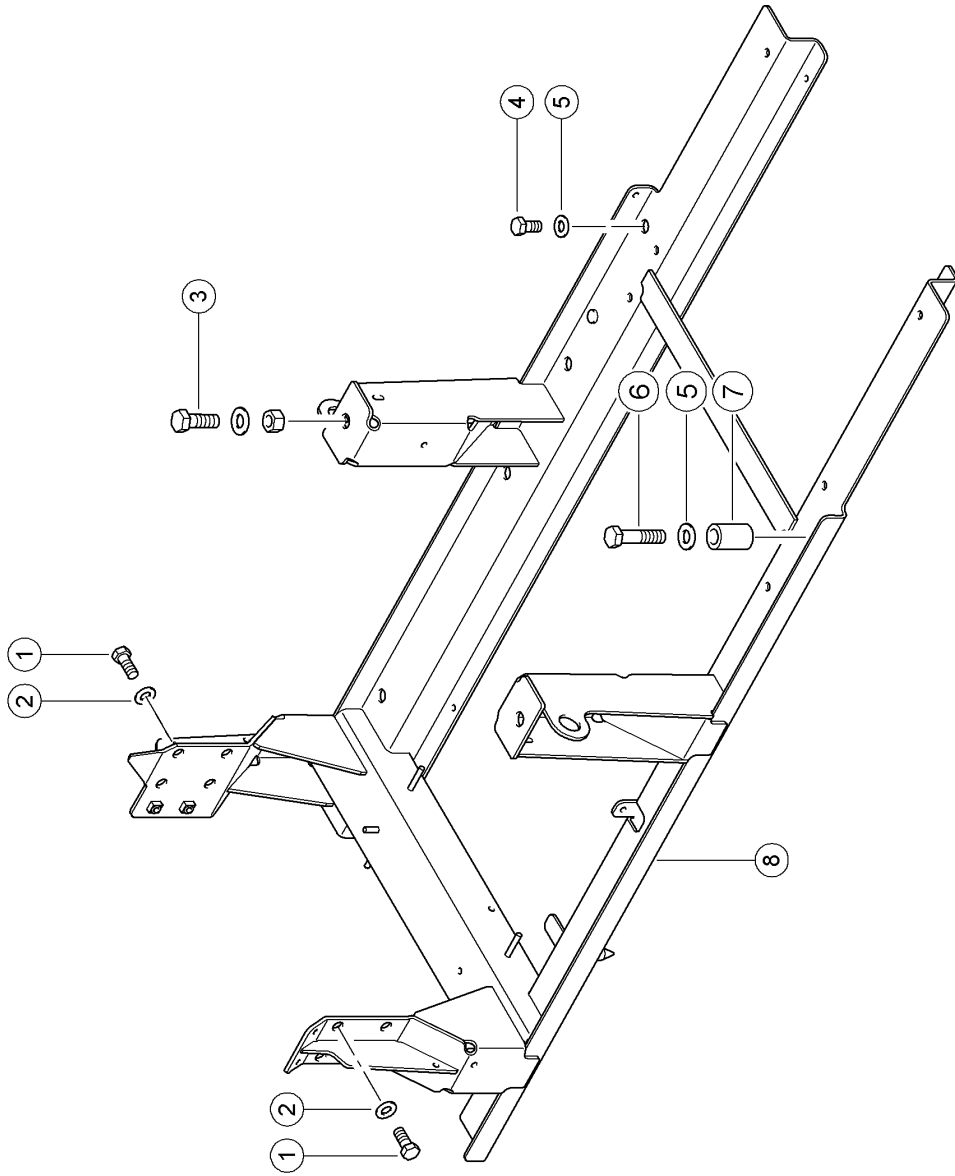
010 COMPLETE ENGINE

5)		+ from C3200011 up to C3201516
6) Equipment	MD_P02_0730	Mercedes OM926LA engine (EWG220kW) without air compressor
7) Equipment	MD_P02_0731	Mercedes Benz OM926LA 220 kW/299 hp with air compressor
8) Equipment machine no.	MD_P02_0734	Mercedes Benz OM926 LA - 225 kW/306 hp (T4i) with air compressor + from 83900011 up to 83902521 + from C3200011 up to C3201516
9) Equipment machine no.	MD_P02_1720	Mercedes-Benz OM 906 LA 205 kW/279 hp (ECE R 120) + from 83901638 up to 83999999 + from C3200771 up to C3299999
10) Equipment machine no.	MD_P02_1720	Mercedes-Benz OM 906 LA 205 kW/279 hp (ECE R 120) + from 83900011 up to 83901637 + from C3200011 up to C3200770
11) Equipment machine no.	MD_P02_1721	Mercedes Benz OM 906 LA 205 kW/279 hp (ECE R 120) with air compr + from 83901638 up to 83999999 + from C3200771 up to C3299999
12) Equipment machine no.	MD_P02_1721	Mercedes Benz OM 906 LA 205 kW/279 hp (ECE R 120) with air compr + from 83900011 up to 83901637 + from C3200011 up to C3200770
13) Equipment machine no.	MD_P02_1730	Mercedes Benz OM 926 LA 220 kW/299 hp (ECE R 120) + from 83901638 up to 83999999 + from C3200771 up to C3299999
14) Equipment machine no.	MD_P02_1730	Mercedes Benz OM 926 LA 220 kW/299 hp (ECE R 120) + from 83900011 up to 83901637 + from C3200011 up to C3200770
15) Equipment machine no.	MD_P02_1731	Mercedes Benz OM 926 LA 220 kW/299 hp (ECE R 120) with air comp. + from 83901638 up to 83999999 + from C3200771 up to C3299999
16) Equipment machine no.	MD_P02_1731	Mercedes Benz OM 926 LA 220 kW/299 hp (ECE R 120) with air comp. + from 83900011 up to 83901637 + from C3200011 up to C3200770
17) Equipment machine no.	MD_P02_0724	OM926 K ECE R120 210kW T4i + from 83902522 up to 83902812 + from C3201517 up to C3201578
18) Equipment machine no.	MD_P02_0734	Mercedes Benz OM926 LA - 225 kW/306 hp (T4i) with air compressor + from 83902522 up to 83902703 + from C3201517 up to C3201548
19) Equipment machine no.	MD_P02_0734	Mercedes Benz OM926 LA - 225 kW/306 hp (T4i) with air compressor + from 83902704 up to 83902873 + from C3201549 up to C3201578
20) Equipment machine no.	MD_P02_0724	OM926 K ECE R120 210kW T4i + from 83902813 up to 83999999 + from C3201579 up to C3299999

010 COMPLETE ENGINE

21) Equipment		
machine no.	MD_P02_0734	Mercedes Benz OM926 LA - 225 kW/306 hp (T4i) with air compressor + from 83902874 up to 83999999 + from C3201579 up to C3299999
22) Equipment		
machine no.	MD_P02_0374	Engine OM906 K EEC 205/ ECE 191N-EU (compressor) + from 83900011 up to 83901637 + from C3200011 up to C3200770 Exchange / Reman
23) Equipment		
Remarks	MD_P02_0730	Mercedes OM926LA engine (EWG220kW) without air compressor Exchange / Reman
24) Equipment		
Remarks	MD_P02_0731	Mercedes Benz OM926LA 220 kW/299 hp with air compressor Exchange / Reman
25) Equipment		
machine no.	MD_P02_1720	Mercedes-Benz OM 906 LA 205 kW/279 hp (ECE R 120) + from 83900011 up to 83901637 + from C3200011 up to C3200770 Exchange / Reman
26) Equipment		
machine no.	MD_P02_1721	Mercedes Benz OM 906 LA 205 kW/279 hp (ECE R 120) with air compr + from 83900011 up to 83901637 + from C3200011 up to C3200770 Exchange / Reman
27) Equipment		
machine no.	MD_P02_1730	Mercedes Benz OM 926 LA 220 kW/299 hp (ECE R 120) + from 83900011 up to 83901637 + from C3200011 up to C3200770 Exchange / Reman
28) Equipment		
machine no.	MD_P02_1731	Mercedes Benz OM 926 LA 220 kW/299 hp (ECE R 120) with air comp. + from 83900011 up to 83901637 + from C3200011 up to C3200770 Exchange / Reman

E0106 0105A100A 1



100 ENGINE SUSPENSION 1)

Pos.	Part No.	Description	Dimension	Quantity	Conditions
1	00 0368 026 0	HEX.HEAD BOLT	M16X40	8	
2	00 0239 391 0	CONTACT WASHER	A16	16	
3	00 0237 591 0	HEX.HEAD BOLT	M20X60	2	
3	00 0237 521 0	HEX.NUT	M20	2	
3	00 0212 191 0	CONTACT WASHER	A20	2	
4	00 0236 230 0	HEXAGON HEAD BOLT	M16X35	8	
5	00 0239 391 0	CONTACT WASHER	A16	8	
6	00 0235 593 0	HEXAGON HEAD BOLT	M16X90	1	2)
7	00 0796 273 0	BUSHING	D32/D18X50	1	2)
8	00 0780 070 3	ENGINE MOUNTING		1	3)
8	00 0798 500 3	ENGINE MOUNTING		1	4)

1) Equipment

MD_P02_0374	Engine OM906 K EEC 205/ ECE 191N-EU (compressor)
MD_P02_0720	Mercedes OM906LA engine (EWG205kW) without air compressor
MD_P02_0721	Mercedes OM906LA engine (EWG205kW) with air compressor system
MD_P02_0724	OM926 K ECE R120 210kW T4i
MD_P02_0730	Mercedes OM926LA engine (EWG220kW) without air compressor
MD_P02_0731	Mercedes Benz OM926LA 220 kW/299 hp with air compressor
MD_P02_0734	Mercedes Benz OM926 LA - 225 kW/306 hp (T4i) with air compressor
MD_P02_1720	Mercedes-Benz OM 906 LA 205 kW/279 hp (ECE R 120)
MD_P02_1721	Mercedes Benz OM 906 LA 205 kW/279 hp (ECE R 120) with air compr

2) machine no.

+ from 83900011 up to 83902226
+ from C3200011 up to C3201214

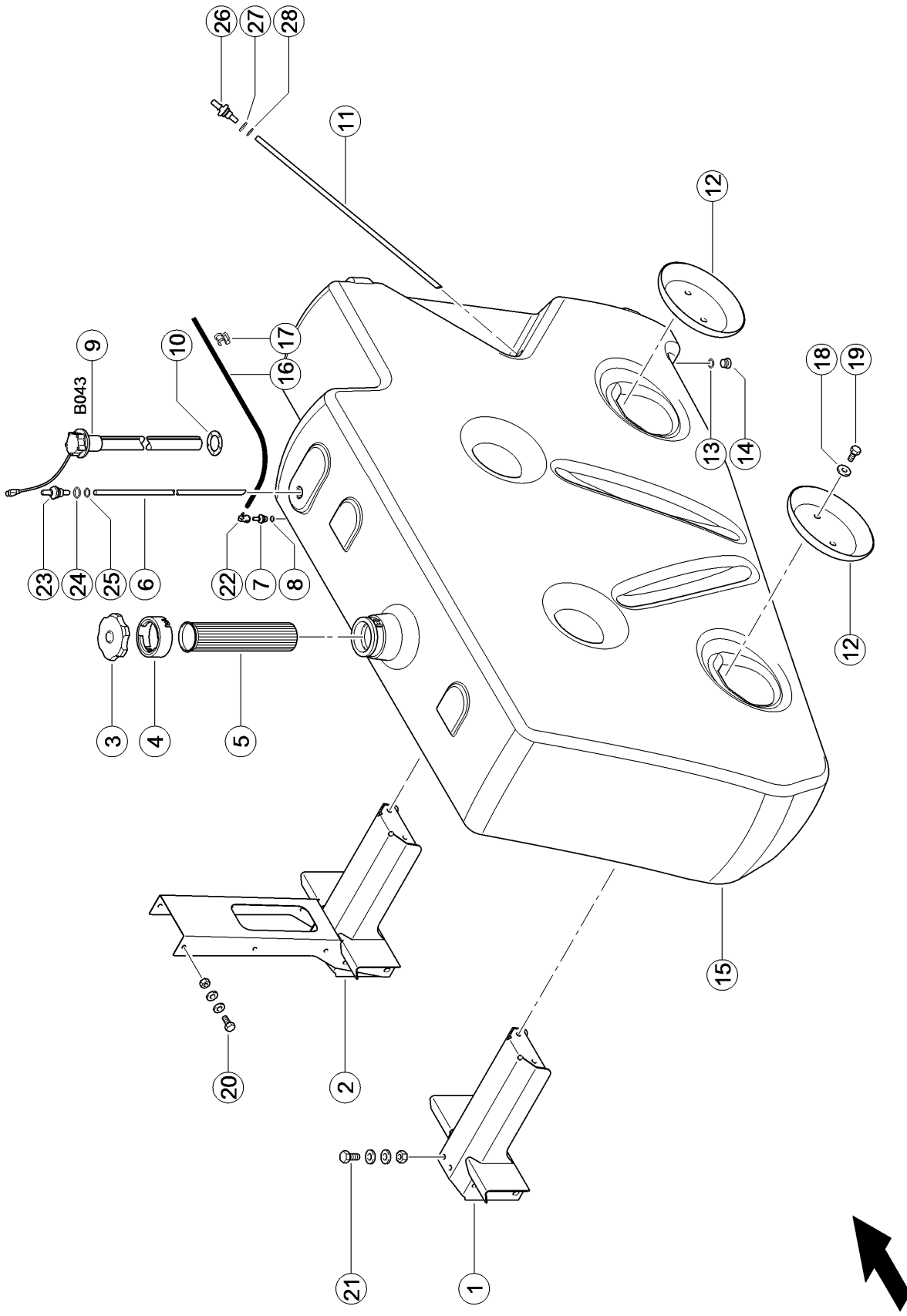
3) Equipment

MD_P02_0374	Engine OM906 K EEC 205/ ECE 191N-EU (compressor)
MD_P02_0720	Mercedes OM906LA engine (EWG205kW) without air compressor
MD_P02_0721	Mercedes OM906LA engine (EWG205kW) with air compressor system
MD_P02_0724	OM926 K ECE R120 210kW T4i
MD_P02_0730	Mercedes OM926LA engine (EWG220kW) without air compressor
MD_P02_0731	Mercedes Benz OM926LA 220 kW/299 hp with air compressor
MD_P02_0734	Mercedes Benz OM926 LA - 225 kW/306 hp (T4i) with air compressor
MD_P02_1720	Mercedes-Benz OM 906 LA 205 kW/279 hp (ECE R 120)
MD_P02_1721	Mercedes Benz OM 906 LA 205 kW/279 hp (ECE R 120) with air compr

4) Equipment

MD_P02_0374	Engine OM906 K EEC 205/ ECE 191N-EU (compressor)
MD_P02_0720	Mercedes OM906LA engine (EWG205kW) without air compressor
MD_P02_0721	Mercedes OM906LA engine (EWG205kW) with air compressor system
MD_P02_0730	Mercedes OM926LA engine (EWG220kW) without air compressor
MD_P02_0731	Mercedes Benz OM926LA 220 kW/299 hp with air compressor
MD_P02_1720	Mercedes-Benz OM 906 LA 205 kW/279 hp (ECE R 120)
MD_P02_1721	Mercedes Benz OM 906 LA 205 kW/279 hp (ECE R 120) with air compr
MD_P02_1730	Mercedes Benz OM 926 LA 220 kW/299 hp (ECE R 120)
MD_P02_1731	Mercedes Benz OM 926 LA 220 kW/299 hp (ECE R 120) with air comp.

machine no.



100 FUEL TANK 1)

Pos.	Part No.	Description	Dimension	Quantity	Conditions
1	00 0548 203 0	MOUNT		1	2)
2	00 0548 204 0	MOUNT		1	3)
3	00 0034 018 0	CAP		1	
3	00 0581 279 0	CAP	ABSCHLIESSBAR	1	4)
4	00 0038 915 0	SOCKET	SV 80 B/40	1	
5	00 0736 238 0	TANK FILTER		1	
6	00 0550 429 1	RETURN PIPE		1	5)
6	00 0550 065 1	RETURN PIPE		1	6)
7	00 0794 417 2	VENTILATION		1	7)
7	00 0794 995 0	BREATHER VALVE		1	8)
8	00 0211 091 2	O-RING	12 X 2 NBR 80	1	
9	00 0548 196 0	LEVEL INDICATOR	D65X1080	1	9)
9	00 0783 653 0	PT SCREW	6ST 4X40	1	
10	00 0794 993 0	GASKET	VORRATSGEBER	1	
11	00 0550 428 1	SUCTION PIPE		1	10)
11	00 0550 064 1	SUCTION PIPE		1	6)
12	00 0548 224 0	WASHER		2	
13	00 0218 694 0	O-RING	18 X3 -N	1	
14	00 0550 068 0	SCREW PLUG		1	
15	00 0550 419 0	FUEL TANK		1	7)
15	00 0548 091 0	FUEL TANK		1	11)
15	00 0548 211 0	FUEL TANK	1901X1500X406	1	12)
16	00 0459 454 0	PVC-HOSE	6 X 1,5	1	13)
16	00 0136 529 0	PVC-HOSE	4+0,1X6X10000	1	14)
17	00 0458 125 0	CLAMP	D8-D10	3	7)
17	00 0549 960 1	CABLE TERMINAL		3	6)
18	00 0239 394 1	CONTACT WASHER	B10	4	
19	00 0237 382 0	HEXAGON HEAD BOLT	M10X20	4	
20	00 0237 382 0	HEXAGON HEAD BOLT	M10X20	6	
20	00 0239 388 0	CONTACT WASHER	A10-10,2X22,25X1,6	12	
20	00 0236 171 0	HEXAGONAL NUT	M10	6	
21	00 0237 461 0	HEXAGON HEAD BOLT	M12X30	12	
21	00 0239 389 0	CONTACT WASHER	A12	24	
21	00 0236 172 0	HEXAGONAL NUT	M12	12	
22	00 0217 501 0	CONNECTOR	NQS 1/2" - 6 X 90 GRAD	1	7)
23	00 0783 649 1	ADAPTER		1	15)
24	00 0217 460 0	O-RING	18,64X3,53 -N	1	7)
25	00 0218 694 0	O-RING	18 X3 -N	1	7)
26	00 0783 649 1	ADAPTER		1	16)
27	00 0217 460 0	O-RING	18,64X3,53 -N	1	7)
28	00 0218 694 0	O-RING	18 X3 -N	1	7)

1) Equipment

MD_P14_0065

Fuel tank 650 litres

2) Remarks

to the rear

3) Remarks

front

4) Remarks

As per requirement.

5) machine no.

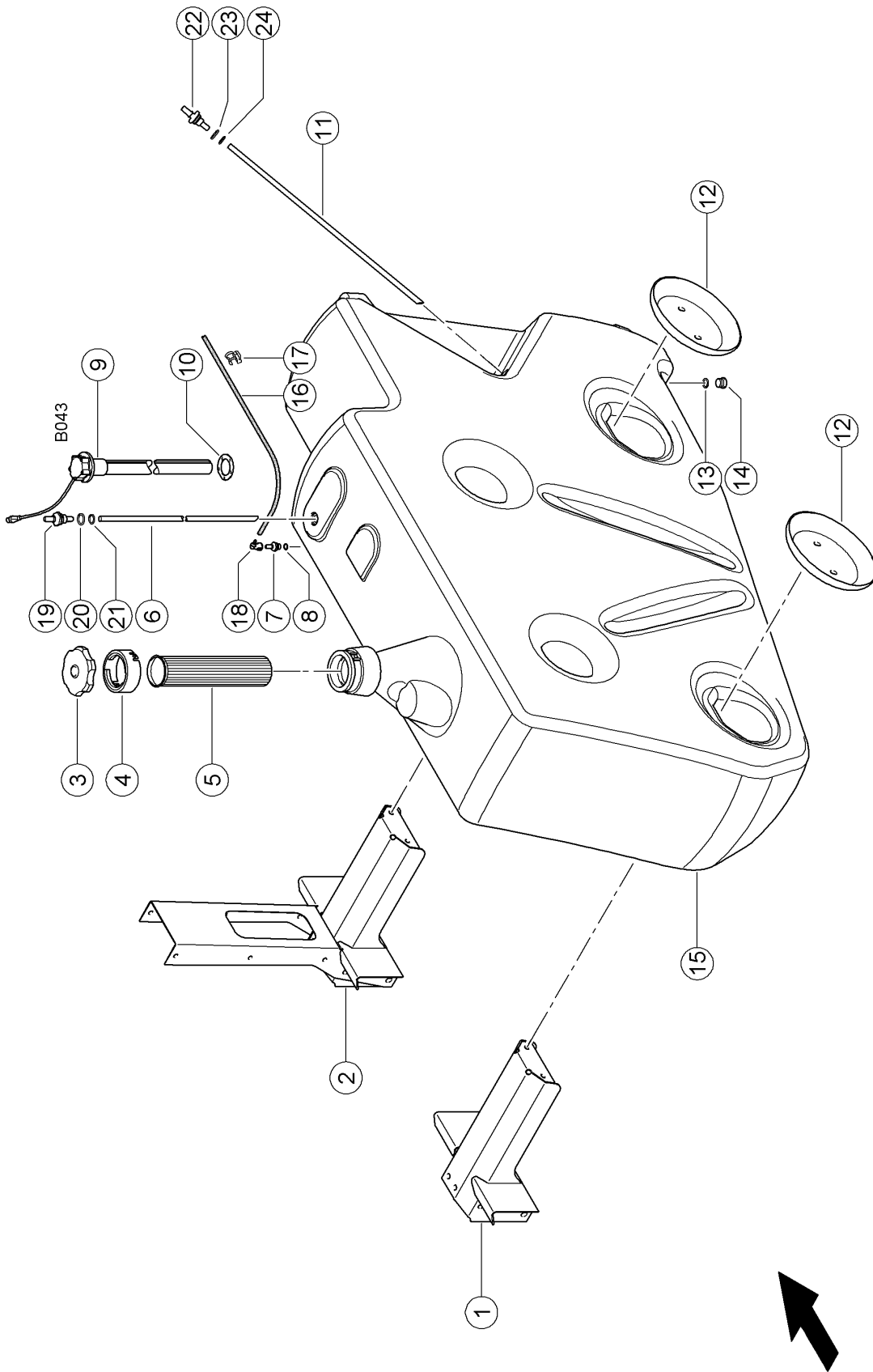
+ from 83901142 up to 83999999
+ from C3200541 up to C3299999
with Item 23, 24, 25

6) machine no.

+ from 83900011 up to 83901141
+ from C3200011 up to C3200540

100 FUEL TANK 1)

7) machine no.		+ from 83901142 up to 83999999 + from C3200541 up to C3299999
8) machine no.		+ from 83900011 up to 83901141 + from C3200011 up to C3200532
9) CCN	CCN-B043	fuel level sensor
10) machine no.		+ from 83901142 up to 83999999 + from C3200541 up to C3299999 with Item 26 - 28
11) machine no.		+ from 83900363 up to 83901141 + from C3200181 up to C3200540
12) machine no.		+ from 83900011 up to 83900362 + from C3200011 up to C3200180
13) machine no.		+ from 83901142 up to 83999999 + from C3200541 up to C3299999 2700 mm long
14) machine no.		+ from 83900011 up to 83901141 + from C3200011 up to C3200540 2700 mm long
15) machine no.		+ from 83901142 up to 83999999 + from C3200541 up to C3299999 with Item 24
16) machine no.		+ from 83901142 up to 83999999 + from C3200541 up to C3299999 with Item 27



E0106 0125A100B 1

100 FUEL TANK 1)

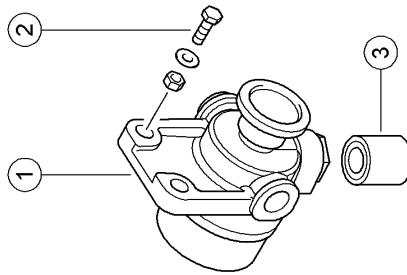
Pos.	Part No.	Description	Dimension	Quantity	Conditions
1	00 0548 203 0	MOUNT		1	2)
2	00 0548 204 0	MOUNT		1	3)
3	00 0034 018 0	CAP		1	
3	00 0581 279 0	CAP	ABSCHLIESSBAR	1	4)
4	00 0038 915 0	SOCKET	SV 80 B/40	1	
5	00 0736 238 0	TANK FILTER		1	
6	00 0550 430 1	RETURN PIPE		1	5)
6	00 0550 066 1	RETURN PIPE		1	6)
7	00 0794 417 2	VENTILATION		1	7)
7	00 0794 995 0	BREATHER VALVE		1	6)
8	00 0211 091 2	O-RING	12 X 2 NBR 80	1	
9	00 0549 761 0	LEVEL INDICATOR	1080MM, 500 LITER, NEUTRA	1	8)
9	00 0783 653 0	PT SCREW	6ST 4X40	1	
10	00 0794 993 0	GASKET	VORRATSGEBER	1	
11	00 0550 428 1	SUCTION PIPE		1	9)
11	00 0550 064 1	SUCTION PIPE		1	6)
12	00 0548 224 0	WASHER		2	
13	00 0218 694 0	O-RING	18 X3 -N	1	
14	00 0550 068 0	SCREW PLUG		1	
15	00 0550 426 0	FUEL TANK	500L	1	7)
15	00 0548 356 0	FUEL TANK		1	6)
16	00 0459 454 0	PVC-HOSE	6 X 1,5	1	10)
16	00 0136 529 0	PVC-HOSE	4+0,1X6X10000	1	11)
17	00 0458 125 0	CLAMP	D8-D10	3	12)
17	00 0549 960 1	CABLE TERMINAL		3	6)
18	00 0217 501 0	CONNECTOR	NQS 1/2" - 6 X 90 GRAD	1	7)
19	00 0783 649 1	ADAPTER		1	13)
20	00 0217 460 0	O-RING	18,64X3,53 -N	1	7)
21	00 0218 694 0	O-RING	18 X3 -N	1	7)
22	00 0783 649 1	ADAPTER		1	14)
23	00 0217 460 0	O-RING	18,64X3,53 -N	1	7)
24	00 0218 694 0	O-RING	18 X3 -N	1	7)

1) Equipment	MD_P14_0050	Fuel tank 500 litres
2) Remarks		to the rear
3) Remarks		front
4) Remarks		As per requirement.
5) machine no.		+ from 83901142 up to 83999999 + from C3200541 up to C3299999 with Item 19 - 21
6) machine no.		+ from 83900011 up to 83901141 + from C3200011 up to C3200540
7) machine no.		+ from 83901142 up to 83999999 + from C3200541 up to C3299999
8) CCN	CCN-B043	fuel level sensor
9) machine no.		+ from 83901142 up to 83999999 + from C3200541 up to C3299999 with item 22 - 24
10) machine no.		+ from 83901142 up to 83999999

100 FUEL TANK 1)

10)	+ from C3200541 up to C3299999 230 long
11) machine no.	+ from 83900011 up to 83901141 + from C3200011 up to C3200540 230 long
12) machine no.	+ from 83901142 up to 83999999 + from C3200541 up to C3200540
13) machine no.	+ from 83901142 up to 83999999 + from C3200541 up to C3299999 with Item 20
14) machine no.	+ from 83901142 up to 83999999 + from C3200541 up to C3299999 with Item 23

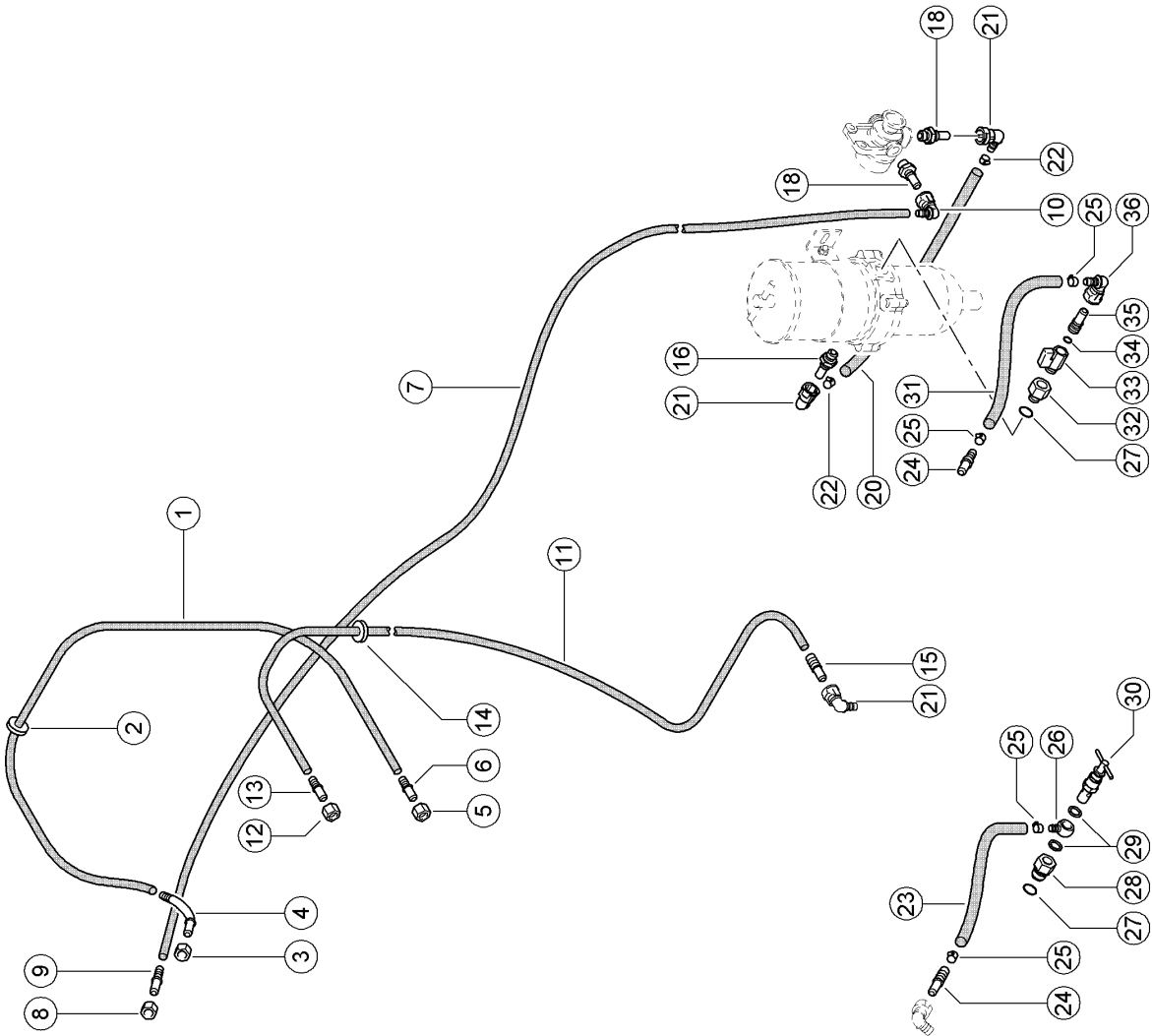
E0106 0125A120A 1



120 FUEL DELIVERY PUMP

Pos.	Part No.	Description	Dimension	Quantity	Conditions
1	00 0068 665 0	HAND PUMP	H11K06 M16X1,5	1	
1	00 0077 446 0	SEALING RING	F. H11 K02	1	
1	00 0077 447 0	INSPECTION GLASS		1	
2	00 0237 442 0	HEXAGON HEAD BOLT	M8X25	2	
2	00 0239 393 1	CONTACT WASHER	B 8 -8.2X22X1,9	2	
2	00 0236 170 0	HEXAGONAL NUT	M8	2	
3	00 0077 445 0	FILTER ELEMENT		1	

E0106 0125A140A 1



Thank you so much for reading.
Please click the “Buy Now!”
button below to download the
complete manual.



After you pay.

You can download the most
perfect and complete manual in
the world immediately.

Our support email:

ebooklibonline@outlook.com