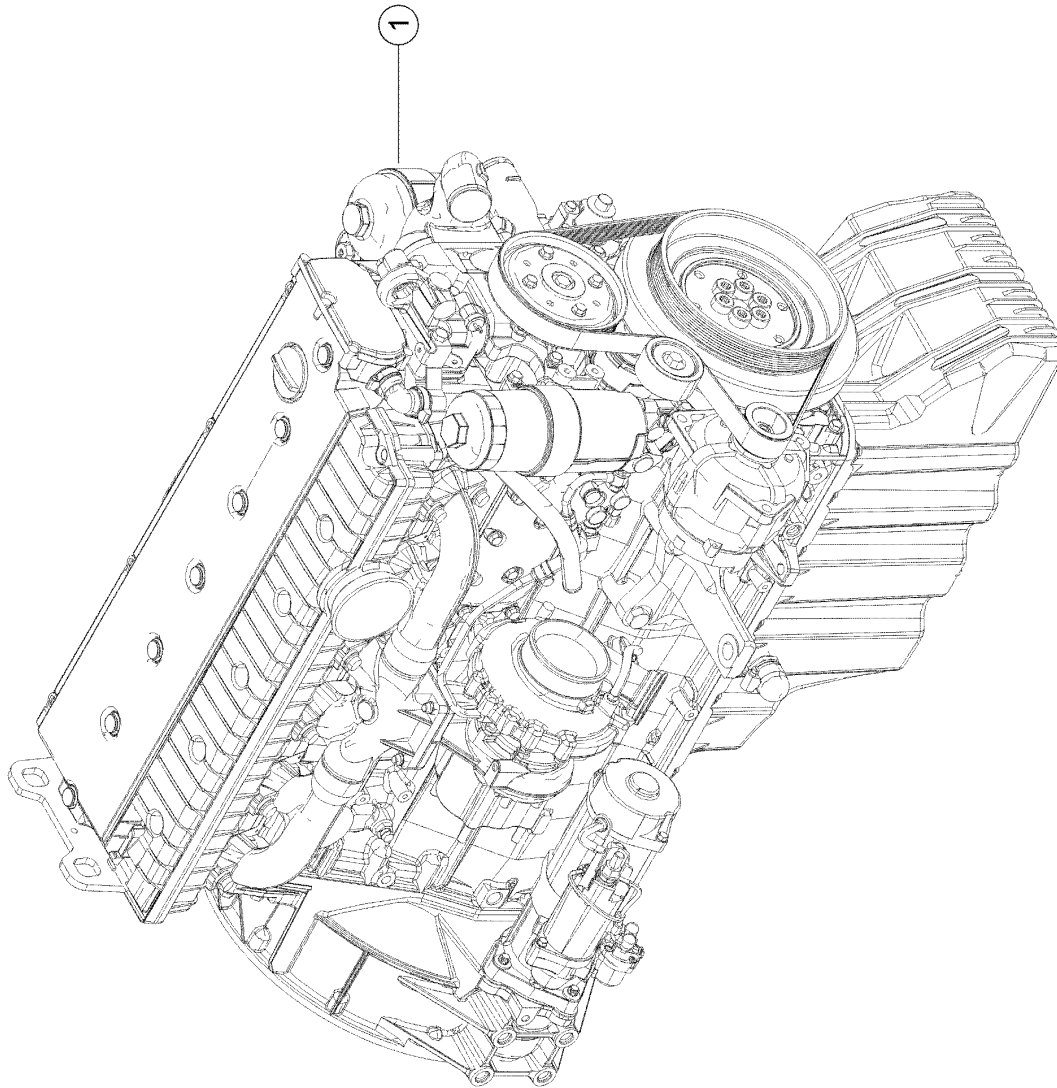


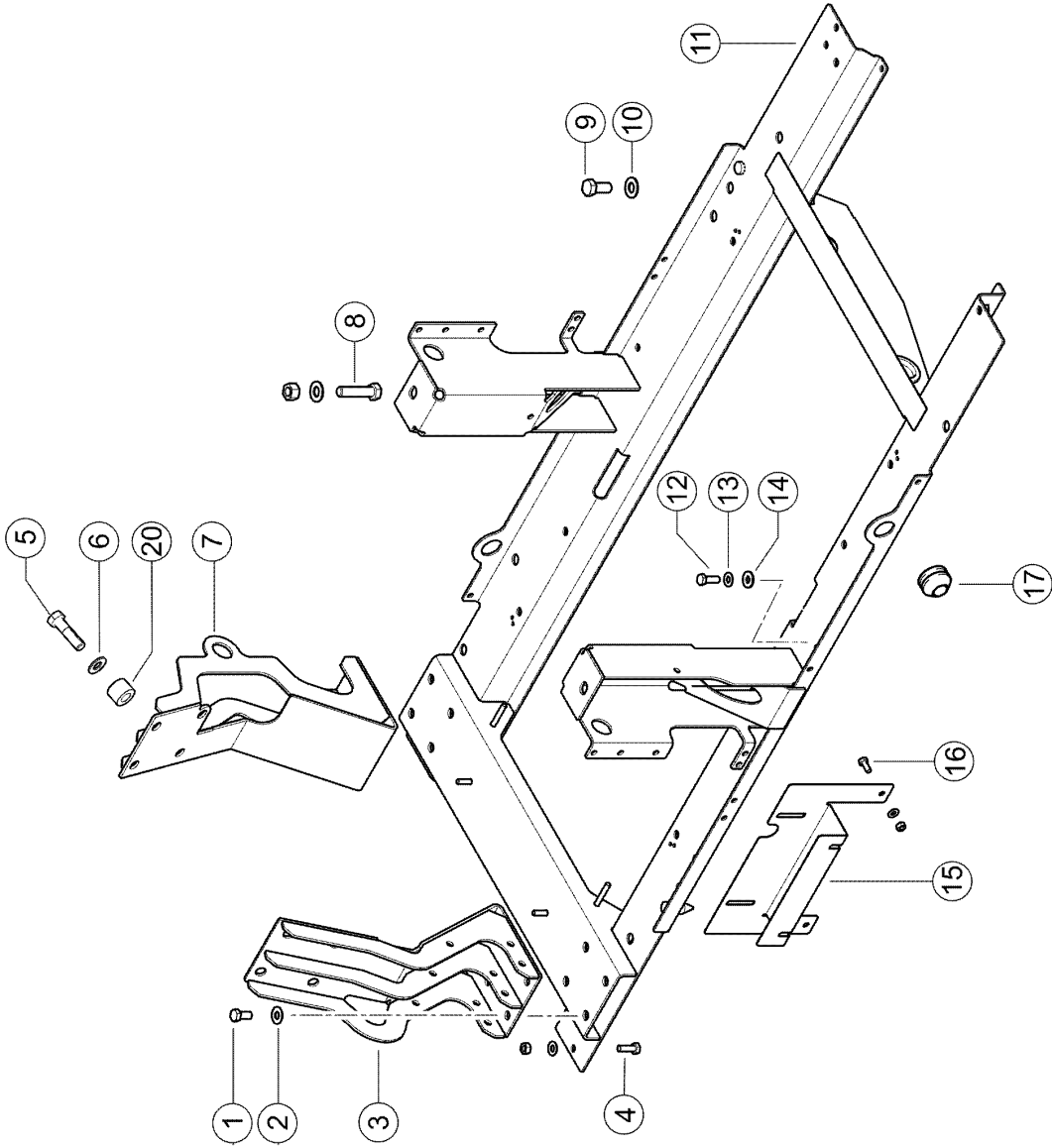
010 COMPLETE ENGINE 1)

Pos.	Part No.	Description	Dimension	Quantity	Conditions
1	00 0781 440 4	ENGINE	OM936LA 230KW STAGE IV	1	2)
1	00 1984 955 0	ENGINE	REMAN OM 936 LA 230KW IV	1	3)
1	00 0781 436 4	ENGINE	OM936LA 230KW STAGE IV	1	4)
1	00 1984 953 0	ENGINE	REMAN OM 936 LA 230KW IV	1	5)
1	00 0781 441 4	ENGINE	OM936LA 260KW STAGE IV	1	6)
1	00 1984 936 0	ENGINE	REMAN OM 936 LA 260KW TI	1	7)
1	00 0781 437 4	ENGINE	OM936LA 260KW STAGE IV	1	8)
1	00 1984 938 0	ENGINE	REMAN OM 936 LA 260KW	1	9)
1)	Equipment	MD_P02_0784 MD_P02_0785 MD_P02_0786 MD_P02_0787	Mercedes-Benz OM936 LA - 230 kW/313 hp (T4) Mercedes-Benz OM936 LA - 230 kW/313 hp (T4) with air compressor Mercedes-Benz OM936 LA - 260 kW/354 hp (T4) Mercedes-Benz OM936 LA - 260 kW/354 hp (T4) with air compressor		
2)	Equipment	MD_P02_0784	Mercedes-Benz OM936 LA - 230 kW/313 hp (T4)		
3)	Equipment Remarks	MD_P02_0784	Mercedes-Benz OM936 LA - 230 kW/313 hp (T4) Exchange / Reman; not for US		
4)	Equipment	MD_P02_0785	Mercedes-Benz OM936 LA - 230 kW/313 hp (T4) with air compressor		
5)	Equipment Remarks	MD_P02_0785	Mercedes-Benz OM936 LA - 230 kW/313 hp (T4) with air compressor Exchange / Reman; not for US		
6)	Equipment	MD_P02_0786	Mercedes-Benz OM936 LA - 260 kW/354 hp (T4)		
7)	Equipment Remarks	MD_P02_0786	Mercedes-Benz OM936 LA - 260 kW/354 hp (T4) Exchange / Reman; not for US		
8)	Equipment	MD_P02_0787	Mercedes-Benz OM936 LA - 260 kW/354 hp (T4) with air compressor		
9)	Equipment Remarks	MD_P02_0787	Mercedes-Benz OM936 LA - 260 kW/354 hp (T4) with air compressor Exchange / Reman; not for US		



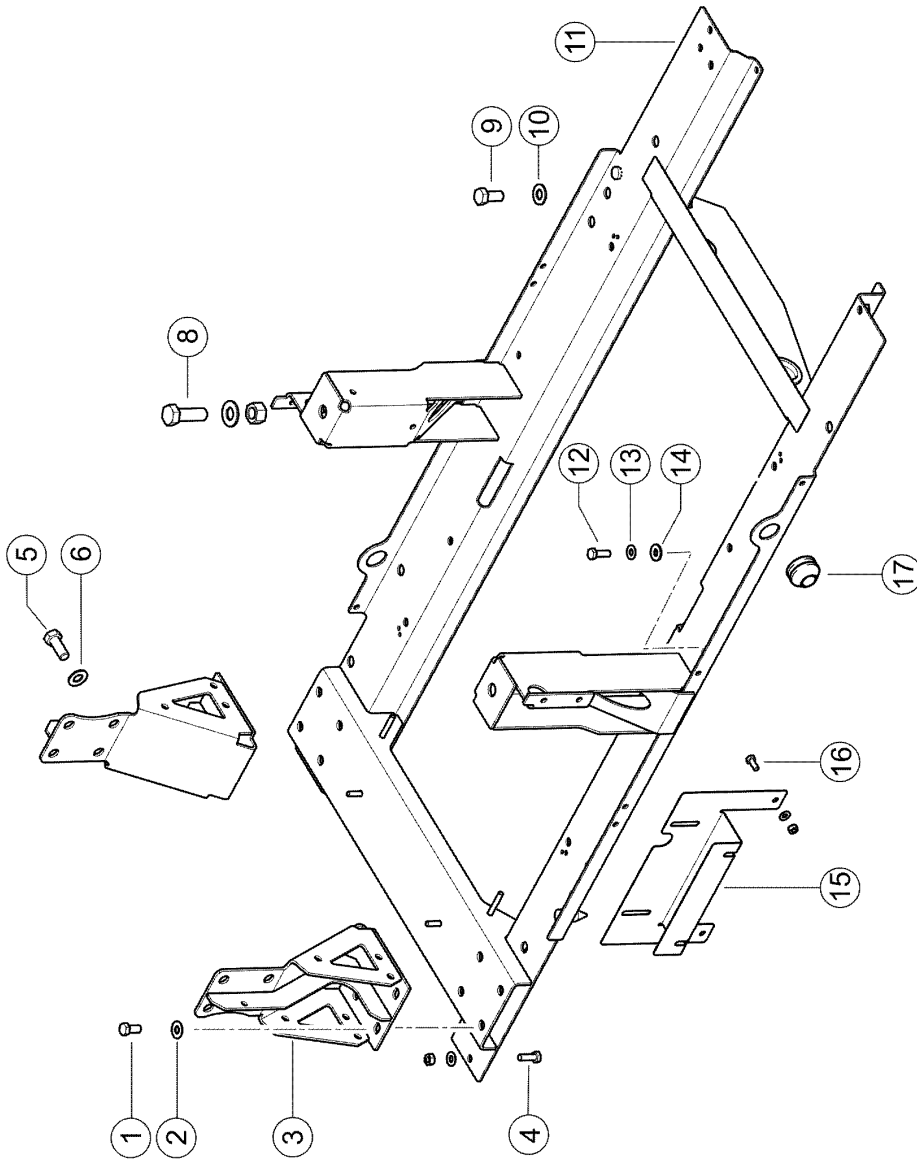
010 COMPLETE ENGINE 1)

Pos.	Part No.	Description	Dimension	Quantity	Conditions
1	00 0773 717 0	ENGINE	OM926LA 220KW TIER3	1	2)
1	00 0773 718 0	ENGINE	OM926LA 220KW TIER3	1	3)
1	00 2597 266 0	ENGINE	OM926 220KW CHINA 1 III M.		4)
1) Equipment					
		MD_P02_0735	OM926LA ECE R120 220 kW@2200 rpm Tier 3 / Stage IIIA		
		MD_P02_0736	OM926LA DL compr. ECE R120 220 kW@2200 rpm Tier 3 / Stage IIIA		
		MD_P02_0748	OM926LA DL compr. ECE R120 220 kW@2200rpm Stage III China		
2) Equipment					
		MD_P02_0735	OM926LA ECE R120 220 kW@2200 rpm Tier 3 / Stage IIIA		
3) Equipment					
		MD_P02_0736	OM926LA DL compr. ECE R120 220 kW@2200 rpm Tier 3 / Stage IIIA		
4) Equipment					
		MD_P02_0748	OM926LA DL compr. ECE R120 220 kW@2200rpm Stage III China		



100 ENGINE SUSPENSION 1)

Pos.	Part No.	Description	Dimension	Quantity	Conditions
1	00 0236 056 0	HEXAGON HEAD BOLT	M12X25	8	
2	00 0239 389 0	CONTACT WASHER	A12	8	
3	00 0781 158 4	SUPPORT	MTU OM936LA RE	1	
4	00 0237 453 0	HEXAGON HEAD BOLT	M10X30	1	
4	00 0239 388 0	CONTACT WASHER	A10-10,2X22,25X1,6	1	
4	00 0236 171 0	HEXAGONAL NUT	M10	1	
5	00 1035 828 1	HEXAGON HEAD BOLT	M16X60	7	
6	00 0239 391 0	CONTACT WASHER	A16	7	
7	00 0781 155 3	SUPPORT	MTU TIER4F OM936LA 1 LI		
8	00 0233 095 0	HEXAGON HEAD BOLT	M16X65	2	
8	00 0239 391 0	CONTACT WASHER	A16	2	
8	00 0236 173 0	HEXAGONAL NUT	M16	2	
9	00 0236 230 0	HEXAGON HEAD BOLT	M16X35	5	
10	00 0239 391 0	CONTACT WASHER	A16	5	
11	00 0773 788 4	ENGINE MOUNTING		1	
12	00 0237 453 0	HEXAGON HEAD BOLT	M10X30	2	
13	00 0239 388 0	CONTACT WASHER	A10-10,2X22,25X1,6	2	
14	00 0234 326 0	WASHER	11X26X3	2	
15	00 0781 297 3	SUPPORT	2X207X376,2	1	
16	00 0236 200 0	HEXAGON HEAD BOLT	M8X20	2	
16	00 0239 387 0	CONTACT WASHER	A8-8,2X18X1,4	2	
16	00 0236 170 0	HEXAGONAL NUT	M8	2	
17	00 0734 779 0	CABLE RING	C 20-35X50X2	1	
20	00 2598 063 0	SLEEVE	D35X25	7	
1) Equipment					
		MD_P02_0784	Mercedes-Benz OM936 LA - 230 kW/313 hp (T4)		
		MD_P02_0785	Mercedes-Benz OM936 LA - 230 kW/313 hp (T4) with air compressor		
		MD_P02_0786	Mercedes-Benz OM936 LA - 260 kW/354 hp (T4)		
		MD_P02_0787	Mercedes-Benz OM936 LA - 260 kW/354 hp (T4) with air compressor		



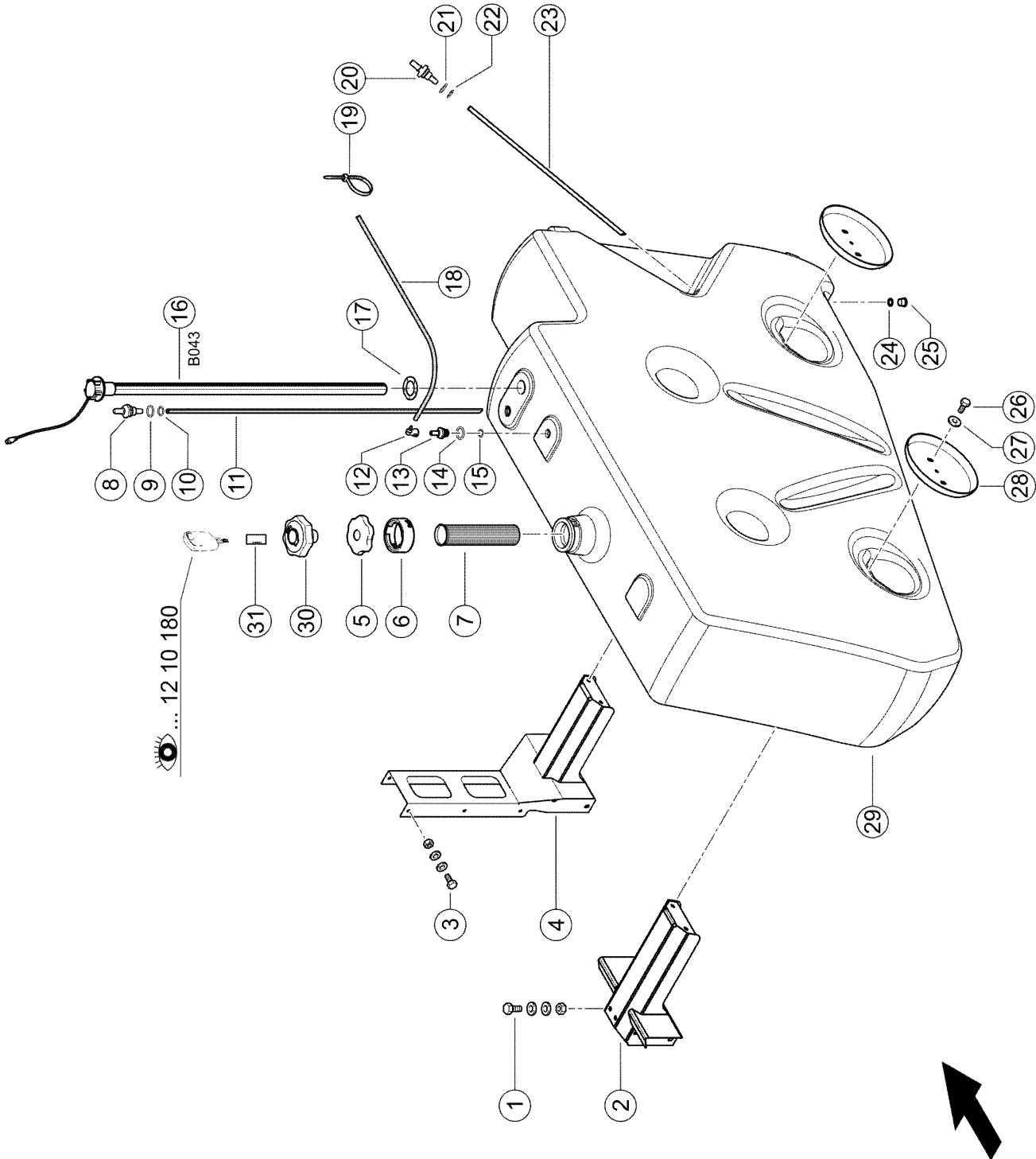
100 ENGINE SUSPENSION 1)

Pos.	Part No.	Description	Dimension	Quantity	Conditions
1	00 0236 056 0	HEXAGON HEAD BOLT	M12X25	8	
2	00 0239 389 0	CONTACT WASHER	A12	8	
3	00 0781 253 1	SUPPORT		2	
4	00 0237 453 0	HEXAGON HEAD BOLT	M10X30	1	
4	00 0239 388 0	CONTACT WASHER	A10-10,2X22,25X1,6	1	
4	00 0236 171 0	HEXAGONAL NUT	M10	1	
5	00 0368 026 0	HEX.HEAD BOLT	M16X40	8	
6	00 0239 391 0	CONTACT WASHER	A16	8	
8	00 0237 591 0	HEX.HEAD BOLT	M20X60	2	
8	00 0212 191 0	CONTACT WASHER	A20	2	
8	00 0237 521 0	HEX.NUT	M20	2	
9	00 0236 230 0	HEXAGON HEAD BOLT	M16X35	6	
10	00 0239 391 0	CONTACT WASHER	A16	6	
11	00 0781 150 4	ENGINE MOUNTING		1	
12	00 0237 453 0	HEXAGON HEAD BOLT	M10X30	2	
13	00 0239 388 0	CONTACT WASHER	A10-10,2X22,25X1,6	2	
14	00 0234 326 0	WASHER	11X26X3	2	
15	00 0781 297 3	SUPPORT	2X207X376,2	1	
16	00 0236 200 0	HEXAGON HEAD BOLT	M8X20	2	
16	00 0239 387 0	CONTACT WASHER	A8-8,2X18X1,4	2	
16	00 0236 170 0	HEXAGONAL NUT	M8	2	
17	00 0734 779 0	CABLE RING	C 20-35X50X2	1	

1) Equipment

MD_P02_0735
MD_P02_0736
MD_P02_0748

OM926LA ECE R120 220 kW@2200 rpm Tier 3 / Stage IIIA
OM926LA DL compr. ECE R120 220 kW@2200 rpm Tier 3 / Stage IIIA
OM926LA DL compr. ECE R120 220 kW@2200rpm Stage III China



100 FUEL TANK 1)

Pos.	Part No.	Description	Dimension	Quantity	Conditions
1	00 0237 461 0	HEXAGON HEAD BOLT	M12X30	12	
1	00 0239 389 0	CONTACT WASHER	A12	24	
1	00 0236 172 0	HEXAGONAL NUT	M12	12	
2	00 0548 203 0	MOUNT		1	
3	00 0237 382 0	HEXAGON HEAD BOLT	M10X20	6	
3	00 0239 388 0	CONTACT WASHER	A10-10,2X22,25X1,6	12	
3	00 0236 171 0	HEXAGONAL NUT	M10	6	
4	00 2312 912 0	MOUNT		1	
5	00 0034 018 0	CAP		1	
6	00 0038 915 0	SOCKET	SV 80 B/40	1	
7	00 0736 238 0	TANK FILTER		1	
8	00 1828 333 0	ADAPTER		1	2)
9	00 1828 336 0	O-RING	19X4-N	1	
10	00 0218 694 0	O-RING	18 X3 -N	1	
11	00 0550 429 1	RETURN PIPE		1	3)
12	00 0217 501 0	CONNECTOR	NQS 1/2" - 6 X 90 GRAD	1	
13	00 0794 417 2	VENTILATION		1	4)
14	00 1828 336 0	O-RING	19X4-N	1	
15	00 0218 694 0	O-RING	18 X3 -N	1	
16	00 0016 595 0	LEVEL INDICATOR	D66X1210	1	5)
16	00 0783 653 0	PT SCREW	6ST 4X40	1	
17	00 0794 993 0	GASKET	VORRATSGEBER	1	
18	00 0459 454 0	PVC-HOSE	6 X 1,5	1	6)
19	00 2151 573 0	CABLE TIE	4,6 X 200 2TLG. KANTENBE	1	
20	00 0783 649 2	ADAPTER		1	7)
21	00 0217 460 0	O-RING	18,64X3,53 -N	1	
22	00 0218 694 0	O-RING	18 X3 -N	1	
23	00 0550 428 1	SUCTION PIPE		1	8)
24	00 0218 694 0	O-RING	18 X3 -N	1	
25	00 0550 068 0	SCREW PLUG		1	9)
26	00 0237 382 0	HEXAGON HEAD BOLT	M10X20	4	
27	00 0239 394 1	CONTACT WASHER	B10	4	
28	00 0548 224 1	WASHER		2	
29	00 2312 748 0	FUEL TANK		1	10)
30	00 0536 232 0	CAP	DV80A M. SCHLOSS	1	11)
31	00 0536 215 0	LOCKING CYLINDER	TANK,STANDARD SCHLIESSUN	1	12)
31	00 0536 225 0	LOCKING CYLINDER	TANK,INDIVIDUELLE SCHLIE	1	11)

1) Equipment

MD_P14_0065

Fuel tank 650 litres

2) Remarks

with Item 9

3) Remarks

with Item 8 - 10

4) Remarks

with Item 14, 15

5) CCN

CCN-B043

fuel level sensor
with Item 17**6) Remarks**

1900 mm long

7) Remarks

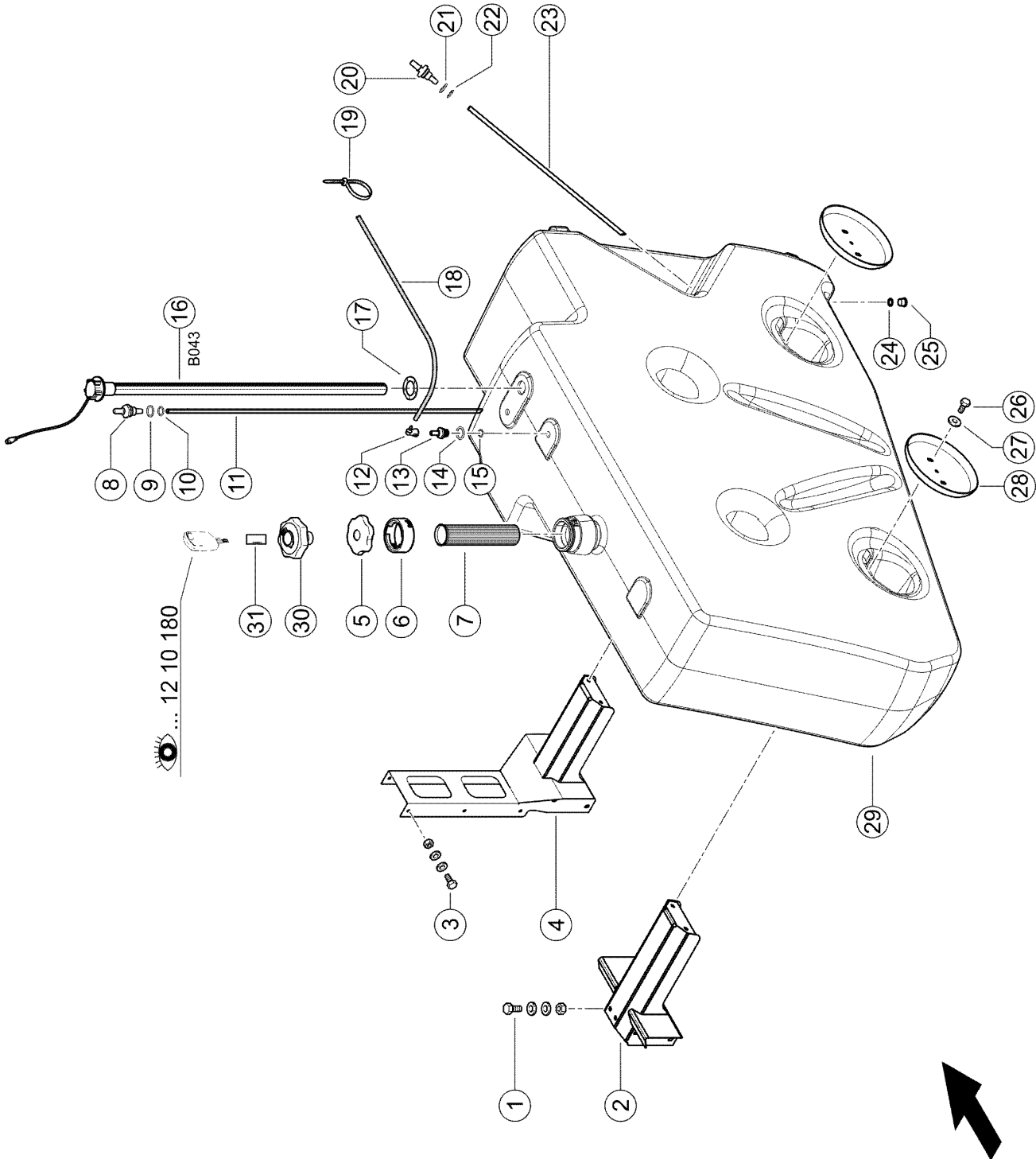
with Item. 21, 22

8) Remarks

with Item 20 - 22

100 FUEL TANK 1)

9) Remarks		with Item 24
10) Remarks		with Item 5-17,20-25
11) Equipment	MD_Q18_0020	Locking system, individual
12) Equipment	MD_Q18_0010	Locking system, standard



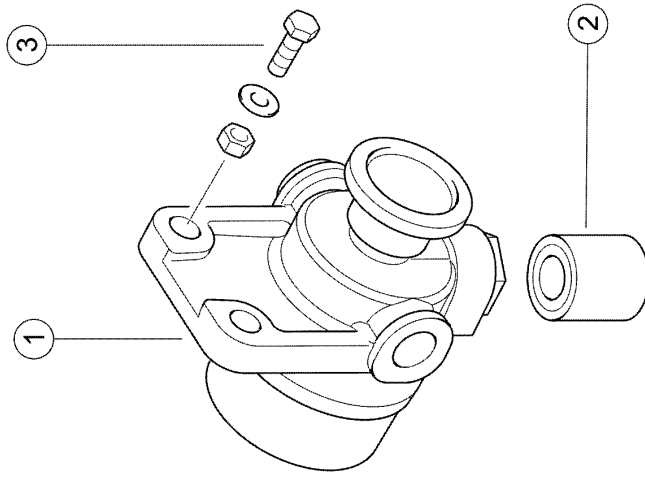
100 FUEL TANK 1)

Pos.	Part No.	Description	Dimension	Quantity	Conditions
1	00 0237 461 0	HEXAGON HEAD BOLT	M12X30	12	
1	00 0239 389 0	CONTACT WASHER	A12	24	
1	00 0236 172 0	HEXAGONAL NUT	M12	12	
2	00 0548 203 0	MOUNT		1	
3	00 0237 382 0	HEXAGON HEAD BOLT	M10X20	6	
3	00 0239 388 0	CONTACT WASHER	A10-10,2X22,25X1,6	12	
3	00 0236 171 0	HEXAGONAL NUT	M10	6	
4	00 2312 912 0	MOUNT		1	
5	00 0034 018 0	CAP		1	
6	00 0038 915 0	SOCKET	SV 80 B/40	1	
7	00 0736 238 0	TANK FILTER		1	
8	00 1828 333 0	ADAPTER		1	2)
9	00 1828 336 0	O-RING	19X4-N	1	
10	00 0218 694 0	O-RING	18 X3 -N	1	
11	00 0550 429 1	RETURN PIPE		1	3)
12	00 0217 501 0	CONNECTOR	NQS 1/2" - 6 X 90 GRAD	1	
13	00 0794 417 2	VENTILATION		1	4)
14	00 1828 336 0	O-RING	19X4-N	1	
15	00 0218 694 0	O-RING	18 X3 -N	1	
16	00 0016 595 0	LEVEL INDICATOR	D66X1210	1	5)
16	00 0783 653 0	PT SCREW	6ST 4X40	1	
17	00 0794 993 0	GASKET	VORRATSGEBER	1	
18	00 0459 454 0	PVC-HOSE	6 X 1,5	1	6)
19	00 2151 573 0	CABLE TIE	4,6 X 200 2TLG. KANTENBE	1	
20	00 0783 649 2	ADAPTER		1	7)
21	00 0217 460 0	O-RING	18,64X3,53 -N	1	
22	00 0218 694 0	O-RING	18 X3 -N	1	
23	00 0550 428 1	SUCTION PIPE		1	8)
24	00 0218 694 0	O-RING	18 X3 -N	1	
25	00 0550 068 0	SCREW PLUG		1	9)
26	00 0237 382 0	HEXAGON HEAD BOLT	M10X20	4	
27	00 0239 394 1	CONTACT WASHER	B10	4	
28	00 0548 224 1	WASHER		2	
29	00 2312 951 0	FUEL TANK		1	10)
30	00 0536 232 0	CAP	DV80A M. SCHLOSS	1	11)
31	00 0536 215 0	LOCKING CYLINDER	TANK,STANDARD SCHLIESSUN	1	12)
31	00 0536 225 0	LOCKING CYLINDER	TANK,INDIVIDUELLE SCHLIE	1	11)

1) Equipment	MD_P14_0075	Fuel tank 750 litres
2) Remarks		with Item 9
3) Remarks		with Item 8 - 10
4) Remarks		with Item 14, 15
5) CCN	CCN-B043	fuel level sensor with Item 17
6) Remarks		1900 mm long
7) Remarks		with Item. 21, 22
8) Remarks		with Item 20 - 22

100 FUEL TANK 1)

9) Remarks		with Item 24
10) Remarks		with Item 5-17,20-25
11) Equipment	MD_Q18_0020	Locking system, individual
12) Equipment	MD_Q18_0010	Locking system, standard



Thank you so much for reading.
Please click the “Buy Now!”
button below to download the
complete manual.



After you pay.

You can download the most
perfect and complete manual in
the world immediately.

Our support email:

ebooklibonline@outlook.com