

010 COMPLETE ENGINE 1)

| Pos. | Part No. | Description | Dimension | Quantity | Conditions |
|------|----------------------|-------------|-----------------------------|----------|------------|
| 1 | 00 2598 537 1 | ENGINE | OM936 230KW E5 TUCANO | 1 | 2) |
| 1 | 00 2598 538 0 | ENGINE | OM936 K 230KW E5 TUCANO | 1 | 3) |
| 1 | 00 2598 539 1 | ENGINE | OM936 260KW E5 TUCANO | 1 | 4) |
| 1 | 00 2598 540 0 | ENGINE | OM936 K 260KW E5 TUCANO | 1 | 5) |
| 1 | 00 1986 251 0 | ENGINE | REMAN OM 936 230KW E5 TU | 1 | 2) |
| 1 | 00 1986 263 0 | ENGINE | REMAN OM K 936 230KW E5 | 1 | 3) |
| 1 | 00 1986 349 0 | ENGINE | REMAN OM 936 260KW E5 TU | 1 | 4) |
| 1 | 00 1986 259 0 | ENGINE | REMAN OM 936 K 260KW E5 | 1 | 5) |

1) Equipment

| | |
|-------------|--|
| MD_P02_0900 | Mercedes-Benz OM936 LA - 230 kW/313 hp (Stage V) |
| MD_P02_0901 | Mercedes-Benz OM936 LA - 230 kW/313 hp (Stage V), air compressor |
| MD_P02_0905 | Mercedes-Benz OM936 LA - 260 kW/354 hp (Stage V) |
| MD_P02_0906 | Mercedes-Benz OM936 LA - 260 kW/354 hp (Stage V), air compressor |

2) Equipment

| | |
|-------------|--|
| MD_P02_0900 | Mercedes-Benz OM936 LA - 230 kW/313 hp (Stage V) |
|-------------|--|

3) Equipment

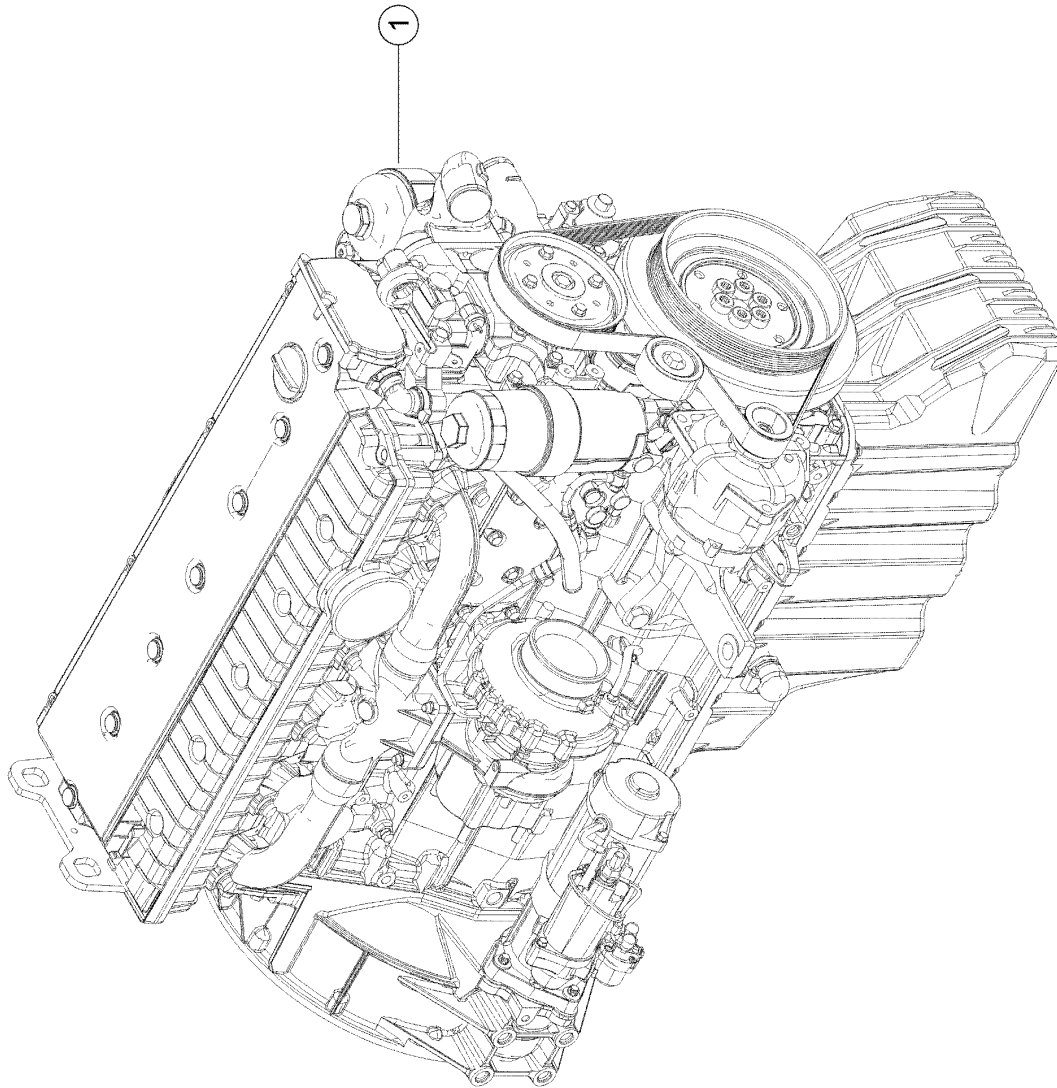
| | |
|-------------|--|
| MD_P02_0901 | Mercedes-Benz OM936 LA - 230 kW/313 hp (Stage V), air compressor |
|-------------|--|

4) Equipment

| | |
|-------------|--|
| MD_P02_0905 | Mercedes-Benz OM936 LA - 260 kW/354 hp (Stage V) |
|-------------|--|

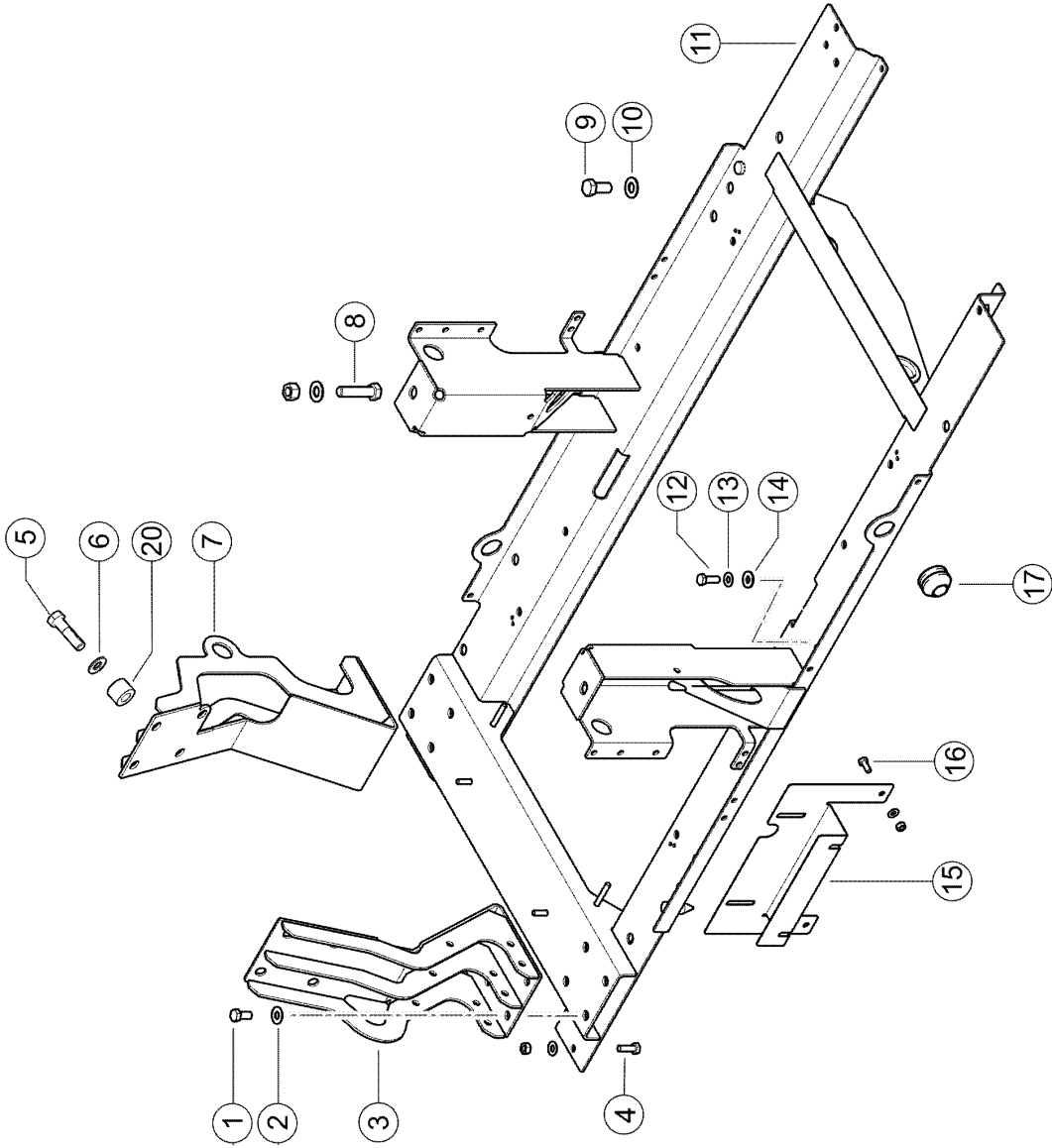
5) Equipment

| | |
|-------------|--|
| MD_P02_0906 | Mercedes-Benz OM936 LA - 260 kW/354 hp (Stage V), air compressor |
|-------------|--|



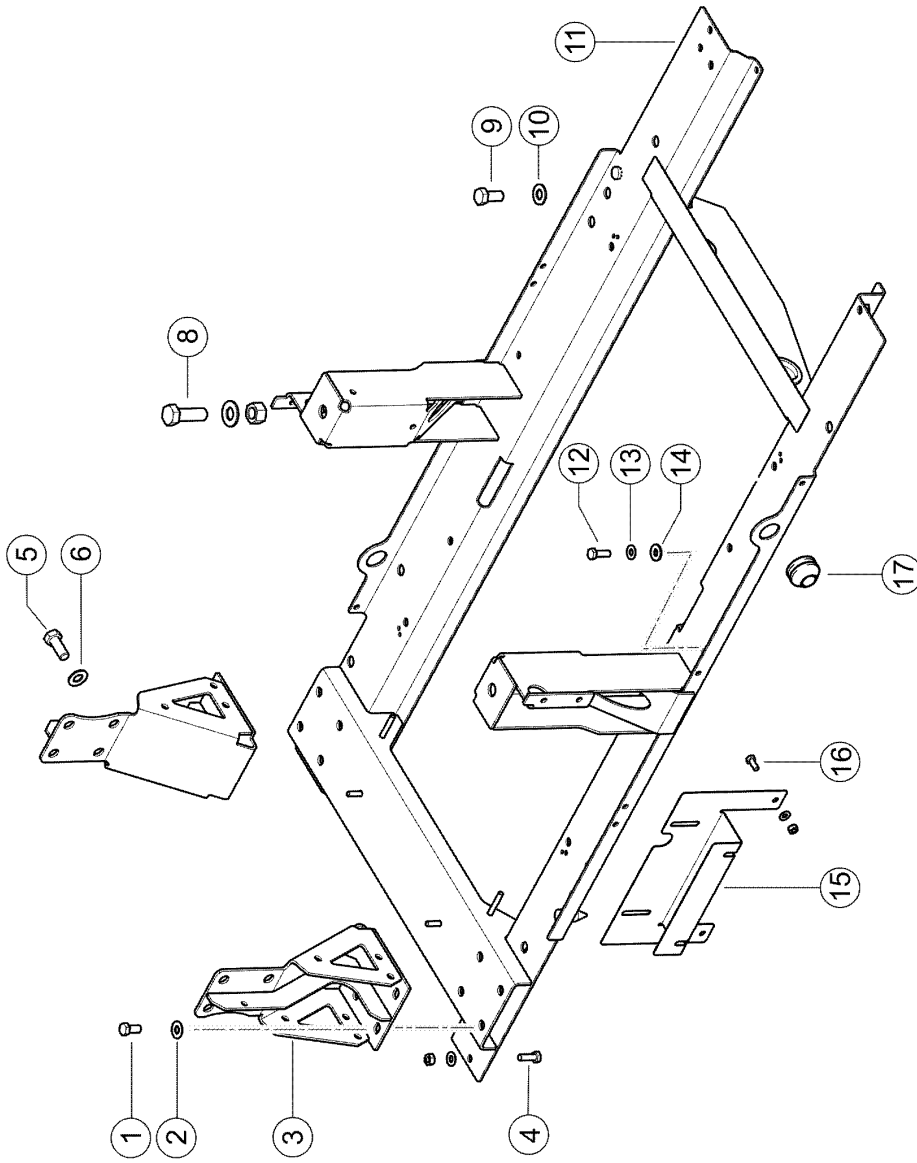
010 COMPLETE ENGINE 1)

| Pos. | Part No. | Description | Dimension | Quantity | Conditions |
|-----------|----------------------|--|--|----------|------------|
| 1 | 00 0773 717 0 | ENGINE | OM926LA 220KW TIER3 | 1 | 2) |
| 1 | 00 0773 718 0 | ENGINE | OM926LA 220KW TIER3 | 1 | 3) |
| 1 | 00 0773 719 0 | ENGINE | OM926LA 240KW TIER3 | 1 | 4) |
| 1 | 00 0773 720 0 | ENGINE | OM926LA 240KW TIER3 | 1 | 5) |
| 1) | Equipment | MD_P02_0735 MD_P02_0736 MD_P02_0745 MD_P02_0746 | OM926LA ECE R120 220 kW@2200 rpm Tier 3 / Stage IIIA OM926LA DL compr. ECE R120 220 kW@2200 rpm Tier 3 / Stage IIIA OM926LA ECE R120 240 kW@2200 rpm Tier 3 / Stage IIIA OM926LA DL compr. ECE R120 240 kW@2200 rpm Tier 3 / Stage IIIA | | |
| 2) | Equipment | MD_P02_0735 | OM926LA ECE R120 220 kW@2200 rpm Tier 3 / Stage IIIA | | |
| 3) | Equipment | MD_P02_0736 | OM926LA DL compr. ECE R120 220 kW@2200 rpm Tier 3 / Stage IIIA | | |
| 4) | Equipment | MD_P02_0745 | OM926LA ECE R120 240 kW@2200 rpm Tier 3 / Stage IIIA | | |
| 5) | Equipment | MD_P02_0746 | OM926LA DL compr. ECE R120 240 kW@2200 rpm Tier 3 / Stage IIIA | | |



100 ENGINE SUSPENSION 1)

| Pos. | Part No. | Description | Dimension | Quantity | Conditions |
|---------------------|----------------------|-------------------|--|----------|------------|
| 1 | 00 0236 056 0 | HEXAGON HEAD BOLT | M12X25 | 8 | |
| 2 | 00 0239 389 0 | CONTACT WASHER | A12 | 8 | |
| 3 | 00 0781 158 4 | SUPPORT | MTU OM936LA RE | 1 | |
| 4 | 00 0237 453 0 | HEXAGON HEAD BOLT | M10X30 | 1 | |
| 4 | 00 0239 388 0 | CONTACT WASHER | A10-10,2X22,25X1,6 | 1 | |
| 4 | 00 0236 171 0 | HEXAGONAL NUT | M10 | 1 | |
| 5 | 00 1035 828 1 | HEXAGON HEAD BOLT | M16X60 | 7 | |
| 6 | 00 0239 391 0 | CONTACT WASHER | A16 | 7 | |
| 7 | 00 0781 155 3 | SUPPORT | MTU TIER4F OM936LA 1 LI | | |
| 8 | 00 0233 095 0 | HEXAGON HEAD BOLT | M16X65 | 2 | |
| 8 | 00 0239 391 0 | CONTACT WASHER | A16 | 2 | |
| 8 | 00 0236 173 0 | HEXAGONAL NUT | M16 | 2 | |
| 9 | 00 0236 230 0 | HEXAGON HEAD BOLT | M16X35 | 5 | |
| 10 | 00 0239 391 0 | CONTACT WASHER | A16 | 5 | |
| 11 | 00 0773 788 6 | ENGINE MOUNTING | DAIMLER OM936LA | 1 | |
| 12 | 00 0237 453 0 | HEXAGON HEAD BOLT | M10X30 | 2 | |
| 13 | 00 0239 388 0 | CONTACT WASHER | A10-10,2X22,25X1,6 | 2 | |
| 14 | 00 0234 326 0 | WASHER | 11X26X3 | 2 | |
| 15 | 00 0781 297 3 | SUPPORT | 2X207X376,2 | 1 | |
| 16 | 00 0236 200 0 | HEXAGON HEAD BOLT | M8X20 | 2 | |
| 16 | 00 0239 387 0 | CONTACT WASHER | A8-8,2X18X1,4 | 2 | |
| 16 | 00 0236 170 0 | HEXAGONAL NUT | M8 | 2 | |
| 17 | 00 0734 779 0 | CABLE RING | C 20-35X50X2 | 1 | |
| 20 | 00 2598 063 0 | SLEEVE | D35X25 | 7 | |
| 1) Equipment | | | | | |
| | | MD_P02_0900 | Mercedes-Benz OM936 LA - 230 kW/313 hp (Stage V) | | |
| | | MD_P02_0901 | Mercedes-Benz OM936 LA - 230 kW/313 hp (Stage V), air compressor | | |
| | | MD_P02_0905 | Mercedes-Benz OM936 LA - 260 kW/354 hp (Stage V) | | |
| | | MD_P02_0906 | Mercedes-Benz OM936 LA - 260 kW/354 hp (Stage V), air compressor | | |

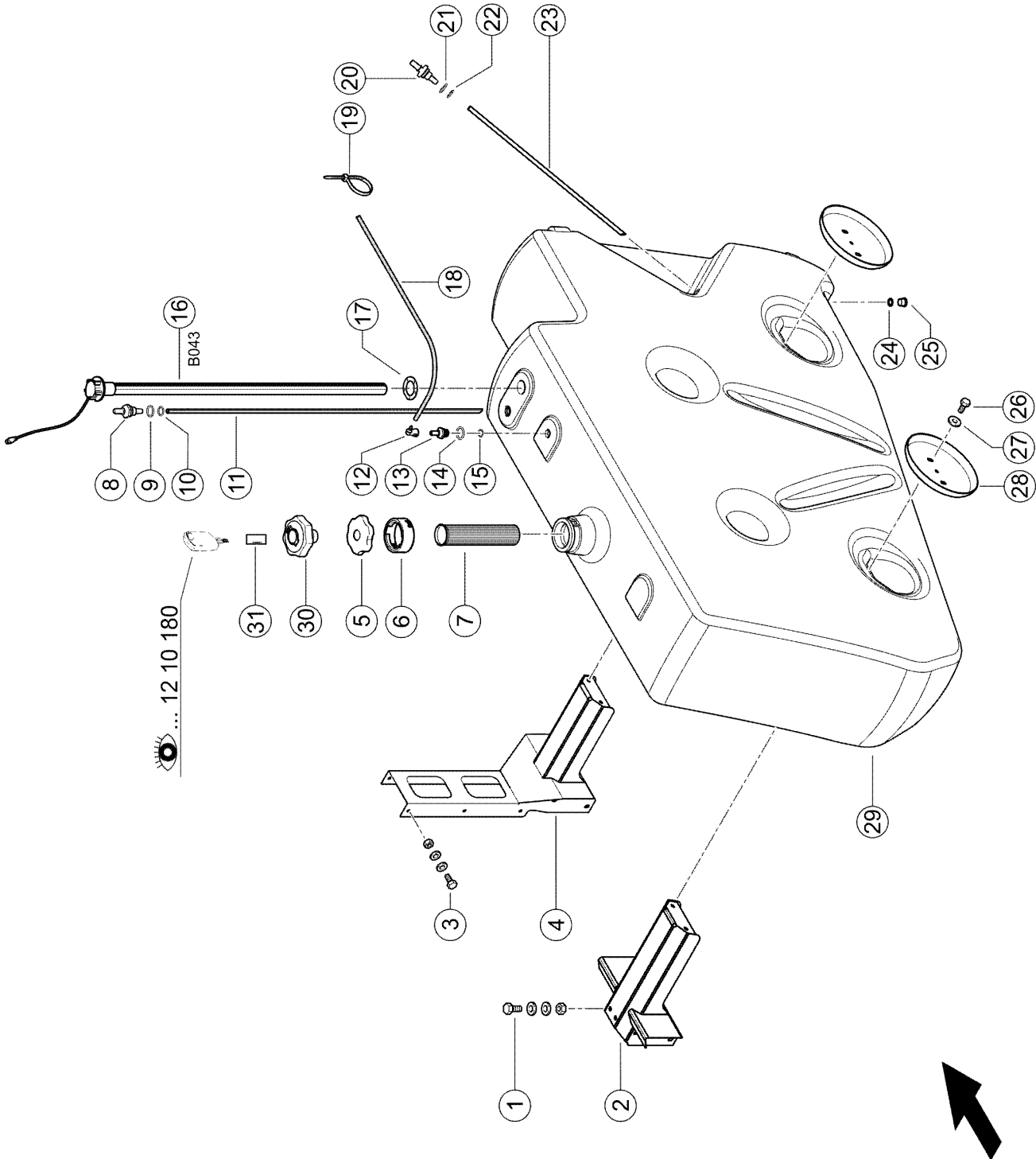


100 ENGINE SUSPENSION 1)

| Pos. | Part No. | Description | Dimension | Quantity | Conditions |
|------|----------------------|-------------------|----------------------------|----------|------------|
| 1 | 00 0236 056 0 | HEXAGON HEAD BOLT | M12X25 | 8 | |
| 2 | 00 0239 389 0 | CONTACT WASHER | A12 | 8 | |
| 3 | 00 0781 253 1 | SUPPORT | | 2 | |
| 4 | 00 0237 453 0 | HEXAGON HEAD BOLT | M10X30 | 1 | |
| 4 | 00 0239 388 0 | CONTACT WASHER | A10-10,2X22,25X1,6 | 1 | |
| 4 | 00 0236 171 0 | HEXAGONAL NUT | M10 | 1 | |
| 5 | 00 0368 026 0 | HEX.HEAD BOLT | M16X40 | 8 | |
| 6 | 00 0239 391 0 | CONTACT WASHER | A16 | 8 | |
| 8 | 00 0237 591 0 | HEX.HEAD BOLT | M20X60 | 2 | |
| 8 | 00 0212 191 0 | CONTACT WASHER | A20 | 2 | |
| 8 | 00 0237 521 0 | HEX.NUT | M20 | 2 | |
| 9 | 00 0236 230 0 | HEXAGON HEAD BOLT | M16X35 | 6 | |
| 10 | 00 0239 391 0 | CONTACT WASHER | A16 | 6 | |
| 11 | 00 0781 150 6 | ENGINE MOUNTING | DAIMLER OM906LA OM926LA | 1 | |
| 12 | 00 0237 453 0 | HEXAGON HEAD BOLT | M10X30 | 2 | |
| 13 | 00 0239 388 0 | CONTACT WASHER | A10-10,2X22,25X1,6 | 2 | |
| 14 | 00 0234 326 0 | WASHER | 11X26X3 | 2 | |
| 15 | 00 0781 297 3 | SUPPORT | 2X207X376,2 | 1 | |
| 16 | 00 0236 200 0 | HEXAGON HEAD BOLT | M8X20 | 2 | |
| 16 | 00 0239 387 0 | CONTACT WASHER | A8-8,2X18X1,4 | 2 | |
| 16 | 00 0236 170 0 | HEXAGONAL NUT | M8 | 2 | |
| 17 | 00 0734 779 0 | CABLE RING | C 20-35X50X2 | 1 | |

1) Equipment

| | |
|-------------|--|
| MD_P02_0735 | OM926LA ECE R120 220 kW@2200 rpm Tier 3 / Stage IIIA |
| MD_P02_0736 | OM926LA DL compr. ECE R120 220 kW@2200 rpm Tier 3 / Stage IIIA |
| MD_P02_0745 | OM926LA ECE R120 240 kW@2200 rpm Tier 3 / Stage IIIA |
| MD_P02_0746 | OM926LA DL compr. ECE R120 240 kW@2200 rpm Tier 3 / Stage IIIA |



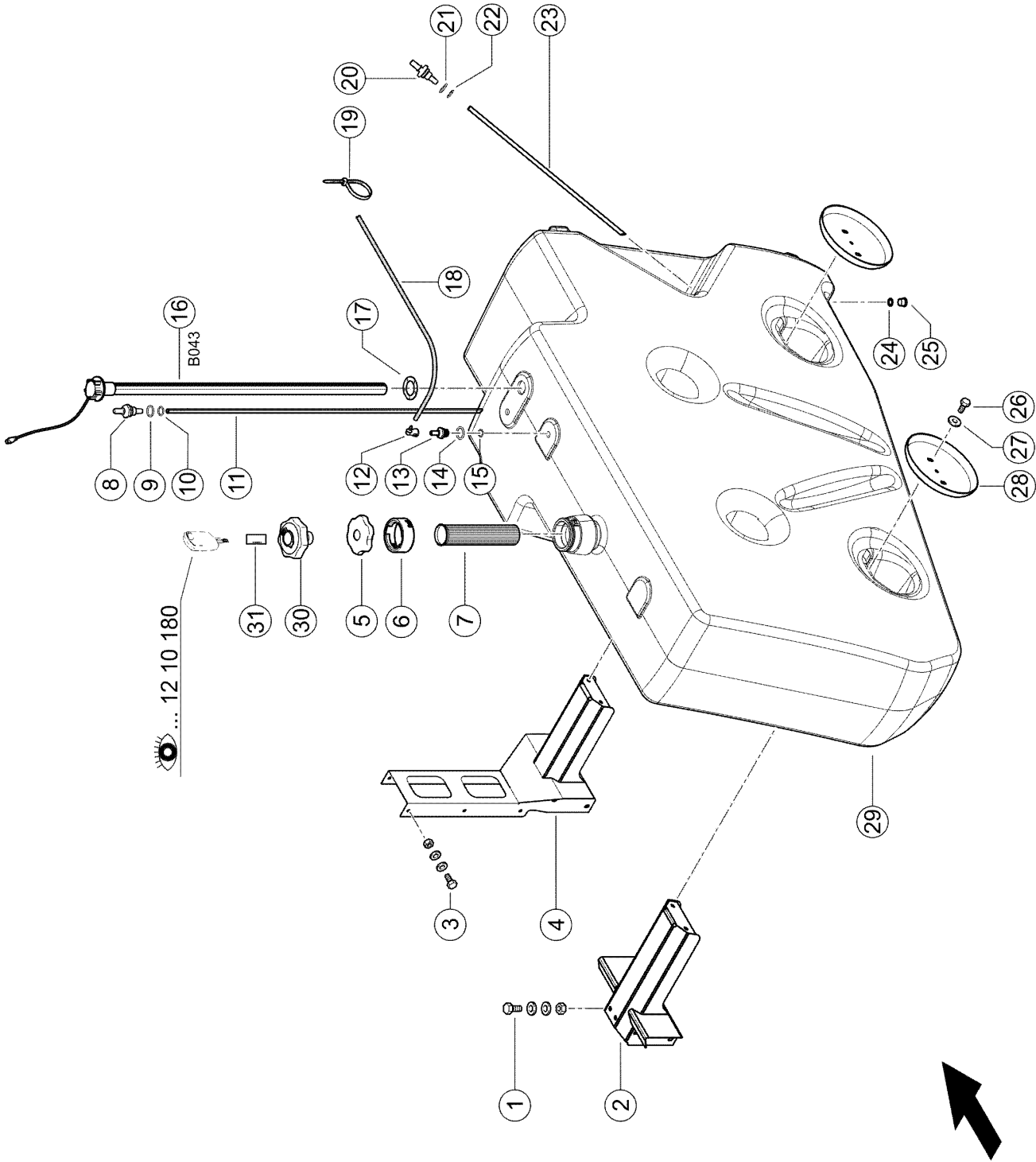
100 FUEL TANK 1)

| Pos. | Part No. | Description | Dimension | Quantity | Conditions |
|------|----------------------|-------------------|-----------------------------|----------|------------|
| 1 | 00 0237 461 0 | HEXAGON HEAD BOLT | M12X30 | 12 | |
| 1 | 00 0239 389 0 | CONTACT WASHER | A12 | 24 | |
| 1 | 00 0236 172 0 | HEXAGONAL NUT | M12 | 12 | |
| 2 | 00 0548 203 0 | MOUNT | | 1 | |
| 3 | 00 0237 383 0 | HEXAGON HEAD BOLT | M10X25 | 6 | |
| 3 | 00 0239 388 0 | CONTACT WASHER | A10-10,2X22,25X1,6 | 12 | |
| 3 | 00 0236 171 0 | HEXAGONAL NUT | M10 | 6 | |
| 4 | 00 2312 912 0 | MOUNT | | 1 | |
| 5 | 00 0034 018 0 | CAP | | 1 | |
| 6 | 00 0038 915 0 | SOCKET | SV 80 B/40 | 1 | |
| 7 | 00 0736 238 0 | TANK FILTER | | 1 | |
| 8 | 00 1828 333 0 | ADAPTER | | 1 | 2) |
| 9 | 00 1828 336 0 | O-RING | 19X4-N | 1 | |
| 10 | 00 0218 694 0 | O-RING | 18 X3 -N | 1 | |
| 11 | 00 0550 429 1 | RETURN PIPE | | 1 | 3) |
| 12 | 00 0217 501 0 | CONNECTOR | NQS 1/2" - 6 X 90 GRAD | 1 | |
| 13 | 00 0794 417 2 | VENTILATION | | 1 | 4) |
| 14 | 00 1828 336 0 | O-RING | 19X4-N | 1 | |
| 15 | 00 0218 694 0 | O-RING | 18 X3 -N | 1 | |
| 16 | 00 0016 595 0 | LEVEL INDICATOR | D66X1210 | 1 | 5) |
| 16 | 00 0783 653 0 | PT SCREW | 6ST 4X40 | 1 | |
| 17 | 00 0794 993 0 | GASKET | VORRATSGEBER | 1 | |
| 18 | 00 0459 454 0 | PVC-HOSE | 6 X 1,5 | 1 | 6) |
| 19 | 00 2151 573 0 | CABLE TIE | 4,6 X 200 2TLG. KANTENBE | 1 | |
| 20 | 00 0783 649 1 | ADAPTER | | 1 | 7) |
| 21 | 00 0217 460 0 | O-RING | 18,64X3,53 -N | 1 | |
| 22 | 00 0218 694 0 | O-RING | 18 X3 -N | 1 | |
| 23 | 00 0550 428 1 | SUCTION PIPE | | 1 | 8) |
| 24 | 00 0218 694 0 | O-RING | 18 X3 -N | 1 | |
| 25 | 00 0550 068 0 | SCREW PLUG | | 1 | 9) |
| 26 | 00 0237 382 0 | HEXAGON HEAD BOLT | M10X20 | 4 | |
| 27 | 00 0239 394 1 | CONTACT WASHER | B10 | 4 | |
| 28 | 00 0548 224 1 | WASHER | | 2 | |
| 29 | 00 2312 748 0 | FUEL TANK | | 1 | 10) |
| 30 | 00 0536 232 0 | CAP | DV80A M. SCHLOSS | 1 | 11) |
| 31 | 00 0536 215 0 | LOCKING CYLINDER | TANK,STANDARD SCHLIESSUN | 1 | 12) |
| 31 | 00 0536 225 0 | LOCKING CYLINDER | TANK,INDIVIDUELLE SCHLIE | 1 | 11) |

| | | |
|---------------------|-------------|-----------------------------------|
| 1) Equipment | MD_P14_0065 | Fuel tank 650 litres |
| 2) Remarks | | with Item 9 |
| 3) Remarks | | with Item 8 - 10 |
| 4) Remarks | | with Item 14, 15 |
| 5) CCN | CCN-B043 | fuel level sensor with Item 17 |
| 6) Remarks | | 1900 mm long |
| 7) Remarks | | with Item. 21, 22 |
| 8) Remarks | | with Item 20 - 22 |

100 FUEL TANK 1)

| | | |
|----------------------|-------------|----------------------------|
| 9) Remarks | | with Item 24 |
| 10) Remarks | | with Item 5-17,20-25 |
| 11) Equipment | MD_Q18_0020 | Locking system, individual |
| 12) Equipment | MD_Q18_0010 | Locking system, standard |



100 FUEL TANK 1)

| Pos. | Part No. | Description | Dimension | Quantity | Conditions |
|------|----------------------|-------------------|-----------------------------|----------|------------|
| 1 | 00 0237 461 0 | HEXAGON HEAD BOLT | M12X30 | 12 | |
| 1 | 00 0239 389 0 | CONTACT WASHER | A12 | 24 | |
| 1 | 00 0236 172 0 | HEXAGONAL NUT | M12 | 12 | |
| 2 | 00 0548 203 0 | MOUNT | | 1 | |
| 3 | 00 0217 070 0 | FLAT HEAD BOLT | M10X 20 | 6 | |
| 3 | 00 0239 388 0 | CONTACT WASHER | A10-10,2X22,25X1,6 | 12 | |
| 3 | 00 0236 171 0 | HEXAGONAL NUT | M10 | 6 | |
| 4 | 00 2312 912 0 | MOUNT | | 1 | |
| 5 | 00 0034 018 0 | CAP | | 1 | |
| 6 | 00 0038 915 0 | SOCKET | SV 80 B/40 | 1 | |
| 7 | 00 0736 238 0 | TANK FILTER | | 1 | |
| 8 | 00 1828 333 0 | ADAPTER | | 1 | 2) |
| 9 | 00 1828 336 0 | O-RING | 19X4-N | 1 | |
| 10 | 00 0218 694 0 | O-RING | 18 X3 -N | 1 | |
| 11 | 00 0550 429 1 | RETURN PIPE | | 1 | 3) |
| 12 | 00 0217 501 0 | CONNECTOR | NQS 1/2" - 6 X 90 GRAD | 1 | |
| 13 | 00 0794 417 2 | VENTILATION | | 1 | 4) |
| 14 | 00 1828 336 0 | O-RING | 19X4-N | 1 | |
| 15 | 00 0218 694 0 | O-RING | 18 X3 -N | 1 | |
| 16 | 00 0016 595 0 | LEVEL INDICATOR | D66X1210 | 1 | 5) |
| 16 | 00 0783 653 0 | PT SCREW | 6ST 4X40 | 1 | |
| 17 | 00 0794 993 0 | GASKET | VORRATSGEBER | 1 | |
| 18 | 00 0459 454 0 | PVC-HOSE | 6 X 1,5 | 1 | 6) |
| 19 | 00 2151 573 0 | CABLE TIE | 4,6 X 200 2TLG. KANTENBE | 1 | |
| 20 | 00 0783 649 1 | ADAPTER | | 1 | 7) |
| 21 | 00 0217 460 0 | O-RING | 18,64X3,53 -N | 1 | |
| 22 | 00 0218 694 0 | O-RING | 18 X3 -N | 1 | |
| 23 | 00 0550 428 1 | SUCTION PIPE | | 1 | 8) |
| 24 | 00 0218 694 0 | O-RING | 18 X3 -N | 1 | |
| 25 | 00 0550 068 0 | SCREW PLUG | | 1 | 9) |
| 26 | 00 0237 382 0 | HEXAGON HEAD BOLT | M10X20 | 4 | |
| 27 | 00 0239 394 1 | CONTACT WASHER | B10 | 4 | |
| 28 | 00 0548 224 1 | WASHER | | 2 | |
| 29 | 00 2312 951 0 | FUEL TANK | | 1 | 10) |
| 30 | 00 0536 232 0 | CAP | DV80A M. SCHLOSS | 1 | 11) |
| 31 | 00 0536 215 0 | LOCKING CYLINDER | TANK,STANDARD SCHLIESSUN | 1 | 12) |
| 31 | 00 0536 225 0 | LOCKING CYLINDER | TANK,INDIVIDUELLE SCHLIE | 1 | 11) |

1) Equipment

MD_P14_0075

Fuel tank 750 litres

2) Remarks

with Item 9

3) Remarks

with Item 8 - 10

4) Remarks

with Item 14, 15

5) CCN

CCN-B043

fuel level sensor
with Item 17**6) Remarks**

1900 mm long

7) Remarks

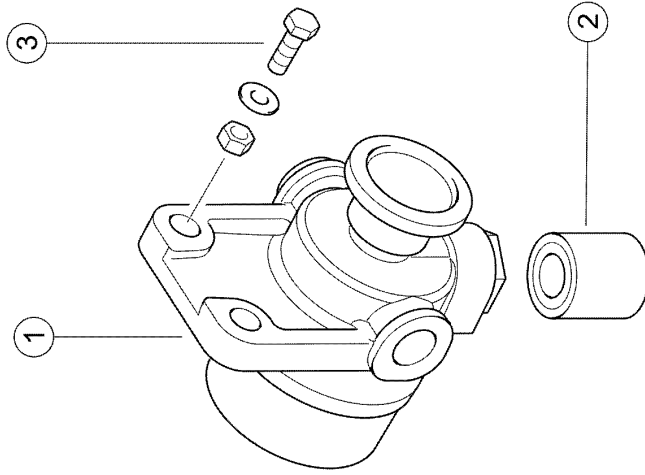
with Item. 21, 22

8) Remarks

with Item 20 - 22

100 FUEL TANK 1)

| | | |
|----------------------|-------------|----------------------------|
| 9) Remarks | | with Item 24 |
| 10) Remarks | | with Item 5-17,20-25 |
| 11) Equipment | MD_Q18_0020 | Locking system, individual |
| 12) Equipment | MD_Q18_0010 | Locking system, standard |



Thank you so much for reading.
Please click the “Buy Now!”
button below to download the
complete manual.



After you pay.

You can download the most
perfect and complete manual in
the world immediately.

Our support email:

ebooklibonline@outlook.com