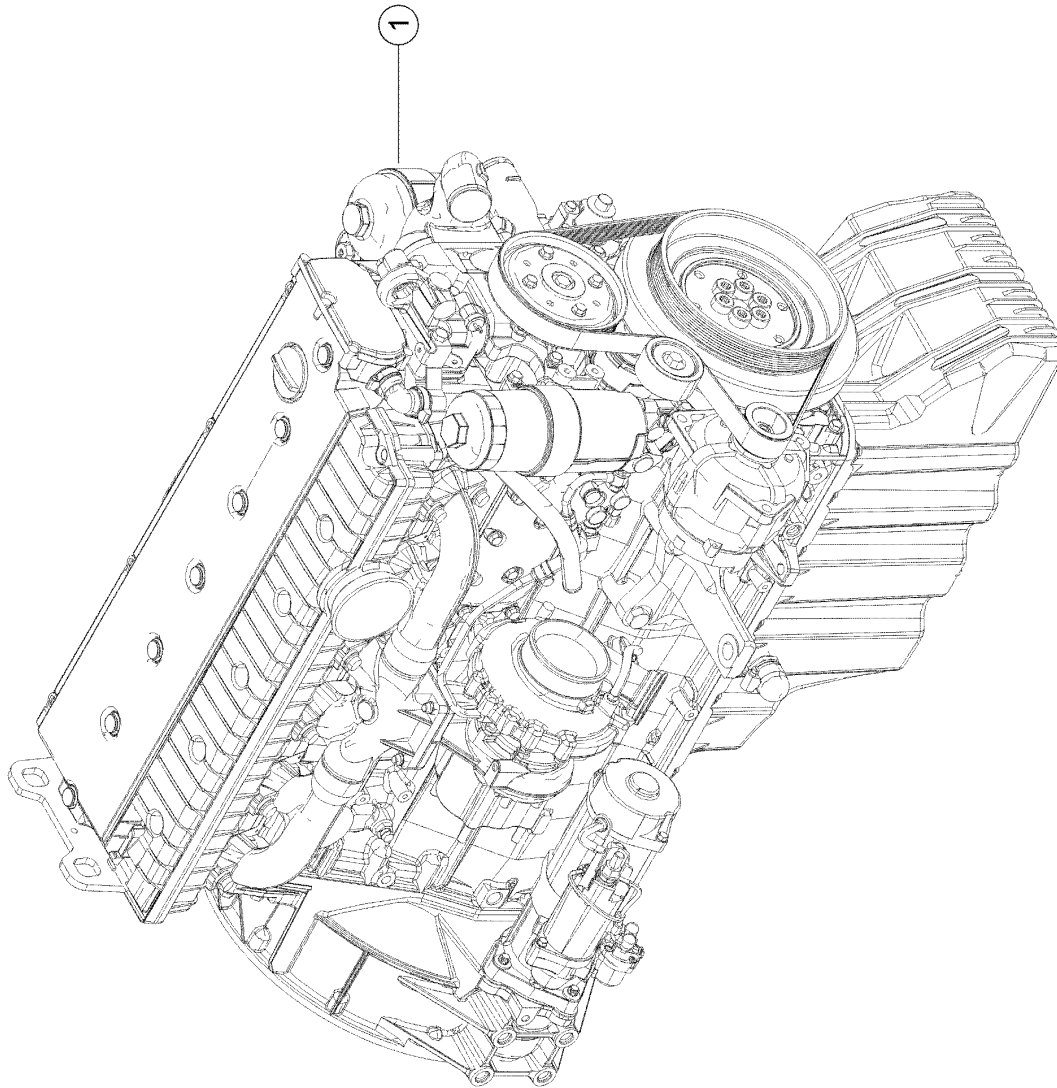


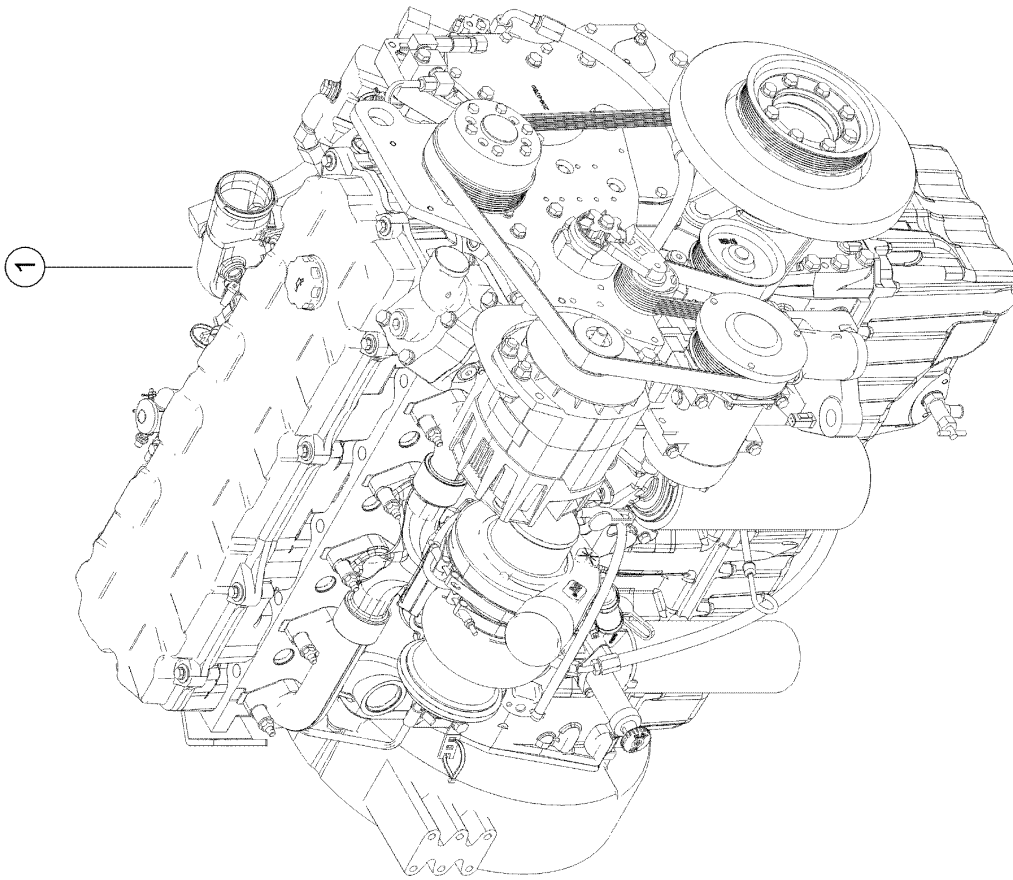
**010 COMPLETE ENGINE 1)**

Pos.	Part No.	Description	Dimension	Quantity	Conditions
1	<b>00 0781 441 4</b>	ENGINE	OM936LA 260KW STAGE IV	1	2)
1	<b>00 1984 936 0</b>	ENGINE	REMAN OM 936 LA 260KW TI	1	3)
1	<b>00 0781 437 4</b>	ENGINE	OM936LA 260KW STAGE IV	1	4)
1	<b>00 1984 938 0</b>	ENGINE	REMAN OM 936 LA 260KW	1	5)
<b>1)</b>	<b>Equipment</b>	MD_P02_0786 MD_P02_0787	Mercedes-Benz OM936 LA - 260 kW/354 hp (T4) Mercedes-Benz OM936 LA - 260 kW/354 hp (T4) with air compressor		
<b>2)</b>	<b>Equipment</b>	MD_P02_0786	Mercedes-Benz OM936 LA - 260 kW/354 hp (T4)		
<b>3)</b>	<b>Equipment</b> <b>Remarks</b>	MD_P02_0786	Mercedes-Benz OM936 LA - 260 kW/354 hp (T4) Exchange / Reman; not for US		
<b>4)</b>	<b>Equipment</b>	MD_P02_0787	Mercedes-Benz OM936 LA - 260 kW/354 hp (T4) with air compressor		
<b>5)</b>	<b>Equipment</b> <b>Remarks</b>	MD_P02_0787	Mercedes-Benz OM936 LA - 260 kW/354 hp (T4) with air compressor Exchange / Reman; not for US		



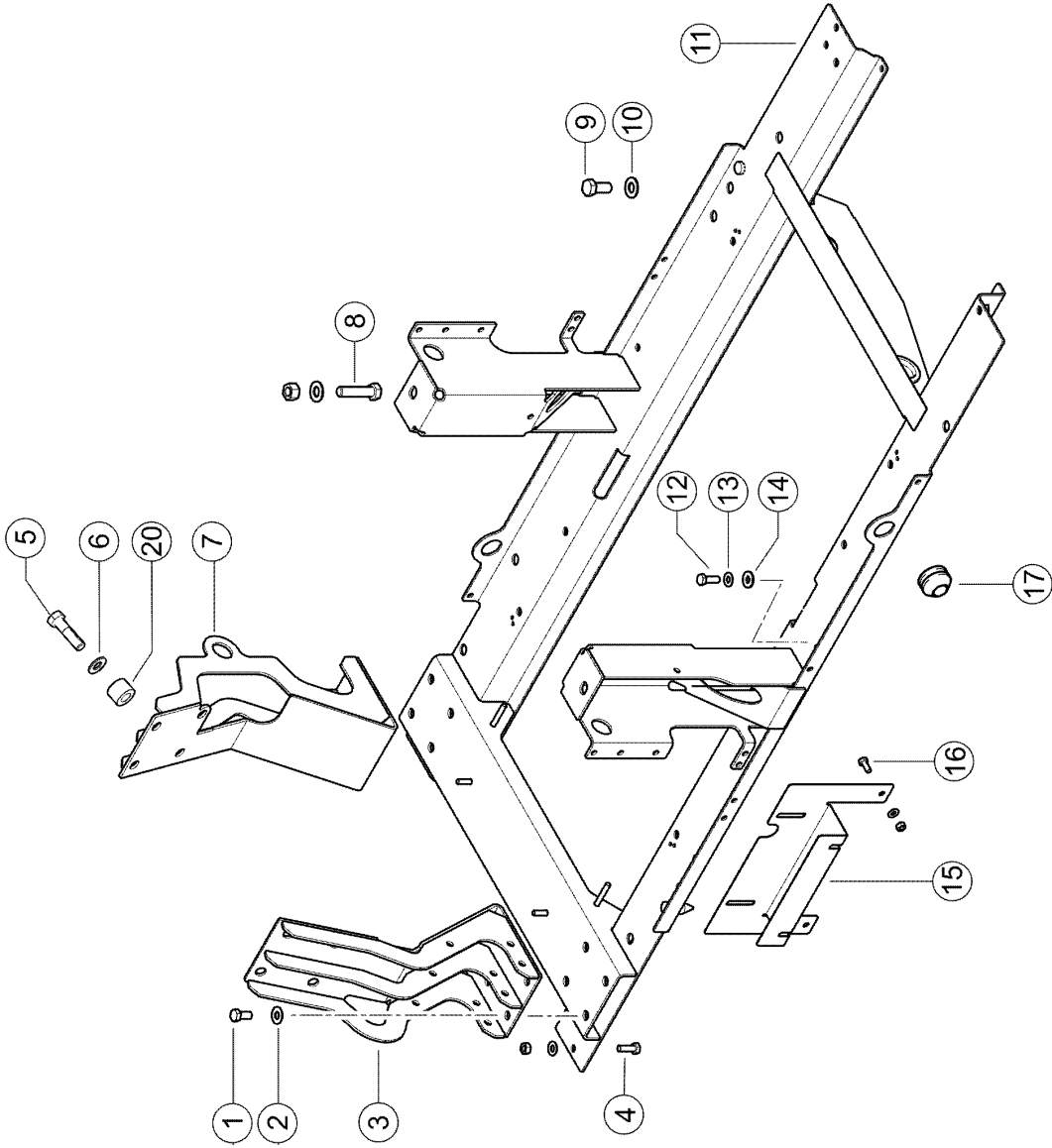
**010 COMPLETE ENGINE 1)**

Pos.	Part No.	Description	Dimension	Quantity	Conditions
1	<b>00 0773 719 0</b>	ENGINE	OM926LA 240KW TIER3	1	2)
1	<b>00 0773 720 0</b>	ENGINE	OM926LA 240KW TIER3	1	3)
1	<b>00 2597 268 0</b>	ENGINE	OM926 240KW CHINA III M.	1	4)
<b>1) Equipment</b>					
		MD_P02_0745	OM926LA ECE R120 240 kW@2200 rpm Tier 3 / Stage IIIA		
		MD_P02_0746	OM926LA DL compr. ECE R120 240 kW@2200 rpm Tier 3 / Stage IIIA		
		MD_P02_0750	OM926LA DL compr. ECE R120 24 0kW@2200rpm Stage III China		
<b>2) Equipment</b>					
		MD_P02_0745	OM926LA ECE R120 240 kW@2200 rpm Tier 3 / Stage IIIA		
<b>3) Equipment</b>					
		MD_P02_0746	OM926LA DL compr. ECE R120 240 kW@2200 rpm Tier 3 / Stage IIIA		
<b>4) Equipment</b>					
		MD_P02_0750	OM926LA DL compr. ECE R120 24 0kW@2200rpm Stage III China		



**010 COMPLETE ENGINE 1)**

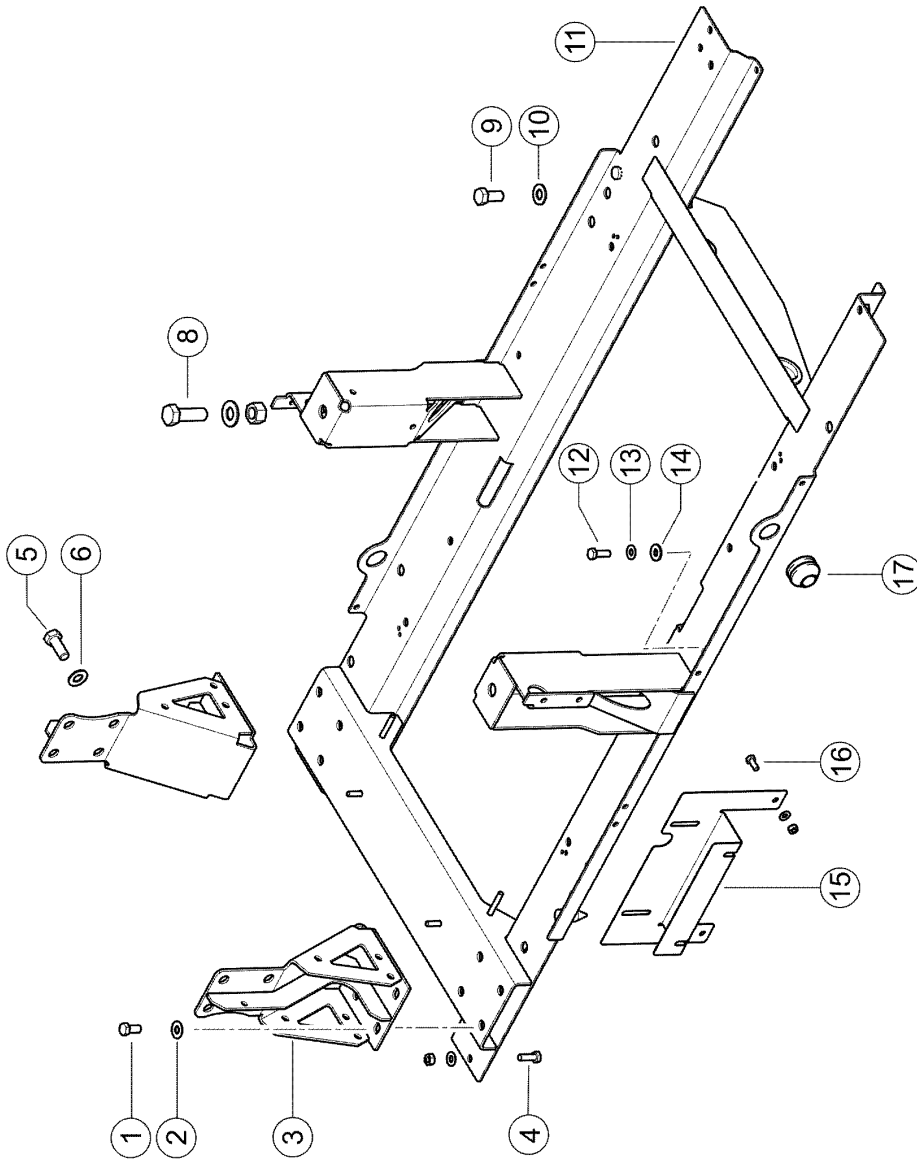
Pos.	Part No.	Description	Dimension	Quantity	Conditions
1	<b>00 2599 950 0</b>	ENGINE	1506D 278KW, 1900RPM, LR	1	2)
1	<b>00 2599 951 0</b>	ENGINE	1506D 278KW, 1900RPM, LR	1	3)
<b>1)</b>	<b>Equipment</b>	MD_P02_0840 MD_P02_0841	Perkins 1506D ECE R120 278KW T3 Perkins 1506D K ECE R120 278KW T3 with air compressor		
<b>2)</b>	<b>Equipment</b>	MD_P02_0840	Perkins 1506D ECE R120 278KW T3		
<b>3)</b>	<b>Equipment</b>	MD_P02_0841	Perkins 1506D K ECE R120 278KW T3 with air compressor		



**100 ENGINE SUSPENSION 1)**

Pos.	Part No.	Description	Dimension	Quantity	Conditions
1	<b>00 0236 056 0</b>	HEXAGON HEAD BOLT	M12X25	8	
2	<b>00 0239 389 0</b>	CONTACT WASHER	A12	8	
3	<b>00 0781 158 4</b>	SUPPORT	MTU OM936LA RE	1	
4	<b>00 0237 453 0</b>	HEXAGON HEAD BOLT	M10X30	1	
4	<b>00 0239 388 0</b>	CONTACT WASHER	A10-10,2X22,25X1,6	1	
4	<b>00 0236 171 0</b>	HEXAGONAL NUT	M10	1	
5	<b>00 1035 828 1</b>	HEXAGON HEAD BOLT	M16X60	7	
6	<b>00 0239 391 0</b>	CONTACT WASHER	A16	7	
7	<b>00 0781 155 3</b>	SUPPORT	MTU TIER4F OM936LA 1 LI		
8	<b>00 0233 095 0</b>	HEXAGON HEAD BOLT	M16X65	2	
8	<b>00 0239 391 0</b>	CONTACT WASHER	A16	2	
8	<b>00 0236 173 0</b>	HEXAGONAL NUT	M16	2	
9	<b>00 0236 230 0</b>	HEXAGON HEAD BOLT	M16X35	5	
10	<b>00 0239 391 0</b>	CONTACT WASHER	A16	5	
11	<b>00 0773 788 4</b>	ENGINE MOUNTING		1	
12	<b>00 0237 453 0</b>	HEXAGON HEAD BOLT	M10X30	2	
13	<b>00 0239 388 0</b>	CONTACT WASHER	A10-10,2X22,25X1,6	2	
14	<b>00 0234 326 0</b>	WASHER	11X26X3	2	
15	<b>00 0781 297 3</b>	SUPPORT	2X207X376,2	1	
16	<b>00 0236 200 0</b>	HEXAGON HEAD BOLT	M8X20	2	
16	<b>00 0239 387 0</b>	CONTACT WASHER	A8-8,2X18X1,4	2	
16	<b>00 0236 170 0</b>	HEXAGONAL NUT	M8	2	
17	<b>00 0734 779 0</b>	CABLE RING	C 20-35X50X2	1	
20	<b>00 2598 063 0</b>	SLEEVE	D35X25	7	
<b>1) Equipment</b>					
		MD_P02_0786			Mercedes-Benz OM936 LA - 260 kW/354 hp (T4)
		MD_P02_0787			Mercedes-Benz OM936 LA - 260 kW/354 hp (T4) with air compressor



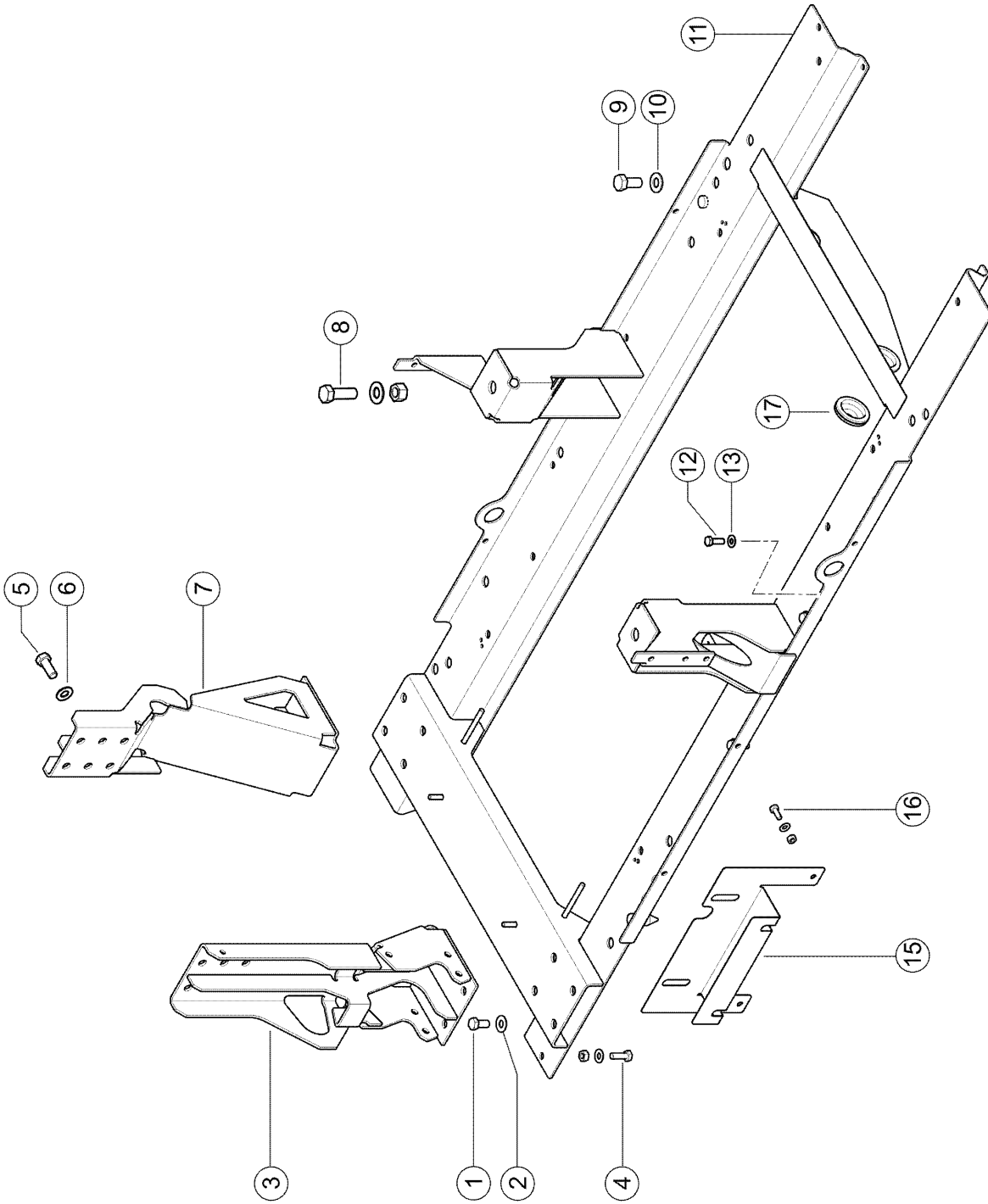


**100 ENGINE SUSPENSION 1)**

Pos.	Part No.	Description	Dimension	Quantity	Conditions
1	<b>00 0236 056 0</b>	HEXAGON HEAD BOLT	M12X25	8	
2	<b>00 0239 389 0</b>	CONTACT WASHER	A12	8	
3	<b>00 0781 253 1</b>	SUPPORT		2	
4	<b>00 0237 453 0</b>	HEXAGON HEAD BOLT	M10X30	1	
4	<b>00 0239 388 0</b>	CONTACT WASHER	A10-10,2X22,25X1,6	1	
4	<b>00 0236 171 0</b>	HEXAGONAL NUT	M10	1	
5	<b>00 0368 026 0</b>	HEX.HEAD BOLT	M16X40	8	
6	<b>00 0239 391 0</b>	CONTACT WASHER	A16	8	
8	<b>00 0237 591 0</b>	HEX.HEAD BOLT	M20X60	2	
8	<b>00 0212 191 0</b>	CONTACT WASHER	A20	2	
8	<b>00 0237 521 0</b>	HEX.NUT	M20	2	
9	<b>00 0236 230 0</b>	HEXAGON HEAD BOLT	M16X35	6	
10	<b>00 0239 391 0</b>	CONTACT WASHER	A16	6	
11	<b>00 0781 150 4</b>	ENGINE MOUNTING		1	
12	<b>00 0237 453 0</b>	HEXAGON HEAD BOLT	M10X30	2	
13	<b>00 0239 388 0</b>	CONTACT WASHER	A10-10,2X22,25X1,6	2	
14	<b>00 0234 326 0</b>	WASHER	11X26X3	2	
15	<b>00 0781 297 3</b>	SUPPORT	2X207X376,2	1	
16	<b>00 0236 200 0</b>	HEXAGON HEAD BOLT	M8X20	2	
16	<b>00 0239 387 0</b>	CONTACT WASHER	A8-8,2X18X1,4	2	
16	<b>00 0236 170 0</b>	HEXAGONAL NUT	M8	2	
17	<b>00 0734 779 0</b>	CABLE RING	C 20-35X50X2	1	

**1) Equipment**

MD_P02_0745	OM926LA ECE R120 240 kW@2200 rpm Tier 3 / Stage IIIA
MD_P02_0746	OM926LA DL compr. ECE R120 240 kW@2200 rpm Tier 3 / Stage IIIA
MD_P02_0750	OM926LA DL compr. ECE R120 24 0kW@2200rpm Stage III China



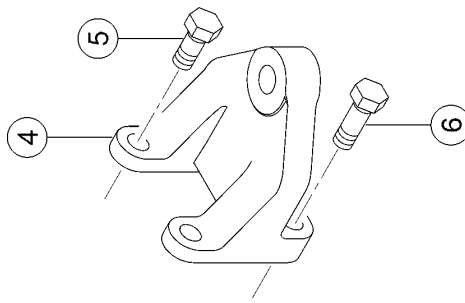
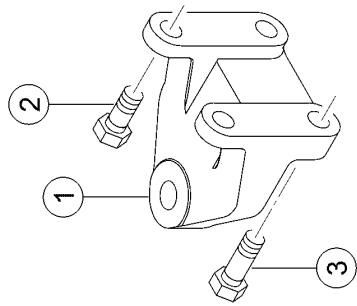
**100 ENGINE SUSPENSION 1)**

Pos.	Part No.	Description	Dimension	Quantity	Conditions
1	<b>00 0236 056 0</b>	HEXAGON HEAD BOLT	M12X25	8	
2	<b>00 0239 389 0</b>	CONTACT WASHER	A12	8	
3	<b>00 0781 340 1</b>	SUPPORT	CAT TIER3 C9 RE	1	
4	<b>00 0237 453 0</b>	HEXAGON HEAD BOLT	M10X30	1	
4	<b>00 0239 388 0</b>	CONTACT WASHER	A10-10,2X22,25X1,6	1	
4	<b>00 0236 171 0</b>	HEXAGONAL NUT	M10	1	
5	<b>00 0233 456 0</b>	HEXAGON HEAD BOLT	M12X30	12	
6	<b>00 0239 389 0</b>	CONTACT WASHER	A12	12	
7	<b>00 0773 993 1</b>	SUPPORT		1	
8	<b>00 0212 342 0</b>	HEXAGON HEAD BOLT	M20X70	2	
8	<b>00 0212 191 0</b>	CONTACT WASHER	A20	2	
8	<b>00 0237 521 0</b>	HEX.NUT	M20	2	
9	<b>00 0236 230 0</b>	HEXAGON HEAD BOLT	M16X35	6	
10	<b>00 0239 391 0</b>	CONTACT WASHER	A16	6	
11	<b>00 0781 470 7</b>	ENGINE MOUNTING	PERKINS 1506D	1	
12	<b>00 0237 453 0</b>	HEXAGON HEAD BOLT	M10X30	2	
13	<b>00 0239 388 0</b>	CONTACT WASHER	A10-10,2X22,25X1,6	2	
15	<b>00 0781 297 3</b>	SUPPORT	2X207X376,2	1	
16	<b>00 0236 200 0</b>	HEXAGON HEAD BOLT	M8X20	2	
16	<b>00 0239 387 0</b>	CONTACT WASHER	A8-8,2X18X1,4	2	
16	<b>00 0236 170 0</b>	HEXAGONAL NUT	M8	2	
17	<b>00 0734 779 0</b>	CABLE RING	C 20-35X50X2	1	

**1) Equipment**

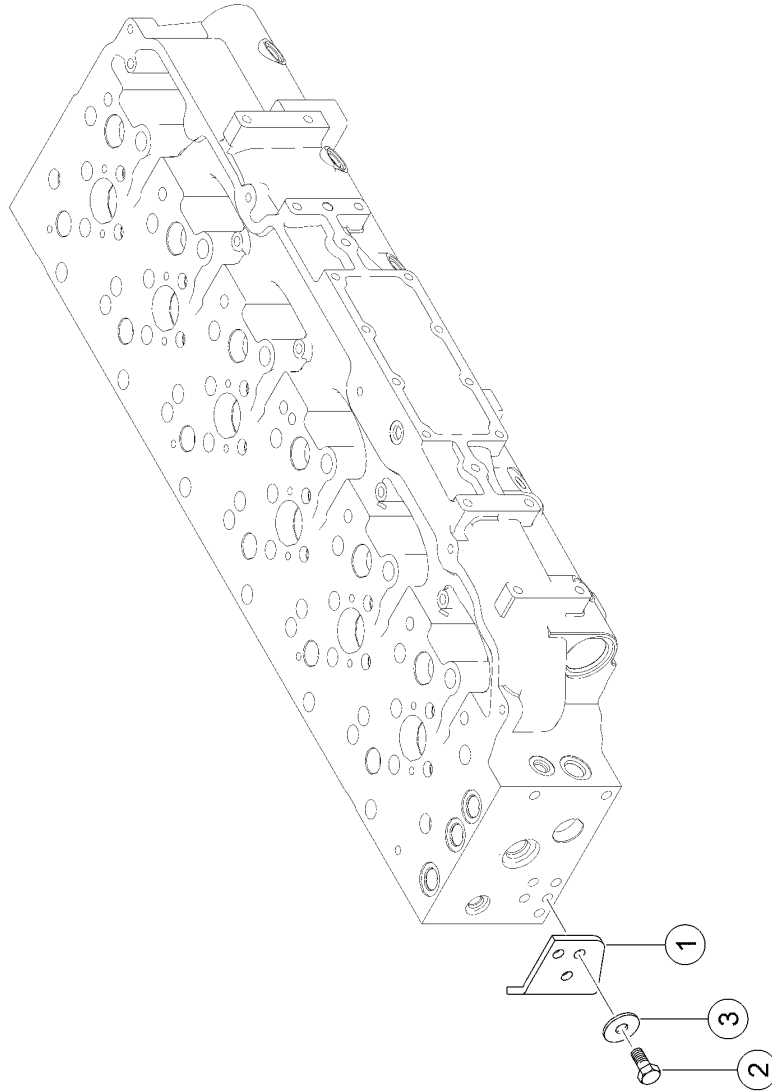
MD\_P02\_0840  
MD\_P02\_0841

Perkins 1506D ECE R120 278KW T3  
Perkins 1506D K ECE R120 278KW T3 with air compressor



**100 ENGINE SUSPENSION 1)**

Pos.	Part No.	Description	Dimension	Quantity	Conditions
1	<b>00 1987 232 0</b>	BEARING		1	
2	<b>00 1987 168 0</b>	SCREW		2	
3	<b>00 1987 169 0</b>	SCREW		2	
4	<b>00 1987 232 0</b>	BEARING		1	
5	<b>00 1987 168 0</b>	SCREW		2	
6	<b>00 1987 169 0</b>	SCREW		2	
<b>1) Equipment</b>					
		MD_P02_0840	Perkins 1506D ECE R120 278KW T3		
		MD_P02_0841	Perkins 1506D K ECE R120 278KW T3 with air compressor		



Thank you so much for reading.  
Please click the “Buy Now!”  
button below to download the  
complete manual.



After you pay.

You can download the most  
perfect and complete manual in  
the world immediately.

Our support email:

[ebooklibonline@outlook.com](mailto:ebooklibonline@outlook.com)