

**500 MAIN GEARBOX 1)**

Pos.	Part No.	Description	Dimension	Quantity	Conditions
1	<b>00 0236 172 0</b>	HEXAGONAL NUT	M12	1	
2	<b>00 0239 389 0</b>	CONTACT WASHER	A12	1	
3	<b>00 0810 117 0</b>	BUSHING	D30X20	1	
5	<b>00 0843 463 0</b>	GUARD CUP	D206X1.5	1	
6	<b>00 0239 387 0</b>	CONTACT WASHER	A8-8,2X18X1,4	3	
7	<b>00 0237 439 0</b>	HEXAGON HEAD BOLT	M8X16	3	
8	<b>00 0235 089 0</b>	SPLIT PIN	4 X 22	1	2)
9	<b>00 0608 099 0</b>	ROUND STEEL CHAIN	G 3X16-17GL	1	2)
10	<b>00 0868 298 0</b>	PROTECTIVE TUBE	D 110 X 488LG	1	3)
10	<b>00 0821 067 2</b>	PROTECTIVE TUBE	D 110 X 493LG	1	4)
11	<b>00 0237 950 1</b>	BLIND RIVET	4,8X12	4	
12	<b>00 0822 998 1</b>	LOCK		2	
13	<b>00 0822 996 0</b>	PROTECT.TUBE CPL.		1	
14	<b>00 0243 065 0</b>	CIRCLIP	130X4	1	
15	<b>00 0215 768 0</b>	GRVD.BALL BEARING	6312-2RS*	1	
16	<b>00 0843 465 0</b>	BEARING		1	
17	<b>00 0836 261 1</b>	PIN	D25X48	1	
18	<b>00 0234 238 0</b>	WASHER	26X42X1	1	
19	<b>00 0237 033 0</b>	SPLIT PIN	6,3X 40	1	

**1) Equipment**

PR\_P08\_0020

Input gearbox 1,000 rpm

**2) machine no.**

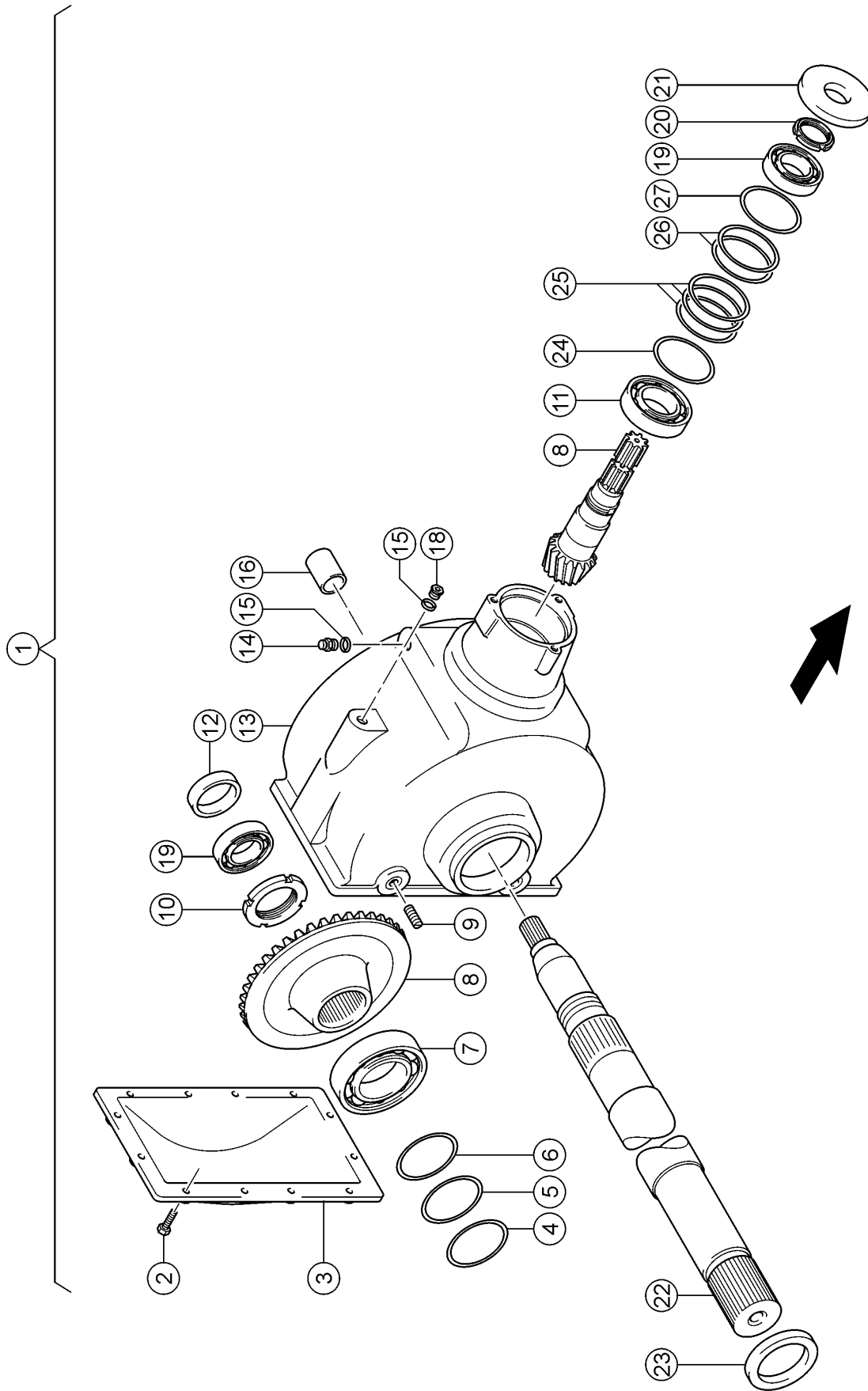
+ up to 75202898

**3) machine no.**

+ from 75204416

**4) machine no.**

+ up to 75204415



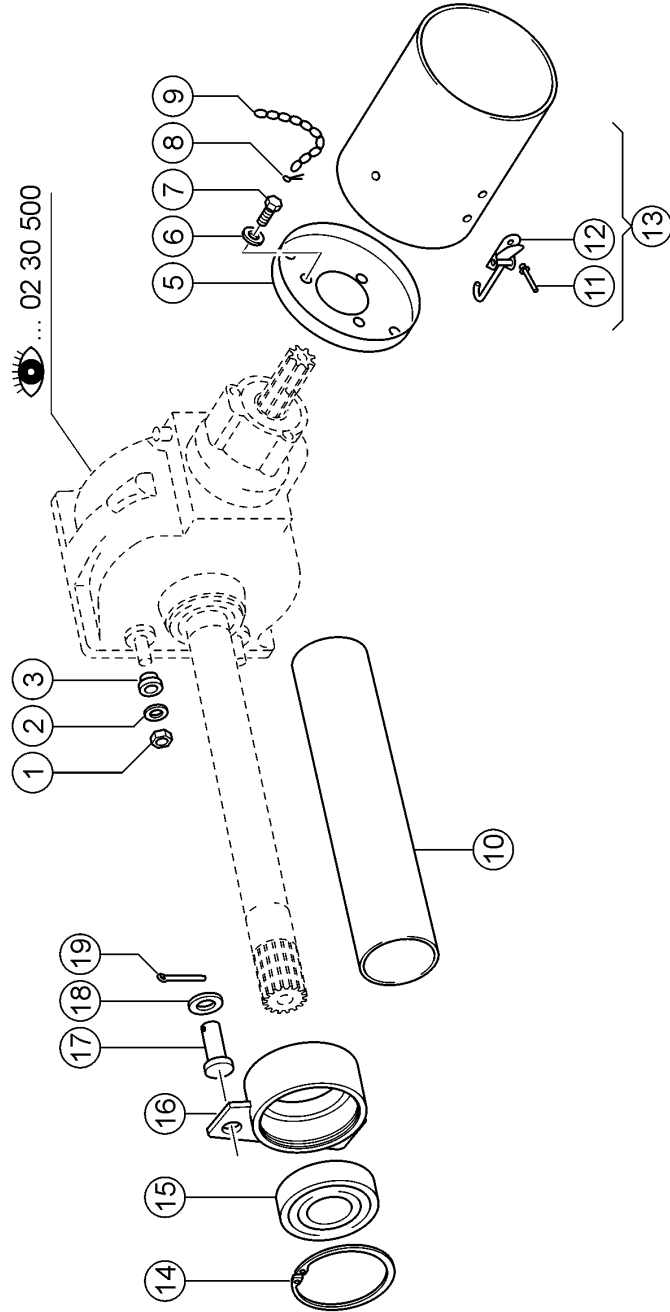
**500 MAIN GEARBOX 1)**

Pos.	Part No.	Description	Dimension	Quantity	Conditions
1	<b>00 0843 199 1</b>	GEARBOX	I=5.38 1350NM	1	
2	<b>00 0237 442 0</b>	HEXAGON HEAD BOLT	M8X25	12	
3	<b>00 0843 462 0</b>	COVER		1	
4	<b>00 0211 963 0</b>	SHIM	100X110X0,1	1	
5	<b>00 0211 964 0</b>	SHIM	100X110X0,3	1	
6	<b>00 0211 966 0</b>	SHIM	100X110X1	1	
7	<b>00 0243 661 0</b>	TA.ROLLER BEARING	30212A	1	
8	<b>00 0844 715 0</b>	BEVEL GEAR SET		1	
9	<b>00 0244 014 1</b>	STUD BOLT	M12X 45	2	
10	<b>00 0823 993 0</b>	SLOTTED NUT	M55X1,5	1	
11	<b>00 0213 768 0</b>	TA.ROLLER BEARING	313 11	1	
12	<b>00 0213 961 0</b>	SHAFT SEAL	AS 30X 55X10	1	
13	<b>00 0843 461 1</b>	HOUSING		1	
14	<b>00 0827 581 0</b>	BREATHER VALVE	1021-04-401-00	1	
15	<b>00 0238 183 0</b>	SEALING RING	A16 X20	4	
16	<b>00 0836 429 0</b>	SHAFT GUARD	EP 190/W24	1	
18	<b>00 0244 351 0</b>	SCREW PLUG	M16X1,5	3	
19	<b>00 0234 829 0</b>	TA.ROLLER BEARING	30209 J2/Q	2	
20	<b>00 0823 994 0</b>	SLOTTED NUT	M45X1,5	1	
21	<b>00 0213 766 0</b>	SHAFT SEAL	AS 40X 90X12	1	
22	<b>00 0851 341 0</b>	SHAFT		1	
23	<b>00 0211 034 0</b>	ROTARY SHAFT SEAL	AS 60X 85X 8	1	
24	<b>00 0214 181 0</b>	SHIM	110X120X0,5 ERS.D. 21418	1	
25	<b>00 0214 179 0</b>	SHIM	110X120X0,1 ERS.D. 21417	3	
26	<b>00 0214 180 0</b>	SHIM	110X120X0,3 ERS.D. 21418	2	
27	<b>00 0214 182 0</b>	SHIM	110X120X1,0 ERS.D.214182	1	

**1) Equipment**

PR\_P08\_0020

Input gearbox 1,000 rpm



**500 MAIN GEARBOX 1)**

Pos.	Part No.	Description	Dimension	Quantity	Conditions
1	<b>00 0236 172 0</b>	HEXAGONAL NUT	M12	1	
2	<b>00 0239 389 0</b>	CONTACT WASHER	A12	1	
3	<b>00 0810 117 0</b>	BUSHING	D30X20	1	
5	<b>00 0843 463 0</b>	GUARD CUP	D206X1.5	1	
6	<b>00 0239 387 0</b>	CONTACT WASHER	A8-8,2X18X1,4	3	
7	<b>00 0237 439 0</b>	HEXAGON HEAD BOLT	M8X16	3	
8	<b>00 0235 089 0</b>	SPLIT PIN	4 X 22	1	2)
9	<b>00 0608 099 0</b>	ROUND STEEL CHAIN	G 3X16-17GL	1	2)
10	<b>00 0821 067 2</b>	PROTECTIVE TUBE	D 110 X 493LG	1	
11	<b>00 0237 950 1</b>	BLIND RIVET	4,8X12	4	
12	<b>00 0822 998 1</b>	LOCK		2	
13	<b>00 0822 996 0</b>	PROTECT.TUBE CPL.		1	
14	<b>00 0243 065 0</b>	CIRCLIP	130X4	1	
15	<b>00 0215 768 0</b>	GRVD.BALL BEARING	6312-2RS*	1	
16	<b>00 0843 465 0</b>	BEARING		1	
17	<b>00 0836 261 1</b>	PIN	D25X48	1	
18	<b>00 0234 238 0</b>	WASHER	26X42X1	1	
19	<b>00 0237 033 0</b>	SPLIT PIN	6,3X 40	1	

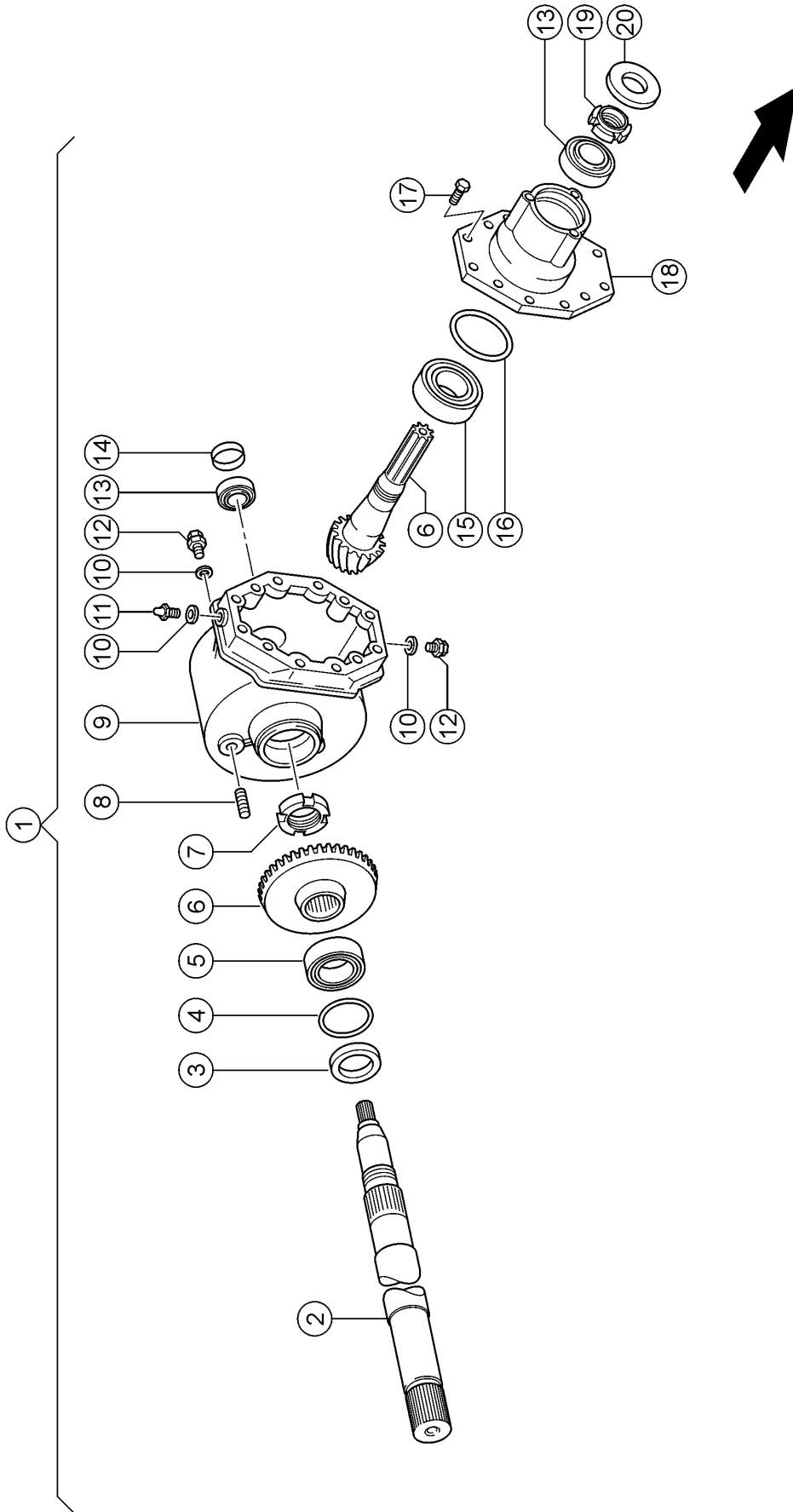
**1) Equipment**

PR\_P08\_0010

Input gearbox 540 rpm

**2) machine no.**

+ up to 75202898



E0490 0230A500B 2

**500 MAIN GEARBOX 1)**

Pos.	Part No.	Description	Dimension	Quantity	Conditions
1	<b>00 0843 460 1</b>	GEARBOX	I=2,89	1	
2	<b>00 0851 341 0</b>	SHAFT		1	
3	<b>00 0211 034 0</b>	ROTARY SHAFT SEAL	AS 60X 85X 8	1	
4	<b>00 0213 765 0</b>	SHIM	85X 95X0,5	1	2)
4	<b>00 0213 764 0</b>	SHIM	85X 95X0,3	1	2)
4	<b>00 0213 962 0</b>	SHIM	85X 95X0,1	1	2)
5	<b>00 0212 210 0</b>	TA.ROLLER BEARING	330 12	1	
6	<b>00 0823 942 0</b>	BEVEL GEAR SET	I=2,88	1	
7	<b>00 0823 993 0</b>	SLOTTED NUT	M55X1,5	1	
8	<b>00 0244 014 1</b>	STUD BOLT	M12X 45	2	
9	<b>00 0844 564 0</b>	HOUSING		1	
10	<b>00 0238 183 0</b>	SEALING RING	A16 X20	4	
11	<b>00 0940 866 0</b>	BREATHER VALVE	M 16X1,5 M. SPRITZROHR	1	
12	<b>00 0244 351 0</b>	SCREW PLUG	M16X1,5	3	
13	<b>00 0234 829 0</b>	TA.ROLLER BEARING	30209 J2/Q	2	
14	<b>00 0213 961 0</b>	SHAFT SEAL	AS 30X 55X10	1	
15	<b>00 0243 686 0</b>	TA.ROLLER BEARING	30311A - 55X120X31,5	1	
16	<b>00 0214 179 0</b>	SHIM	110X120X0,1 ERS.D. 21417	1	2)
16	<b>00 0214 180 0</b>	SHIM	110X120X0,3 ERS.D. 21418	1	2)
16	<b>00 0214 181 0</b>	SHIM	110X120X0,5 ERS.D. 21418	1	2)
17	<b>00 0237 572 0</b>	HEXAGON HEAD BOLT	M12X35	12	
18	<b>00 0844 565 0</b>	BEARING HOUSING		1	
19	<b>00 0823 994 0</b>	SLOTTED NUT	M45X1,5	1	
20	<b>00 0213 766 0</b>	SHAFT SEAL	AS 40X 90X12	1	
<b>1)</b>	<b>Equipment</b>	PR_P08_0010	Input gearbox 540 rpm		
<b>2)</b>	<b>Remarks</b>		as required		





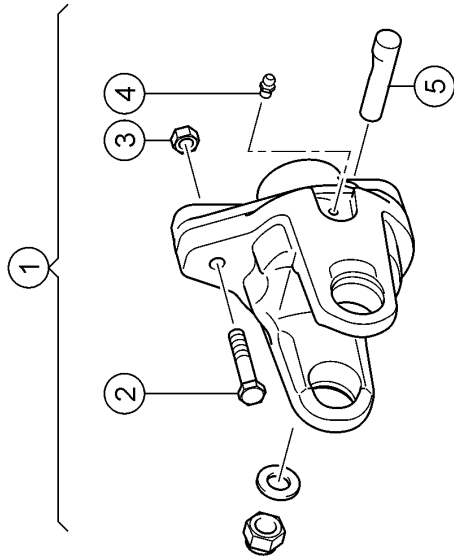
**100 DRIVE SHAFT, MAIN DRIVE 1)**

Pos.	Part No.	Description	Dimension	Quantity	Conditions
1	<b>00 0843 750 0</b>	DRIVE SHAFT ASSY.		1	
3	<b>00 0843 764 0</b>	FORK		1	
4	<b>00 0843 765 0</b>	CENTRE CROSS ASS.		2	
5	<b>00 0843 767 0</b>	FORK		1	
6	<b>00 0843 766 0</b>	INNER FORK		1	
7	<b>00 0234 862 0</b>	SPRING PIN	10 X100	1	
8	<b>00 0843 768 0</b>	TUBE		1	
9	<b>00 0843 762 0</b>	GUARD HALF		1	
10	<b>00 0844 557 0</b>	RING		1	
11	<b>00 0844 558 0</b>	RING		1	
16	<b>00 0244 579 0</b>	SPRING PIN	10X65	1	
17	<b>00 0843 773 0</b>	TUBE		1	
18	<b>00 0843 772 0</b>	FORK		1	
19	<b>00 0843 771 0</b>	CENTRE CROSS ASS.		1	
20	<b>00 0843 769 0</b>	SHEAR BOLT CLUTCH		1	
25	<b>00 0843 763 0</b>	GUARD HALF		1	
26	<b>00 0836 346 0</b>	RING		1	

**1) Equipment**

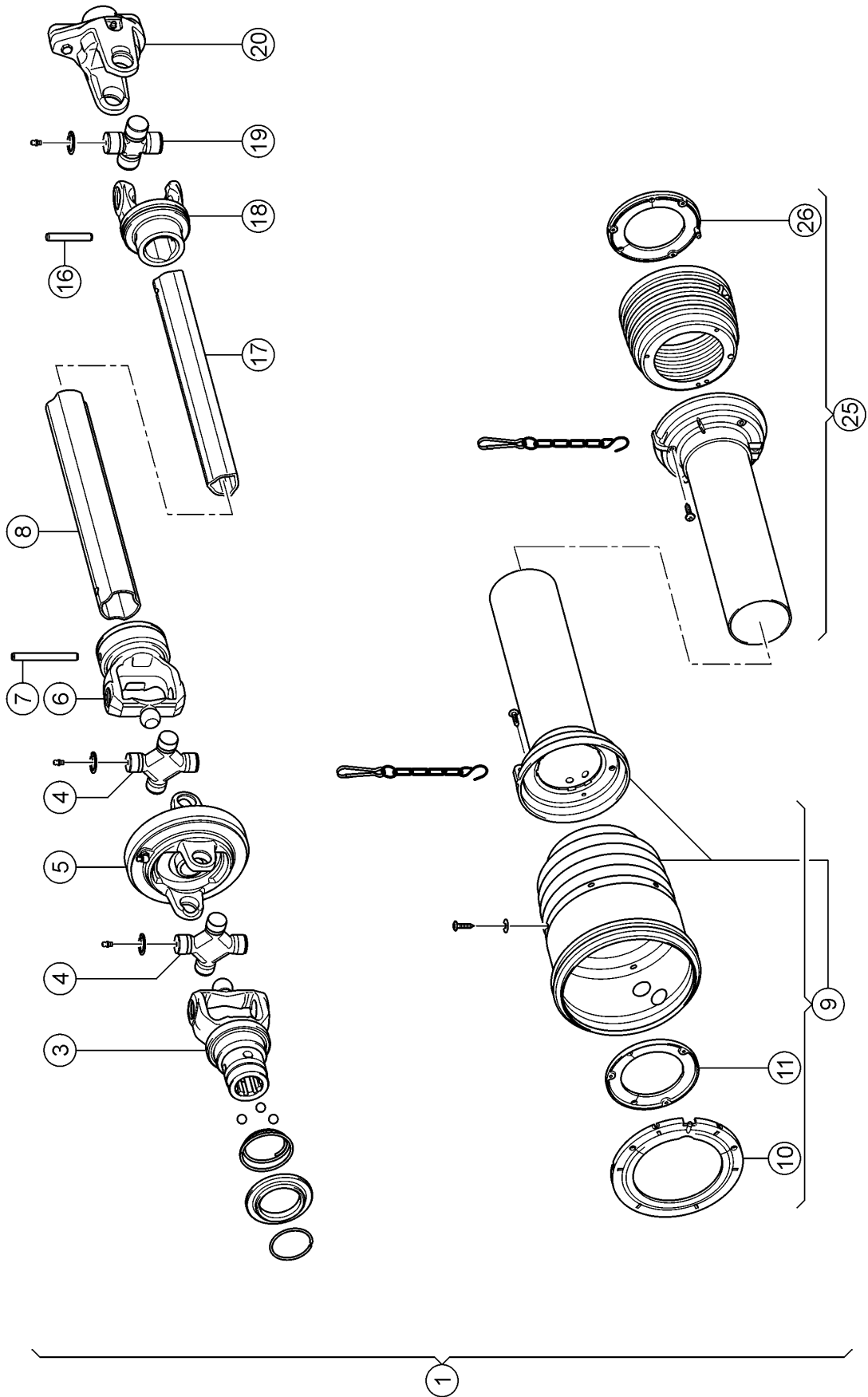
PR\_M04\_0010

Single wide-angle PTO drive shaft with shearbolt, 6 splines



**100 DRIVE SHAFT, MAIN DRIVE 1)**

Pos.	Part No.	Description	Dimension	Quantity	Conditions
1	<b>00 0843 769 0</b>	SHEAR BOLT CLUTCH		1	
2	<b>00 0237 341 0</b>	HEXAGON HEAD BOLT	M08X45	1	
3	<b>00 0238 132 0</b>	LOCK NUT	M8	1	
4	<b>00 0236 942 0</b>	GREASE NIPPLE	A S6X1	1	
5	<b>00 0843 770 0</b>	CLAMPING SCREW	1-3/8"Z6-Z21	1	
<hr/>					
<b>1)</b>	<b>Equipment</b>	PR_M04_0010	Single wide-angle PTO drive shaft with shearbolt, 6 splines		



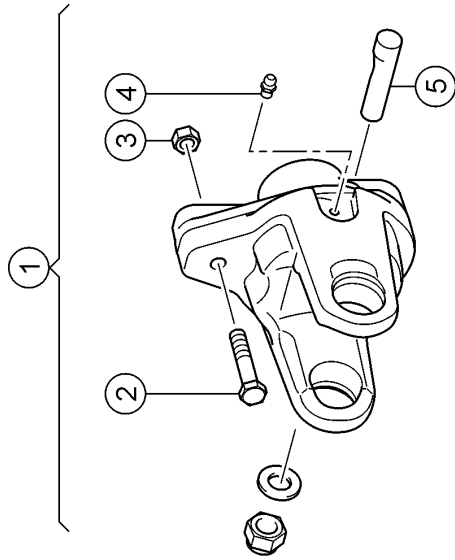
**100 DRIVE SHAFT, MAIN DRIVE 1)**

Pos.	Part No.	Description	Dimension	Quantity	Conditions
1	<b>00 0843 751 0</b>	DRIVE SHAFT ASSY.		1	
3	<b>00 0843 775 0</b>	FORK		1	
4	<b>00 0843 765 0</b>	CENTRE CROSS ASS.		2	
5	<b>00 0843 767 0</b>	FORK		1	
6	<b>00 0843 766 0</b>	INNER FORK		1	
7	<b>00 0234 862 0</b>	SPRING PIN	10 X100	1	
8	<b>00 0843 768 0</b>	TUBE		1	
9	<b>00 0843 762 0</b>	GUARD HALF		1	
10	<b>00 0844 557 0</b>	RING		1	
11	<b>00 0844 558 0</b>	RING		1	
16	<b>00 0244 579 0</b>	SPRING PIN	10X65	1	
17	<b>00 0843 773 0</b>	TUBE		1	
18	<b>00 0843 772 0</b>	FORK		1	
19	<b>00 0843 771 0</b>	CENTRE CROSS ASS.		1	
20	<b>00 0843 769 0</b>	SHEAR BOLT CLUTCH		1	
25	<b>00 0843 763 0</b>	GUARD HALF		1	
26	<b>00 0836 346 0</b>	RING		1	

**1) Equipment**

PR\_M04\_0020

Single wide-angle universal drive shaft with shearbolt



Thank you so much for reading.  
Please click the “Buy Now!”  
button below to download the  
complete manual.



After you pay.

You can download the most  
perfect and complete manual in  
the world immediately.

Our support email:

[ebooklibonline@outlook.com](mailto:ebooklibonline@outlook.com)