

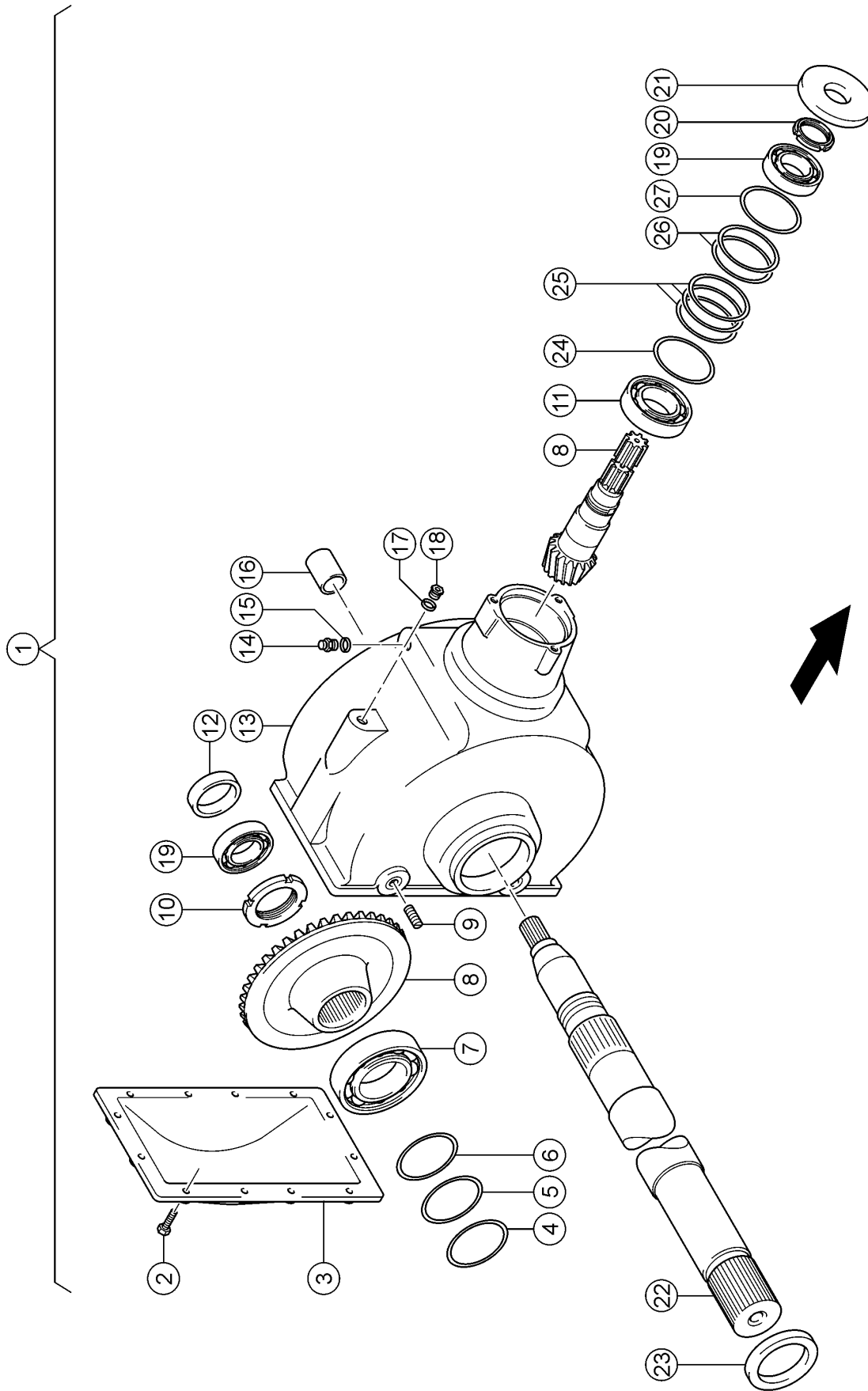
500 MAIN GEARBOX 1)

Pos.	Part No.	Description	Dimension	Quantity	Conditions
1	00 0236 172 0	HEXAGONAL NUT	M12	1	
2	00 0239 389 0	CONTACT WASHER	A12	1	
3	00 0810 117 0	BUSHING	D30X20	1	
5	00 0843 463 0	GUARD CUP	D206X1.5	1	
6	00 0239 387 0	CONTACT WASHER	A8-8,2X18X1,4	3	
7	00 0237 439 0	HEXAGON HEAD BOLT	M8X16	3	
10	00 0868 298 0	PROTECTIVE TUBE	D 110 X 488LG	1	
11	00 0237 950 1	BLIND RIVET	4,8X12	1	
12	00 0822 998 1	LOCK		1	
13	00 0822 996 0	PROTECT.TUBE CPL.		1	
14	00 0243 065 0	CIRCLIP	130X4	1	
15	00 0215 768 0	GRVD.BALL BEARING	6312-2RS*	1	
16	00 0843 465 0	BEARING		1	
17	00 0836 261 1	PIN	D25X48	1	
18	00 0234 238 0	WASHER	26X42X1	1	
19	00 0237 033 0	SPLIT PIN	6,3X 40	1	

1) Equipment

PR_P08_0020

Input gearbox 1,000 rpm



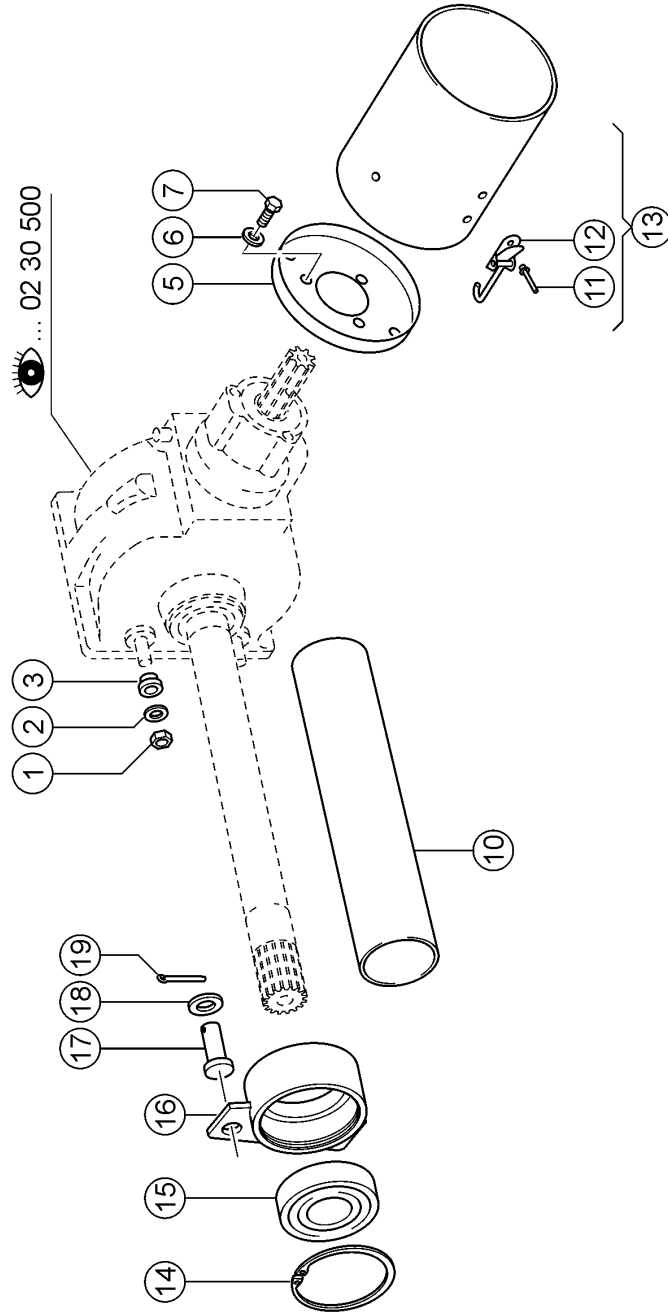
500 MAIN GEARBOX 1)

Pos.	Part No.	Description	Dimension	Quantity	Conditions
1	00 0843 199 1	GEARBOX	I=5.38 1350NM	1	
2	00 0237 442 0	HEXAGON HEAD BOLT	M8X25	12	
3	00 0843 462 0	COVER		1	
4	00 0211 963 0	SHIM	100X110X0,1	1	
5	00 0211 964 0	SHIM	100X110X0,3	1	
6	00 0211 966 0	SHIM	100X110X1	1	
7	00 0243 661 0	TA.ROLLER BEARING	30212A	1	
8	00 0844 715 0	BEVEL GEAR SET		1	
9	00 0244 014 1	STUD BOLT	M12X 45	2	
10	00 0823 993 0	SLOTTED NUT	M55X1,5	1	
11	00 0213 768 0	TA.ROLLER BEARING	313 11	1	
12	00 0213 961 0	SHAFT SEAL	AS 30X 55X10	1	
13	00 0843 461 1	HOUSING		1	
14	00 0827 581 0	BREATHER VALVE	1021-04-401-00	1	
15	00 0238 183 0	SEALING RING	A16 X20	4	
16	00 0836 429 0	SHAFT GUARD	EP 190/W24	1	
17	00 0238 183 0	SEALING RING	A16 X20	1	
18	00 0244 351 0	SCREW PLUG	M16X1,5	3	
19	00 0234 829 0	TA.ROLLER BEARING	30209 J2/Q	2	
20	00 0823 994 0	SLOTTED NUT	M45X1,5	1	
21	00 0213 766 0	SHAFT SEAL	AS 40X 90X12	1	
22	00 0851 341 0	SHAFT		1	
23	00 0211 034 0	ROTARY SHAFT SEAL	AS 60X 85X 8	1	
24	00 0214 181 0	SHIM	110X120X0,5 ERS.D. 21418	1	
25	00 0214 179 0	SHIM	110X120X0,1 ERS.D. 21417	3	
26	00 0214 180 0	SHIM	110X120X0,3 ERS.D. 21418	2	
27	00 0214 181 0	SHIM	110X120X0,5 ERS.D. 21418	1	

1) Equipment

PR_P08_0020

Input gearbox 1,000 rpm



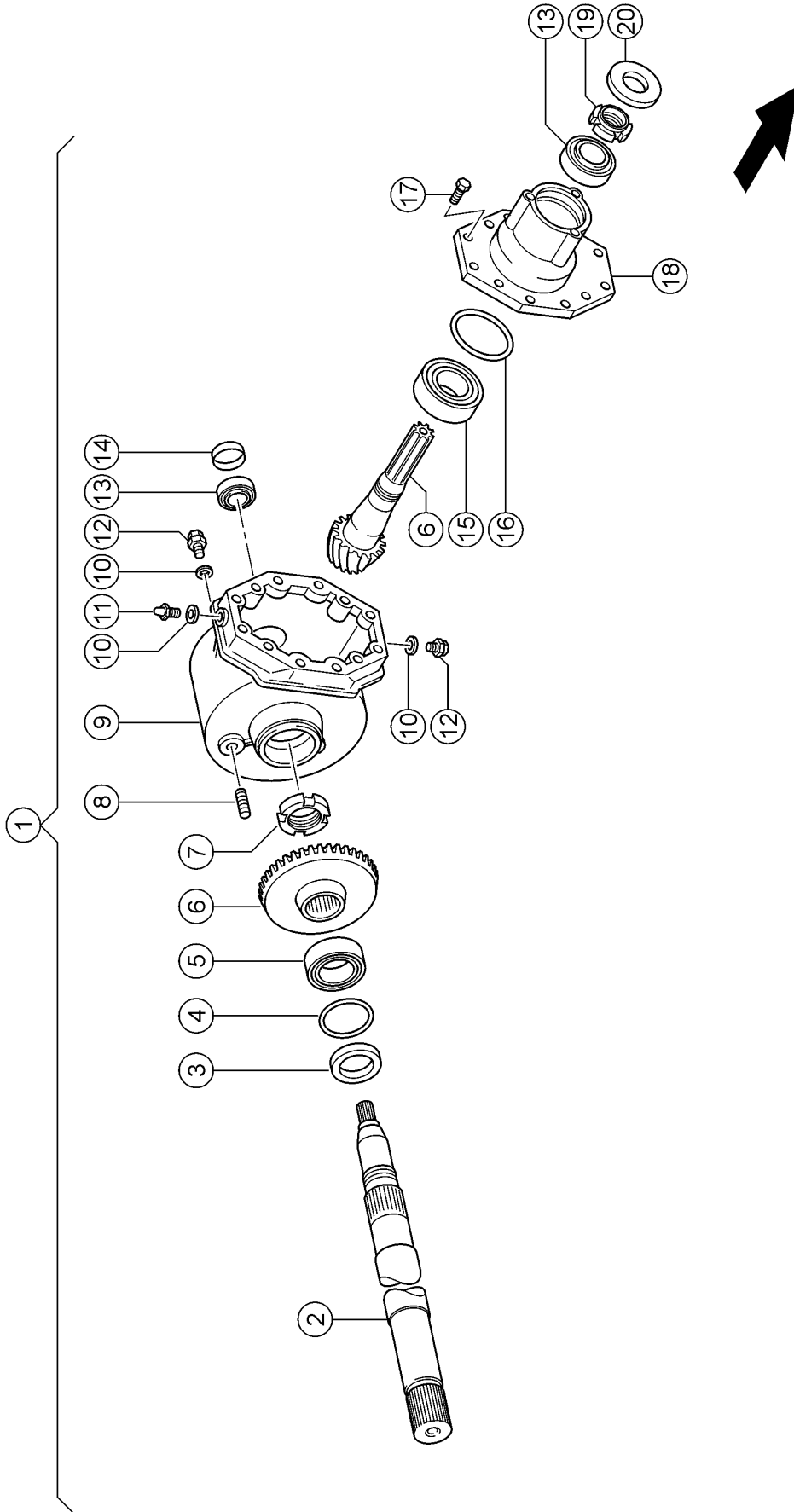
500 MAIN GEARBOX 1)

Pos.	Part No.	Description	Dimension	Quantity	Conditions
1	00 0236 172 0	HEXAGONAL NUT	M12	1	
2	00 0239 389 0	CONTACT WASHER	A12	1	
3	00 0810 117 0	BUSHING	D30X20	1	
5	00 0843 463 0	GUARD CUP	D206X1.5	1	
6	00 0239 387 0	CONTACT WASHER	A8-8,2X18X1,4	3	
7	00 0237 439 0	HEXAGON HEAD BOLT	M8X16	3	
10	00 0868 298 0	PROTECTIVE TUBE	D 110 X 488LG	1	
11	00 0237 950 1	BLIND RIVET	4,8X12	1	
12	00 0822 998 1	LOCK		1	
13	00 0822 996 0	PROTECT.TUBE CPL.		1	
14	00 0243 065 0	CIRCLIP	130X4	1	
15	00 0215 768 0	GRVD.BALL BEARING	6312-2RS*	1	
16	00 0843 465 0	BEARING		1	
17	00 0836 261 1	PIN	D25X48	1	
18	00 0234 238 0	WASHER	26X42X1	1	
19	00 0237 033 0	SPLIT PIN	6,3X 40	1	

1) Equipment

PR_P08_0010

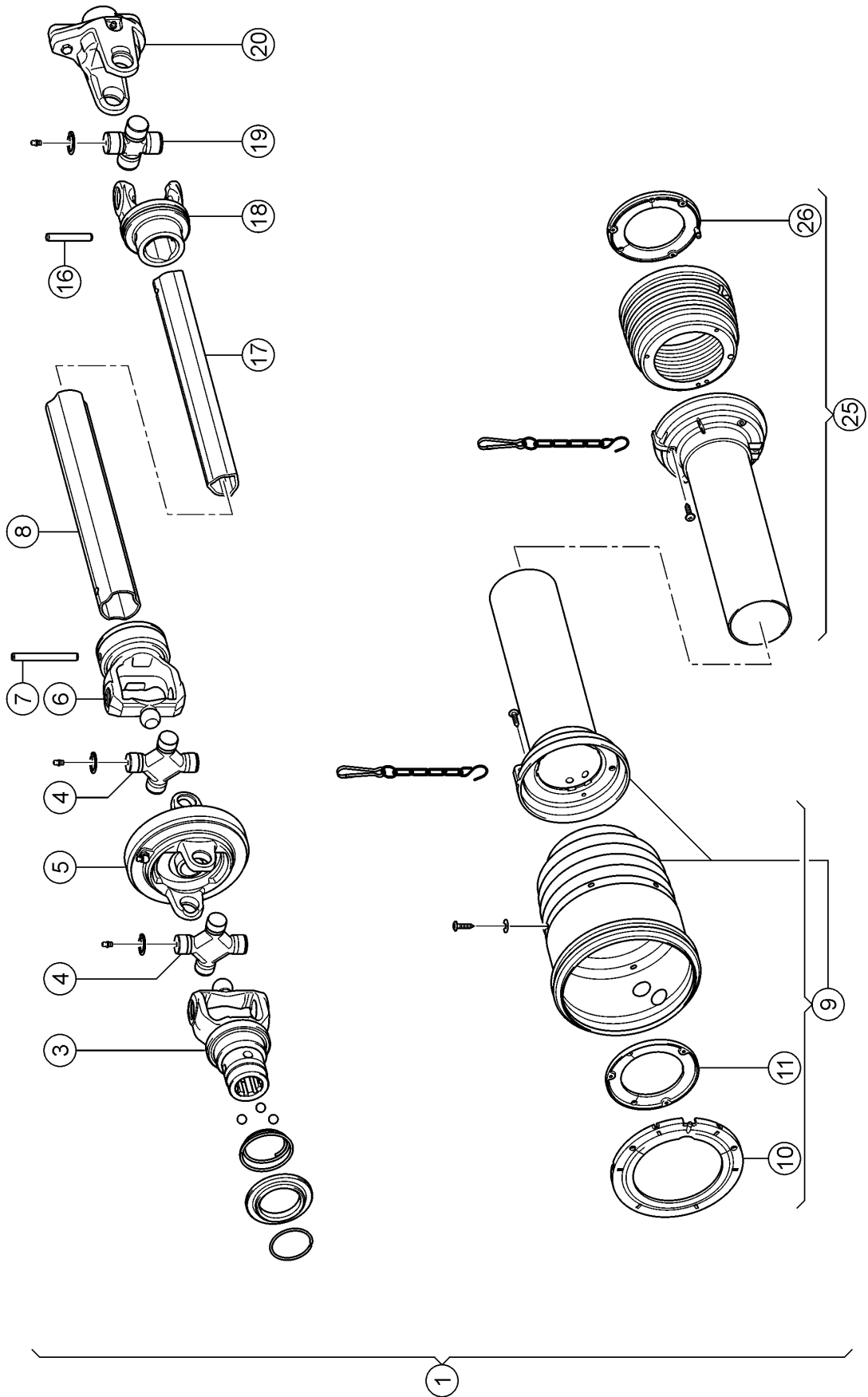
Input gearbox 540 rpm



E0511 0230A500B 2

500 MAIN GEARBOX 1)

Pos.	Part No.	Description	Dimension	Quantity	Conditions
1	00 0843 460 1	GEARBOX	I=2,89	1	
2	00 0851 341 0	SHAFT		1	
3	00 0211 034 0	ROTARY SHAFT SEAL	AS 60X 85X 8	1	
4	00 0213 765 0	SHIM	85X 95X0,5	1	2)
4	00 0213 764 0	SHIM	85X 95X0,3	1	2)
4	00 0213 962 0	SHIM	85X 95X0,1	1	2)
5	00 0212 210 0	TA.ROLLER BEARING	330 12	1	
6	00 0823 942 0	BEVEL GEAR SET	I=2,88	1	
7	00 0823 993 0	SLOTTED NUT	M55X1,5	1	
8	00 0244 014 1	STUD BOLT	M12X 45	2	
9	00 0844 564 0	HOUSING		1	
10	00 0238 183 0	SEALING RING	A16 X20	4	
11	00 0940 866 0	BREATHER VALVE	M 16X1,5 M. SPRITZROHR	1	
12	00 0244 351 0	SCREW PLUG	M16X1,5	3	
13	00 0234 829 0	TA.ROLLER BEARING	30209 J2/Q	2	
14	00 0213 961 0	SHAFT SEAL	AS 30X 55X10	1	
15	00 0243 686 0	TA.ROLLER BEARING	30311A - 55X120X31,5	1	
16	00 0214 179 0	SHIM	110X120X0,1 ERS.D. 21417	1	2)
16	00 0214 180 0	SHIM	110X120X0,3 ERS.D. 21418	1	2)
16	00 0214 181 0	SHIM	110X120X0,5 ERS.D. 21418	1	2)
17	00 0237 572 0	HEXAGON HEAD BOLT	M12X35	12	
18	00 0844 565 0	BEARING HOUSING		1	
19	00 0823 994 0	SLOTTED NUT	M45X1,5	1	
20	00 0213 766 0	SHAFT SEAL	AS 40X 90X12	1	
1)	Equipment	PR_P08_0010	Input gearbox 540 rpm		
2)	Remarks		as required		



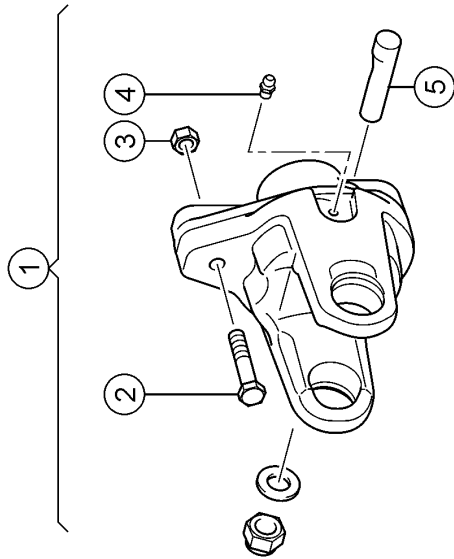
100 DRIVE SHAFT, MAIN DRIVE 1)

Pos.	Part No.	Description	Dimension	Quantity	Conditions
1	00 0843 750 0	DRIVE SHAFT ASSY.		1	
3	00 0843 764 0	FORK		1	
4	00 0139 080 0	CENTRE CROSS ASS.		2	
5	00 0843 767 0	FORK		1	
6	00 0843 766 0	INNER FORK		1	
7	00 0234 862 0	SPRING PIN	10 X100	1	
8	00 0843 768 0	TUBE		1	
9	00 0866 429 0	GUARD		1	
10	00 0844 557 0	RING		1	
11	00 0138 198 0	RING		1	
16	00 0244 579 0	SPRING PIN	10X65	1	
17	00 0843 773 0	TUBE		1	
18	00 0843 772 0	FORK		1	
19	00 0138 065 0	CENTRE CROSS ASS.		1	
20	00 0843 769 0	SHEAR BOLT CLUTCH		1	
25	00 0866 429 0	GUARD		1	
26	00 0836 346 0	RING		1	

1) Equipment

PR_M04_0010

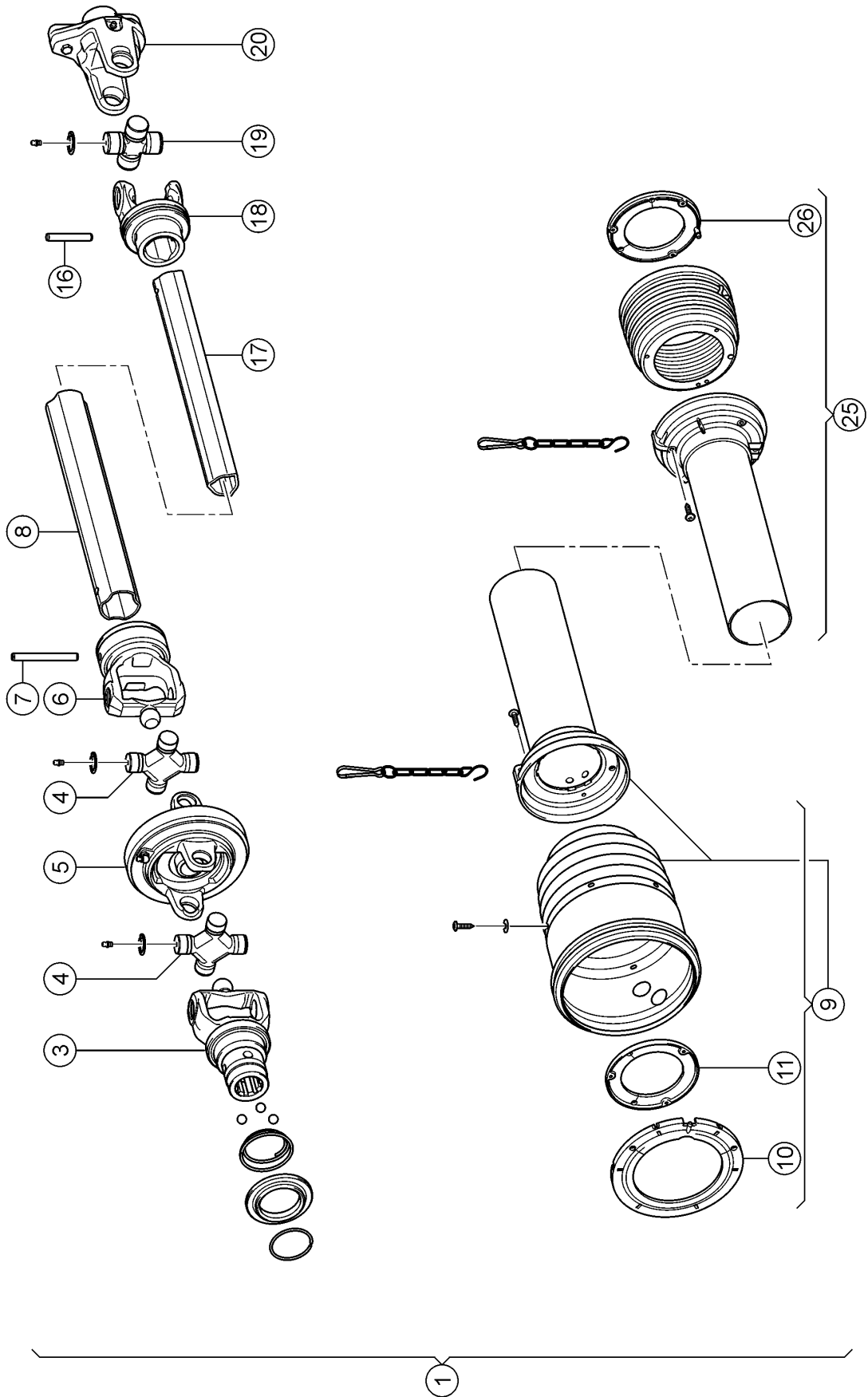
Single wide-angle PTO drive shaft with shearbolt, 6 splines



100 DRIVE SHAFT, MAIN DRIVE 1)

Pos.	Part No.	Description	Dimension	Quantity	Conditions
1	00 0843 769 0	SHEAR BOLT CLUTCH		1	
2	00 0237 341 0	HEXAGON HEAD BOLT	M08X45	1	
3	00 0238 132 0	LOCK NUT	M8	1	
4	00 0236 942 0	GREASE NIPPLE	A S6X1	1	
5	00 0843 770 0	CLAMPING SCREW	1-3/8"Z6-Z21	1	

1) Equipment	PR_M04_0010	Single wide-angle PTO drive shaft with shearbolt, 6 splines
---------------------	-------------	-------------------------------------------------------------



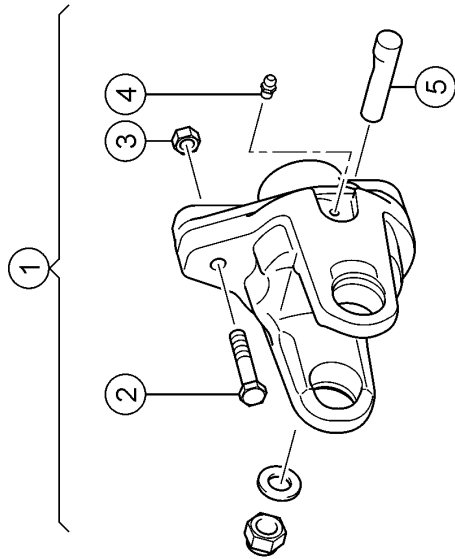
100 DRIVE SHAFT, MAIN DRIVE 1)

Pos.	Part No.	Description	Dimension	Quantity	Conditions
1	00 0843 751 0	DRIVE SHAFT ASSY.		1	
3	00 0843 775 0	FORK		1	
4	00 0139 080 0	CENTRE CROSS ASS.		2	
5	00 0843 767 0	FORK		1	
6	00 0843 766 0	INNER FORK		1	
7	00 0234 862 0	SPRING PIN	10 X100	1	
8	00 0843 768 0	TUBE		1	
9	00 0866 429 0	GUARD		1	
10	00 0844 557 0	RING		1	
11	00 0138 198 0	RING		1	
16	00 0244 579 0	SPRING PIN	10X65	1	
17	00 0843 773 0	TUBE		1	
18	00 0843 772 0	FORK		1	
19	00 0138 065 0	CENTRE CROSS ASS.		1	
20	00 0843 769 0	SHEAR BOLT CLUTCH		1	
25	00 0866 429 0	GUARD		1	
26	00 0836 346 0	RING		1	

1) Equipment

PR_M04_0020

Single wide-angle universal drive shaft with shearbolt



Thank you so much for reading.
Please click the “Buy Now!”
button below to download the
complete manual.



After you pay.

You can download the most
perfect and complete manual in
the world immediately.

Our support email:

ebooklibonline@outlook.com