



Service Repair Manual

Models

24M Motor Grader

Product: MOTOR GRADER

Model: 24M MOTOR GRADER B93

Configuration: 24M Motor Grader B9300001-UP (MACHINE) POWERED BY C18 Engine

Disassembly and Assembly 24M Motor Grader Machine Systems

Media Number -UENR3490-00

Publication Date -01/06/2013

Date Updated -10/06/2013

i07080592

Piston Pump (Implement) - Disassemble

SMCS - 5070-015-II; 5084-015-QP

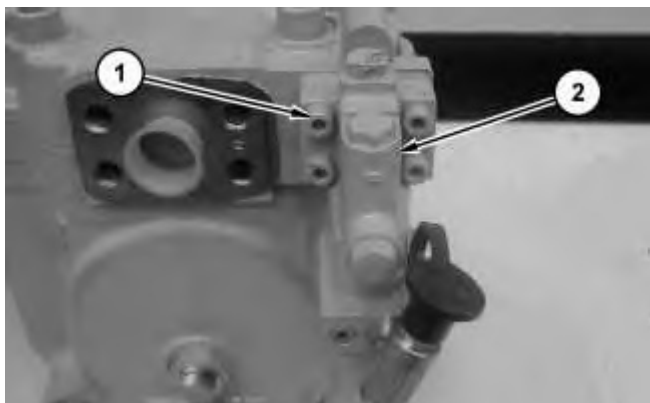
Disassembly Procedure

Table 1

Required Tools			
Tool	Part Number	Part Description	Qty
A	1P-0510	Driver Gp	1
B	1P-1857	Retaining Ring Pliers	1
C	1P-1861	Retaining Ring Pliers	1

Start By:

- a. Remove the piston pump. Refer to Disassembly and Assembly, "Piston Pump (Implement) - Remove".



1. Remove bolts (1) and valve (2).

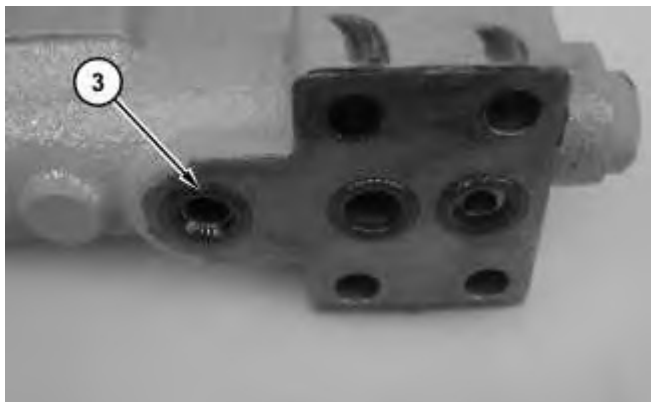


Illustration 2

2. Remove O-ring seals (3).

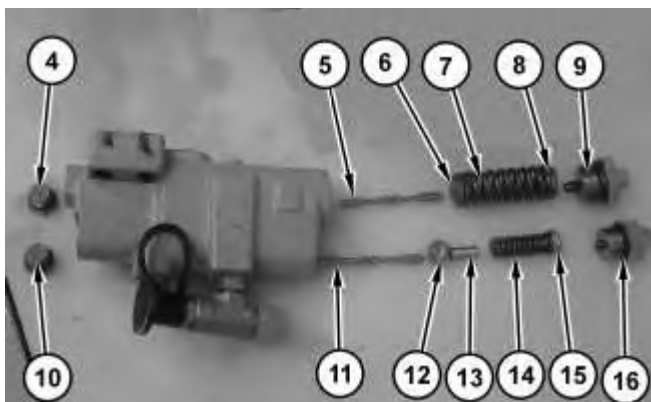


Illustration 3



Personal injury can result from being struck by parts propelled by a released spring force.

Make sure to wear all necessary protective equipment.

Follow the recommended procedure and use all recommended tooling to release the spring force.

-
3. Remove plug (9), the O-ring seal, retainer (8), spring (7), retainer (6), spool (5), plug (4), and the O-ring seal.

4. Remove plug (16), the O-ring seal, retainer (15), spring (14), rod (13), retainer (12), spool (11), plug (10), and the O-ring seal.

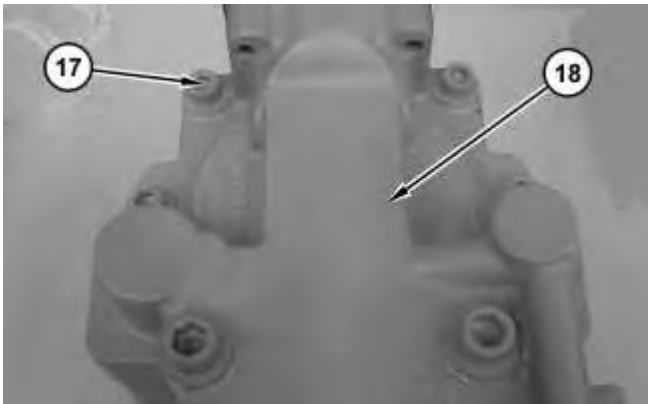


Illustration 4

g01329902



Personal injury can result from being struck by parts propelled by a released spring force.

Make sure to wear all necessary protective equipment.

Follow the recommended procedure and use all recommended tooling to release the spring force.

5. Remove bolts (17) and head (18).

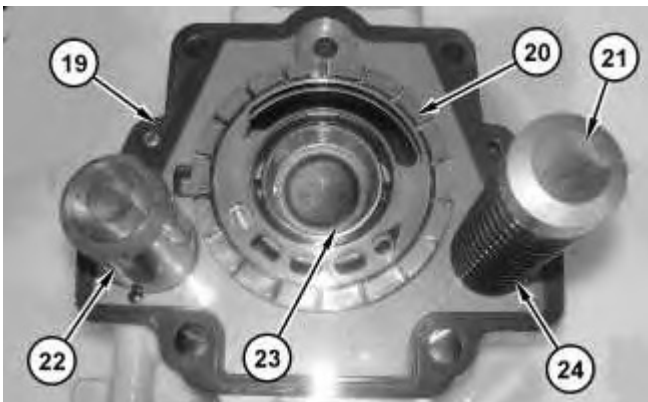


Illustration 5

g01329908

6. Remove piston (22), piston (21), spring (24), gasket (19), port plate (20), and bearing cup (23).
-



Illustration 6

g01329909

7. Remove bearing cone (25).

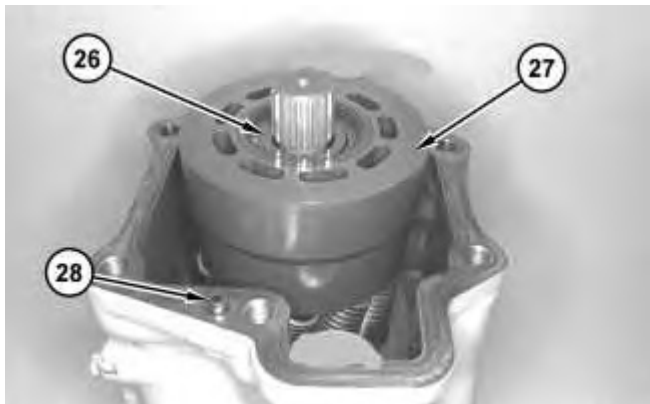


Illustration 7

g01329910

8. Remove shim (26), barrel (27), and dowel (28).

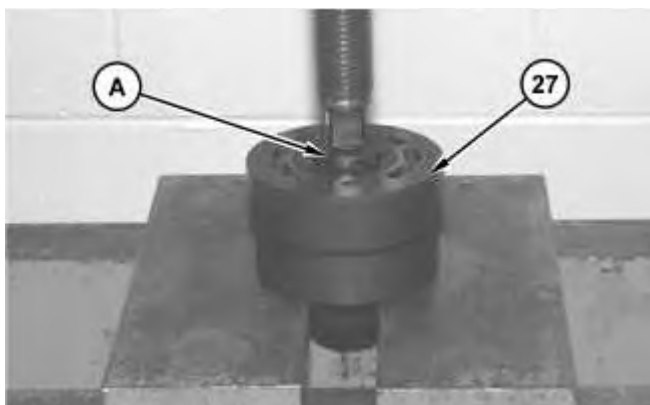


Illustration 8

g01329911

Thank you so much for reading.
Please click the “Buy Now!”
button below to download the
complete manual.



After you pay.

You can download the most
perfect and complete manual in
the world immediately.

Our support email:

ebooklibonline@outlook.com