



Service Repair Manual

Models

314D CR and 314D LCR
Excavator

Product: EXCAVATOR

Model: 314D CR EXCAVATOR WLN

Configuration: 314D CR & 314D LCR Excavator WLN00001-UP (MACHINE) POWERED BY C4.2 Engine

Disassembly and Assembly C4.2 Engine for Caterpillar Built Machines

Media Number -KENR8105-04

Publication Date -01/06/2013

Date Updated -12/06/2013

i02742697

Flywheel Housing - Remove and Install

SMCS - 1157-010

Removal Procedure

Table 1

Required Tools			
Tool	Part Number	Part Description	Qty
A	138-7575	Link Bracket	1
B	1P-0510	Driver Group	1

Start By:

- a. Remove the electric starting motor. Refer to Disassembly and Assembly, "Electric Starting Motor- Remove and Install".
- b. Remove the flywheel and ring gear. Refer to Disassembly and Assembly, "Flywheel - Remove".

NOTICE

Keep all parts clean from contaminants.

Contaminants may cause rapid wear and shortened component life.

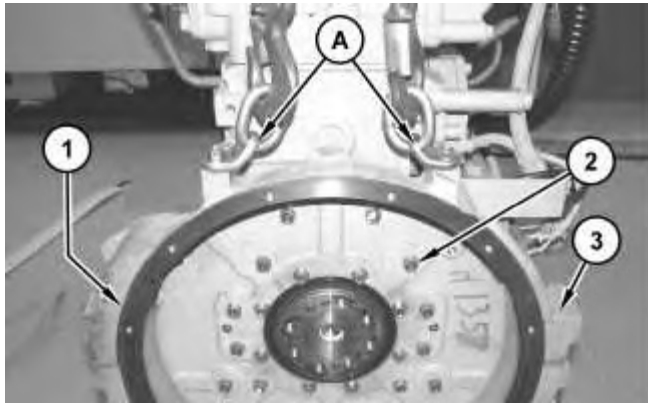


Illustration 1

g01374571

1. Install Tooling (A), and a suitable lifting device onto flywheel housing (3).
2. Remove bolts (2) and the washers that secure flywheel housing (3) to the cylinder block.
3. Remove flywheel housing (3). The weight of flywheel (3) is approximately 29 kg (65 lb).
4. Remove gasket (1) (not shown).

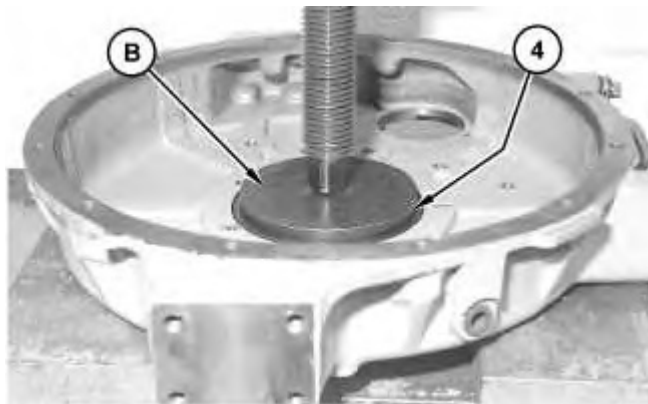


Illustration 2

g01374572

5. Use Tooling (B) in order to remove the oil seal (4) (not shown).

Installation Procedure

Table 2

Required Tools			
Tool	Part Number	Part Description	Qty
A	138-7575	Link Bracket	1
B	1P-0510	Driver Group	1

NOTICE

Keep all parts clean from contaminants.

Contaminants may cause rapid wear and shortened component life.

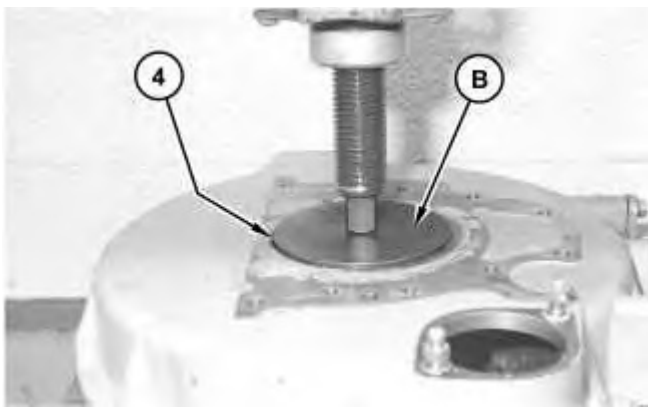


Illustration 3

g01374614

1. Use Tooling (B) in order to install the oil seal (4) (not shown).

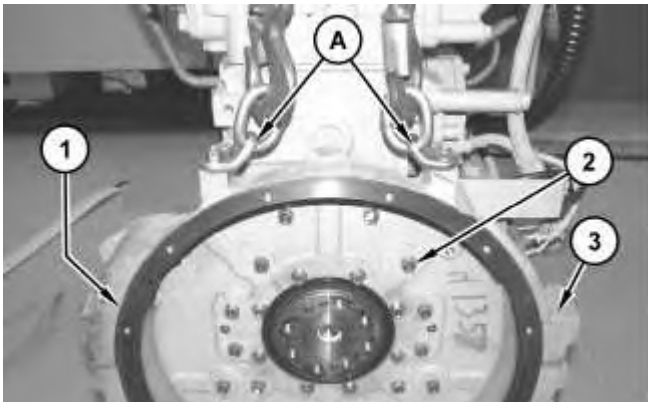


Illustration 4

g01374571

2. Check the condition of two dowels (not shown). If dowels are damaged, use new parts for replacement.
3. Clean old gasket (1) (not shown) from the mating surfaces of the cylinder block and the flywheel housing. Install a new gasket on the cylinder block.
4. Place flywheel housing (3) in position on the cylinder block.
5. Install the washers and bolts (2) in order to secure flywheel housing (3) to the cylinder block.
6. Remove Tooling (A).

End By:

- a. Install the flywheel. Refer to Disassembly and Assembly, "Flywheel - Install".
- b. Install the electric starting motor. Refer to Disassembly and Assembly, "Electric Starting Motor- Remove and Install".

Thank you so much for reading.
Please click the “Buy Now!”
button below to download the
complete manual.



After you pay.

You can download the most
perfect and complete manual in
the world immediately.

Our support email:

ebooklibonline@outlook.com