



# Service Repair Manual

## **Models**

# 325C EXCAVATOR

---

Product: EXCAVATOR

Model: 325C EXCAVATOR DTF

Configuration: 325C Material Handler DTF00001-UP (MACHINE) POWERED BY 3126 Engine

## **Disassembly and Assembly 325C Excavator 3126B Engine Supplement**

Media Number -REN5368-03

Publication Date -01/04/2007

Date Updated -19/04/2007

i01924946

# **Alternator - Remove and Install - Engine in Chassis**

SMCS - 1405-010

## **Removal Procedure**

**Note:** Put identification marks on all wires for installation purposes.

1. Disconnect the positive battery terminal. This will prevent any damage to the wiring or the alternator.
-

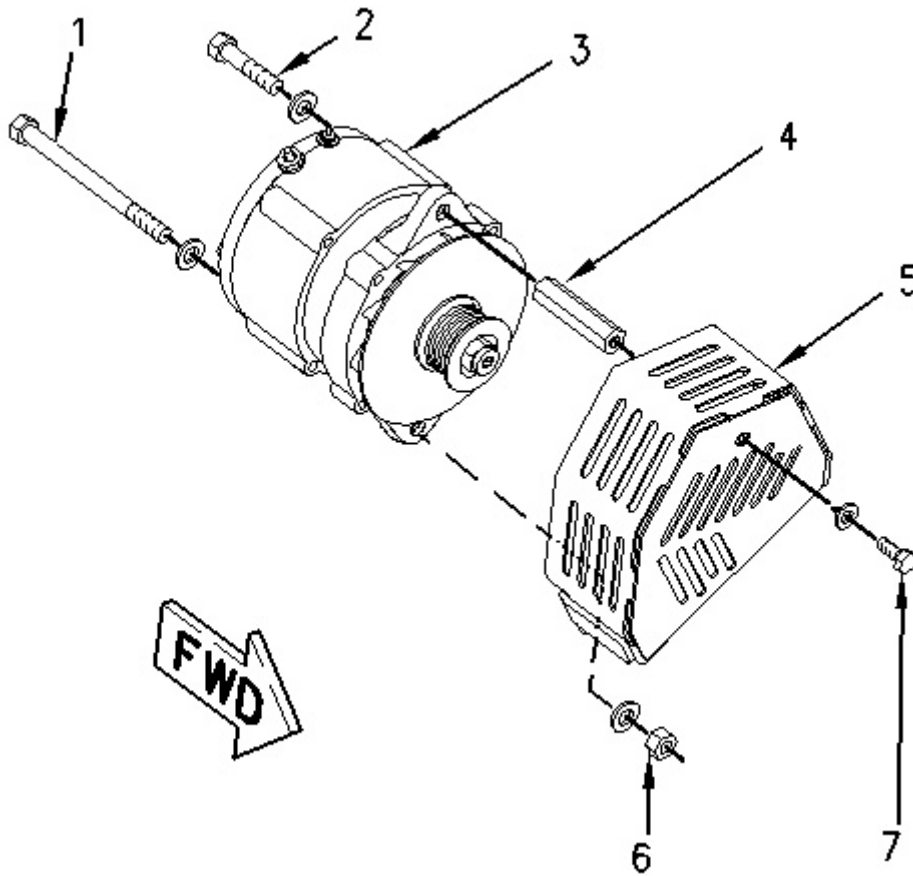


Illustration 1

g01003392

The above Illustration is a reference for the following steps.

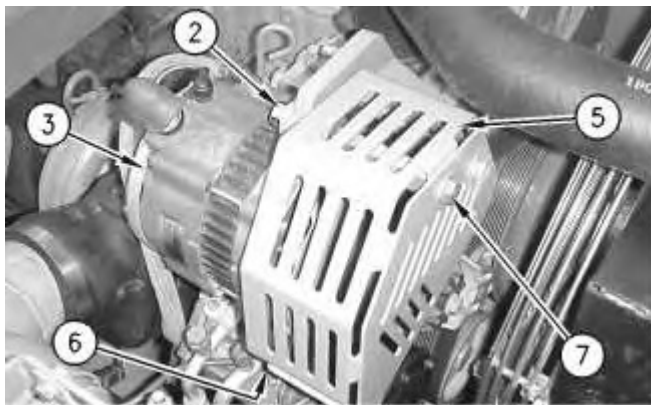


Illustration 2

g01003456

2. Remove bolt (7) .
3. Remove nut (6) from lower bolt (1) on alternator (3). Do not remove bolt (1) at this time.
4. Remove guard (5) .

5. Remove spacer (4) and bolt (2) .



Illustration 3

g01003460

6. Remove belt (8) from the alternator.

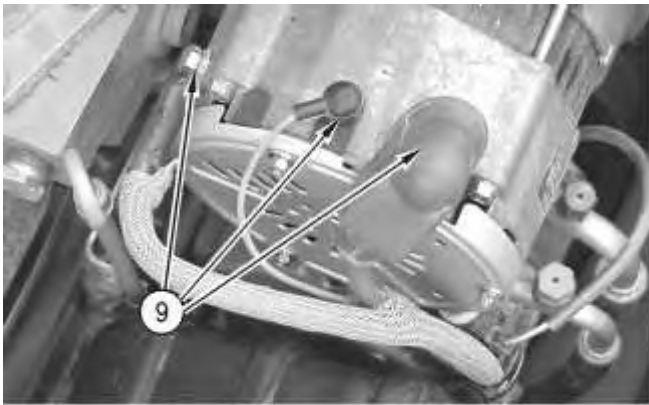
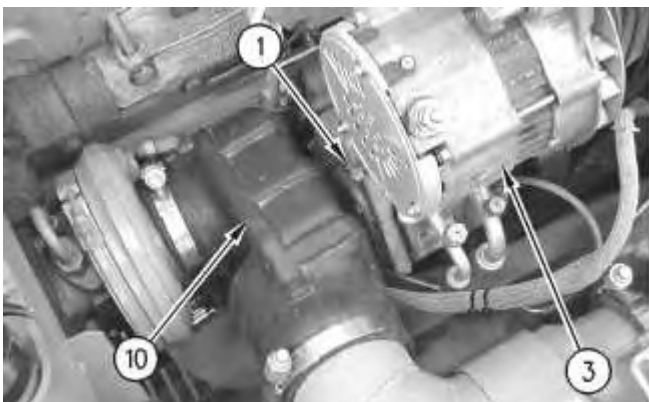


Illustration 4

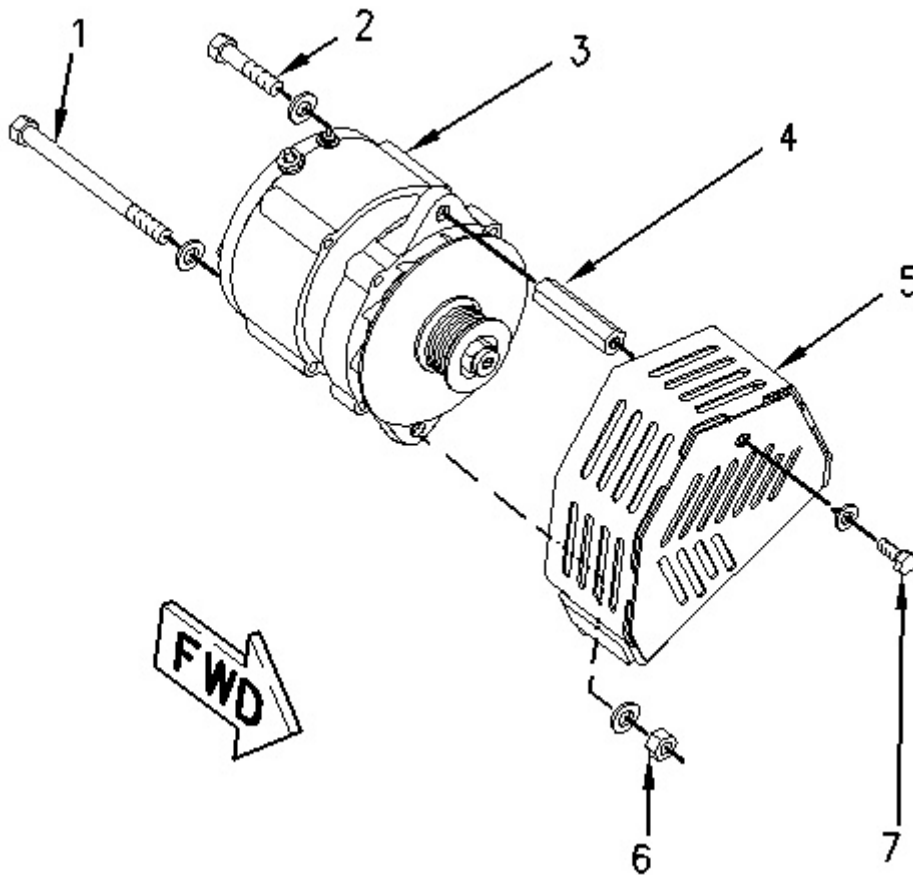
g01003492

7. Disconnect cable assemblies (9) .



8. Remove rubber boot (10) .
9. Remove lower bolt (1) and alternator (3) .

## Installation Procedure



The above Illustration is a reference for the following steps.

---

Thank you so much for reading.  
Please click the “Buy Now!”  
button below to download the  
complete manual.



After you pay.

You can download the most  
perfect and complete manual in  
the world immediately.

Our support email:

[ebooklibonline@outlook.com](mailto:ebooklibonline@outlook.com)