



# Service Repair Manual

## **Models**

328D LCR Excavator

---

Product: EXCAVATOR

Model: 328D LCR EXCAVATOR MKR

Configuration: 328D LCR Excavator MKR00001-UP (MACHINE) POWERED BY C7 Engine

## Disassembly and Assembly 328D Excavator Machine Systems

Media Number -KENR6014-04

Publication Date -01/02/2017

Date Updated -17/02/2017

i04027173

## Final Drive - Disassemble - Type-One

SMCS - 4050-015

S/N - GTN1-187

S/N - MKR1-197

## Disassembly Procedure

Table 1

Required Tools			
Tool	Part Number	Part Description	Qty
A	1P-2420	Transmission Repair Stand	1
B	138-7573	Link Bracket	2
C	1P-1863	Retaining Ring Pliers	1
D	208-6033	Spanner Socket	1
E	138-7574	Link Bracket	2
F	5F-7366	Forcing Screw	1
	1P-5546	Crossblock	1
	1U-9889	Crossblock	1
	1P-0520	Driver Group	1
	6V-7888	Puller Leg	2
	1H-3112	Puller Assembly	1
	1P-5551	Adjustable Screw Assembly	1

G	1U-7600	Slide Hammer Puller Gp	1
	8T-0266	Bolt	1

**Start By:**

A. Remove the final drive. Refer to Disassembly and Assembly, "Final Drive - Remove".

**Note:** Cleanliness is an important factor. Before the disassembly procedure, the thoroughly clean the exterior of the component. This will prevent dirt from entering the internal mechanism.

**Note:** Some of the images that are in this procedure do not show the sprocket assembly that is attached to the final drive housing. If necessary, the weights that are given include the weight of the sprocket assembly.

1. Put an alignment mark across the sections of the final drive for assembly purposes. The parts must be reinstalled in the part's original locations.



Illustration 1

g00708089

2. Fasten the final drive to Tooling (A) , as shown. The weight of the final drive assembly is approximately 312 kg (688 lb).
3. Remove bolts (1) and the washers that hold the cover in position.

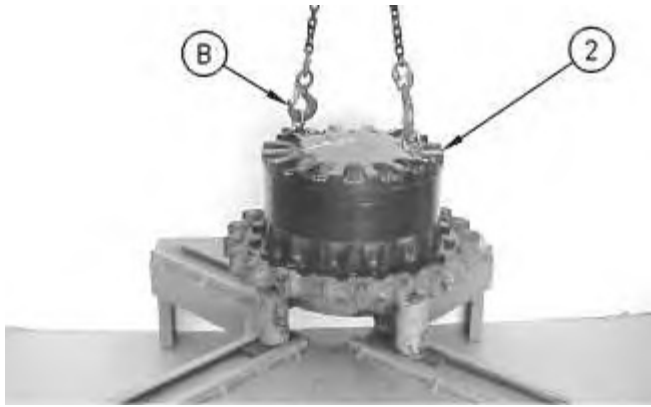


Illustration 2

g00708090

4. Remove the setscrews from the cover. Fasten Tooling (B) and a suitable lifting device to cover (2) , as shown. Remove the cover. The weight of the cover is approximately 32 kg (70 lb).

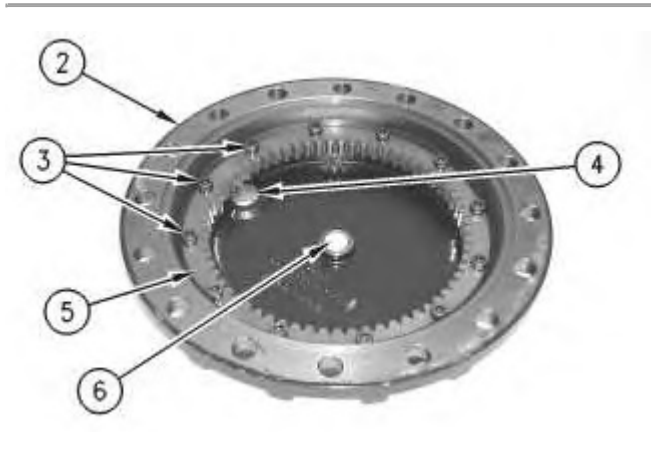
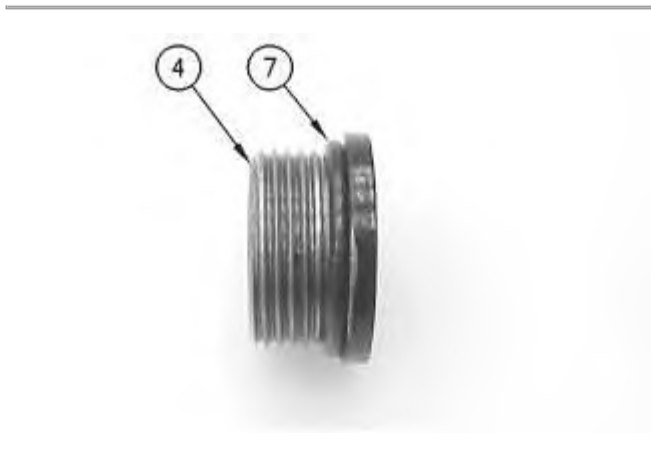


Illustration 3

g00879362

5. Remove bolts (3) . Remove gear (5) . Check plate (6) . Replace plate (6) if wear is shown. Remove plugs (4) from cover (2) .



6. Remove O-ring seal (7) from plugs (4) .



7. Remove gear (8) . Remove spacer (9) .



8. Remove retaining ring (10) with Tooling (C) . Remove washer (11) . Remove gear (12) . Remove bearing assembly (13) . Remove second washer (11) .
  9. Repeat Step 8 for the remaining two gear assemblies.
-

Thank you so much for reading.  
Please click the “Buy Now!”  
button below to download the  
complete manual.



After you pay.

You can download the most  
perfect and complete manual in  
the world immediately.

Our support email:

[ebooklibonline@outlook.com](mailto:ebooklibonline@outlook.com)