



Service Repair Manual

Models

330C FM EXCAVATOR

Product: EXCAVATOR

Model: 330C FM EXCAVATOR B3M

Configuration: 330C Forest Swing Machine B3M00001-UP (MACHINE) POWERED BY C-9 Engine

Disassembly and Assembly

C9

Engine For Caterpillar Built Machines

Media Number -SEN9502-16

Publication Date -01/03/2014

Date Updated -06/03/2014

i02050091

Air Compressor Drive Gear - Remove

SMCS - 1803-011-GE

Removal Procedure

Table 1

Required Tools			
Tool	Part Number	Part Description	Qty
A	132-5451	Holding Fixture	1

Start By:

- A. Remove the air compressor. Refer to Disassembly and Assembly, "Air Compressor - Remove and Install".

NOTICE

Keep all parts clean from contaminants.

Contaminants may cause rapid wear and shortened component life.

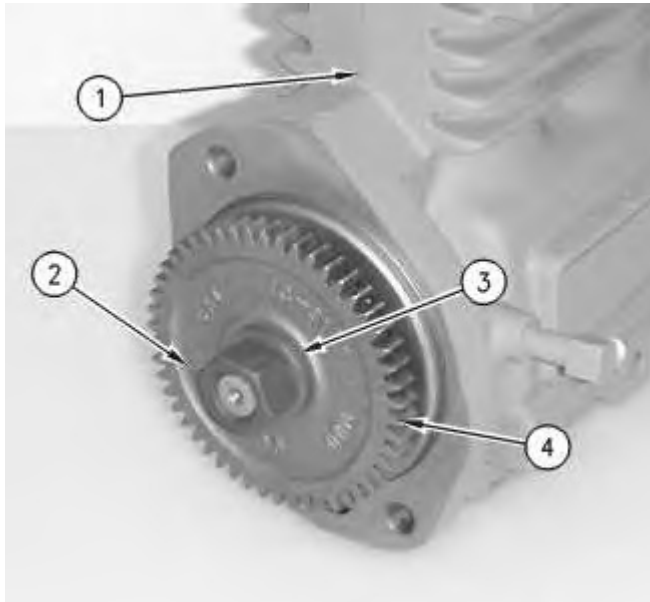


Illustration 1

g00634494

1. Mount air compressor (1) in a bench vise.
2. Install Tooling (A) on the air compressor drive gear.
3. Remove nut (2) and washer (3) .
4. Remove air compressor drive gear (4) .

Product: EXCAVATOR

Model: 330C FM EXCAVATOR B3M

Configuration: 330C Forest Swing Machine B3M00001-UP (MACHINE) POWERED BY C-9 Engine

Disassembly and Assembly

C9

Engine For Caterpillar Built Machines

Media Number -SEN9502-16

Publication Date -01/03/2014

Date Updated -06/03/2014

i02050094

Air Compressor Drive Gear - Install

SMCS - 1803-012-GE

Installation Procedure

Table 1

Required Tools			
Tool	Part Number	Part Description	Qty
A	132-5451	Holding Fixture	1

NOTICE

Keep all parts clean from contaminants.

Contaminants may cause rapid wear and shortened component life.

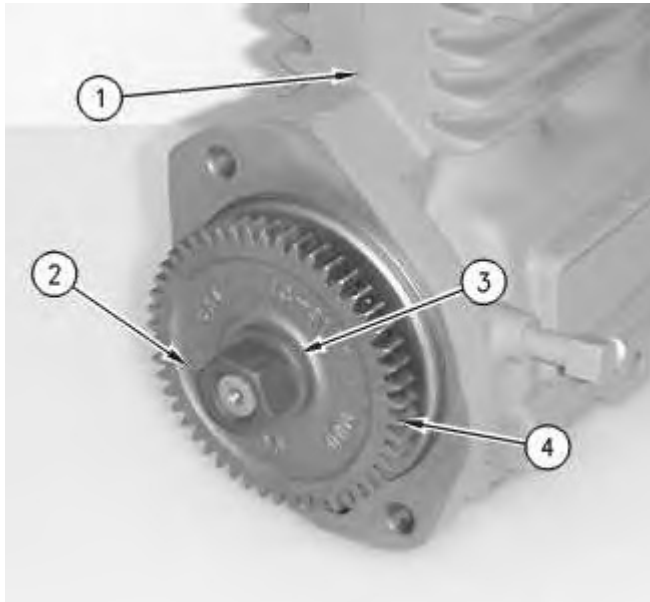


Illustration 1

g00634494

1. Mount air compressor (1) in a bench vise.
2. Install air compressor drive gear (4) on the air compressor crankshaft.
3. Install washer (3) and nut (2) .
4. Install Tooling (A) on the air compressor drive gear.
5. Tighten nut (2) to a torque of 170 ± 15 N·m (125 ± 11 lb ft).
6. Place a driver which is slightly larger than the nut over the nut and tap the driver with a hammer.
7. Tighten the nut again to a torque of 170 ± 15 N·m (125 ± 11 lb ft).

End By: Install the air compressor. Refer to Disassembly and Assembly, "Air Compressor - Remove and Install".

Thank you so much for reading.
Please click the “Buy Now!”
button below to download the
complete manual.



After you pay.

You can download the most
perfect and complete manual in
the world immediately.

Our support email:

ebooklibonline@outlook.com