



Service Repair Manual

Models

336 Excavator

Product: EXCAVATOR

Model: 336 EXCAVATOR GDY

Configuration: 336 Excavator GDY00001-UP (MACHINE) POWERED BY C9.3 Engine

Disassembly and Assembly 336 Excavator Machine Systems

Media Number -M0087649-02

Publication Date -01/10/2018

Date Updated -22/10/2018

i07323626

Piston Motor (Hydraulic Fan) - Assemble

SMCS - 1386-016-QP; 5058-016-HFN; 5058-016-FM

Assembly Procedure

Table 1

Required Tools			
Tool	Part Number	Part Description	Qty
A	437-3776	Fixture As	1
	1U-9127	Adapter Plate	1
	1U-5750	Engine Stand	1
	8S-9089	Bolt	2
	5P-8245	Hard Washer	4
	1F-7958	Full Nut	2
B	1P-0510	Driver Gp	1
C	8T-3980	Nut	1
	8T-5096	Tool Gp	1

Reference: Special Instruction, "Visual Service Procedures - Symbols" M0066576

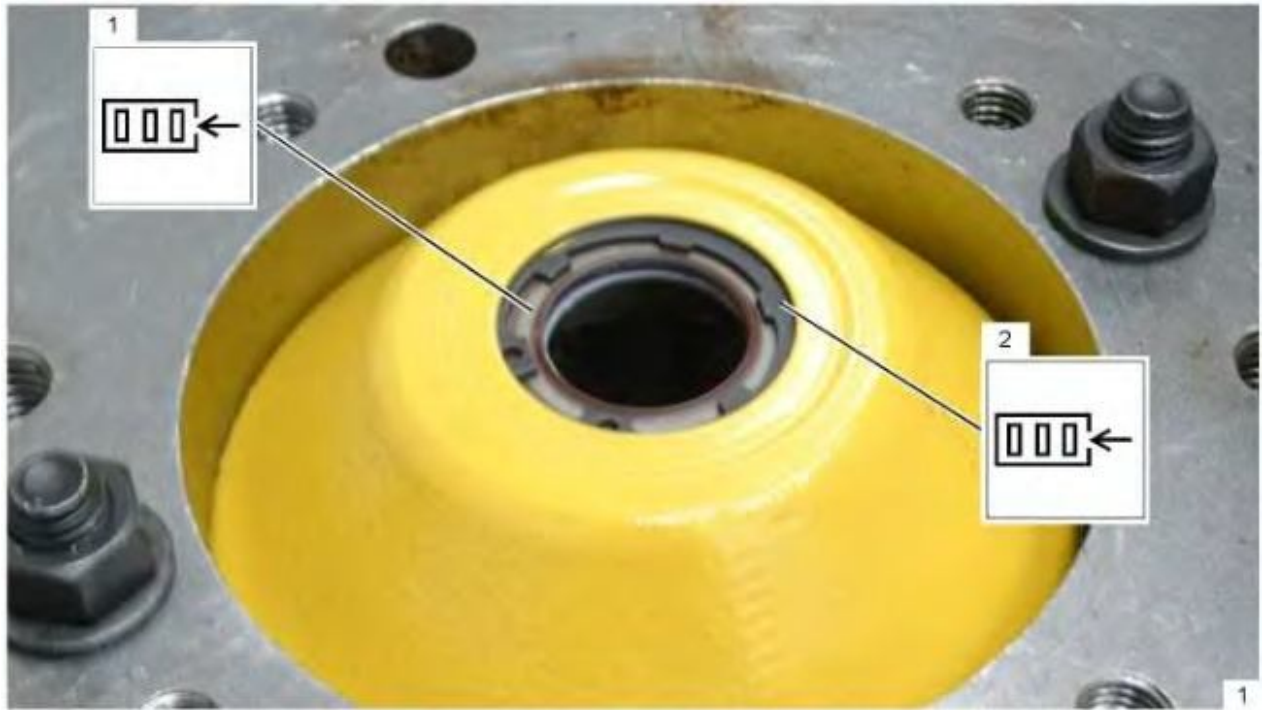


Illustration 1

g06284363



Illustration 2

g06284366

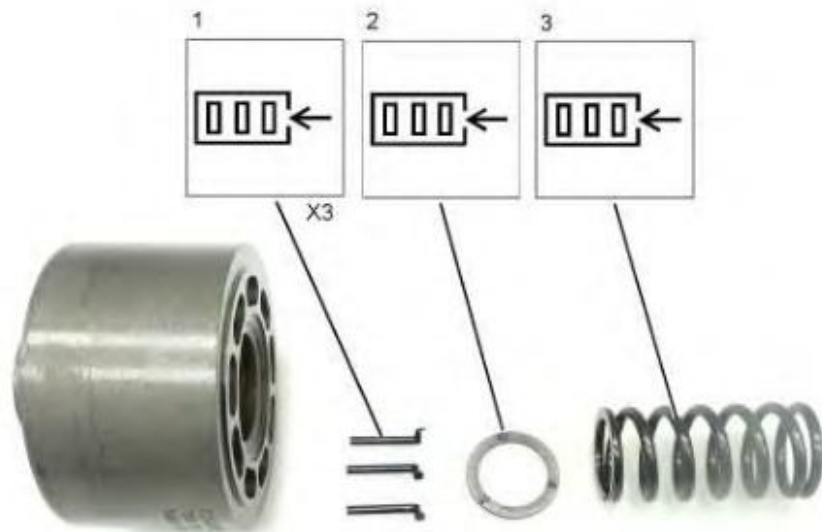


Illustration 3

g06284371

 **WARNING**

Improper assembly of parts that are spring loaded can cause bodily injury.

To prevent possible injury, follow the established assembly procedure and wear protective equipment.

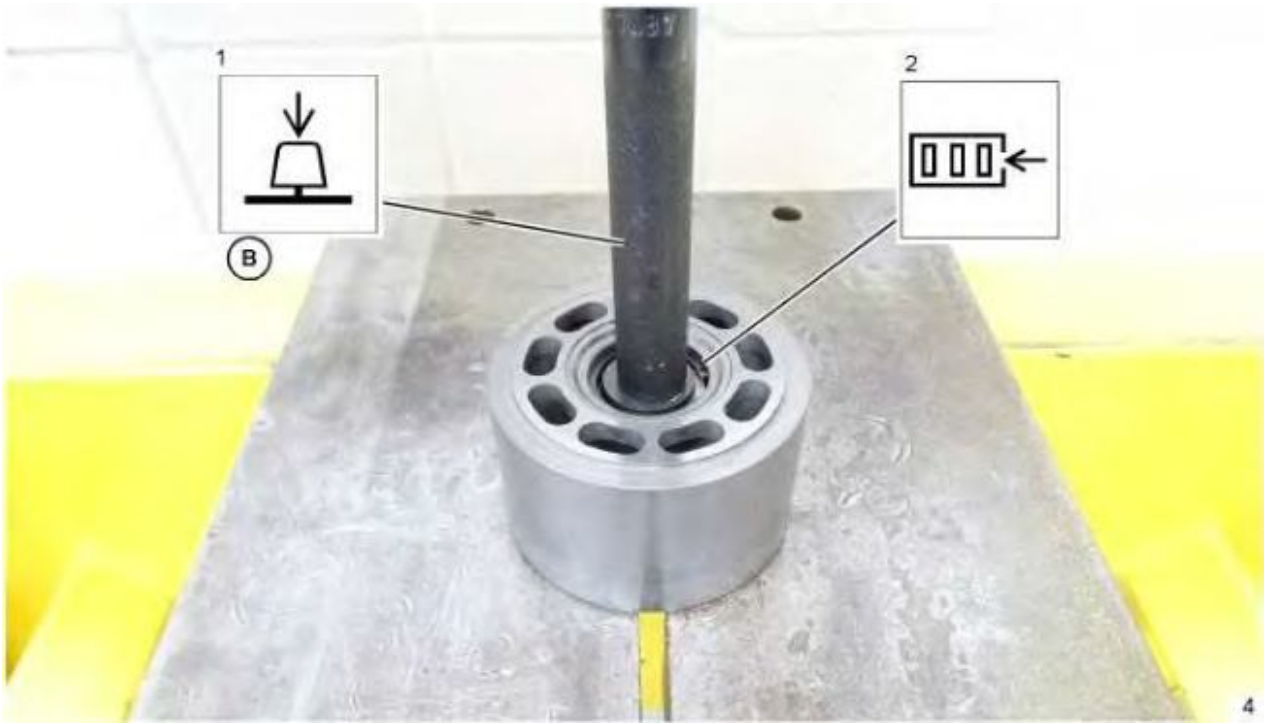


Illustration 4

g06284374



5

Illustration 5

g06284376

Thank you so much for reading.
Please click the “Buy Now!”
button below to download the
complete manual.



After you pay.

You can download the most
perfect and complete manual in
the world immediately.

Our support email:

ebooklibonline@outlook.com