



Service Repair Manual

Models

336 Excavator

Product: EXCAVATOR

Model: 336 EXCAVATOR JHD

Configuration: 336 Excavator JHD00001-UP (MACHINE) POWERED BY C9.3B Engine

Disassembly and Assembly C9.3B Engines for Caterpillar Built Machines

Media Number -M0095651-00

Publication Date -01/06/2018

Date Updated -20/06/2018

i07026677

Camshaft - Remove

SMCS - 1210-011

Removal Procedure

Reference: Special Instruction, "Visual Service Procedures - Colors and Symbols" M0066576

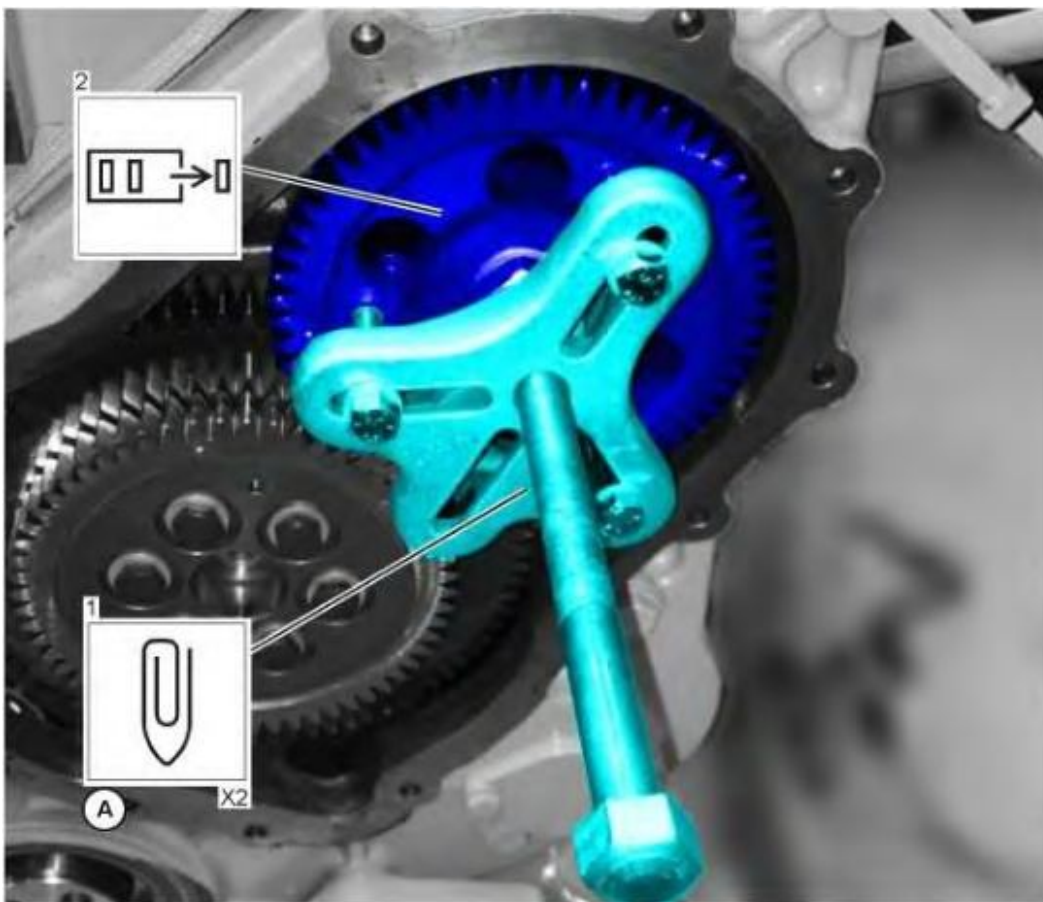
Table 1

| Required Tools | | | |
|----------------|-------------|------------------|-----|
| Tool | Part Number | Part Description | Qty |
| A | 8T-2998 | Lubricant | - |

Start By:

- a. Remove the rocker arm and shaft.
- b. Remove the front cover.
- c. Remove the valve lifters.

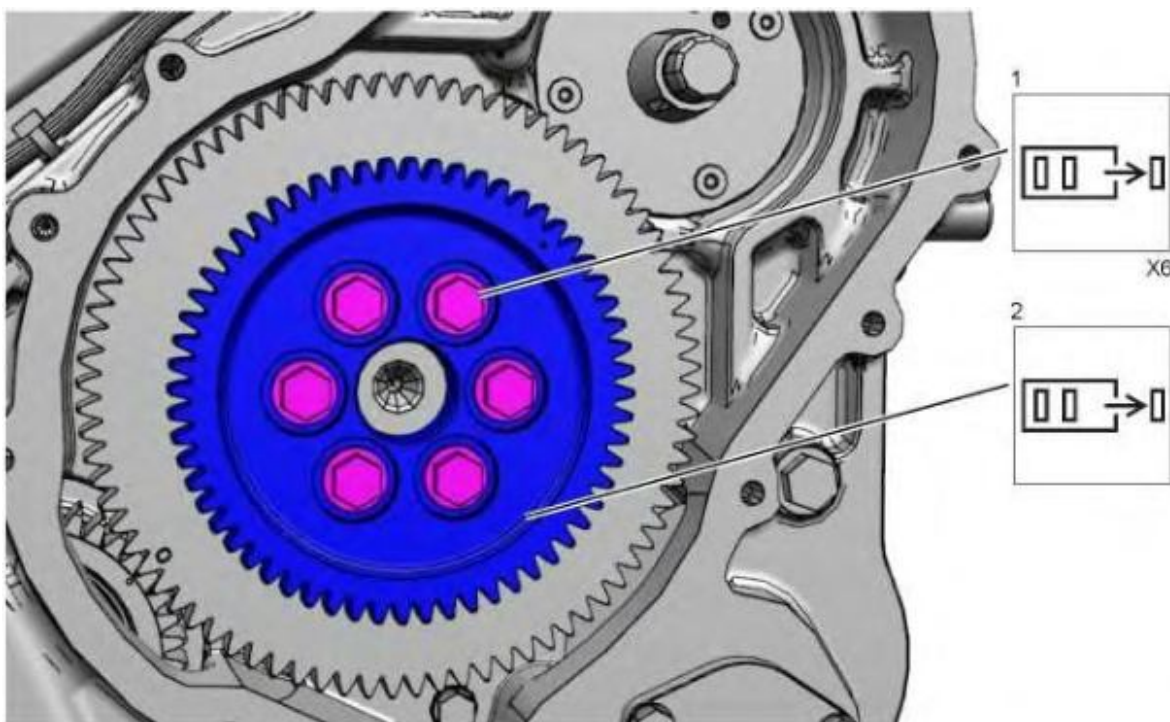
Set the number one piston to top center on the compression stroke. Refer to Testing and Adjusting, "Finding Top Center for No. 1 Piston."



1

Illustration 1

g06201787



2

Illustration 2

g06201802

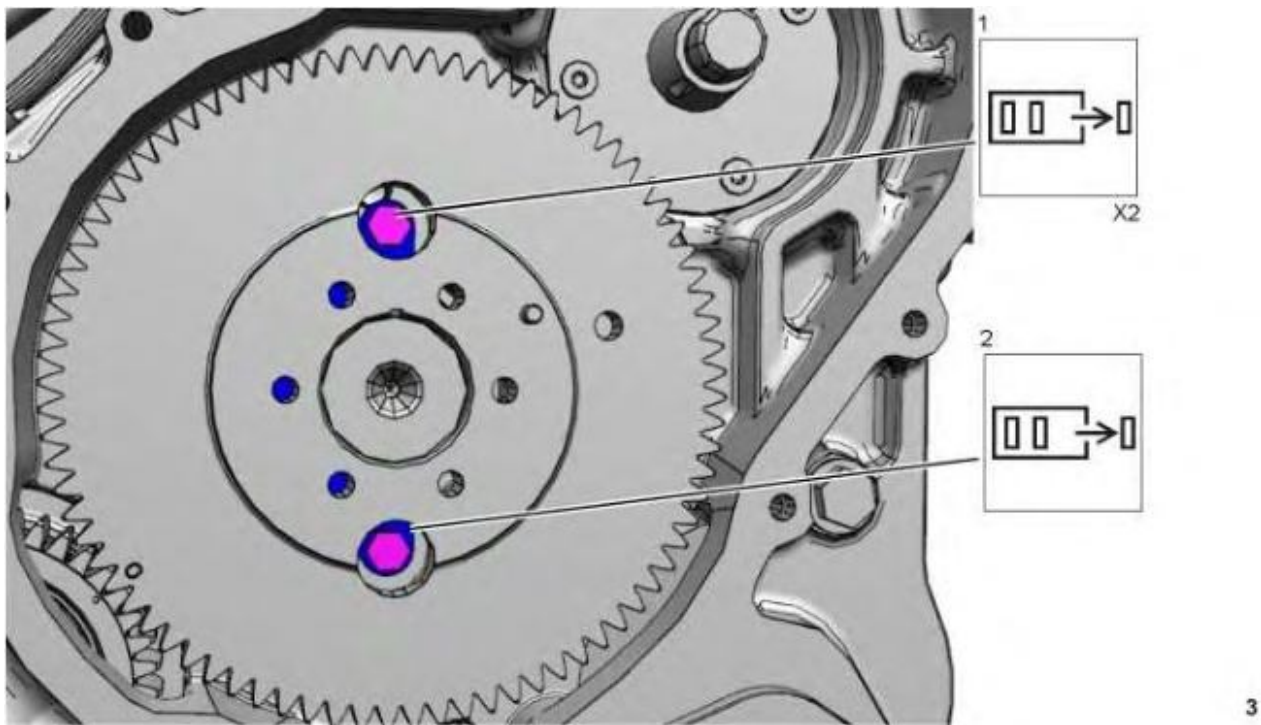


Illustration 3

g06201863

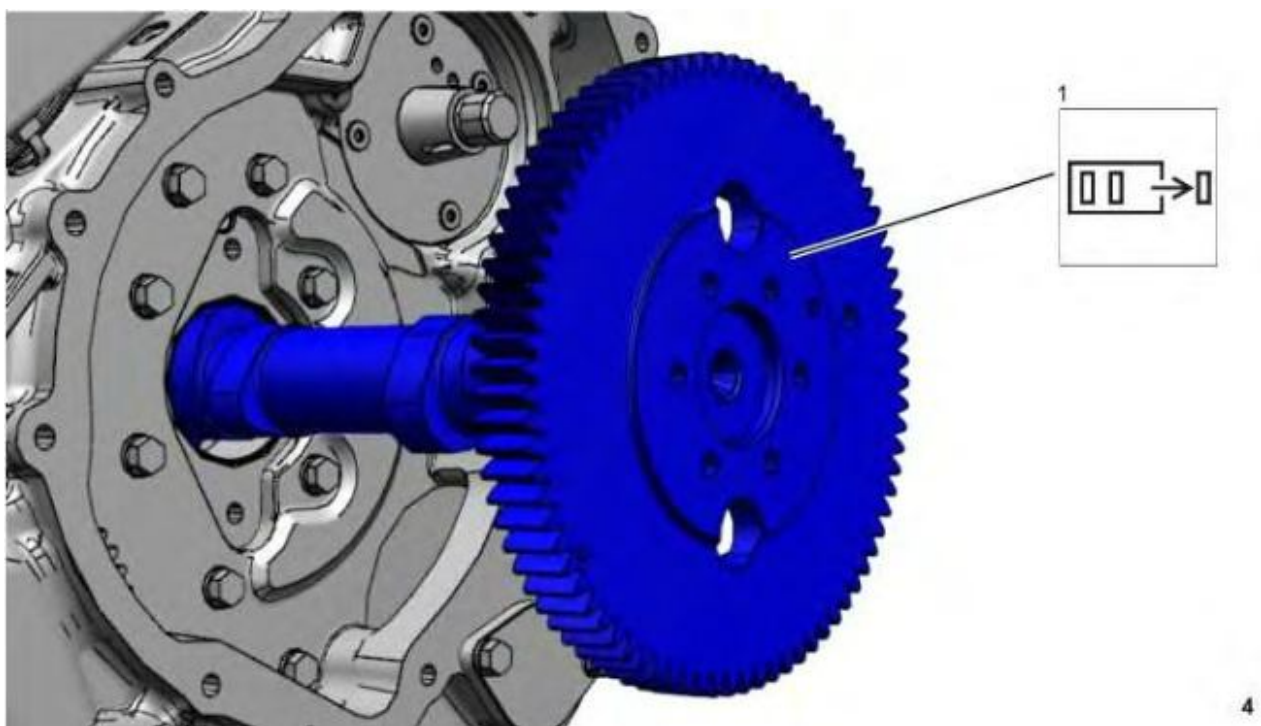


Illustration 4

g06201906

NOTICE

Do not damage the lobes of the bearings when the camshaft is removed or installed.

Product: EXCAVATOR

Model: 336 EXCAVATOR JHD

Configuration: 336 Excavator JHD00001-UP (MACHINE) POWERED BY C9.3B Engine

Disassembly and Assembly C9.3B Engines for Caterpillar Built Machines

Media Number -M0095651-00

Publication Date -01/06/2018

Date Updated -20/06/2018

i07030947

Camshaft - Install

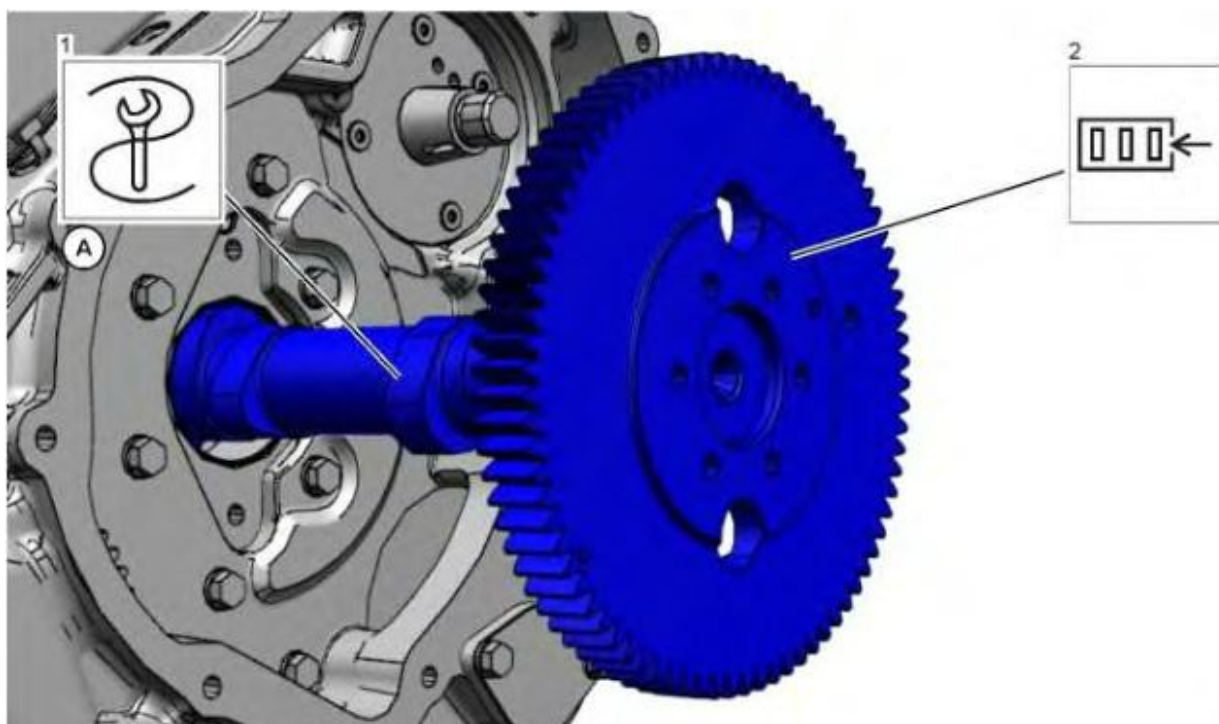
SMCS - 1210-012

Installation Procedure

Reference: Special Instruction, "Visual Service Procedures - Colors and Symbols" M0066576

Table 1

| Required Tools | | | |
|----------------|-------------|------------------|-----|
| Tool | Part Number | Part Description | Qty |
| A | 8T-2998 | Lubricant | - |



Thank you so much for reading.
Please click the “Buy Now!”
button below to download the
complete manual.



After you pay.

You can download the most
perfect and complete manual in
the world immediately.

Our support email:

ebooklibonline@outlook.com