



Service Repair Manual

Models

345C EXCAVATOR

Product: EXCAVATOR
Model: 345C EXCAVATOR MDC
Configuration: ISJ HEX COMMONALITY CHART MDC00001-UP (MACHINE)

Disassembly and Assembly C11 and C13 Engines for Caterpillar Built Machines

Media Number -REN9214-23

Publication Date -01/05/2015

Date Updated -22/05/2018

i02247172

Fuel Transfer Pump - Remove

SMCS - 1256-011

Removal Procedure

NOTICE

Care must be taken to ensure that fluids are contained during performance of inspection, maintenance, testing, adjusting, and repair of the product. Be prepared to collect the fluid with suitable containers before opening any compartment or disassembling any component containing fluids.

Refer to Special Publication, NENG2500, "Dealer Service Tool Catalog" for tools and supplies suitable to collect and contain fluids on Cat products.

Dispose of all fluids according to local regulations and mandates.

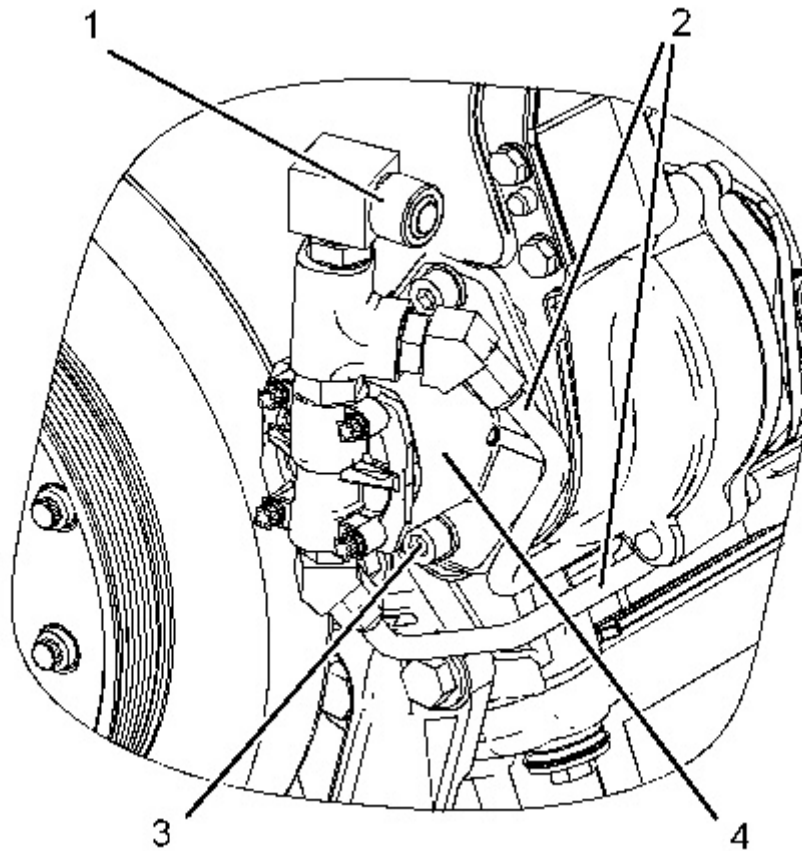


Illustration 1

g01131526

1. Disconnect hose assembly (1).
2. Disconnect tube assemblies (2).
3. Remove bolts (3).
4. Remove fuel transfer pump (4).

Product: EXCAVATOR
Model: 345C EXCAVATOR MDC
Configuration: ISJ HEX COMMONALITY CHART MDC00001-UP (MACHINE)

Disassembly and Assembly C11 and C13 Engines for Caterpillar Built Machines

Media Number -REN9214-23

Publication Date -01/05/2015

Date Updated -22/05/2018

i02247178

Fuel Transfer Pump - Install

SMCS - 1256-012

Installation Procedure

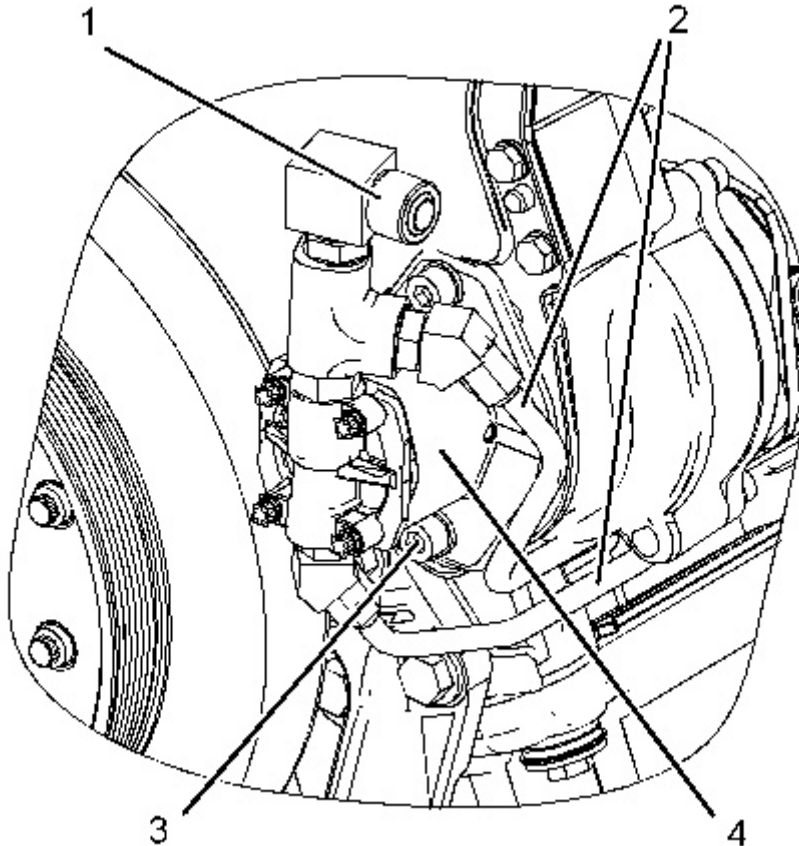


Illustration 1

g01131526

1. Position fuel transfer pump (4).
2. Install bolts (3).
3. Connect tube assemblies (2).
4. Connect hose assembly (1).

[Copyright 1993 - 2020 Caterpillar Inc.](#)

Tue Jul 21 07:21:50 UTC+0800 2020

[All Rights Reserved.](#)

[Private Network For SIS Licensees.](#)

Thank you so much for reading.
Please click the “Buy Now!”
button below to download the
complete manual.



After you pay.

You can download the most
perfect and complete manual in
the world immediately.

Our support email:

ebooklibonline@outlook.com