



Service Repair Manual

Models

349F and 349F L Excavator

Product: EXCAVATOR

Model: 349F L EXCAVATOR BZ2

Configuration: 349F & 349F L Excavators BZ200001-UP (MACHINE) POWERED BY C13 Engine

Disassembly and Assembly 349F and 352F Excavators Machine Systems

Media Number -UENR0194-04

Publication Date -01/02/2018

Date Updated -21/02/2018

i04243909

Travel Motor - Disassemble

SMCS - 4351-015

Disassembly Procedure

Table 1

Required Tools			
Tool	Part Number	Part Description	Qty
A	138-7574	Link Bracket	1
B	-	Bolt M4 x 0.7	1
C	6V-3010	Puller Gp	1
D	3E-3879	Eyebolt	1
E	9S-9152	Bearing Puller Gp	1

Start By:

- a. Remove the travel motor.
 1. Drain the travel motor.
-

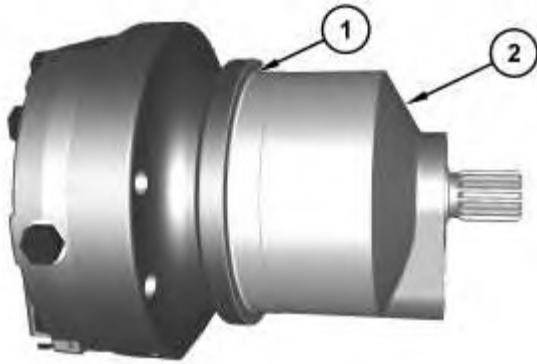


Illustration 1

g02419258

2. Remove O-ring seal (1) from motor housing (2).

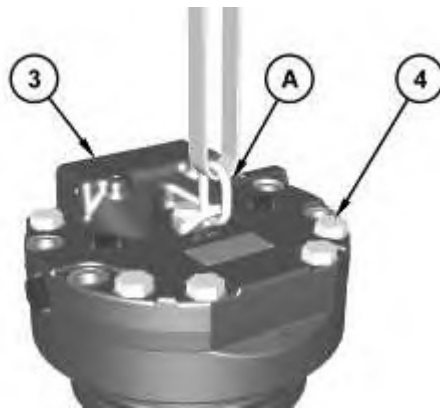


Illustration 2

g02419296

WARNING

Personal injury can result from being struck by parts propelled by a released spring force.

Make sure to wear all necessary protective equipment.

Follow the recommended procedure and use all recommended tooling to release the spring force.

-
3. Attach Tooling (A) onto head assembly (3). Remove bolts (4). Use Tooling (A) and a suitable lifting device to remove head (3). The weight of head assembly (3) is approximately 40 kg (90 lb).
-

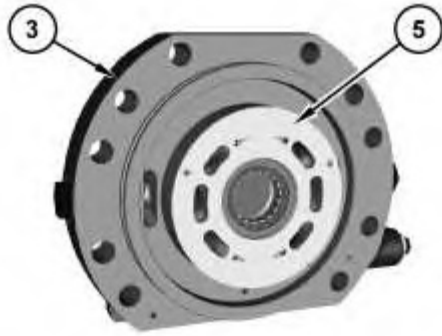


Illustration 3

g02419358

4. Remove plate (5) from head (3).

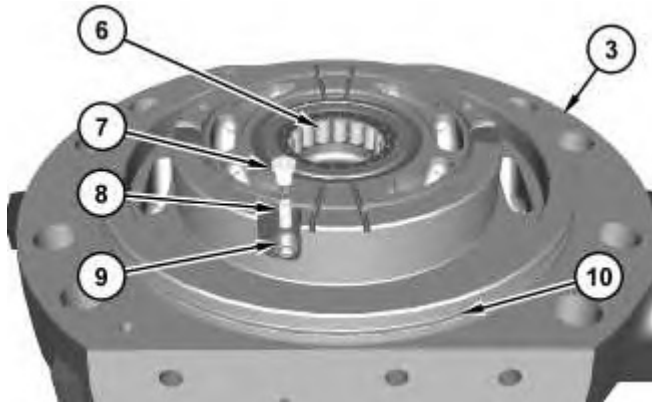


Illustration 4

g02419359

5. Remove bearing (6) from head assembly (3).
6. Remove orifice (7), spring (8), and ball (9).
7. Remove O-ring seal (10) from head assembly (3).



Illustration 5

g02419416

WARNING

Personal injury can result from being struck by parts propelled by a released spring force.

Make sure to wear all necessary protective equipment.

Follow the recommended procedure and use all recommended tooling to release the spring force.

8. Remove adapter (11), spool (12), and spring (13) from head assembly (3).

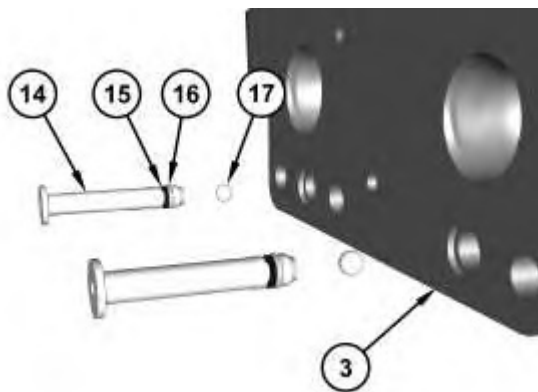


Illustration 6

g02419439

9. Use Tooling (B) in order to remove retainers (14) from head assembly (3).
 10. Remove O-ring seals (16) and backup rings (15) from adapters (14).
 11. Remove balls (17) from head assembly (3).
-

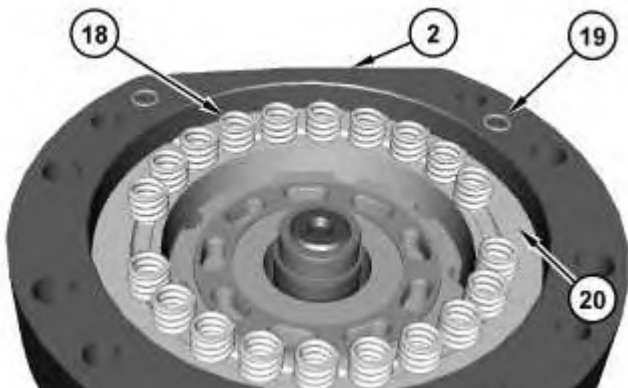


Illustration 7

g02419577

12. Remove springs (18) from brake housing (20).

Thank you so much for reading.
Please click the “Buy Now!”
button below to download the
complete manual.



After you pay.

You can download the most
perfect and complete manual in
the world immediately.

Our support email:

ebooklibonline@outlook.com