



Service Repair Manual

Models

374D L Excavator

Product: EXCAVATOR

Model: 374D L EXCAVATOR PAX

Configuration: 374D L Excavator PAX00001-UP (MACHINE) POWERED BY C15 Engine

Disassembly and Assembly 374D Excavator Machine Systems

Media Number -KENR6406-01

Publication Date -01/02/2012

Date Updated -23/02/2012

i03768729

Travel Motor - Assemble

SMCS - 4351-016

Assembly Procedure

Table 1

Required Tools			
Tool	Part Number	Part Description	Qty
A	138-7573	Link Bracket	1
B	1P-1861	Retaining Ring Pliers As	1
C	6V-2055	Grease	1
D	128-5049	Guide Stud	2

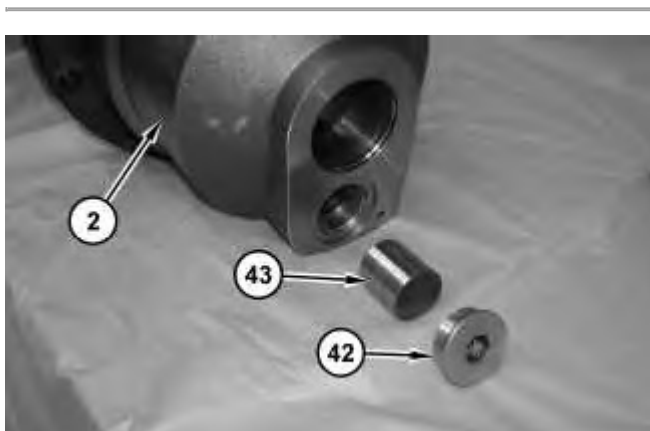


Illustration 1

g02002733

1. Lubricate actuator piston (43) with hydraulic oil. Install actuator piston (43) into housing (2). Install plug (42). Tighten plug (42) to a torque of $430 \pm 40 \text{ N}\cdot\text{m}$ ($315 \pm 30 \text{ lb ft}$).

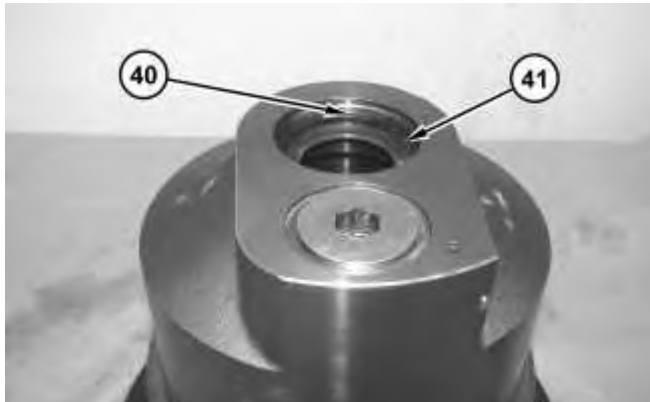


Illustration 2

g02002734

2. Install shaft seal (41). Use Tooling (B) in order to install retaining ring (44) .

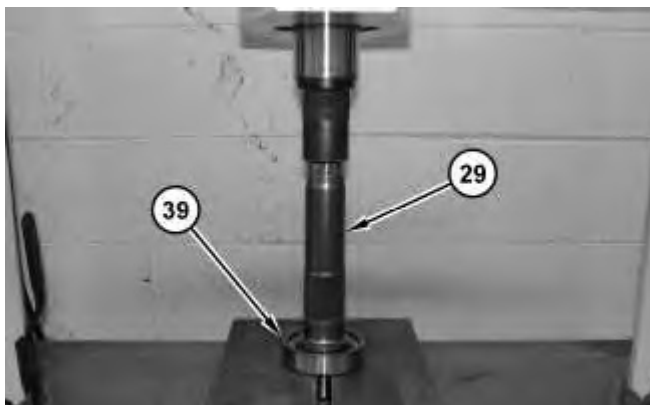
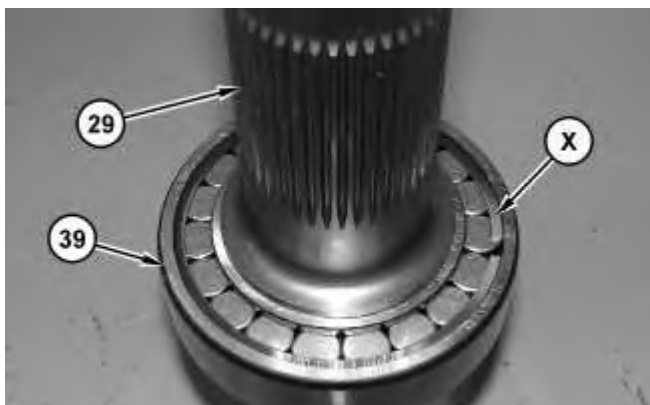


Illustration 3

g02002735



3. Use a suitable press to install bearing (39) onto shaft assembly (29). Bearing (39) must be installed with retaining clip (X) toward the barrel assembly.



Illustration 5

4. Install shaft assembly (29). Install the key and pin assemblies (38) .

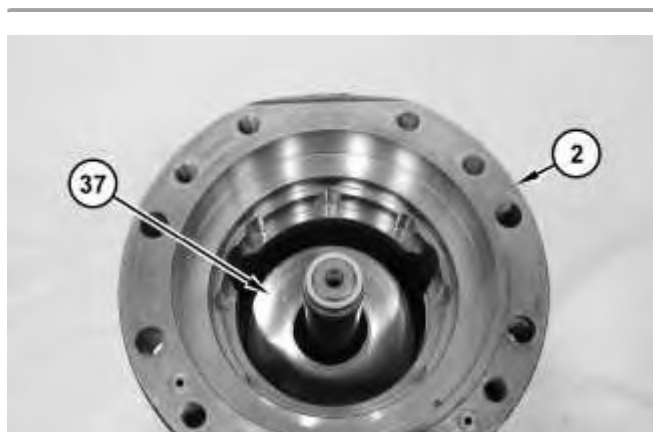


Illustration 6

5. Install swashplate (37) into motor housing (2) .
-

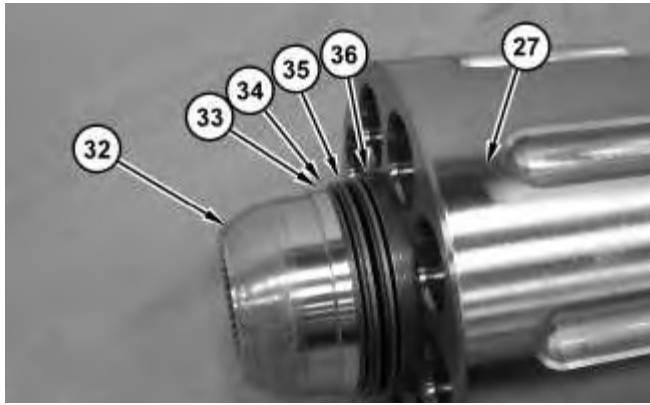


Illustration 7

g02002633

6. Install barrel spacer (36), washers (35), thick spacer (34), thin spacer (33), and bearing 32 onto barrel assembly (27) .

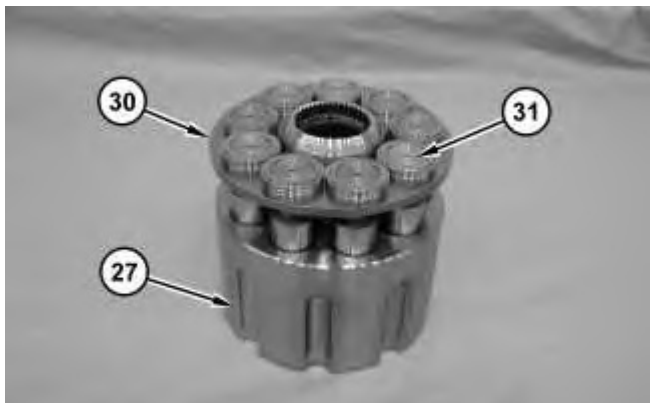


Illustration 8

g02002634

7. Install piston assemblies (31), and plate (30) onto barrel assembly (27) .



Illustration 9

g02006773

Thank you so much for reading.
Please click the “Buy Now!”
button below to download the
complete manual.



After you pay.

You can download the most
perfect and complete manual in
the world immediately.

Our support email:

ebooklibonline@outlook.com