



Service Repair Manual

Models

C9.3 Industrial Engine

Product: INDUSTRIAL ENGINE
 Model: C9.3 INDUSTRIAL ENGINE CS9
 Configuration: C9.3 Industrial Engine CS900001-UP

Disassembly and Assembly C9.3 Industrial Engine

Media Number -UENR0183-02

Publication Date -01/06/2014

Date Updated -06/06/2014

i05834261

Unit Injector - Remove and Install

SMCS - 1290-010

Removal Procedure

Table 1

Required Tools			
Tool	Part Number	Part Description	Qty
A	268-1968	Pry Bar	1
B	-	Scotch Brite	1
C	1U-5718	Vacuum Pump	1
	169-7372	Bottle Assembly	1
	4C-4057	Clear Plastic Tubing 7.92 mm (0.312 inch) OD	1
	4C-4055	Clear Plastic Tubing 6.35 mm (0.250 inch) OD	
D	9U-5470	Reamer	1
E	4C-6161	Tube Brush	1
F	9U-6862	Tapered Brush	1
G	4C-6774	Vacuum Gun Kit	1
H	4C-5027	Tap Wrench	1

Start By:

- A. Remove the valve mechanism cover.
- B. Remove the fuel injection line.
- C. Remove Compression Brake (If Equipped).

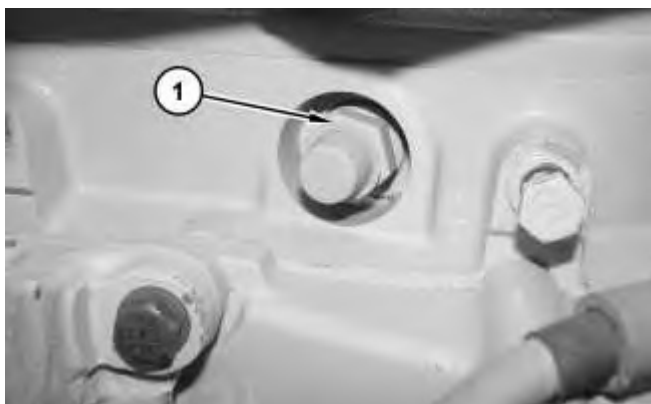


Illustration 1

g01264292



Illustration 2

g01264293

Note: Do not remove the quill tube. This action will reduce the risk of contamination to the system.

1. Fully loosen quill tube nut (1) . Pull quill tube (1) out of the bore until you see O-ring seal (2) . This action will ensure that the injector does not contact the quill tube during removal. At this time, inspect O-ring seal (2) for wear or for damage. Replace the O-ring seal if necessary.
-

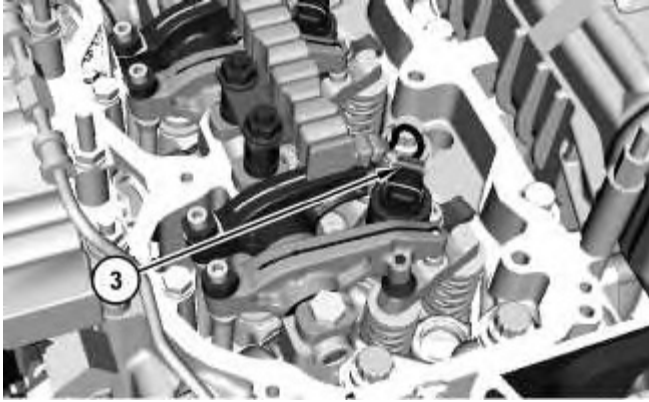


Illustration 3

g02161166

Typical Example

2. Disconnect harness assembly (3) from the unit injector.

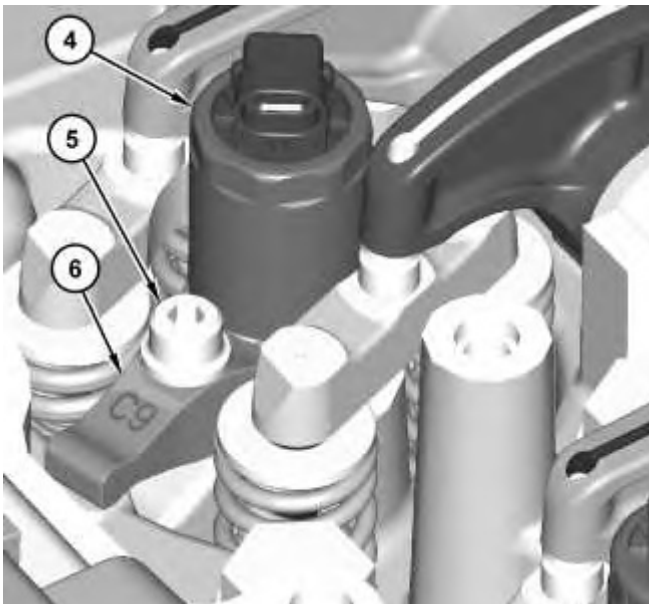


Illustration 4

g02161316

Typical Example

3. Remove bolt (5) from clamp (6) .

Note: When possible, remove the unit injector by hand by twisting the unit injector and pulling upward. Be sure not to strike the unit injector during the removal procedure.

4. If unit injector (4) cannot be removed by hand, go to Step 5.
-

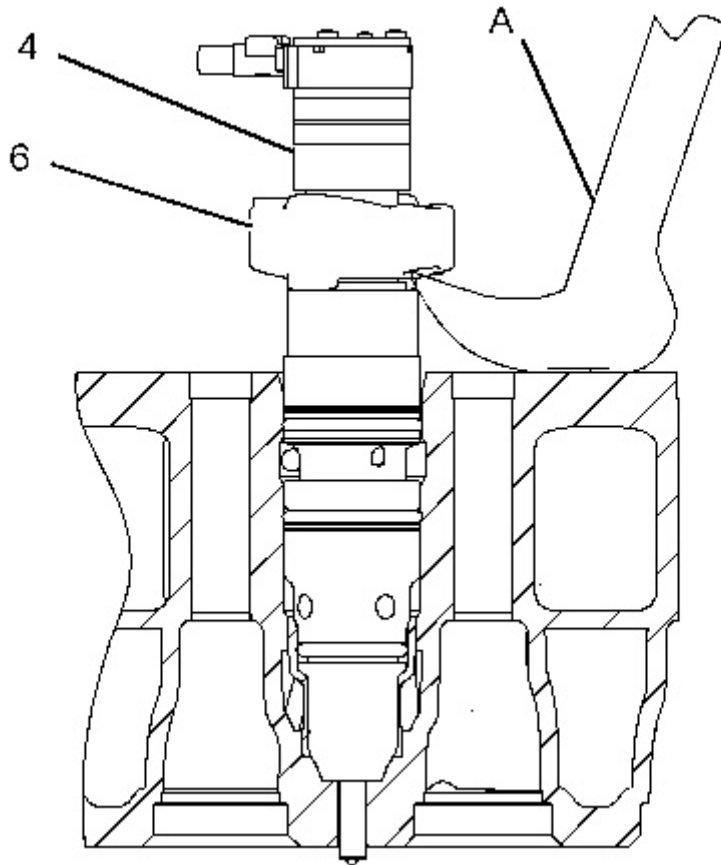


Illustration 5

g02161361

Typical Example

Note: Do not damage the unit injector during removal. Side loading may damage to the unit injector.

5. Position Tooling (A) under unit injector clamp (6) . Carefully remove unit injector (4) from the cylinder head.

Installation Procedure

NOTICE

Keep all parts clean from contaminants.

Contaminants may cause rapid wear and shortened component life.

1. Evacuate as much fuel and oil as possible from the cylinder head before installing the unit injector. Several evacuations may be necessary. Use Tooling (C) to remove the fuel and oil from the cylinder.

Thank you so much for reading.
Please click the “Buy Now!”
button below to download the
complete manual.



After you pay.

You can download the most
perfect and complete manual in
the world immediately.

Our support email:

ebooklibonline@outlook.com