



# Service Repair Manual

## **Models**

CP-663E and CS-663E  
Vibratory Compactor

---

Product: VIBRATORY COMPACTOR

Model: CS-663E VIBRATORY COMPACTOR AEF

Configuration: CP-663E CS-663E Vibratory Compactor AEF00001-UP (MACHINE) POWERED BY 3056 Engine

## Disassembly and Assembly

### CP-663E, CS-663E and CS-683E Vibratory Compactors Machine Systems

Media Number -KENR3574-01

Publication Date -01/05/2005

Date Updated -16/05/2005

i01563926

## Piston Pump (Vibratory) - Disassemble

SMCS - 5070-015; 5652-015

### Disassembly Procedure

#### Start By:

- A. Remove the vibratory pump. Refer to Disassembly and Assembly, "Piston Pump (Vibratory) - Remove".

**Note:** Cleanliness is an important factor. Before the disassembly procedure, the exterior of the component should be thoroughly cleaned. This will help to prevent dirt from entering the internal mechanism.

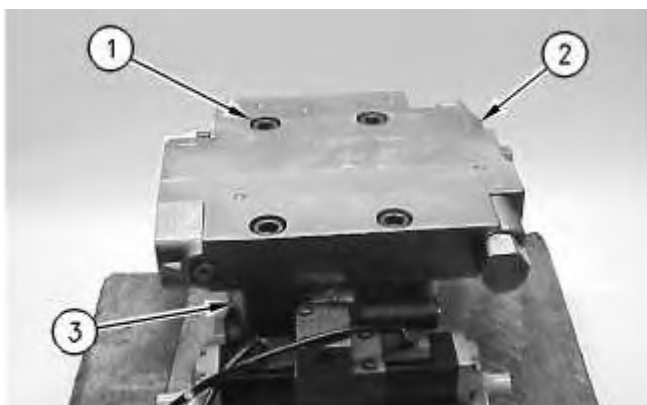


Illustration 1

g00835448

1. Remove four bolts (1) and remove head assembly (2) from housing (3) .

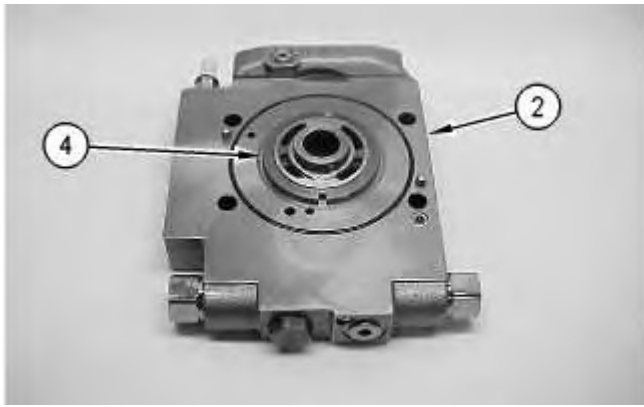


Illustration 2

g00835554

**Note:** Mark the orientation of port plate (4) for assembly purposes.

2. Remove port plate (4) from head assembly (2) .

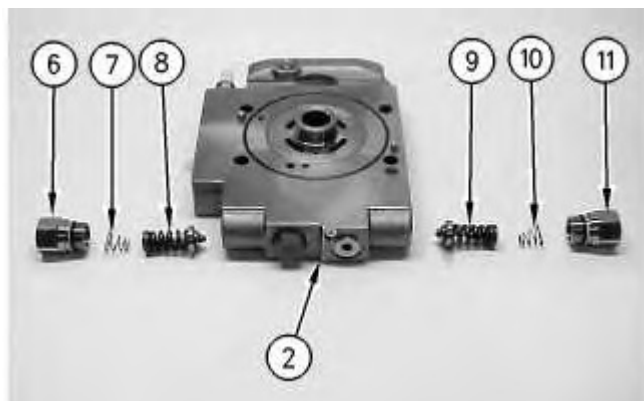


Illustration 3

g00835555

**Note:** Mark the orientation of pin (5) for assembly purposes.

3. Remove pin (5) from port plate (4) .



4. Remove plug (6), spring (7) and relief valve (8) from head assembly (2) .
5. Remove plug (11), spring (10) and relief valve (9) from head assembly (2) .



Illustration 5

6. Remove O-ring seal (12) and backup ring (13) from plugs (6) and (11) .

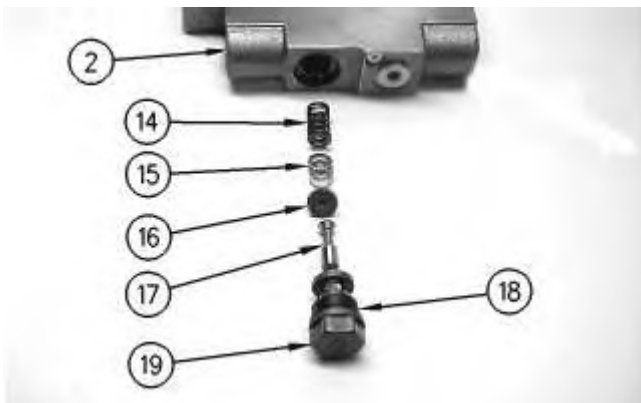


Illustration 6

7. Remove plug (19), poppet valve (17), spring retainer (16), shims (15) and spring (14) from head assembly (2) .
  8. Remove O-ring seal (18) from plug (19) .
-

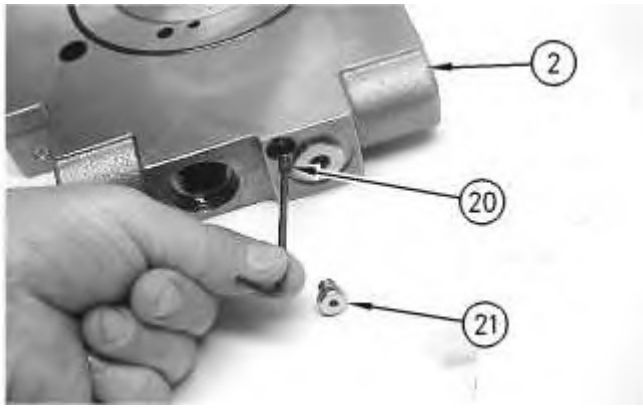


Illustration 7

g00835452

9. Remove plug (21) from head assembly (2). Use an allen wrench and remove control orifice (20) from head assembly (2) .

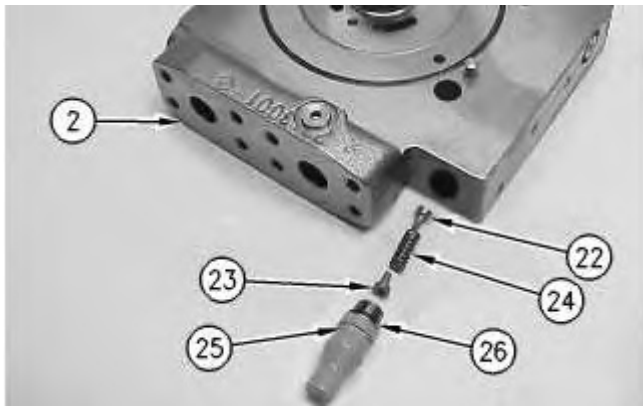


Illustration 8

g00835453

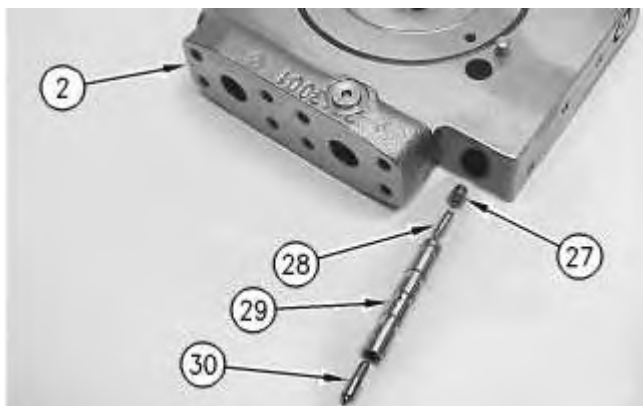


Illustration 9

g00835454

10. Remove plug (25), spring retainer (23), spring (24), spring retainer (22), spool (29) and valve (27) from head assembly (2) .

Thank you so much for reading.  
Please click the “Buy Now!”  
button below to download the  
complete manual.



After you pay.

You can download the most  
perfect and complete manual in  
the world immediately.

Our support email:

[ebooklibonline@outlook.com](mailto:ebooklibonline@outlook.com)