



Service Repair Manual

Models

CS-533E and CP-533E
Vibratory Compactor

Product: VIBRATORY COMPACTOR

Model: CS-533E VIBRATORY COMPACTOR ASL

Configuration: CS-533E CP-533E Vibratory Compactor ASL00001-UP (MACHINE) POWERED BY 3054C Engine

Disassembly and Assembly CP-533E and CS-533E Vibratory Soil Compactors Machine Systems

Media Number -KENR3664-05

Publication Date -01/12/2009

Date Updated -17/12/2009

i01961191

Piston Pump (Vibratory) - Assemble

SMCS - 5070-016; 5652-016

Assembly Procedure

Table 1

Required Tools			
Tool	Part Number	Part Description	Qty
A	1P-0510	Driver Gp	1

Note: Cleanliness is an important factor. Before assembly, thoroughly clean all parts in cleaning fluid. Allow the parts to air dry. Do not use wiping cloths or rags to dry parts. Lint may be deposited on the parts which may cause trouble. Inspect all parts. If any parts are worn or damaged, use new parts for replacement. Dirt and other contaminants can damage the precision component. Perform assembly procedures on a clean work surface. Keep components covered and protected at all times.

Note: Check the O-ring seals, the gaskets, and the seals for wear or for damage. Replace the components, if necessary.

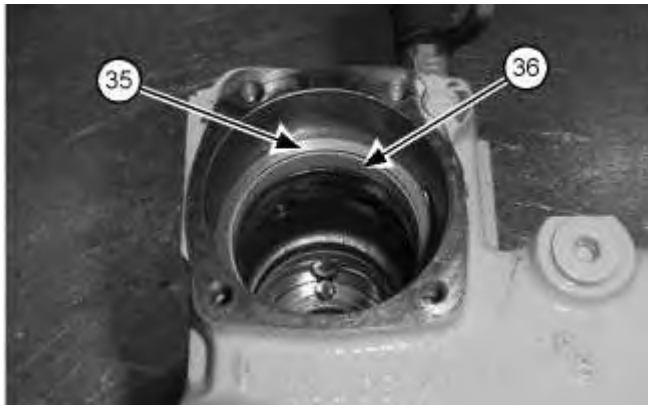


Illustration 1

g01018831

1. Install seal (35) and seal (36) .

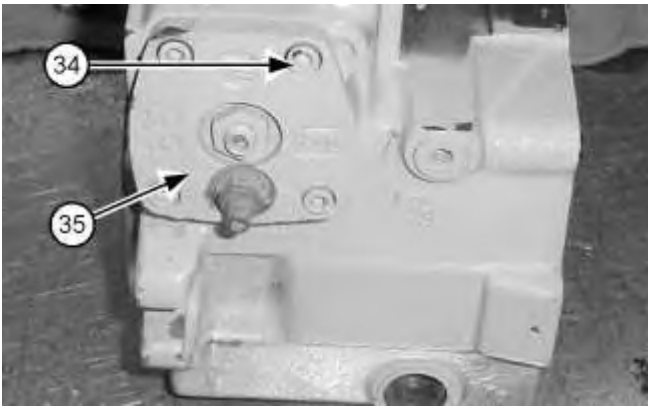


Illustration 2

g01018830

2. Install bolts (34) and cover (35) .



Illustration 3

g01018829

3. Install bearings (33) .

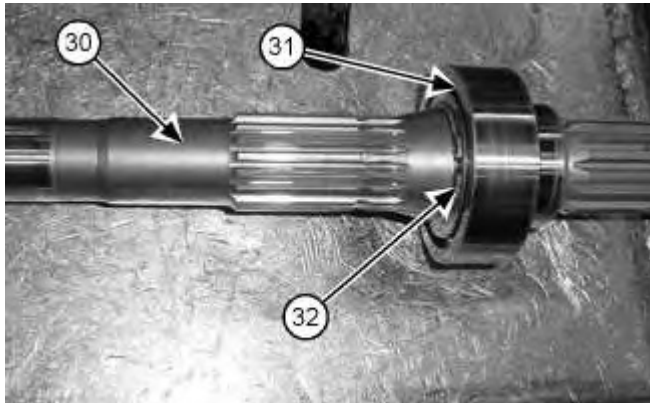


Illustration 4

g01018828

4. Raise the temperature of bearing (31) .
5. Install bearing (31) onto shaft (30) .
6. Install retaining ring (32) .

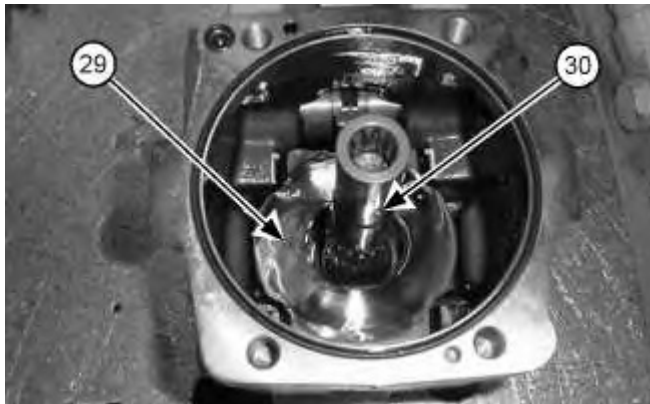


Illustration 5

g01018827

7. Install the bearings onto the swashplate.
 8. Install swashplate (29) and shaft (30) .
-

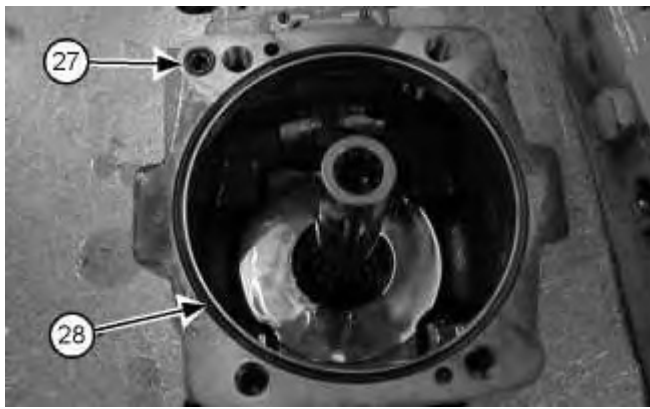


Illustration 6

g01018826

9. Install O-ring seal (27) and O-ring seal (28) .



Illustration 7

g01018824

WARNING

Improper assembly of parts that are spring loaded can cause bodily injury.

To prevent possible injury, follow the established assembly procedure and wear protective equipment.

10. Use Tooling (A) and a suitable press in order to install retaining ring (23) .

Thank you so much for reading.
Please click the “Buy Now!”
button below to download the
complete manual.



After you pay.

You can download the most
perfect and complete manual in
the world immediately.

Our support email:

ebooklibonline@outlook.com