

Product: TRACK-TYPE TRACTOR

Model: D6R III TRACK-TYPE TRACTOR GMT

Configuration: D6R Series III TRACK-TYPE TRACTOR STD, XL Differential Steering GMT00001-UP (MACHINE) POWERED BY C9 Engine

## Disassembly and Assembly D6R Series III Track-Type Tractor Power Train

Media Number -REN8173-06

Publication Date -01/04/2018

Date Updated -26/04/2018

i05236991

## Final Drive - Disassemble

SMCS - 4050-015

## Disassembly Procedure

Table 1

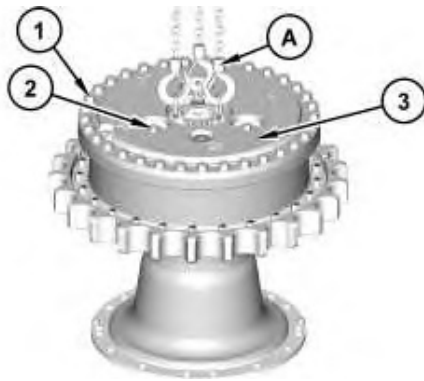
Required Tools			
Tool	Part Number	Part Description	Qty
A	138-7573	Link Bracket	3
	1A-2029	Bolt	1
B	1P-510	Driver Group	1
C	FT-1934	Beam	1
	6V-3160	Double Acting Cylinder	1
	6V-9061	Pump Group	1
	1D-4621	Bolt	4
D	138-7574	Link Bracket	2
	2A-1538	Bolt	2

### Start By:

- A. Remove the final drives. Refer to Disassembly and Assembly, "Final Drive - Remove" for the correct procedure.

**Note:** Cleanliness is an important factor. Before the disassembly procedure, the exterior of the component should be thoroughly cleaned. This will help to prevent dirt from entering the internal mechanism.

---

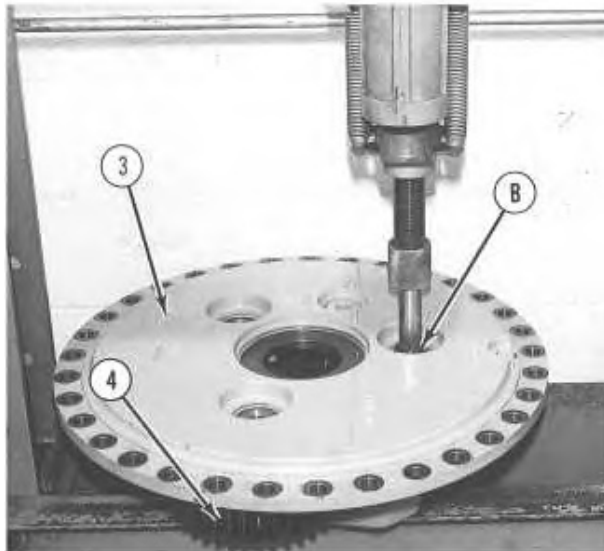


---

Illustration 1

g01195912

1. Install Tooling (A) and a suitable lifting device to planetary carrier (3) .
2. Remove bolts (1). Remove planetary carrier (3) and the two O-ring seals from the hub. The weight of planetary carrier (3) is approximately 137 kg (302 lb).
3. Remove retainers (2) .



---

Illustration 2

g00841089

4. Place support under planetary carrier (3) in order to prevent damage. Use Tooling (B) and a suitable press to remove the planetary gear shafts.
  5. Remove planetary gears (4) from planetary carrier (3) .
-



Illustration 3

g00841091

6. Remove bearing cones (5) from gears (4) .
7. Remove the bearing cups from each side of the gears.

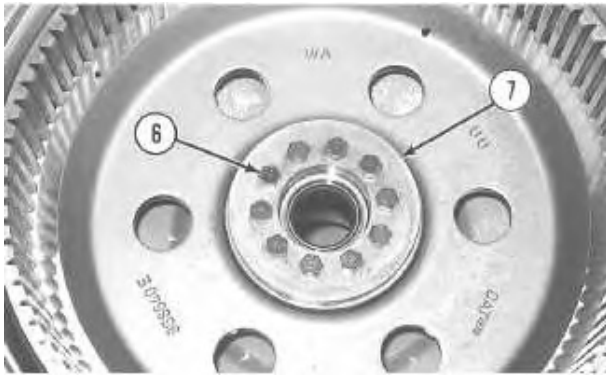


Illustration 4

g00841092



Illustration 5

g01195913

8. Remove bolts (6) and retainer (7) .
9. Attach a suitable lifting device to hub (12) and ring gear (8). The weight of hub (12) and ring gear (8) is approximately 68 kg (150 lb). Remove hub (12) and ring gear (8) .

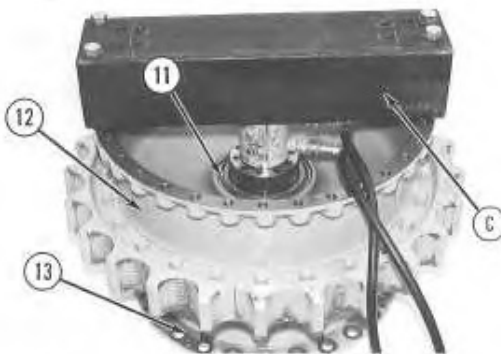


---

Illustration 6

g01195915

10. Turn over hub (9) and ring gear (8). Remove retaining ring (10). Attach a suitable lifting device to hub (9). The weight of hub (9) is approximately 37 kg (82 lb). The weight of ring gear (8) is approximately 32 kg (71 lb). Remove hub (9) .



---

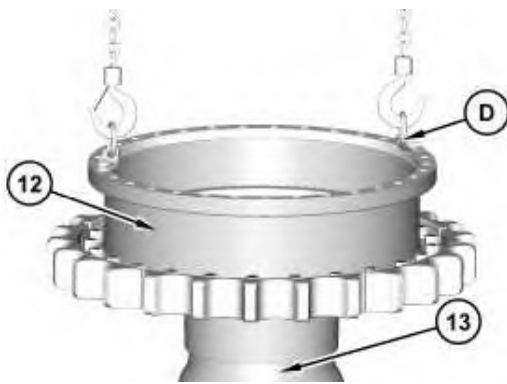
Illustration 7

g00841095

11. Install Tooling (C) on hub (12).

**Note:** Do not lift hub (12) too high. Do not allow hub (12) to contact the fitting on the hydraulic cylinder.

12. Use Tooling (C) to loosen hub (12) from spindle (13). Remove Tooling (C) .
  13. Remove bearing cone (11) .
-

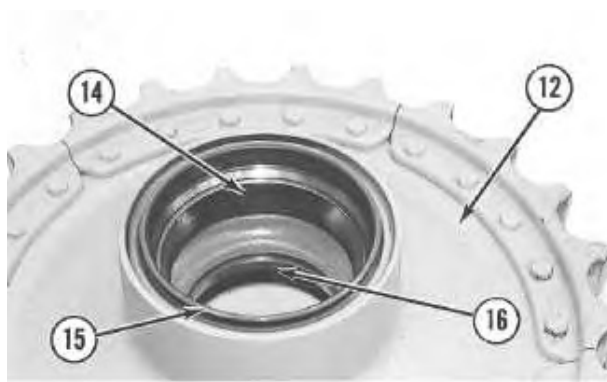


---

Illustration 8

g01195917

14. Install Tooling (D) and a suitable lifting device to hub (12). Remove hub (12) from spindle (13). The weight of hub (12) is approximately 180 kg (397 lb).



---

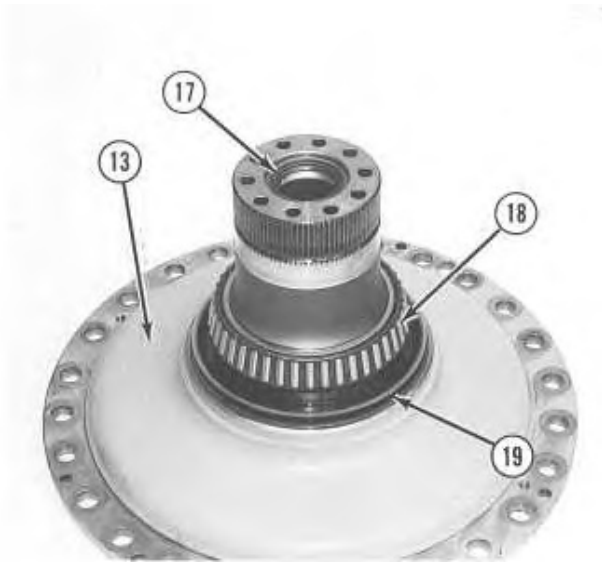
Illustration 9

g00841099

15. Turn over hub (12). Remove Duo-Cone seal kit (15). Use a hammer and a punch to remove bearing cup (16) .
16. Turn over the hub. Remove bearing cup (14) from the hub.

**Note:** If the Duo-Cone seal will be reused, mark the seal kits for installation purposes.

---



---

Illustration 10

g00841101

**Note:** Bearing cone (18) may be damaged if the bearing cone is removed from spindle (13) .

17. Remove Duo-Cone seal (19) from spindle (13) .
  18. If necessary, remove bearing cone (18) from the spindle.
  19. Remove lip seal (17) from spindle (13) .
-

Product: TRACK-TYPE TRACTOR

Model: D6R III TRACK-TYPE TRACTOR GMT

Configuration: D6R Series III TRACK-TYPE TRACTOR STD, XL Differential Steering GMT00001-UP (MACHINE) POWERED BY C9 Engine

## Disassembly and Assembly D6R Series III Track-Type Tractor Power Train

Media Number -REN8173-06

Publication Date -01/04/2018

Date Updated -26/04/2018

i06701251

## Final Drive - Assemble

SMCS - 4050-016

## Assembly Procedure

Table 1

Required Tools			
Tool	Part Number	Part Description	Qty
A	138-7573	Link Bracket	3
	1A-2029	Bolt	3
B	1P-0520	Driver Gp	1
D	138-7574	Link Bracket	2
	2A-1538	Bolt	2
E	8M-9395	Installer	1

1. Apply clean oil to all the parts during assembly.
-

Thank you so much for reading.  
Please click the “Buy Now!”  
button below to download the  
complete manual.



After you pay.

You can download the most  
perfect and complete manual in  
the world immediately.

Our support email:

[ebooklibonline@outlook.com](mailto:ebooklibonline@outlook.com)