



Service Repair Manual

Models

D6T TRACK-TYPE TRACTOR

Product: TRACK-TYPE TRACTOR

Model: D6T TRACK-TYPE TRACTOR 2B3

Configuration: D6T XL, XW, LGP Track-Type Tractor 2B300001-UP (MACHINE) POWERED BY C9.3 Engine

Disassembly and Assembly D6T Track Type Tractor Power Train

Media Number -M0073303-04

Publication Date -01/09/2018

Date Updated -06/09/2018

i06787110

Steering Planetary and Brake - Disassemble

SMCS - 4132-015

Disassembly Procedure

Table 1

Required Tools			
Tool	Part Number	Description	Qty
A	439-3940	Link Bracket	3
B	1P-0520	Driver Group	1
C	5B-4274	Forcing Bolt 3/8 - 16 by 3.5 inches	3

Start By:

- a. Remove the final drive, the planetary group, and the brake.
-

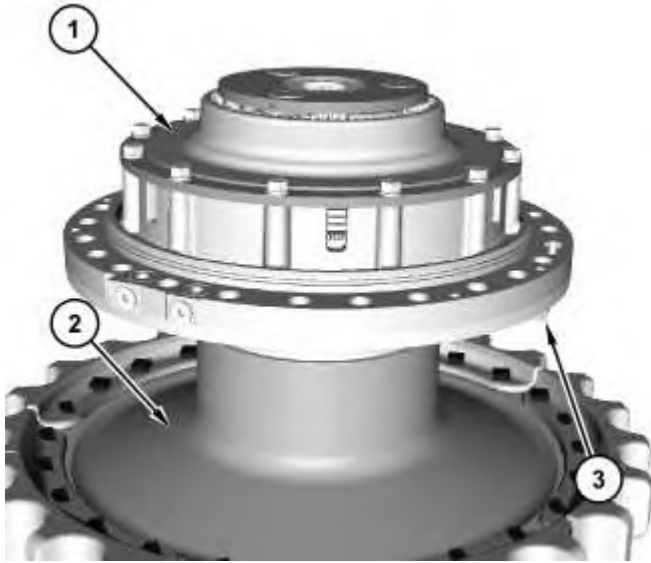


Illustration 1

g02355593

1. Position the final drive, the planetary group, and the brake, as shown.
2. Remove bolts (3) that hold the planetary group and brake (1) to final drive (2).
3. Attach Tooling (A) and a suitable lifting device to the planetary group and brake.
4. Install Tooling (C) in the final drive hub.
5. Tighten the forcing screws evenly in order to remove the planetary group and brake (1) from final drive (2). The weight of planetary group and brake (1) is approximately 136 kg (300 lb).

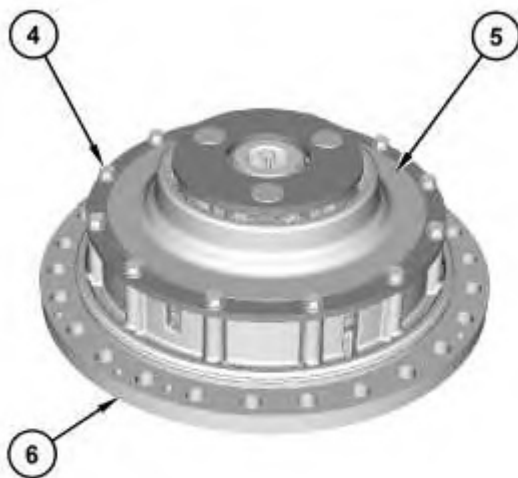


Illustration 2

g02355596

WARNING

Personal injury can result from parts and/or covers under spring pressure.

Spring force will be released when covers are removed.

Be prepared to hold spring loaded covers as the bolts are loosened.

6. Remove bolts (4). Remove ring gear (5) from housing (6).



Illustration 3

g02355619

7. Remove friction discs (7) and the brake plates from the housing.

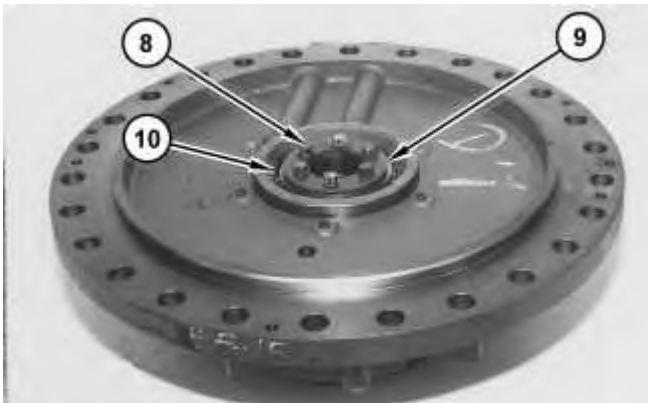


Illustration 4

g02355621

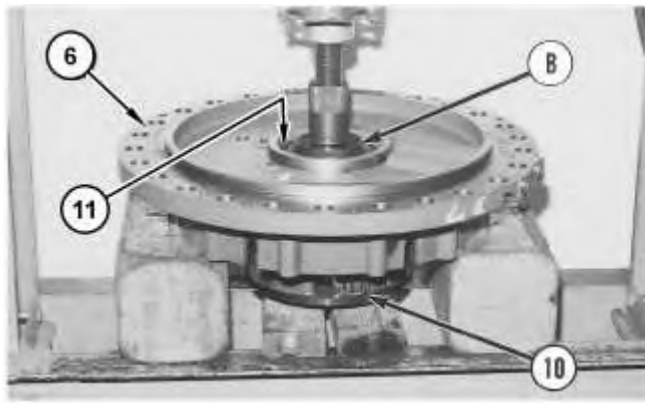


Illustration 5

g02355623

8. Remove bolts (8) and plate (9).
9. Position the housing on suitable cribbing.

Note: Do not allow planetary carrier (10) to fall when the carrier is pressed from housing (6).

Note: If a shim pack is present between the plate (9) and planetary carrier (10). Reuse the same shim pack during assembly only if reusing the same planetary carrier (10). If a new planetary carrier (10) is being used the shim pack should be discarded.

10. Use Tooling (B) and a suitable press to remove planetary carrier (10) from housing (6).
11. Remove bearing cone (11) from the housing.



Illustration 6

g01205303

12. Remove ring (14) from planetary carrier (10). Remove bolts (13). Remove slinger (12) from the planetary carrier.

NOTICE

The bearing is destroyed if the bearing is removed.

Thank you so much for reading.
Please click the “Buy Now!”
button below to download the
complete manual.



After you pay.

You can download the most
perfect and complete manual in
the world immediately.

Our support email:

ebooklibonline@outlook.com