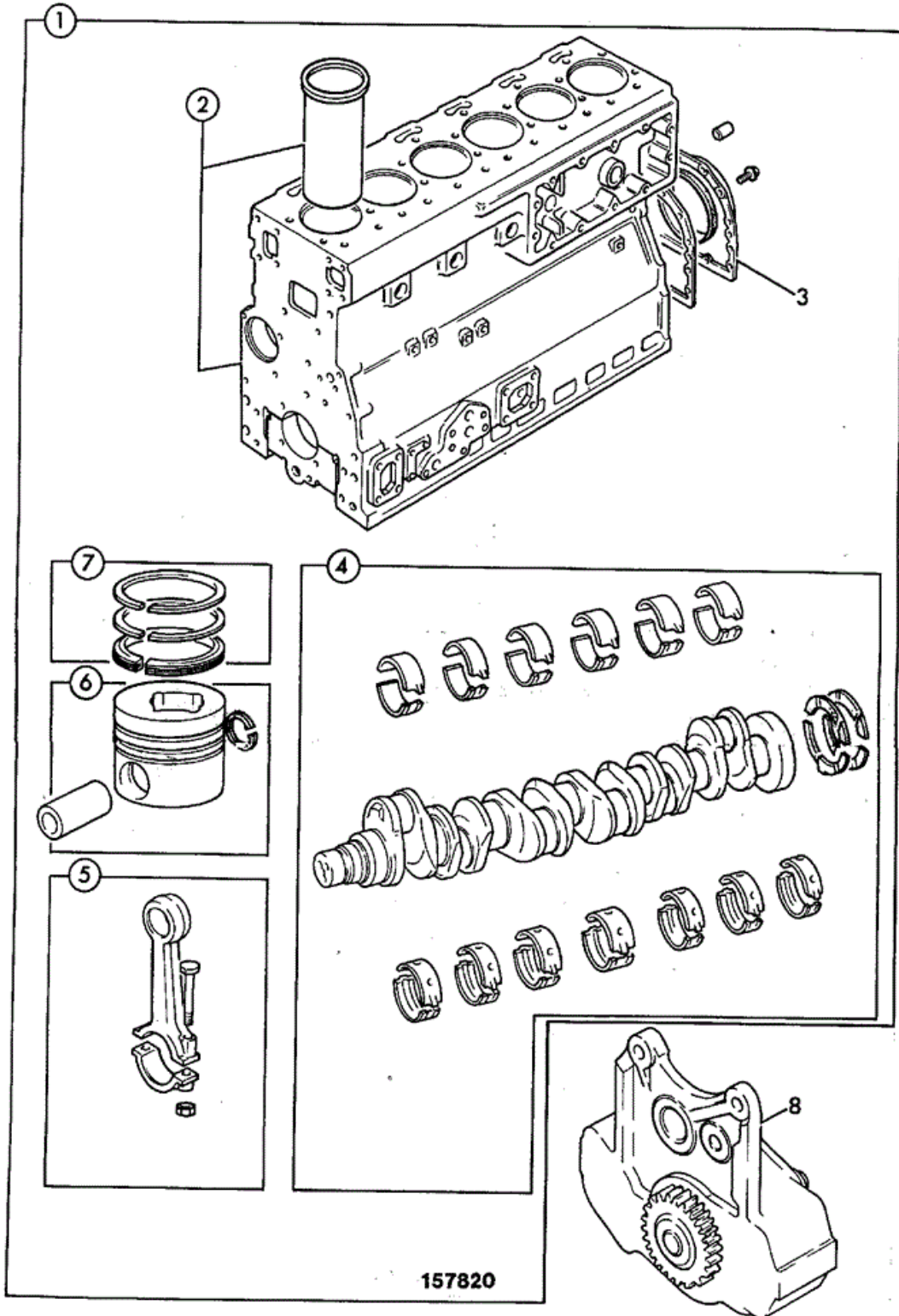




# 9802/6500 T1-2-2 ENGINE, SHORT YB BUILD

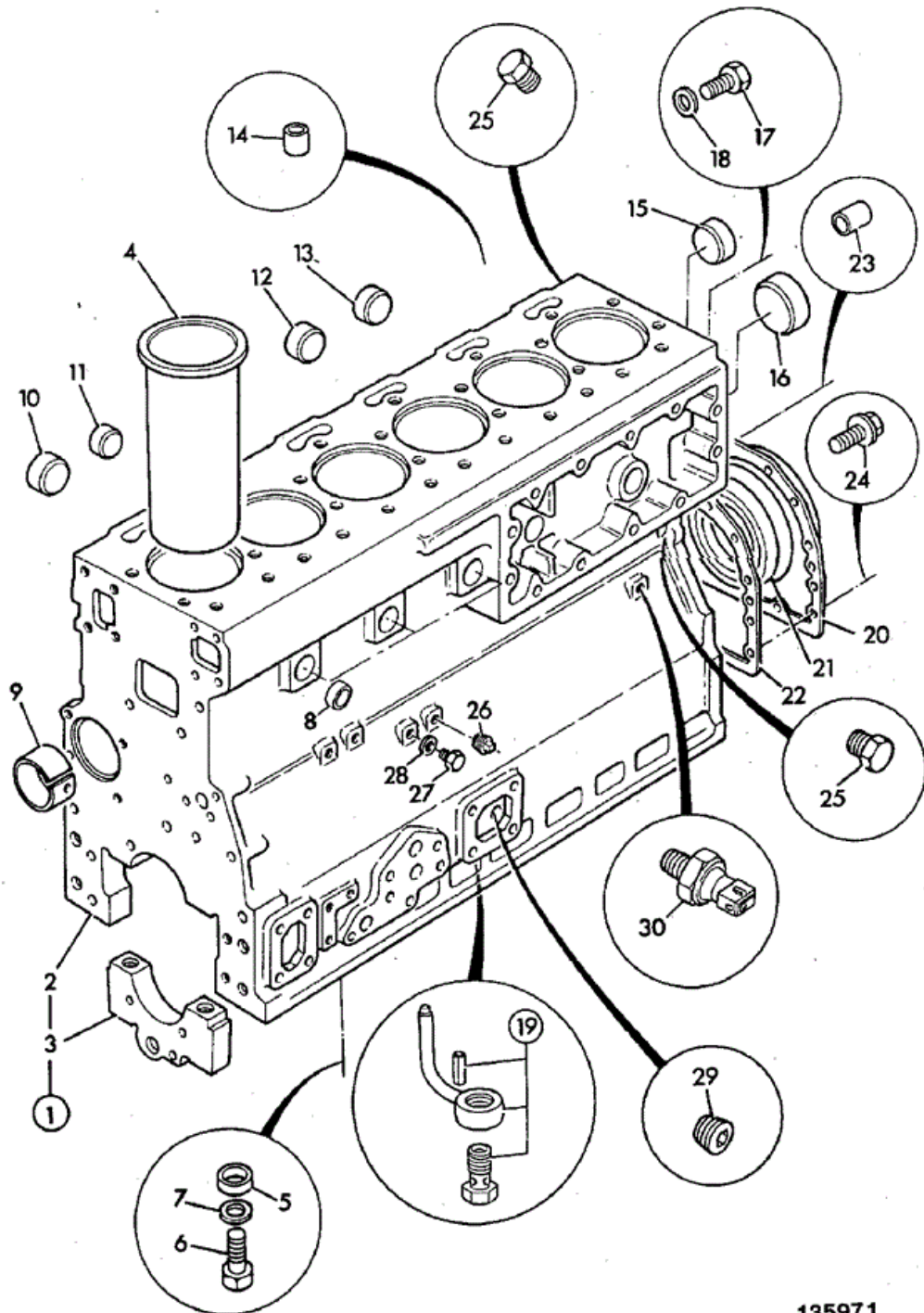


Item	Part #	Change No	Description	Usage Code	QTY
1	02/200661	Superseded	Engine short, 1006.6T <i>Services Engine builds YB50375 &amp; YB50431</i>		1
1	02/200663		Engine short, 1006-6T,turbo		1
2	****		'See Remark' <i>See frame T1-3-2 - Block assembly</i>		1
3	****		'See Remark' <i>See frame T1-3-2 - Housing,rear seal assembly</i>		1
4	****		'See Remark' <i>See frame T1-4-2 - Crankshaft assembly</i>		6
5	****		'See Remark' <i>See frame T1-4-2 - Con-rod assembly</i>		6
6	****		'See Remark' <i>See frame T1-4-2 - Piston assembly</i>		6
7	****		'See Remark' <i>See frame T1-4-2 - Piston ring kit</i>		1
8	****		'See Remark' <i>See frame T5-2-2 - Oil pump</i> <i>See Note 1</i>		1

*Note 1: Not included with item 1.*



# 9802/6500 T1-3-2 BLOCK ASSEMBLY YB BUILD

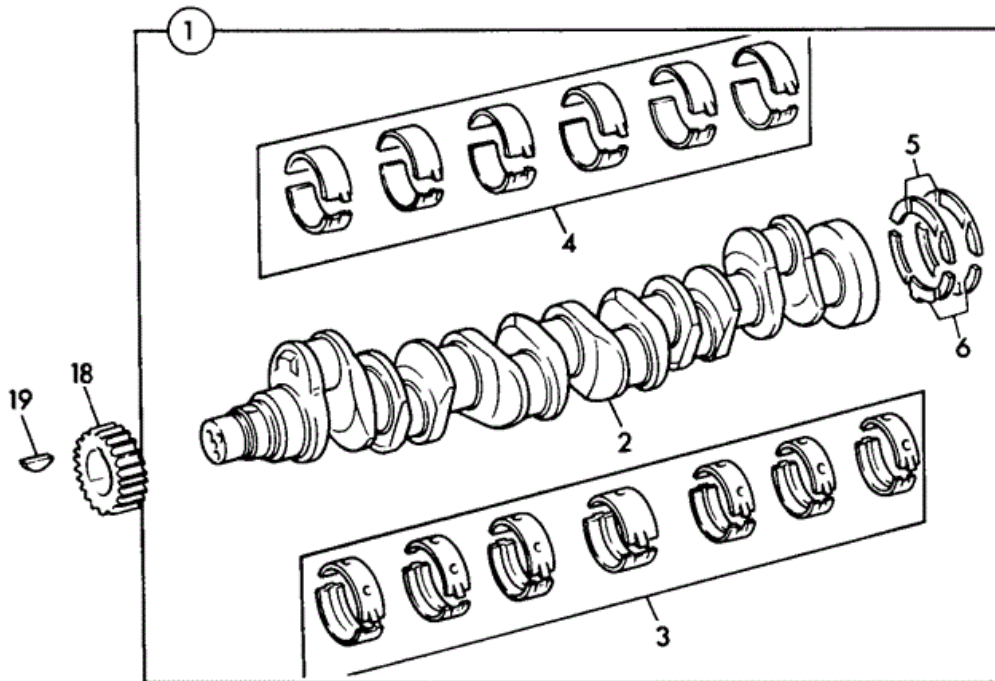
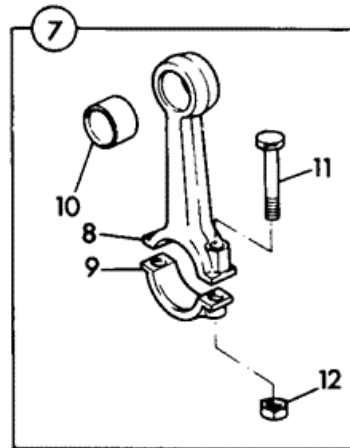
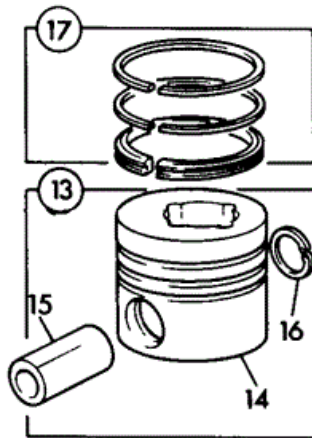


135971

Item	Part #	Change No	Description	Usage Code	QTY
1	02/200390		Block assembly		1
2	****		None serviced part <i>Block</i>		1
3	****		None serviced part <i>Cap</i>		7
4	:02/200949		Liner cylinder, press fit <i>See Note 1</i>		6
4	02/200002		Liner cylinder, slip fit		0
5	:02/100101		Thimble		14
6	:02/100102		Bolt		14
7	****		'See Remark' <i>Not fitted or required</i>		0
8	:02/200454		Plug core D=38mm		6
9	:02/192001		Bush camshaft		1
10	:02/200454		Plug core D=38mm		3
11	:02/200454		Plug core D=38mm		3
12	:02/200454		Plug core D=38mm		5
13	:02/101827		Plug		1
14	:02/100108		Plug		1
15	:02/200454		Plug core D=38mm		1
16	:02/100107		Plug core D=50mm		1
17	:02/100111		Plug		1
18	:823/00276		Washer		1
19	****		'See Remark' <i>See frame R5-3-1</i>		6
20	02/200523	Superseded	Housing rear seal		1
20	M.S.S	<EU559652X	Multi Supersession <i>See Note 2</i>		1
20A	02/200958	>EU559653X	Housing rear seal		1
21	:02/101436		Seal rear oil		1
22	02/100113	<EU559652X	Gasket rear seal housing		1
22A	02/201092	>EU559653X	Gasket rear seal housing		1
23	02/100308		Dowel		2
24	826/00869		Screw flange head		10
24A	826/00869	>EU559653X	Screw flange head		2
25	02/100132		Plug drain <i>Water drain</i>		2
25	02/100335		Tap drain <i>Alternative</i>		0
26	826/00765		Plug		1
27	****		'See Remark' <i>Not fitted or required</i>		1
28	****		'See Remark' <i>Not fitted or required</i>		1
29	02/100409		Plug taper threaded <i>Oil drain</i>		2
30	701/26800	Superseded	Switch oil pressure engine		1
30	701/41500	Superseded	Switch oil pressure		1
30	701/80225		Switch oil pressure 1/8" NPTF,AMP		1

*Note 1: Special tools for fitting, boring and honing required, For General Service use slip-fit.*

*Note 2: Part No Longer Available use 20A with items 22A,24A and 1 off 02/201094.*



096870

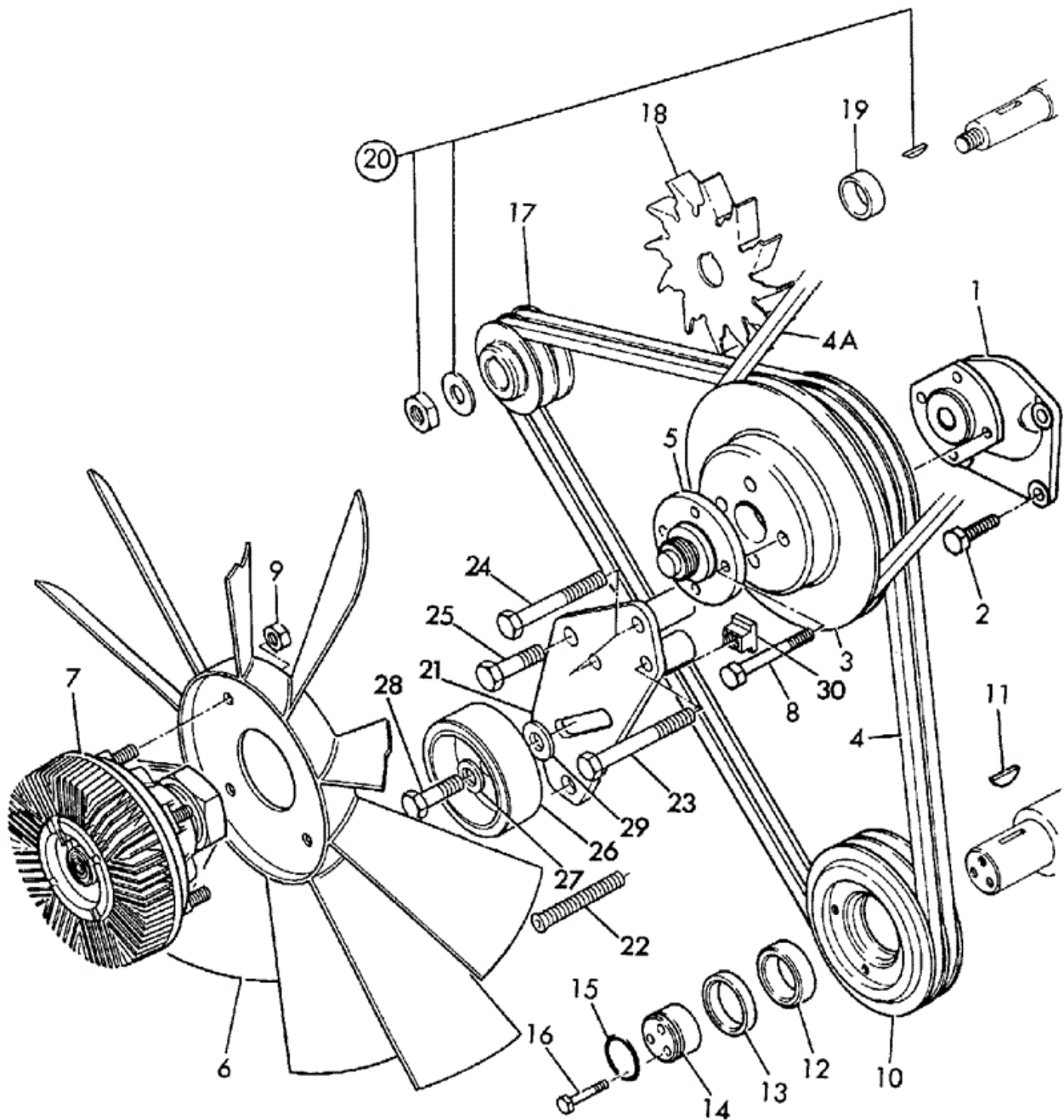
Item	Part #	Change No	Description	Usage Code	QTY
1	02/200385	Superseded	Crankshaft assembly <i>See Note 1</i>	P/Ex	1
1	02/202492		Crankshaft assembly		1
2	****		None serviced part <i>Crankshaft</i>		1
3	:02/290010		Kit-bearing main standard		1

3	02/290011		Kit-bearing main undersize - 0.25mm	1
3	02/290012		Kit-bearing main undersize - 0.50mm	1
3	02/290013		Kit-bearing main undersize - 0.75mm	1
4	:02/290018		Kit-bearing big end standard	1
4	02/290019		Kit-bearing big end undersize - 0.25mm	1
4	02/290020		Kit-bearing big end undersize - 0.50mm	1
4	02/290021		Kit-bearing big end undersize - 0.75mm	1
5	:02/192083		Washer thrust top - standard	2
5	02/192011		Washer thrust top-oversize 0.19mm	2
6	:02/192084		Washer thrust bottom - standard	2
6	02/192013		Washer thrust btm-oversize 0.19mm	2
7	02/101632	Superseded	Rod assembly connecting	6
7	02/102291		Rod connecting	6
8	****		None serviced part <i>Rod</i>	1
9	****		None serviced part <i>Cap</i>	1
10	:02/192019		Bush small end	1
11	:02/291072		Bolt	2
12	:02/100128		Nut	2
13	02/200689	Superseded	Piston assembly	6
13	02/200782	Superseded	Piston assembly	6
13	M.S.S		Multi Supersession <i>Part N.L.A use 13A with item 17A X 6</i> <i>See Note 2</i>	1
13A	02/202245		Piston assembly	6
14	****		None serviced part <i>Piston</i>	1
15	****		None serviced part <i>Gudgeon pin</i>	1
16	:02/100129		Circlip	2
17	02/200020		Kit-piston ring	6
17A	02/201140		Kit-piston ring	6
18	02/290001		Gear	1
19	02/100038		Key	1

Note 1: Items listed on this frame are for Engine Builds YB50375 and YB50431.

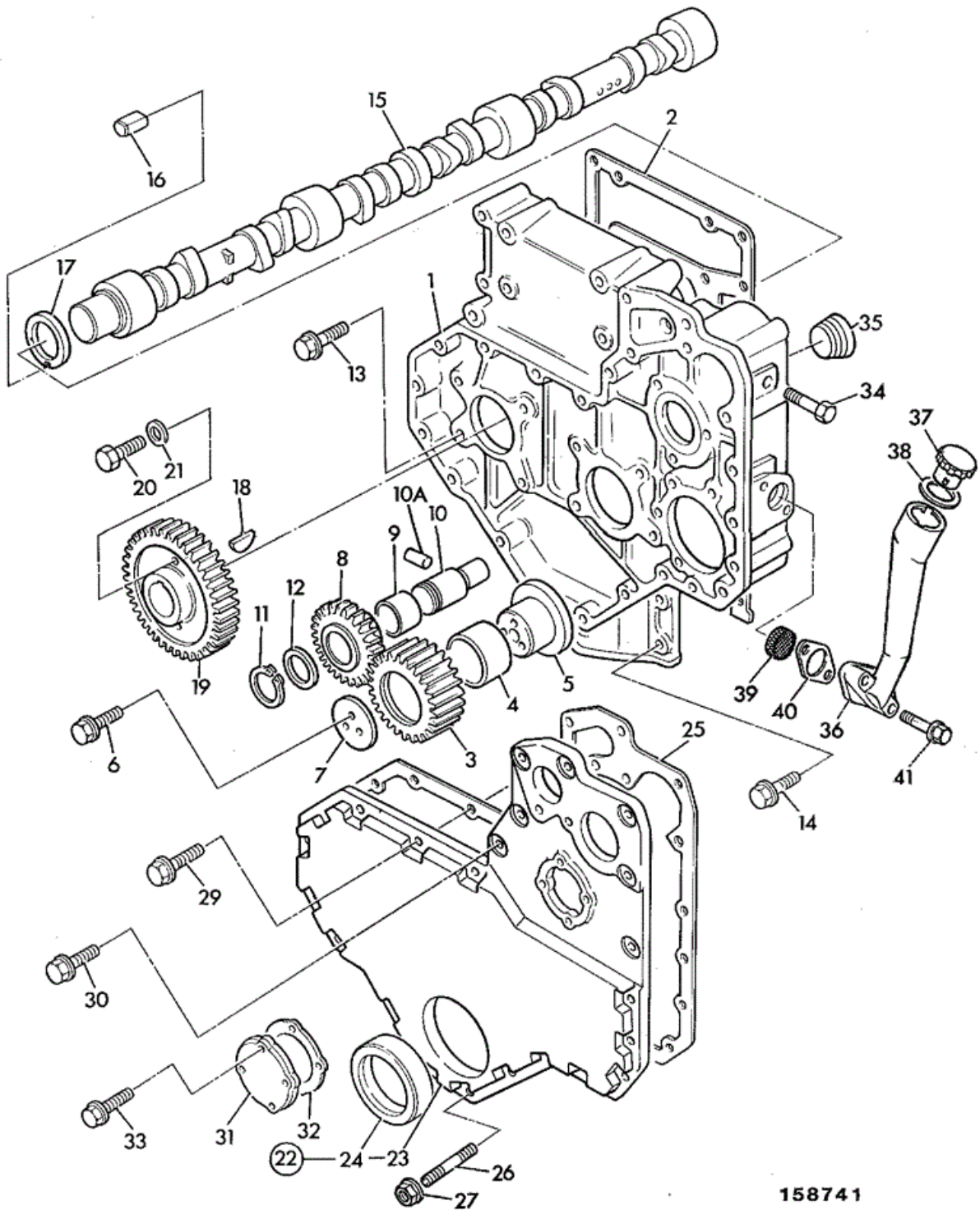
Note 2: MUST BE FITTED IN ENGINE SETS ONLY

**JCB** 9802/6500 T1-5-4 FANS, PULLEYS & FAN BELT, OPTIONAL  
YB BUILD



Item	Part #	Change No	Description	Usage Code	QTY
1	02/200370		Housing assembly, fan drive		1
2	02/291041		Bolt		4
3	02/200673		Pulley fan drive		1
4	02/200739		Belt fan, pair		1
4A	476/16601		Belt drive air conditioning <i>Air conditioning</i>		1
5	476/61901		Adapter fan drive		1
6	476/61402		Fan cooling		1
7	476/62200	Superseded	Coupling fan drive		1
7	476/61708		Coupling fan drive		1
8	1315/3311Z		Bolt (M8 X 45)		4
9	1370/0203Z		Nut Nut M8		4
10	02/200675		Pulley crankshaft		1
11	02/100380		Key		1
12	02/200228		Spacer		1
13	02/100408		Ring assembly Locking		1
14	02/100587		Block Thrust		1
15	828/00124		O Ring		1
16	02/100579		Screw		3
17	02/200743		Pulley alternator		1
18	714/20111		Fan		1
19	714/20110		Kit-spacer		1
20	714/06813		Kit-sundry parts		1
21	476/61005		Bracket mounting		1
22	826/01368		Capscrew countersunk		1
23	1315/3320Z		Bolt (M8 x 100)		1
24	1315/3314Z		Bolt (M8 x 60)		2
25	1315/0409Z		Setscrew M10 x 35		1
26	476/74901		Pulley belt tension		1
27	823/00303		Washer spring		1
28	1315/0407Z		Setscrew M10 x 25 mm		1
29	823/00448		Washer		1
30	476/61006		Nut 'T'		1





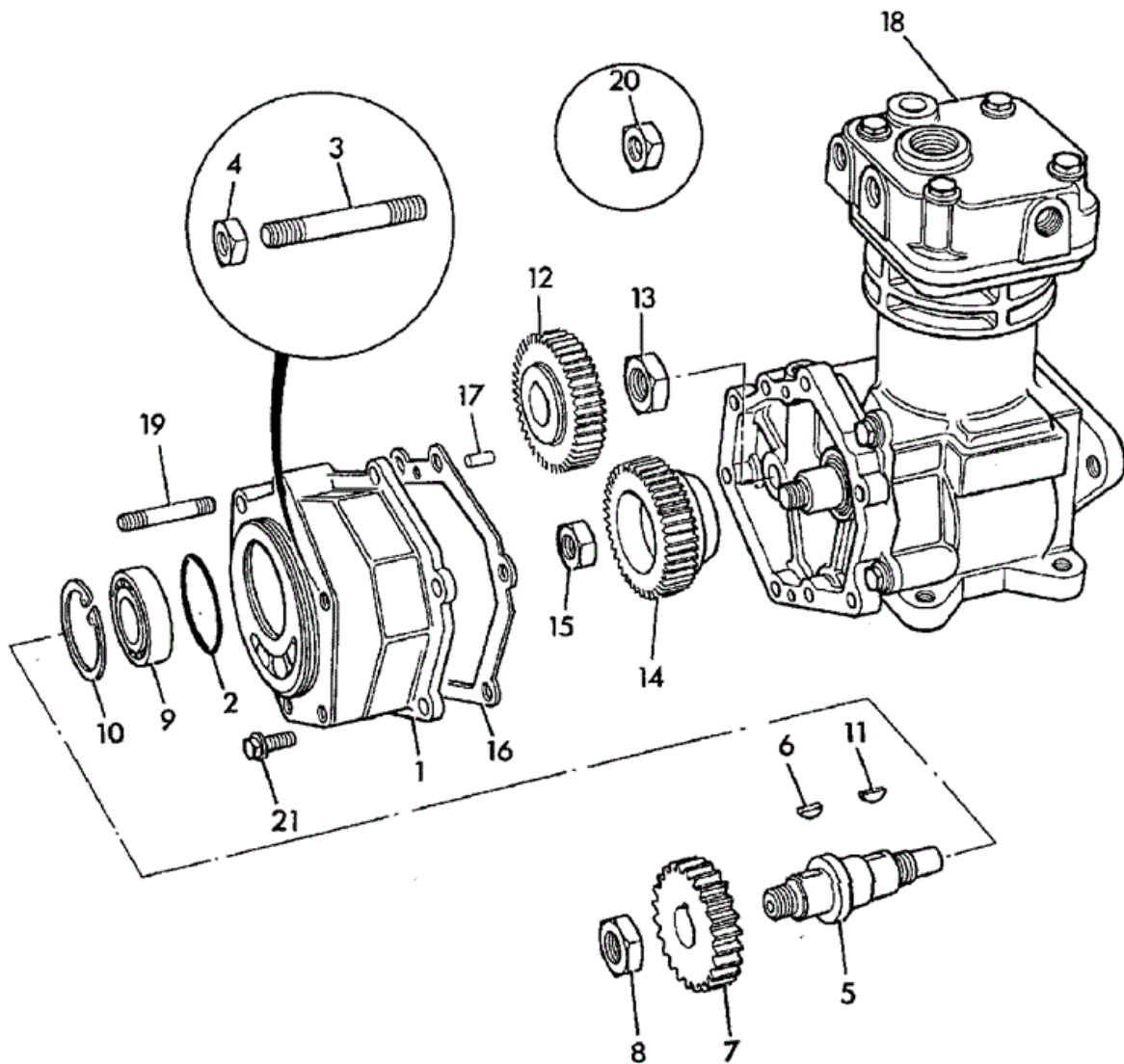
158741

Item	Part #	Change No	Description	Usage Code	QTY
1	02/200680	Superseded	Casing timing		1
1	M.S.S		Multi Supersession <i>See Note 1</i>		1
1A	02/200830		Case timing		1
2	02/200022		Gasket t/case to block		1
3	02/190033		Gear idler assembly		1

4	:02/192016		Bush	1
5	02/100041		Hub	1
6	02/291073		Screw	3
7	02/100042		Plate	1
8	02/290014		Gear idler, oil pump	1
9	:02/290006		Bush	1
10	02/290028		Shaft idler, oil pump	1
10A	2102/0813		Pin tension	1
11	02/100328		Circlip	1
12	02/200104		Washer	1
13	826/00869		Screw flange head	8
14	02/291017		Screw	4
15	02/200229		Camshaft	1
16	2102/0604		Dowel	1
17	02/192064		Washer thrust	1
18	02/100038		Key	1
19	02/190034		Gear camshaft	1
20	02/291047		Bolt	1
21	02/291065		Washer	1
22	02/200194		Cover timing	1
23	****		None serviced part <i>Cover</i>	1
24	:02/101435		Seal front oil	1
25	02/200195	Superseded	Gasket timing cover	1
25	02/200728		Gasket timing cover	1
26	02/291051		Stud	2
27	02/291058		Nut flanged M8	2
29	02/291017		Screw	7
30	02/291026		Bolt	6
31	02/200028		Cover inspection	1
32	02/200029		Gasket inspection cover	1
33	02/291014		Bolt	4
34	02/200043		Plug	1
35	02/100409		Plug taper threaded	1
36	476/61101		Tube oil filler	1
37	02/200039		Cap oil filler	1
38	02/200040		Seal	1
39	02/200037		Strainer	1
40	02/200038		Gasket	1
41	02/291023		Bolt	2

Note 1: Part N.L.A use item 1A with 1 off 02/200829, 02/291017 and 6 off 02/291018.

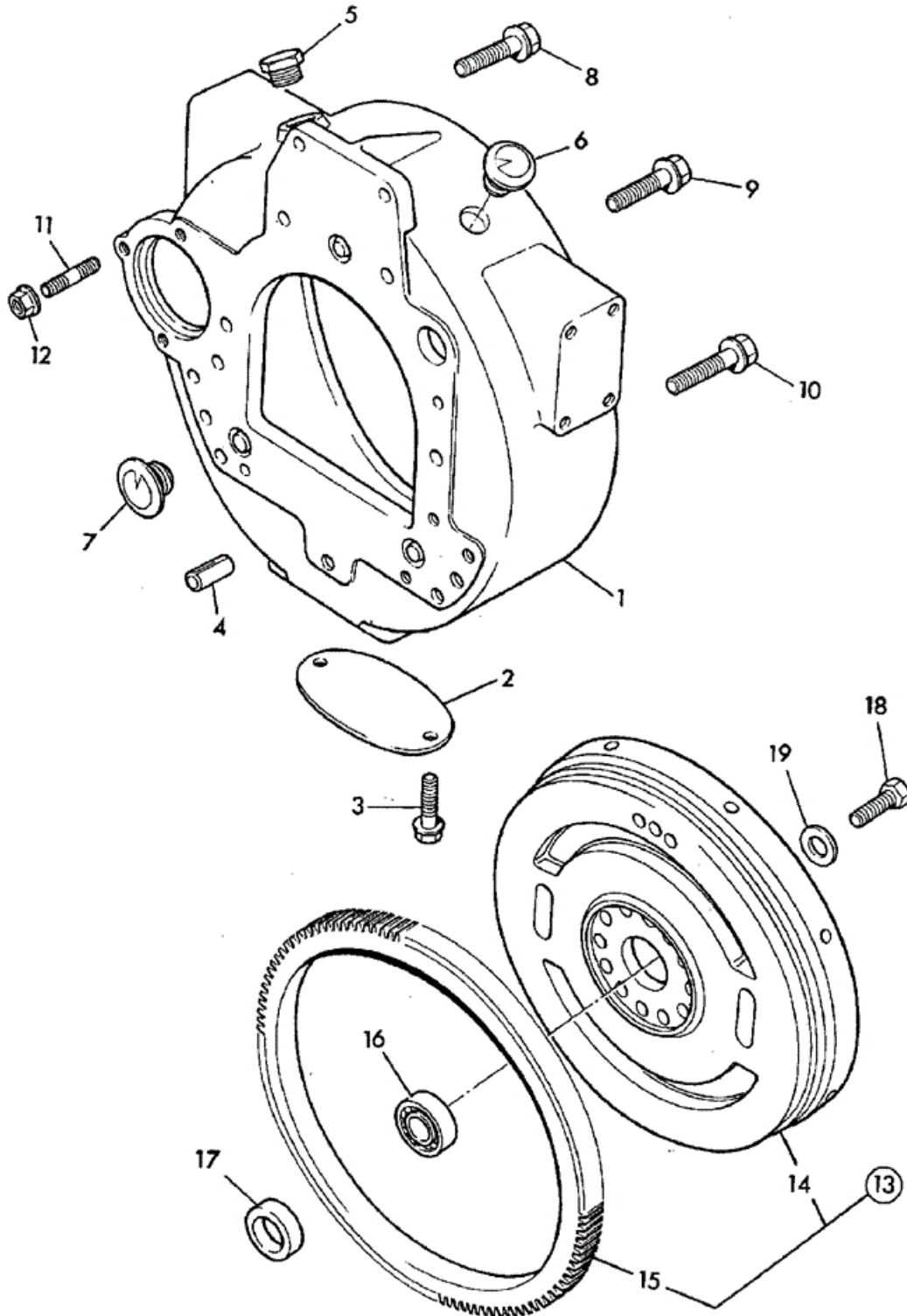
**JCB** 9802/6500 T1-6-13 TIMING CASE, AUXILIARY DRIVE, YB  
BUILD



Item	Part #	Change No	Description	Usage Code	QTY
1	02/200527		Housing auxiliary drive gear		1
2	02/200498		O Ring		1
3	02/291053		Stud		1
4	02/291058		Nut flanged M8		1
5	02/200528		Shaft drive		1
6	02/100096		Key		1
7	02/290024		Gear		1
8	02/291137		Nut		1
9	02/200529		Bearing ball		1
10	02/101552		Circlip		1
11	02/100096		Key		1
12	02/290025		Gear		1
13	02/291137		Nut		1
14	02/290026		Gear		1
15	02/291137		Nut		1
16	02/200532		Gasket		1
17	02/100308		Dowel		2
18	****		'See Remark' <i>Compressor, see T7 index</i>		1
19	02/291053		Stud		5
20	02/291058		Nut flanged M8		5
21	02/291017		Screw		3



# 9802/6500 T1-7-6 FLYWHEEL & HOUSING, YB BUILD

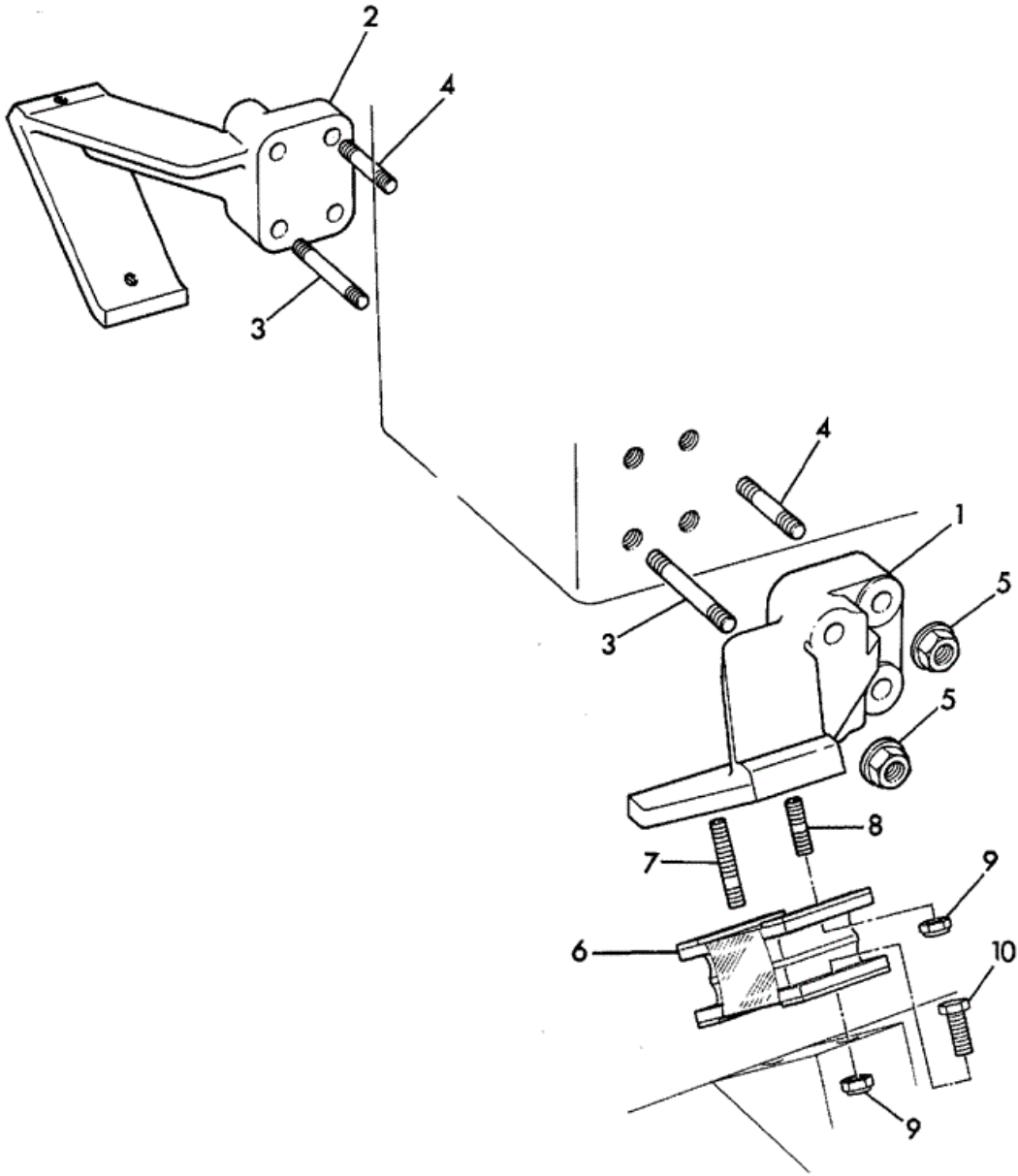


157921

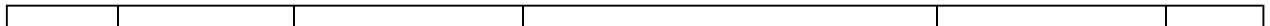
Item	Part #	Change No	Description	Usage Code	QTY
1	02/200500		Housing flywheel		1
2	02/200042		Plate Cover		1
3	02/291009		Bolt		2
4	02/100361		Dowel		2
5	02/200043		Plug		1
6	02/101441		Plug		1
7	02/101459		Plug		1
8	02/291047		Bolt		2
9	02/291037		Bolt		3
10	02/291037		Bolt		6
11	02/291002		Stud		3
12	02/291059		Nut		3
13	02/200530		Flywheel assembly		1
14	****		None serviced part <i>Flywheel</i>		1
15	:02/100540		Gear starter ring		1
16	916/06000		Bearing spigot		1
17	02/200698		Plug		1
18	1305/0410Z		Bolt 1/2" x 1.1/2" long		12
19	02/100614	Superseded	Washer		12
19	02/200725		Washer		12



# 9802/6500 T1-8-6 ENGINE MOUNTINGS, YB BUILD



157930



Thank you so much for reading.  
Please click the “Buy Now!”  
button below to download the  
complete manual.



After you pay.

You can download the most  
perfect and complete manual in  
the world immediately.

Our support email:

[ebooklibonline@outlook.com](mailto:ebooklibonline@outlook.com)