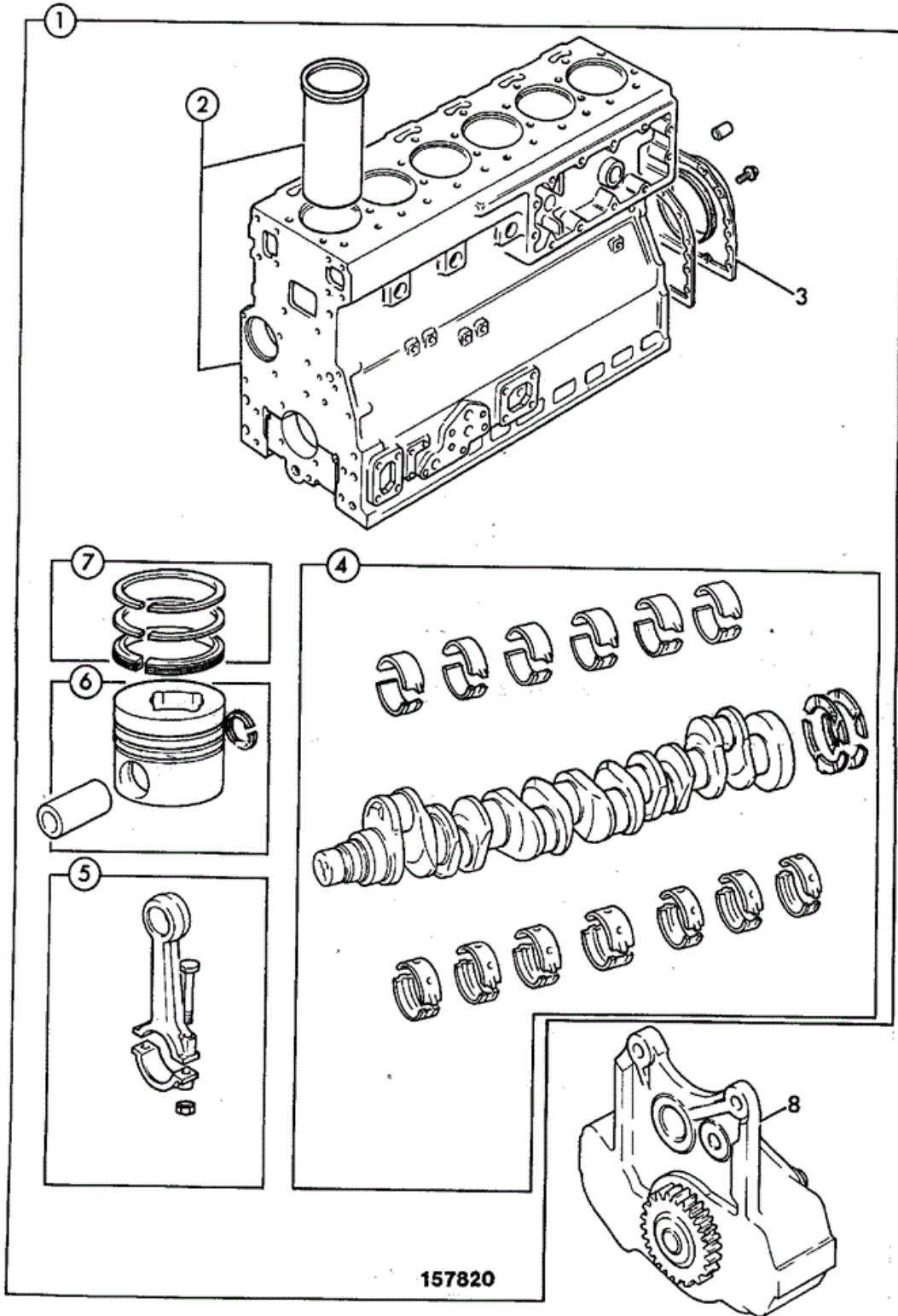




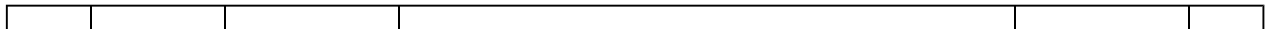
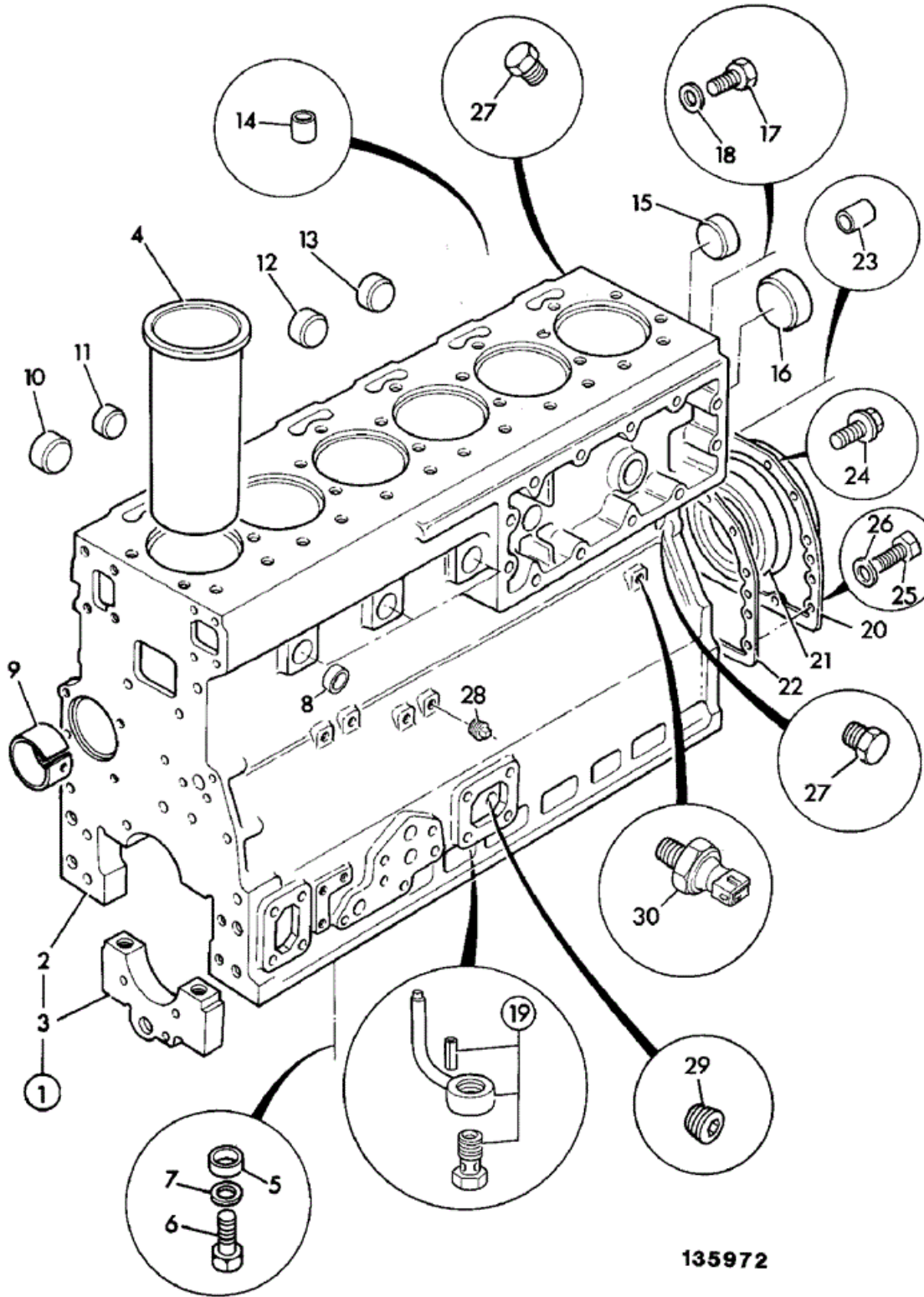
9802/6600 T1-2-2 ENGINE, SHORT YB BUILD



Item	Part #	Change No	Description	Usage Code	QTY
1	02/200664		Engine short		1
2	****		'See Remark' <i>See frame T1-3-2, Block assembly</i>		1
3	****		'See Remark' <i>See frame T1-3-2, Housing, rear seal assembly</i>		1
4	****		'See Remark' <i>See frame T1-4-2, Crankshaft assembly</i>		6
5	****		'See Remark' <i>See frame T1-4-2, Con-rod assembly</i>		6
6	****		'See Remark' <i>See frame T1-4-2, Piston assembly</i>		6
7	****		'See Remark' <i>See frame T1-4-2, Piston ring kit</i>		1
8	****		'See Remark' <i>See frame T5-2-2, Oil pump</i>		1

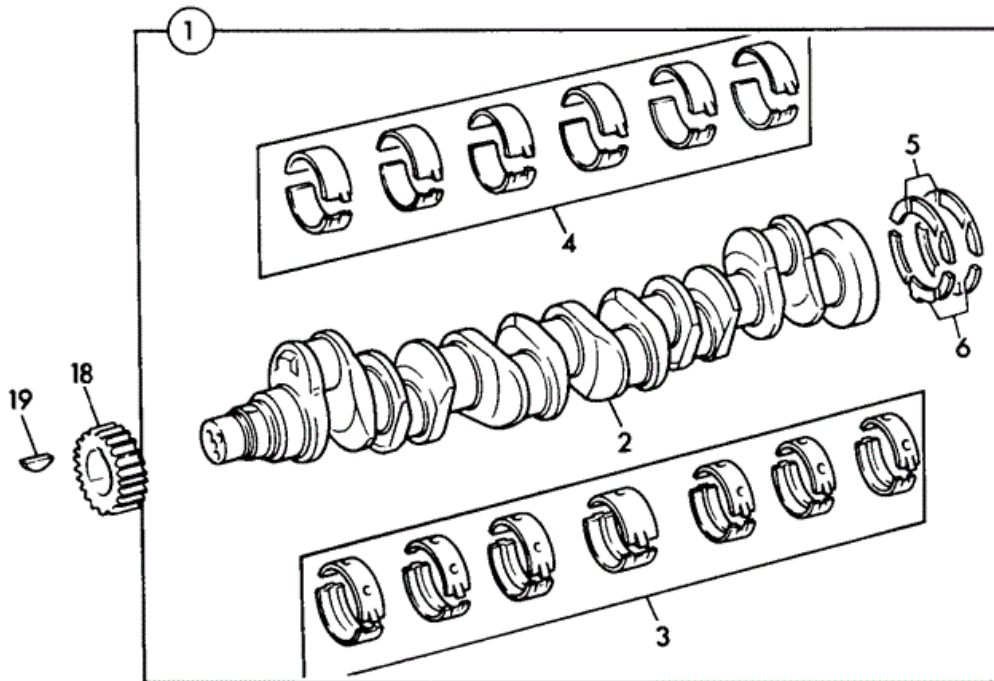
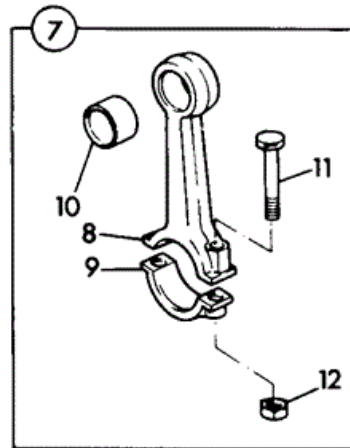
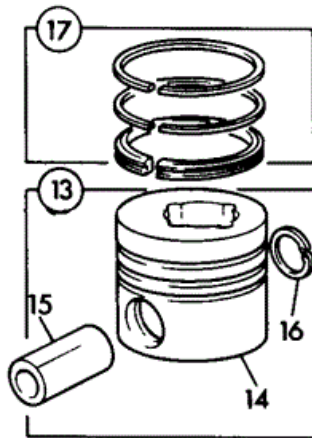


9802/6600 T1-3-2 BLOCK ASSEMBLY YB BUILD



Item	Part #	Change No	Description	Usage Code	QTY
1	02/200390		Block assembly		1
2	****		None serviced part <i>Block</i>		1
3	****		None serviced part <i>Cap</i>		7
4	:02/200949		Liner cylinder, press fit <i>See Note 1</i>		6
4	02/200002		Liner cylinder, slip fit		6
5	:02/100101		Thimble		14
6	:02/100102		Bolt		14
7	:02/100615		Washer		14
8	:02/200454		Plug core D=38mm		6
9	:02/192001		Bush camshaft		1
10	:02/200454		Plug core D=38mm		3
11	:02/200454		Plug core D=38mm		3
12	:02/200454		Plug core D=38mm		5
13	:02/101827		Plug		1
14	:02/100108		Plug		1
15	:02/200454		Plug core D=38mm		1
16	:02/100107		Plug core D=50mm		1
17	:02/100111		Plug		1
18	:02/200828		Washer		1
19	****		'See Remark' <i>See frame T5-3-1</i>		6
20	02/200523		Housing rear seal		1
21	:02/101436		Seal rear oil		1
22	02/100113		Gasket rear seal housing		1
23	02/100308		Dowel		2
24	826/00869		Screw flange head		10
25	1391/3307Z		Capscrew M8x25mm		2
26	02/100307		Washer		2
27	02/100132		Plug drain <i>Water</i>		2
27	02/100335		Tap drain <i>Alternative</i>		0
28	826/00765		Plug		1
29	02/100409		Plug taper threaded <i>Oil drain</i>		2
30	701/41500	Superseded	Switch oil pressure		1
30	701/80225		Switch oil pressure 1/8" NPTF,AMP		1

Note 1: Special Tools for fitting, boring and honing required. General Service use slip-fit type.

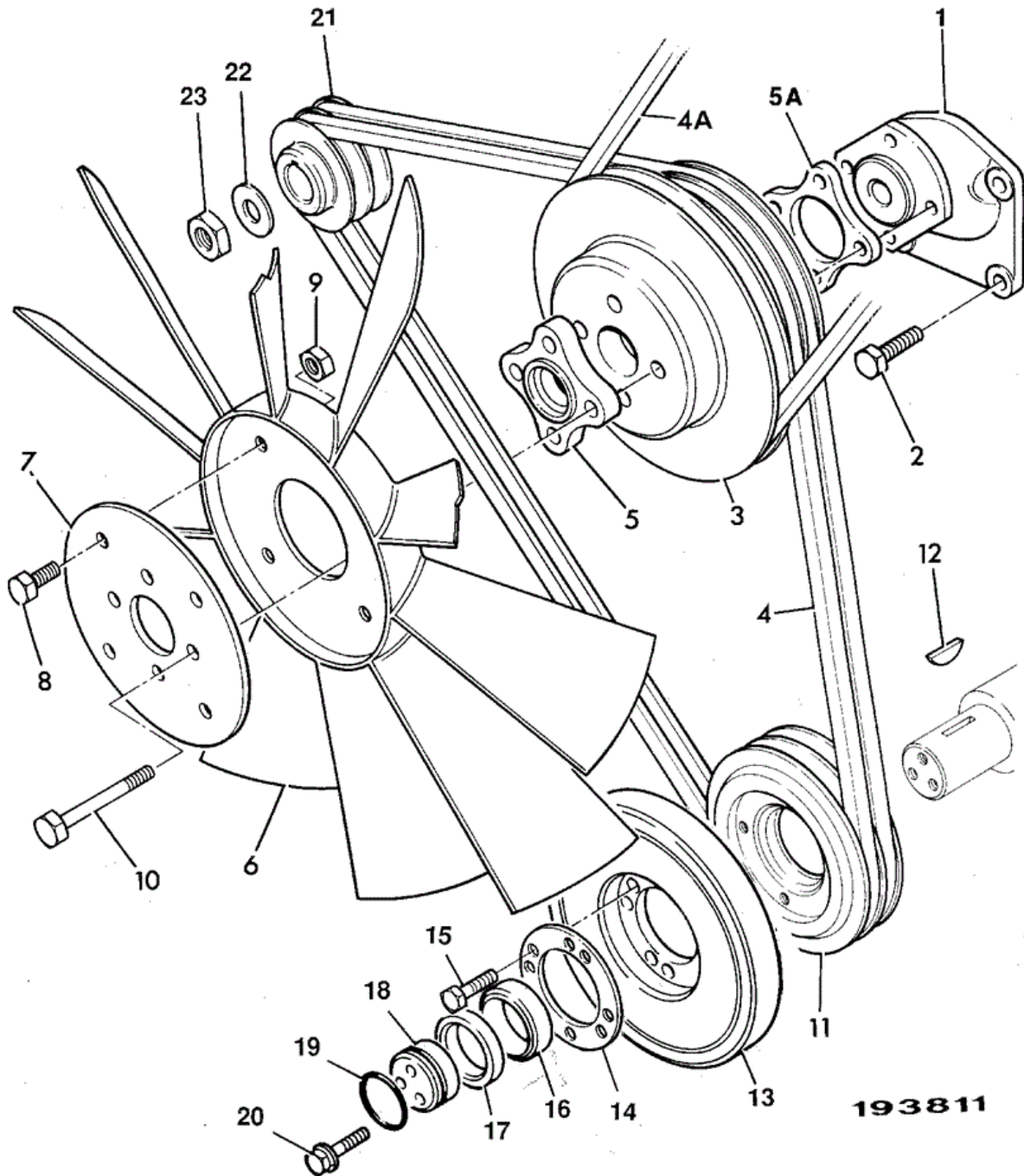


096870

Item	Part #	Change No	Description	Usage Code	QTY
1	02/200385	Superseded	Crankshaft assembly	P/Ex	1
1	02/202492		Crankshaft assembly		1
2	****		None serviced part <i>Crankshaft</i>		1
3	:02/290010		Kit-bearing main standard		1
3	02/290011		Kit-bearing main undersize - 0.25mm		1

3	02/290012		Kit-bearing main undersize - 0.50mm	1
3	02/290013		Kit-bearing main undersize - 0.75mm	1
4	:02/290018		Kit-bearing big end standard	1
4	02/290019		Kit-bearing big end undersize - 0.25mm	1
4	02/290020		Kit-bearing big end undersize - 0.50mm	1
4	02/290021		Kit-bearing big end undersize - 0.75mm	1
5	:02/192083		Washer thrust top - standard	2
5	02/192011		Washer thrust top-oversize 0.19mm	2
6	:02/192084		Washer thrust bottom - standard	2
6	02/192013		Washer thrust btm-oversize 0.19mm	2
7	02/101632	Superseded	Rod assembly connecting	6
7	02/102291		Rod connecting	6
8	****		None serviced part <i>Rod</i>	1
9	****		None serviced part <i>Cap</i>	1
10	:02/192019		Bush small end	1
11	:02/291072		Bolt	2
12	:02/100128		Nut	2
13	02/200870		Piston assembly <i>Single cylinder replacement only.Raise techweb call for correct replacement part</i>	6
13.1	333/C8179		Kit piston 6 cyl full engine set	6
14	****		None serviced part <i>Piston</i>	1
15	****		None serviced part <i>Gudgeon pin</i>	1
16	:02/100129		Circlip	2
17	02/200859		Kit-piston ring	6
18	02/290001		Gear	1
19	02/100038		Key	1

JCB 9802/6600 T1-5-2 FANS, PULLEYS & FAN BELT YB & YD
 BUILDS

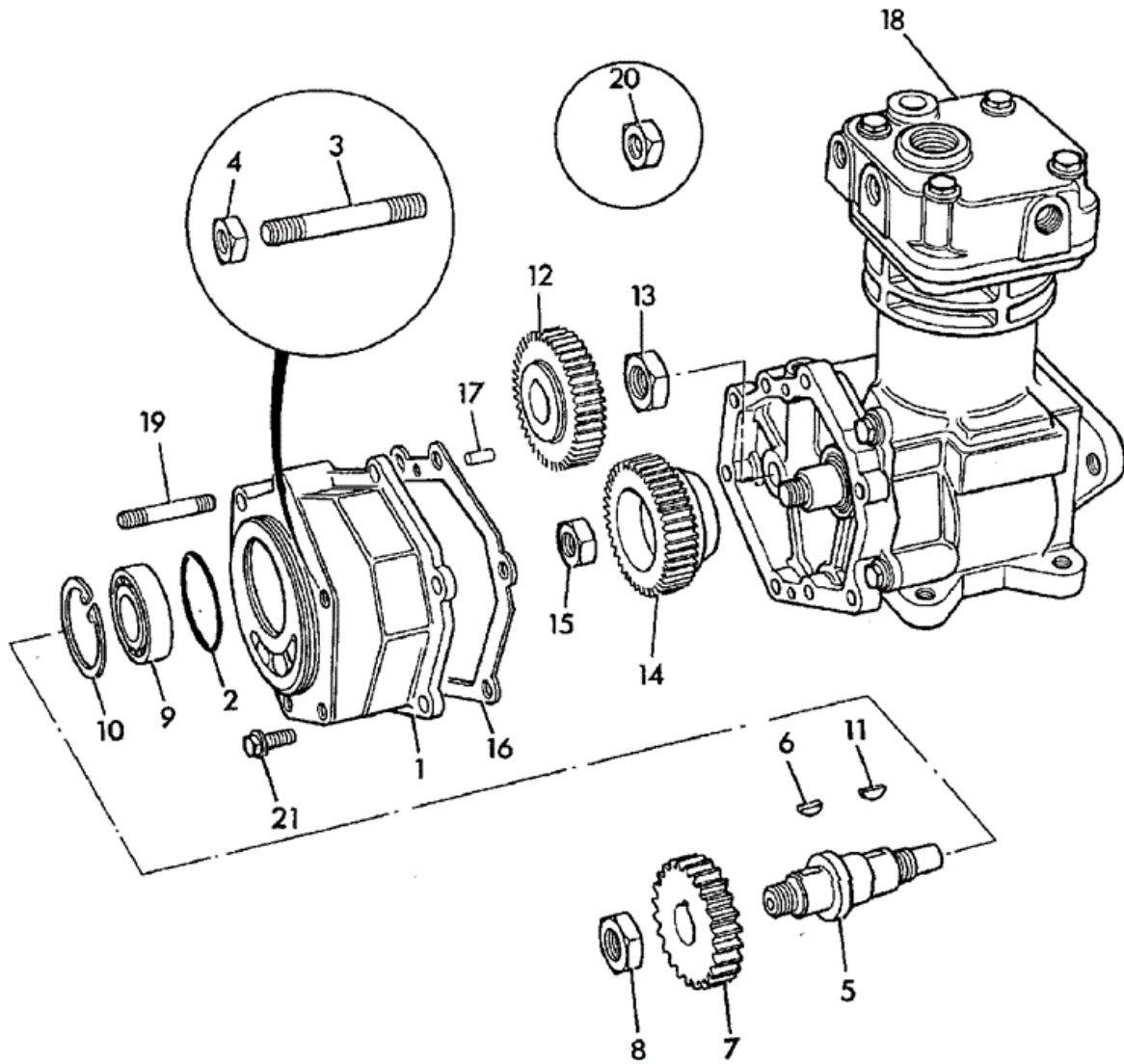


Item	Part #	Change No	Description	Usage Code	QTY
1	02/200370	<EU617473A	Housing assembly, fan drive		1

1A	02/201357	>EU617474A	Housing fan drive, assembly	1
2	02/291041		Bolt	4
3	477/00498		Pulley fan drive	1
4	02/200521		Belt fan, pair	1
4A	476/16601		Belt drive air conditioning <i>Air conditioning</i>	1
5	02/100097		Spacer fan 50.8mm	1
5A	02/201327	>EU617474A	Spacer fan, 16mm	1
6	477/00142		Fan cooling	1
7	476/61401		Plate fan adapter	1
8	1315/0305Z		Setscrew M8 x 20	4
9	1370/0203Z		Nut Nut M8	4
10	1315/3319Z	<EU617473A	Bolt M8 x 90 mm	4
10A	1315/3320Z	>EU617474A	Bolt (M8 x 100)	4
11	02/200881		Pulley crankshaft	1
12	02/100380		Key	1
13	02/200882		Damper crankshaft vibration	1
14	****		'See Remark' <i>Not fitted or required</i>	1
15	02/291158		Screw	8
16	02/200228		Spacer	1
17	02/100408		Ring assembly Locking	1
18	02/100587		Block Thrust	1
19	828/00124		O Ring	1
20	02/100579		Screw	3
21	02/200894		Pulley alternator twin groove	1
22	714/22505		Nut	1
23	714/22506		Washer bellville	1



9802/6600 T1-6-2 TIMING CASE AUXILIARY DRIVE



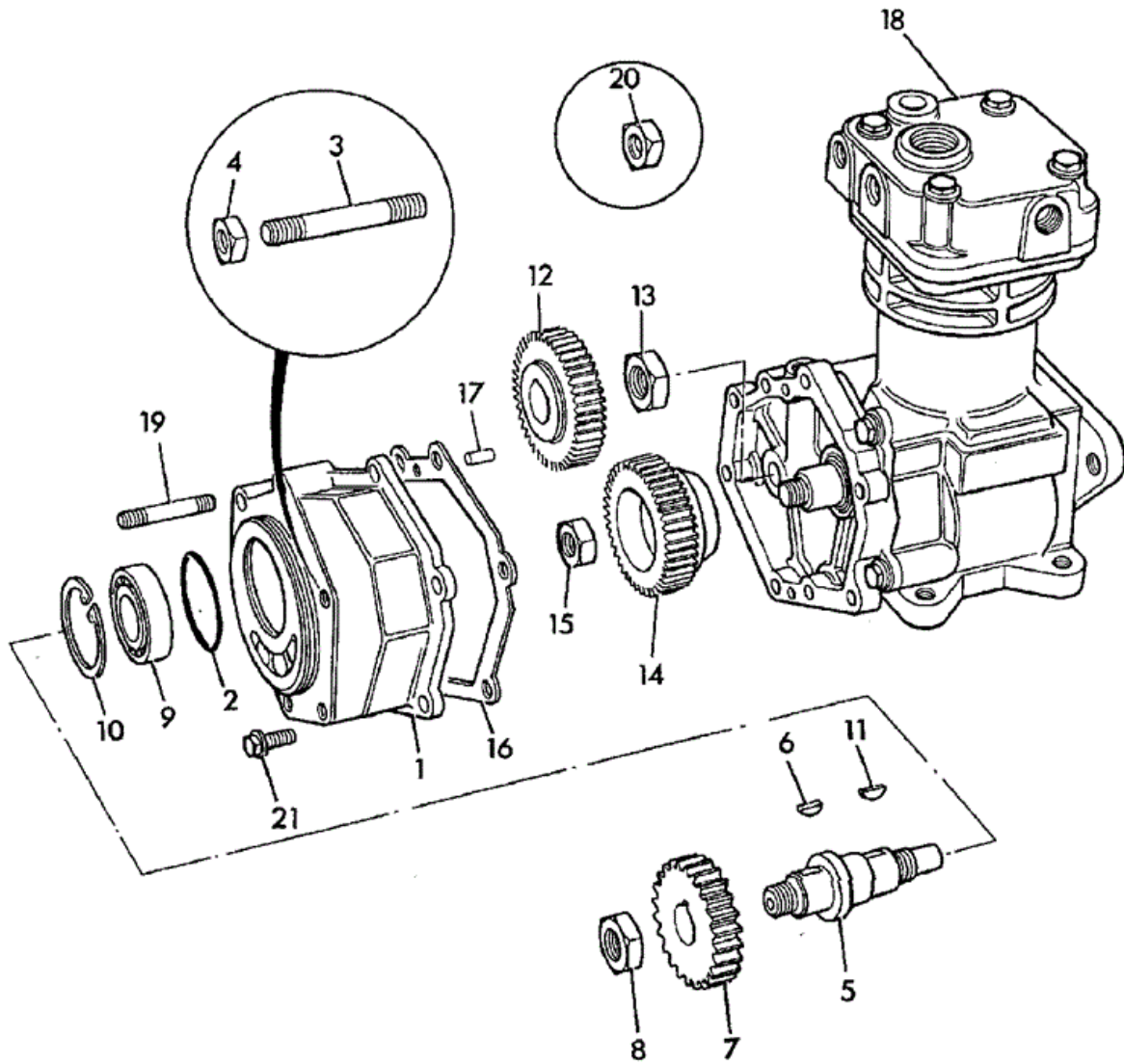
157980

Item	Part #	Change No	Description	Usage Code	QTY
------	--------	-----------	-------------	------------	-----

1	02/200527		Housing auxiliary drive gear	1
2	02/200498		O Ring	1
3	02/291053		Stud	1
4	02/291058		Nut flanged M8	1
5	02/200528		Shaft drive	1
6	02/100096		Key	1
7	02/290024		Gear	1
8	02/291137		Nut	1
9	02/200529		Bearing ball	1
10	02/101552		Circlip	1
11	02/100096		Key	1
12	02/290025		Gear	1
13	02/291137		Nut	1
14	02/290026		Gear	1
15	02/291137		Nut	1
16	02/200532		Gasket	1
17	02/100308		Dowel	2
18	****		'See Remark' <i>Compressor, see T7 index</i>	1
19	02/291053		Stud	5
20	02/291058		Nut flanged M8	5
21	02/291017	<EU.TBA	Screw	3
21	02/291017		Screw	4



9802/6600 T1-6-3 TIMING CASE AUXILIARY DRIVE



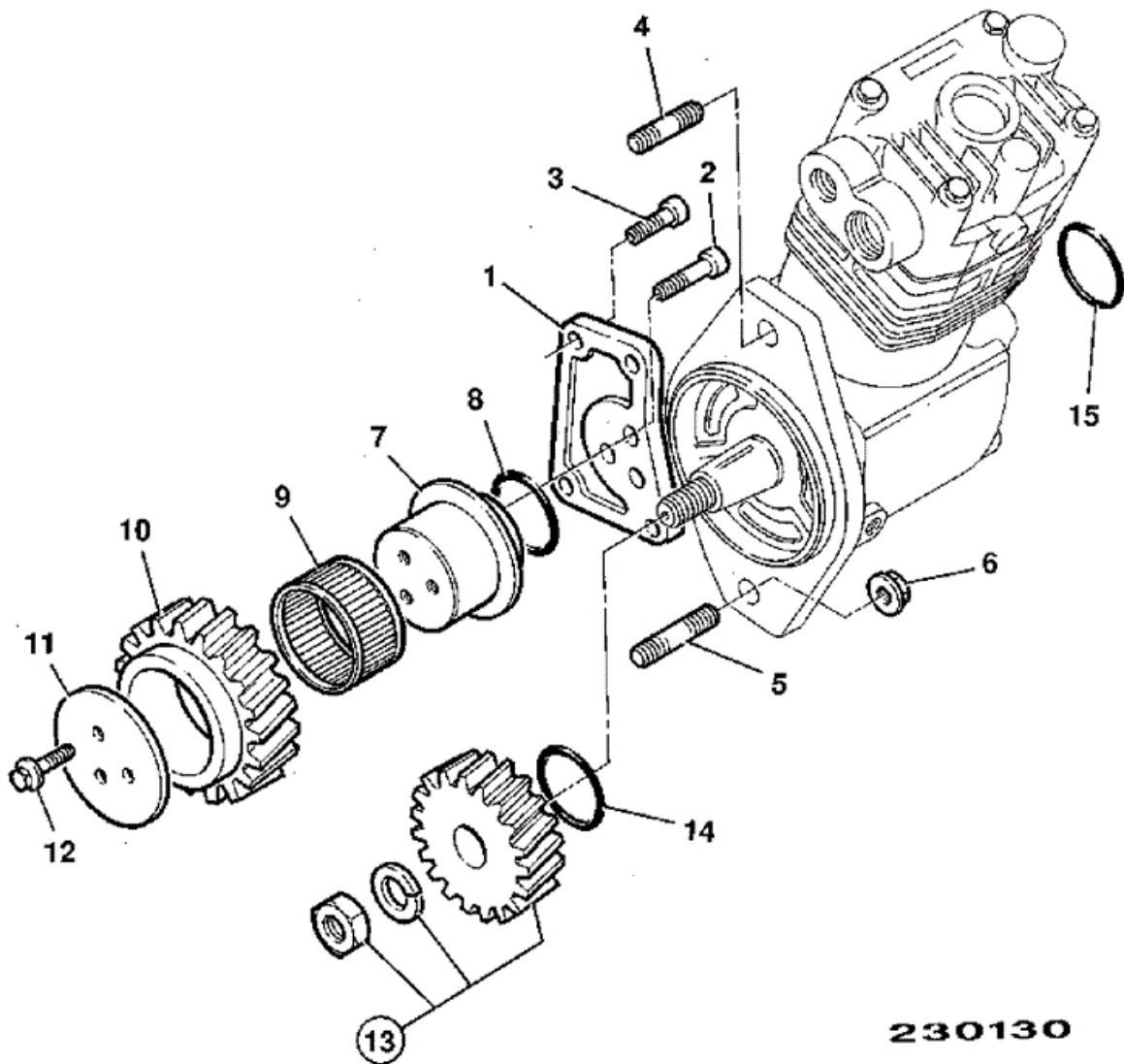
157980

Item	Part #	Change No	Description	Usage Code	QTY
------	--------	-----------	-------------	------------	-----

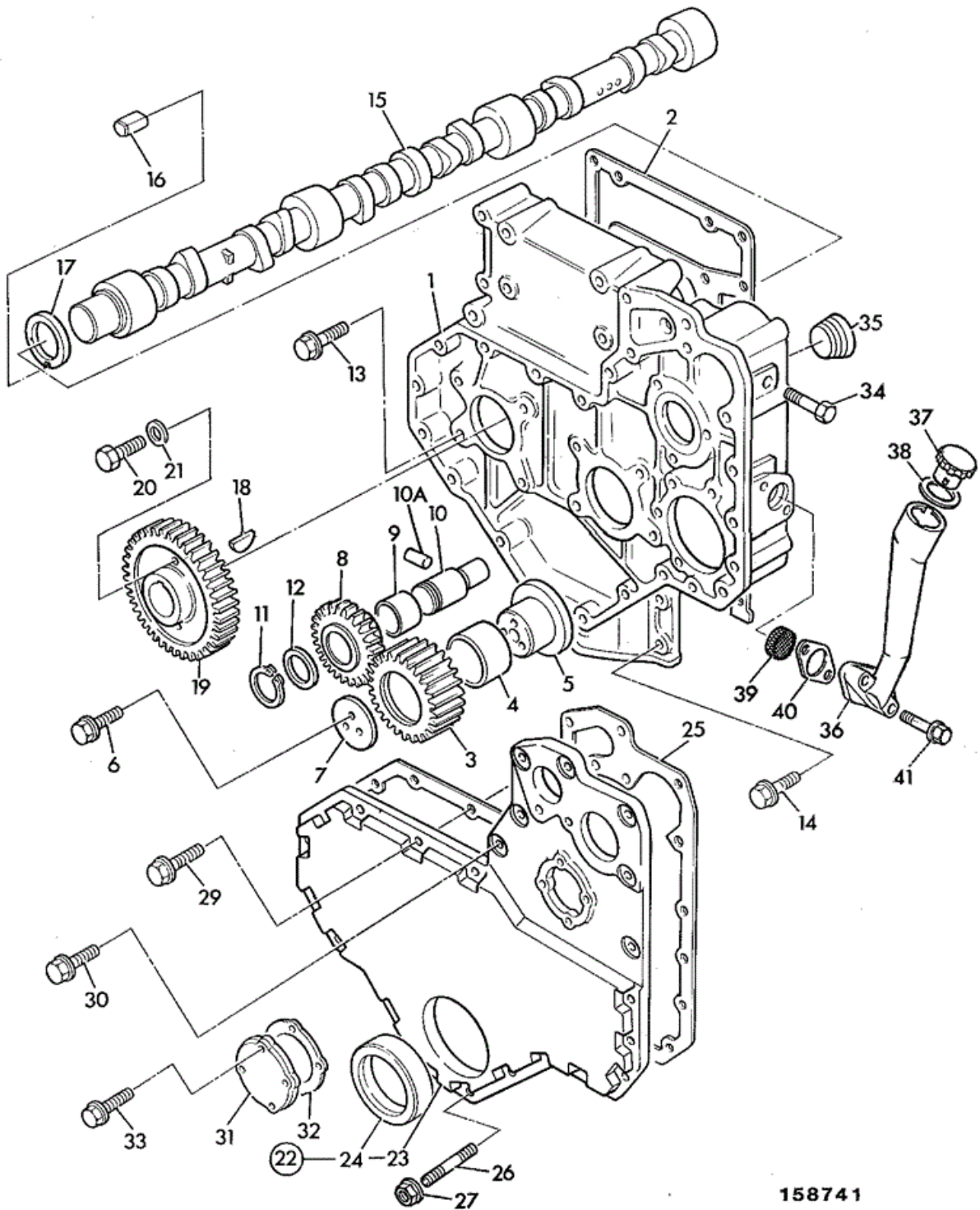
1	02/200990		Housing auxiliary drive gear	1
2	02/200992		O Ring	1
3	02/291053		Stud	1
4	02/291058		Nut flanged M8	1
5	02/200528		Shaft drive	1
6	02/100096		Key	1
7	02/290024		Gear	1
8	02/291137		Nut	1
9	02/200529		Bearing ball	1
10	02/101552		Circlip	1
11	02/100096		Key	1
12	02/290025		Gear	1
13	02/291137		Nut	1
14	02/290026		Gear	1
15	02/291137		Nut	1
16	02/200991		Gasket	1
17	02/100308		Dowel	2
18	****		'See Remark' <i>Compressor, see T7 index</i>	1
19	02/291053		Stud	5
20	02/291058		Nut flanged M8	5
21	02/291017		Screw	4



9802/6600 T1-6-5 TIMING CASE AUXILIARY DRIVE



Item	Part #	Change No	Description	Usage Code	QTY
1	02/201261		Plate compressor mounting		1
2	02/291197		Screw		3
3	02/291198		Screw		4
4	02/291199		Stud		1
5	02/291200		Stud		1
6	02/291060		Nut		2
7	02/201262		Hub		1
8	02/201263		O Ring		1
9	02/201264		Bearing		1
10	02/201265		Gear		1
11	02/201266		Plate locking		1
12	02/291016		Screw		3
13	02/201267		Gear 28T		1
14	02/201268		O Ring		1
15	02/200082		O Ring		1



158741

Item	Part #	Change No	Description	Usage Code	QTY
1	02/200830		Case timing		1
2	02/200872		Gasket t/case to block		1
2	02/200022		Gasket t/case to block <i>Alternative</i>		1
3	02/190033		Gear idler assembly		1
4	:02/192016		Bush		1

5	02/100041		Hub	1
6	02/291073		Screw	3
7	02/100042		Plate	1
8	02/290014		Gear idler, oil pump	1
9	:02/290006		Bush	1
10	02/290028		Shaft idler, oil pump	1
10A	2102/0813		Pin tension	1
11	02/100328		Circlip	1
12	02/200104		Washer	1
13	826/00869		Screw flange head	8
14	02/291017		Screw	4
15	02/200229		Camshaft	1
16	2102/0604		Dowel	1
17	02/192064		Washer thrust	1
18	02/100038		Key	1
19	02/190034		Gear camshaft	1
20	02/291047		Bolt	1
21	02/291065		Washer	1
22	02/200194		Cover timing	1
23	****		None serviced part <i>Cover</i>	1
24	:02/101435		Seal front oil	1
25	02/200728		Gasket timing cover	1
26	02/291051		Stud	2
27	02/291058		Nut flanged M8	2
28	02/291017		Screw	1
29	02/291018		Bolt	6
30	02/291026		Bolt	6
31	02/200028		Cover inspection	1
32	02/200977		Gasket	1
32	02/200029		Gasket inspection cover <i>Alternative</i>	1
33	02/291014		Bolt	4
34	02/200829		Plug	1
35	02/100409		Plug taper threaded	1
36	476/61101		Tube oil filler	1
37	02/200039		Cap oil filler	1
38	02/200040		Seal	1
39	02/200037		Strainer	1
40	02/200038		Gasket	1
41	02/291023		Bolt	2

Thank you so much for reading.
Please click the “Buy Now!”
button below to download the
complete manual.



After you pay.

You can download the most
perfect and complete manual in
the world immediately.

Our support email:

ebooklibonline@outlook.com