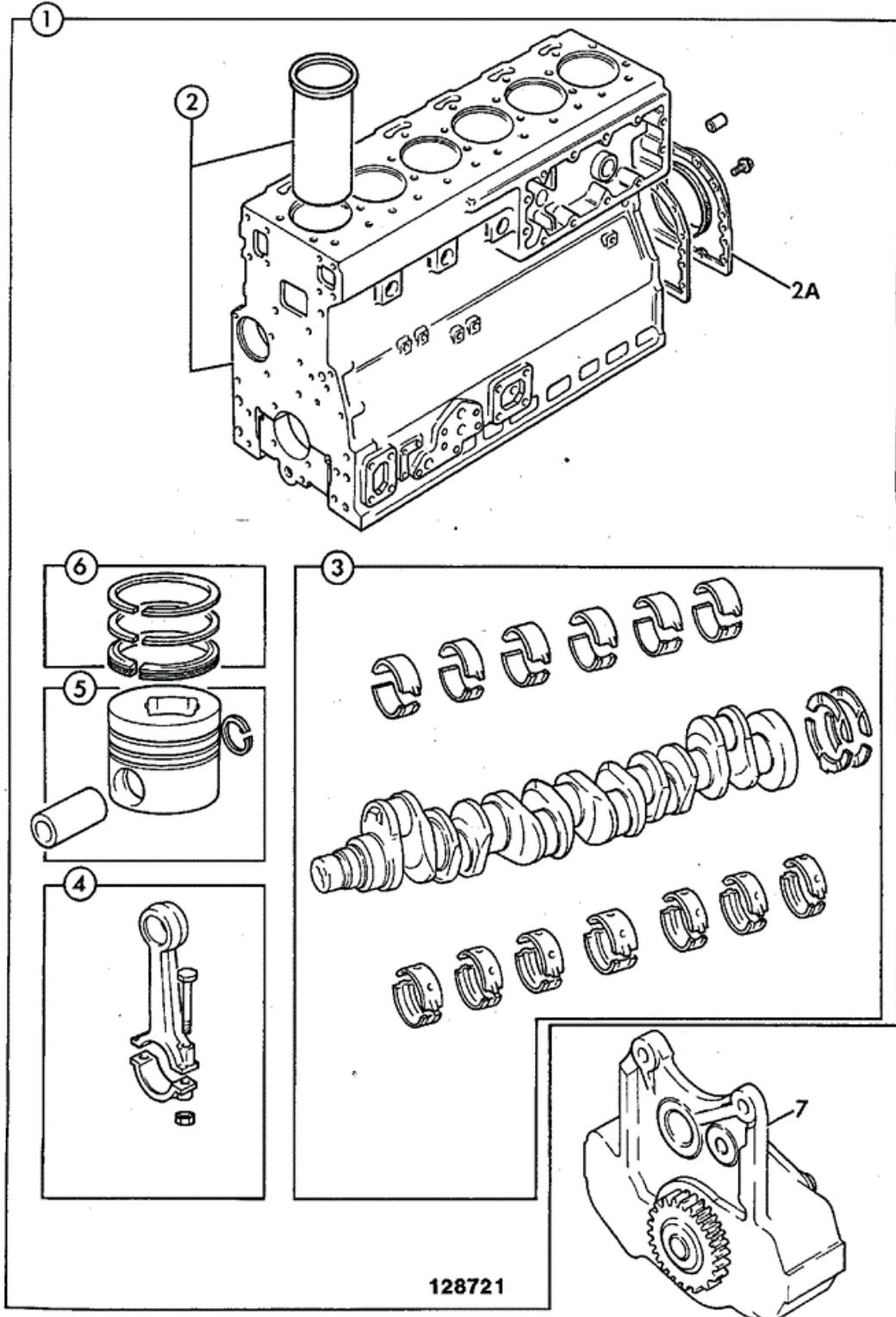




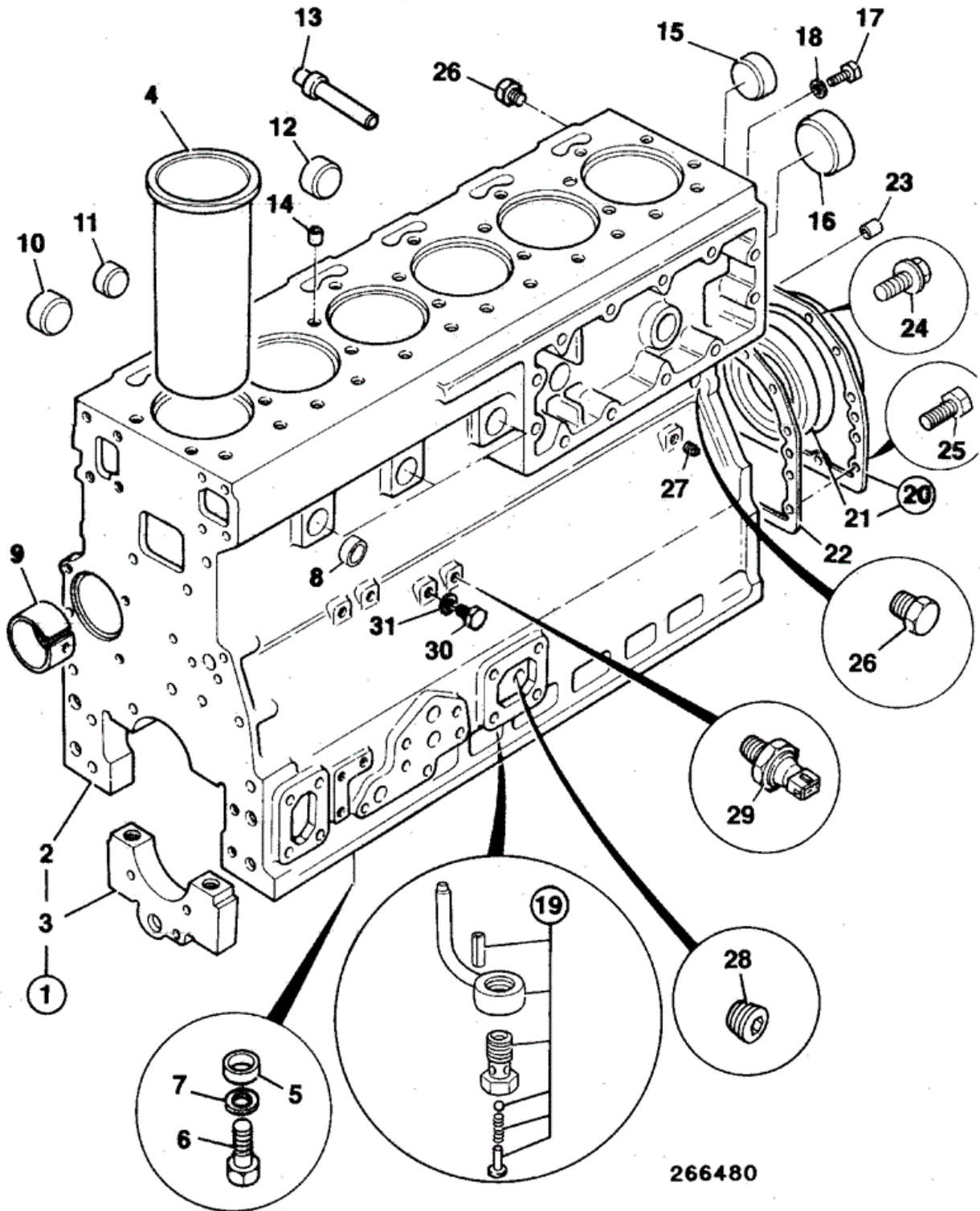
# 9802/6670 T1-2-1 ENGINE, SHORT YH BUILD



Item	Part #	Change No	Description	Usage Code	QTY
1	02/200667		Engine short	P/Ex	1
2	****		'See Remark' <i>See frame R1-3-2, Block assembly</i>		1
2A	****		'See Remark' <i>See frame R1-3-2, Housing, rear seal assy</i>		1
3	****		'See Remark' <i>See frame R1-4-4, Crankshaft assembly</i>		1
4	****		'See Remark' <i>See frame R1-4-2, Con-rod assembly</i>		6
5	****		'See Remark' <i>See frame R1-4-4, Piston assembly</i>		6
6	****		'See Remark' <i>See frame R1-4-2, Piston ring kit</i>		6
7	****		'See Remark' <i>See frame R5-2-2, Oil pump</i>		1



# 9802/6670 T1-3-1 BLOCK ASSEMBLY YH BUILD

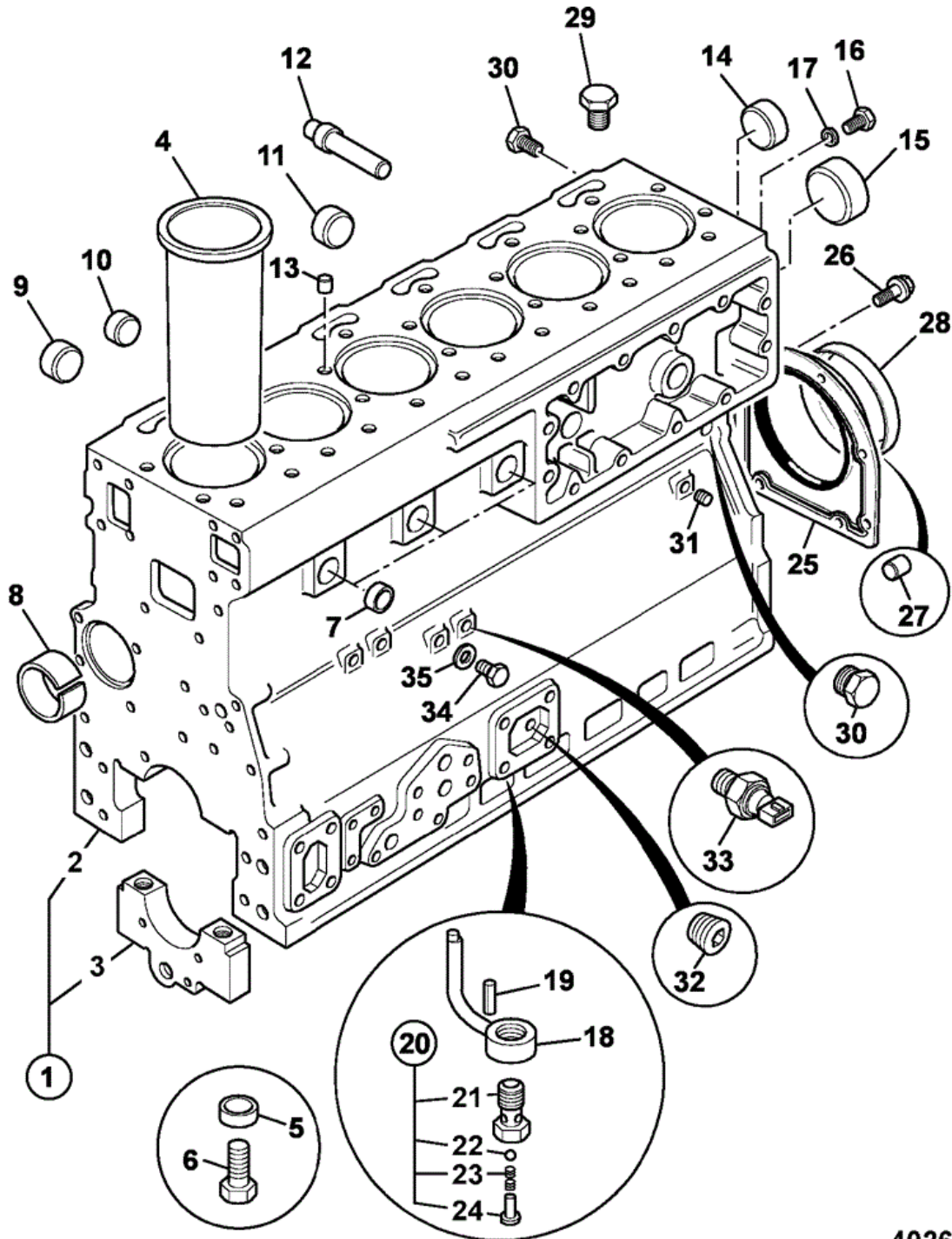


Item	Part #	Change No	Description	Usage Code	QTY
------	--------	-----------	-------------	------------	-----

1	02/201501		Block assembly, cylinder		1
2	****		None serviced part <i>Block</i>		1
3	****		None serviced part <i>Cap</i>		7
4	:02/201141		Liner press-fit		6
4	02/201142		Liner slip-fit		0
5	:02/100101		Thimble		14
6	:02/100102		Bolt		14
7	****		'See Remark' <i>No longer fitted or required</i>		0
8	:02/200454		Plug core D=38mm		6
9	:02/192094		Bush camshaft		1
10	:02/200454		Plug core D=38mm		3
11	:02/200454		Plug core D=38mm		3
12	:02/201361		Plug core D=38mm		6
13	:02/101827		Plug		1
14	:02/100108		Plug		1
15	:02/200454		Plug core D=38mm		1
16	:02/201362		Plug core D=50mm		1
17	02/100111		Plug		1
18	02/200828		Washer		1
19	****		'See Remark' <i>See frame T5-3-1</i>		6
20	:02/200958		Housing rear seal		1
21	:02/101436		Seal rear oil		1
22	02/201092		Gasket rear seal housing		1
23	02/100308		Dowel		2
24	826/00869		Screw flange head		12
25	02/291185		Capscrew		2
26	02/100132		Plug drain <i>Water drain</i>		2
26	02/100335		Tap drain <i>Alternative</i>		0
27	826/00765		Plug		2
28	02/100409		Plug taper threaded		2
29	701/80225		Switch oil pressure 1/8" NPTF,AMP		1
30	1315/0402Z		Setscrew		1
31	823/00273		Washer		1
33	02/201302		Dowel		2



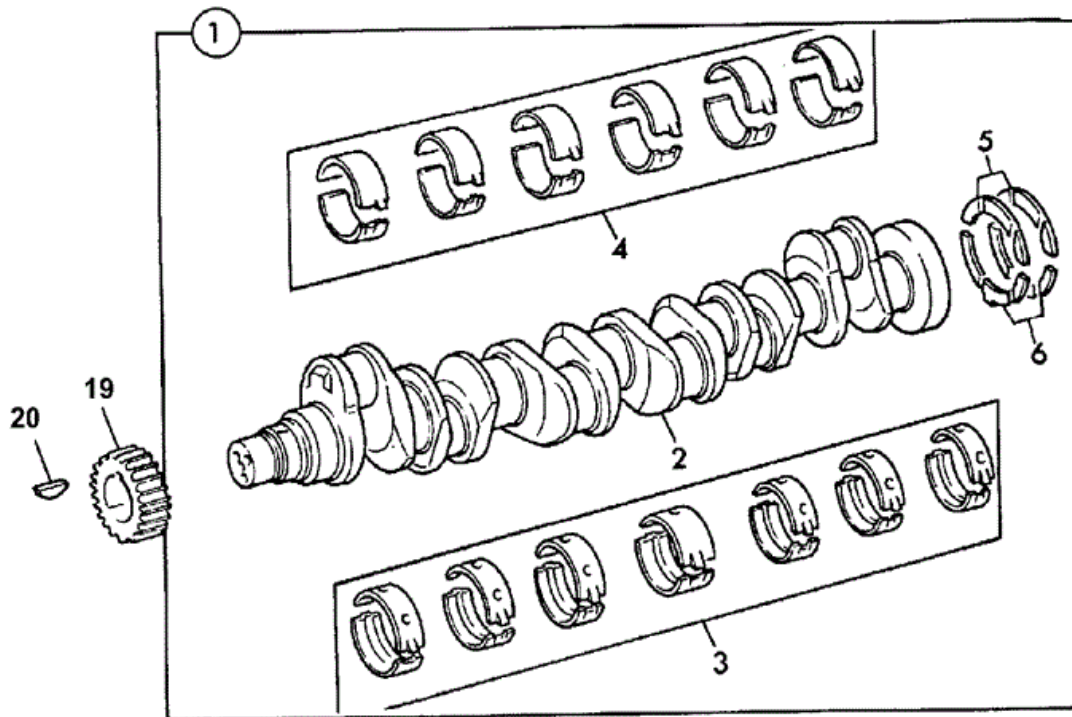
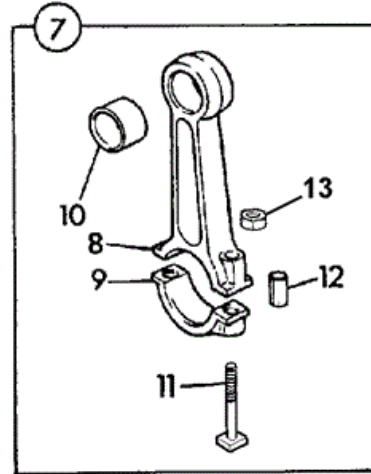
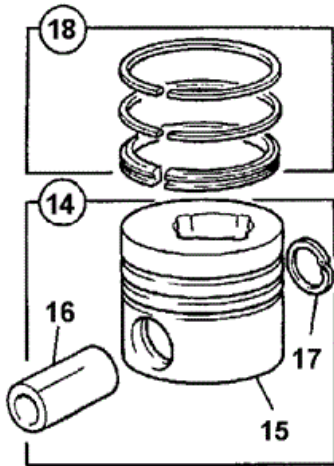
# 9802/6670 T1-3-2 BLOCK ASSEMBLY YH BUILD



402671

Item	Part #	Change No	Description	Usage Code	QTY
1	02/201771		Block cylinder		1
2	****		None serviced part		1
3	****		None serviced part		1

4	:02/201141		Liner press-fit	4
4	02/201142		Liner slip-fit	0
4	02/202226		Liner cylinder oversize - 0.010"	0
5	:02/100101		Thimble	14
6	:02/100102		Bolt	14
7	:02/200454		Plug core D=38mm	5
8	:02/192094		Bush camshaft	1
9	:02/200454		Plug core D=38mm	3
10	:02/200454		Plug core D=38mm	3
11	:02/201361		Plug core D=38mm	6
12	:02/101827		Plug	1
13	:02/100108		Plug	1
14	:02/200454		Plug core D=38mm	1
15	:02/201362		Plug core D=50mm	1
16	:02/100111		Plug	1
17	:02/200828		Washer	1
18	:02/101615		Jet piston cooling	6
19	::02/200101		Dowel	1
20	:02/101898		Valve	6
21	****		None serviced part	1
22	::02/200099		Ball	1
23	::02/200098		Spring	1
24	::02/200097		Retainer	1
25	02/202370		Housing & rear oil seal assembly	1
26	826/10721		Bolt torx head drive	10
27	02/100308		Dowel	2
28	02/202422		Sleeve speedy	1
29	02/201706		Dowel	2
30	02/100132		Plug drain	2
31	826/00765		Plug	2
32	02/100409		Plug taper threaded	2
33	701/80225	<M740508	Switch oil pressure 1/8" NPTF,AMP	1
33	701/80327		Switch Engine Oil Pressure	1
34	1315/0402Z		Setscrew	1
35	823/00273		Washer	1



326010

Item	Part #	Change No	Description	Usage Code	QTY
1	02/202492		Crankshaft assembly	P/Ex	1
2	****		None serviced part <i>Crankshaft</i>		1
3	:02/290010		Kit-bearing main standard		1
3	02/290011		Kit-bearing main undersize - 0.25mm		1
3	02/290012		Kit-bearing main undersize - 0.50mm		1

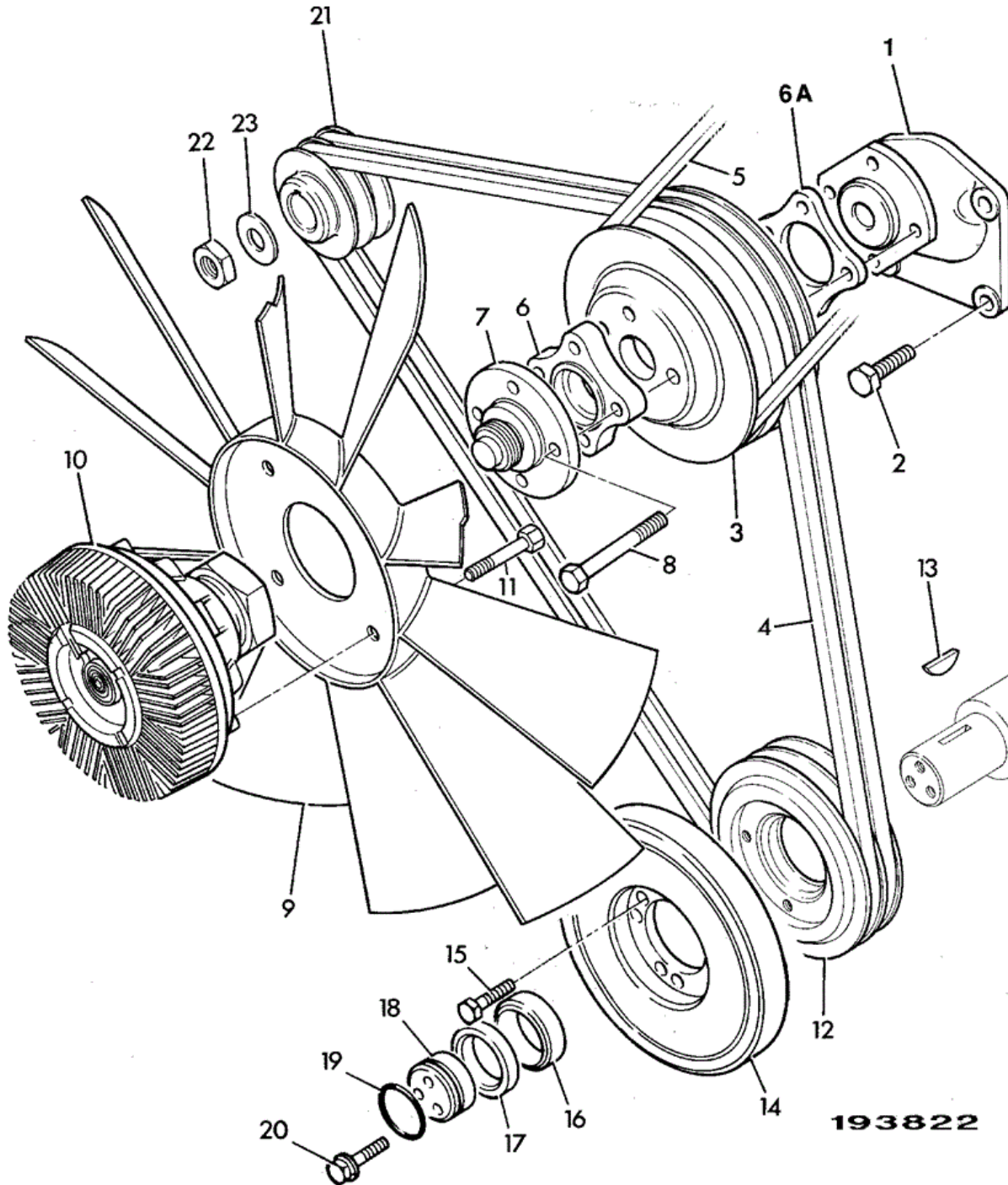
3	02/290013		Kit-bearing main undersize - 0.75mm	1
4	:02/202571		Kit-bearing big-end standard	1
4	02/202572		Kit-bearing big end undersize 0.010"	0
4	02/202573		Kit-bearing big end undersize 0.020"	0
4	02/202574		Kit-bearing big end undersize 0.030"	0
5	:02/192083		Washer thrust top - standard	2
5	02/192011		Washer thrust top-oversize 0.19mm	2
6	:02/192084		Washer thrust bottom - standard	2
6	02/192013		Washer thrust btm-oversize 0.19mm	2
7	02/203187		Rod Connecting rod <i>See Note 1</i>	0
7	02/203188		Rod Connecting rod <i>See Note 1</i>	0
7	02/203189		Rod connecting <i>See Note 1</i>	0
8	****		None serviced part <i>Rod</i>	1
9	****		None serviced part <i>Cap</i>	1
10	:02/192095		Bush small end	1
11	:02/291072		Bolt	2
12	:02/201808		Thimble	2
13	:02/100128		Nut	2
14	02/201505		Piston assembly	4
15	****		None serviced part	1
16	****		None serviced part	1
17	02/201151		Circlip	2
18	02/201504		Kit-piston ring	4
19	02/290001		Gear	1
20	02/100038		Key	1

*Note 1: TO ENSURE THE CORRECT GRADE IS SELECTED, REFER TO THE SERVICE WORKSHOP MANUAL.*





# 9802/6670 T1-5-1 FANS, PULLEYS & FAN BELT YH BUILD

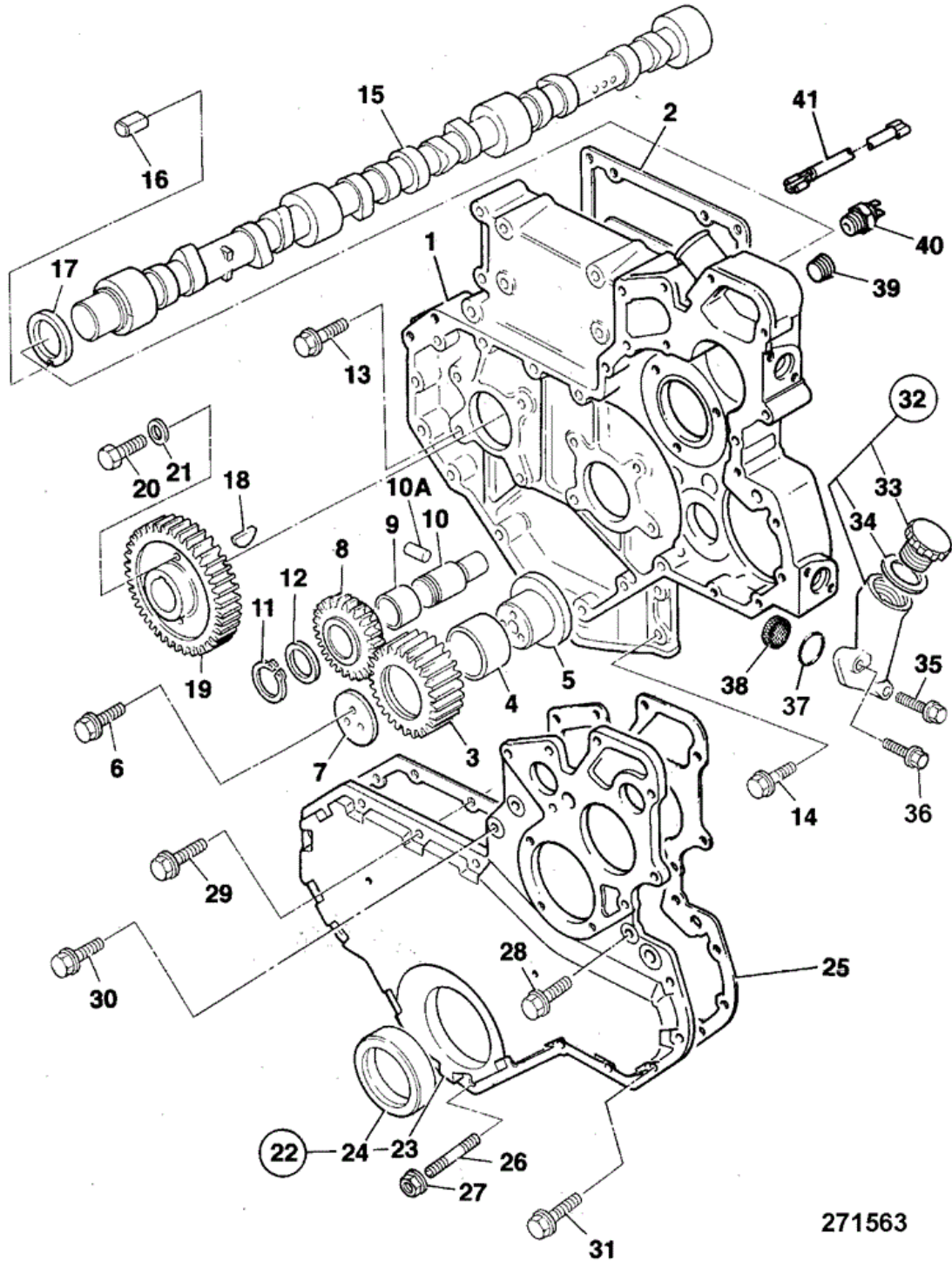


Item	Part #	Change No	Description	Usage Code	QTY
1	02/201389		Housing fan drive		1
2	02/291082		Bolt		4
3	331/25939		Pulley fan drive 1.25:1		1

4	02/101581	<M740460	Belt fan, pair	1
4	02/101951		Belt fan (pair)	1
5	478/00944		Belt drive air conditioning	1
6	02/100957		Spacer fan 25.4mm	1
6A	02/201327		Spacer fan, 16mm	1
7	478/01042		Adapter fan drive	1
8	1315/3318Z		Bolt M8 x 80 mm Long	4
9	477/00142		Fan cooling	1
10	477/00904		Coupling viscous	1
11	1315/0316Z		Screw	4
12	02/200881		Pulley crankshaft	1
13	02/100380		Key	1
14	02/200882		Damper crankshaft vibration	1
15	02/291158		Screw	8
16	02/200228		Spacer	1
17	02/100408		Ring assembly Locking	1
18	02/100587		Block Thrust	1
19	828/00124		O Ring	1
20	02/100579		Screw	3
21	02/200894		Pulley alternator twin groove	1
22	714/20405		Kit-sundry parts	1



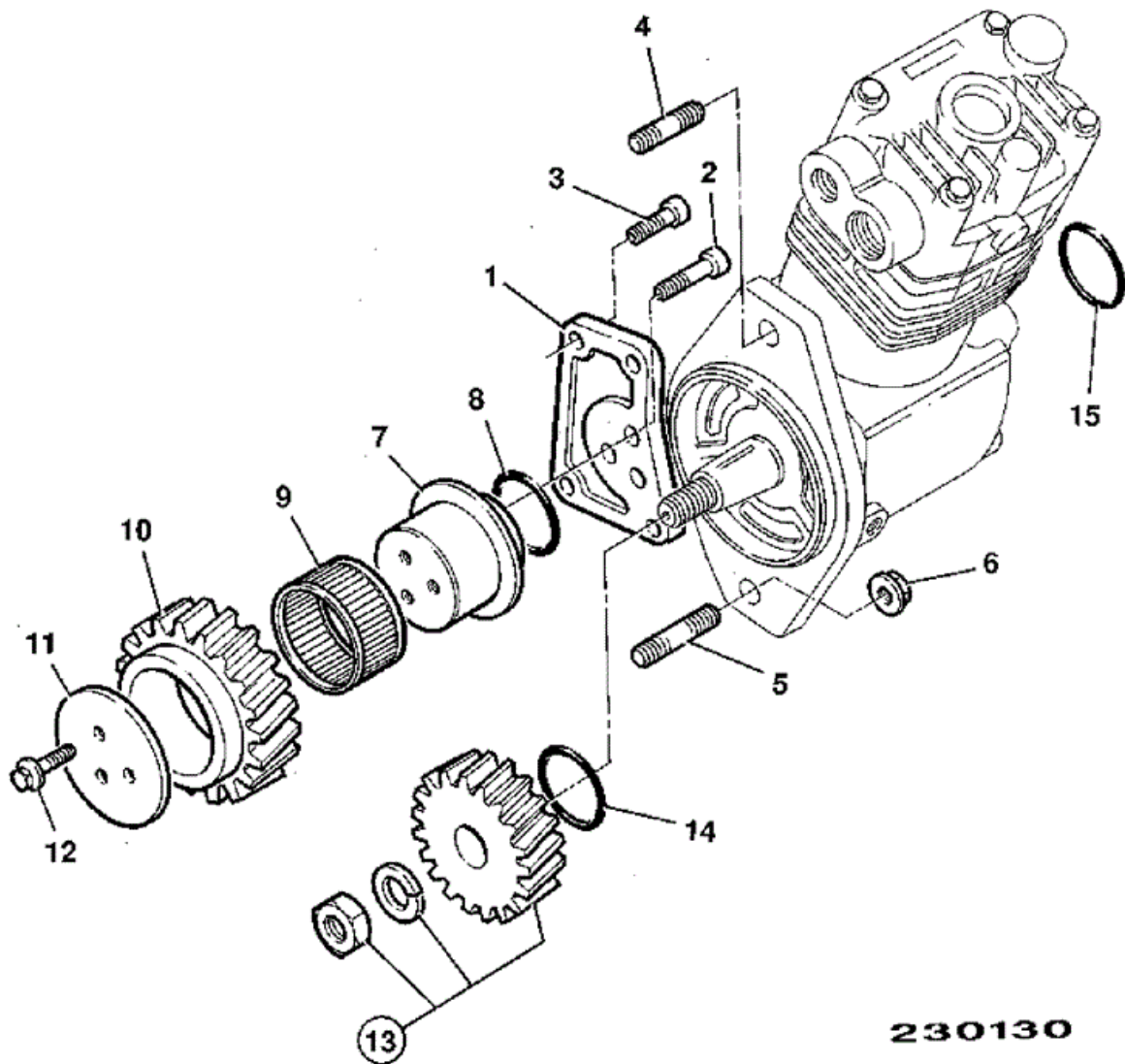
# 9802/6670 T1-6-1 TIMING CASE CAMSHAFT & GEARS YH BUILDS



271563

Item	Part #	Change No	Description	Usage Code	QTY
1	02/201530		Case timing		1

2	02/200872		Gasket t/case to block	1
3	02/190033		Gear idler assembly	1
4	:02/192016		Bush	1
5	02/100041		Hub	1
6	02/291073		Screw	3
7	02/201288		Plate	1
8	02/290014		Gear idler, oil pump	1
9	:02/290006		Bush	1
10	02/290028		Shaft idler, oil pump	1
10A	2102/0813		Pin tension	1
11	02/100328		Circlip	1
12	02/200104		Washer	1
13	826/00869		Screw flange head	8
14	02/291017		Screw	4
15	02/201529		Camshaft	4
16	2102/0604		Dowel	1
17	02/192064		Washer thrust	1
18	02/100038		Key	1
19	02/190034		Gear camshaft	1
20	02/291196		Screw	1
21	02/291065		Washer	1
22	02/201531		Cover timing	1
23	****		None serviced part <i>Cover</i>	1
24	:02/101435		Seal front oil	1
25	02/201532		Gasket timing cover	1
26	02/291051		Stud	2
27	02/291058		Nut flanged M8	2
28	02/291017		Screw	1
29	02/291018		Bolt	6
30	02/291026		Bolt	6
31	02/291033		Bolt	1
32	02/201899		Tube oil filler	1
33	02/201343		Cap oil filler	1
34	:02/201098		O Ring	1
35	02/291020		Bolt	1
36	02/291104		Screw	1
37	02/201097		O Ring	1
38	02/200037		Strainer	1
39	02/100409		Plug taper threaded	1
40	701/60014		Sender cold start	1
41	721/00447		Lead waxtat cold start	1



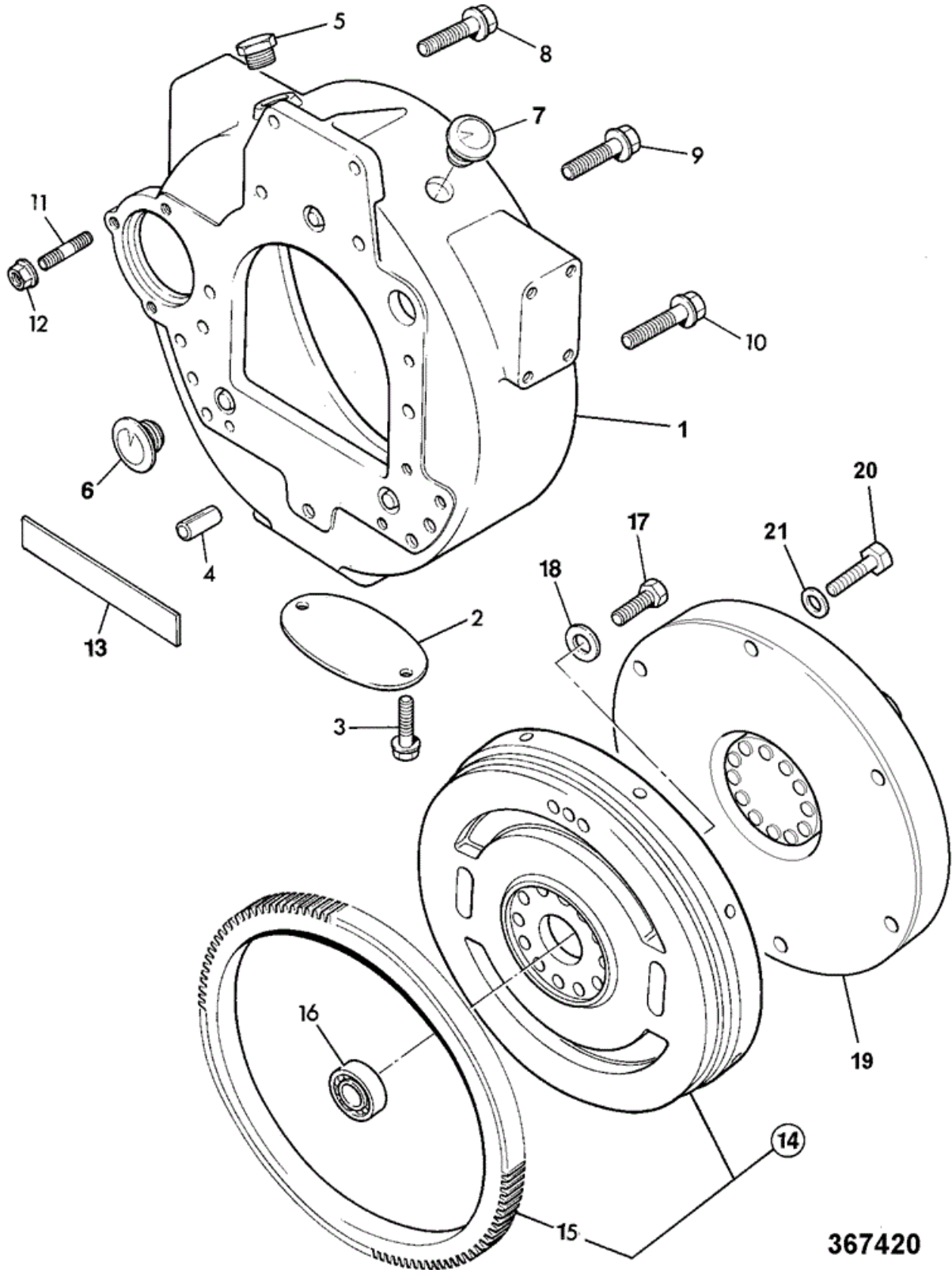
**230130**

Item	Part #	Change No	Description	Usage Code	QTY
1	02/201261		Plate compressor mounting		1
2	02/291197		Screw		3
3	02/291198		Screw		4
4	02/291199		Stud		1
5	02/291200		Stud		1

6	02/291060		Nut		2
7	02/201262		Hub		1
8	02/201263		O Ring		1
9	02/201264		Bearing		1
10	02/201265		Gear		1
11	02/201266		Plate locking		1
12	02/291016		Screw		3
13	02/201267		Gear 28T		1
14	02/201268		O Ring		1
15	02/200082		O Ring		1



# 9802/6670 T1-7-1 FLYWHEEL & HOUSING YH BUILD



367420

Thank you so much for reading.  
Please click the “Buy Now!”  
button below to download the  
complete manual.



After you pay.

You can download the most  
perfect and complete manual in  
the world immediately.

Our support email:

[ebooklibonline@outlook.com](mailto:ebooklibonline@outlook.com)