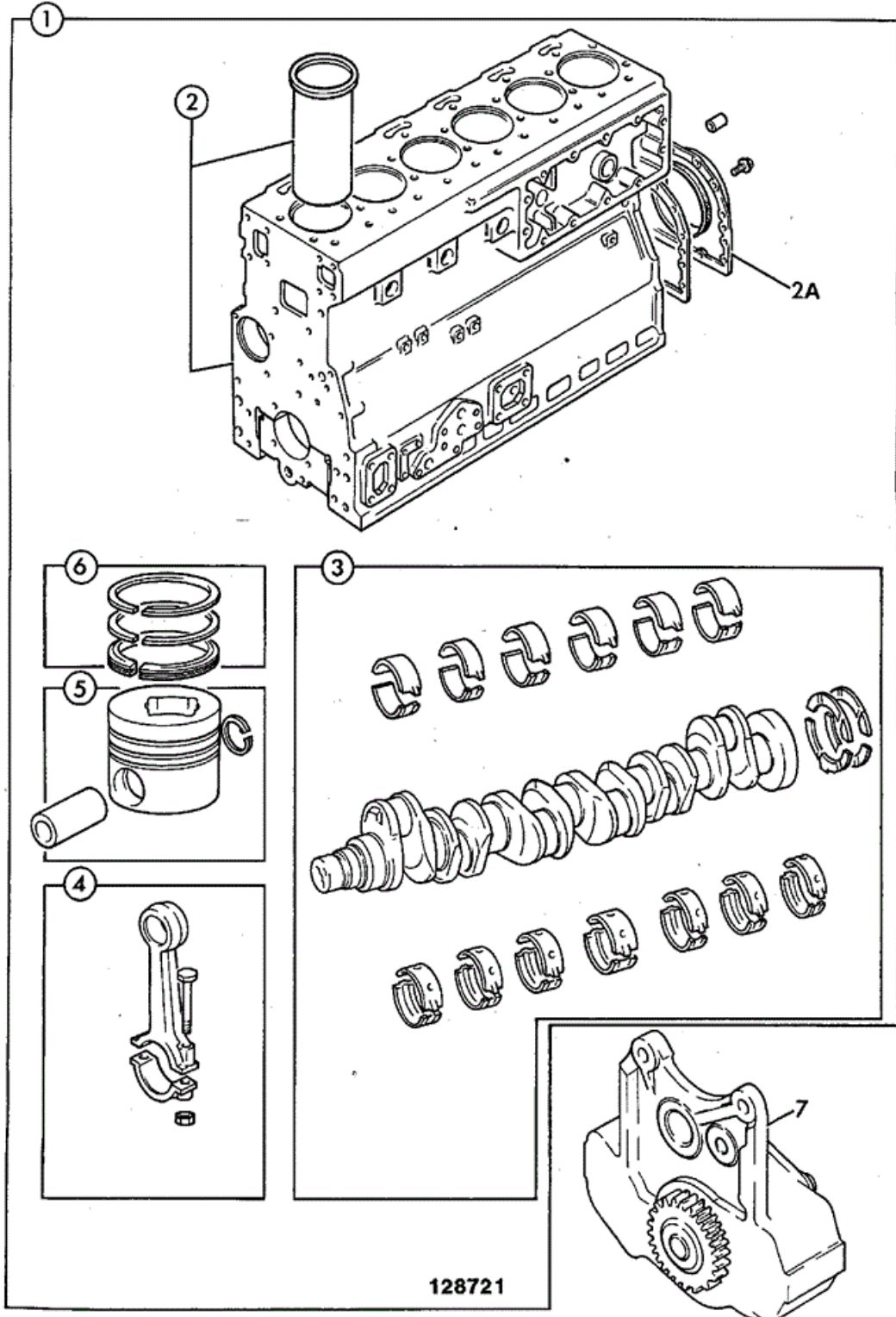


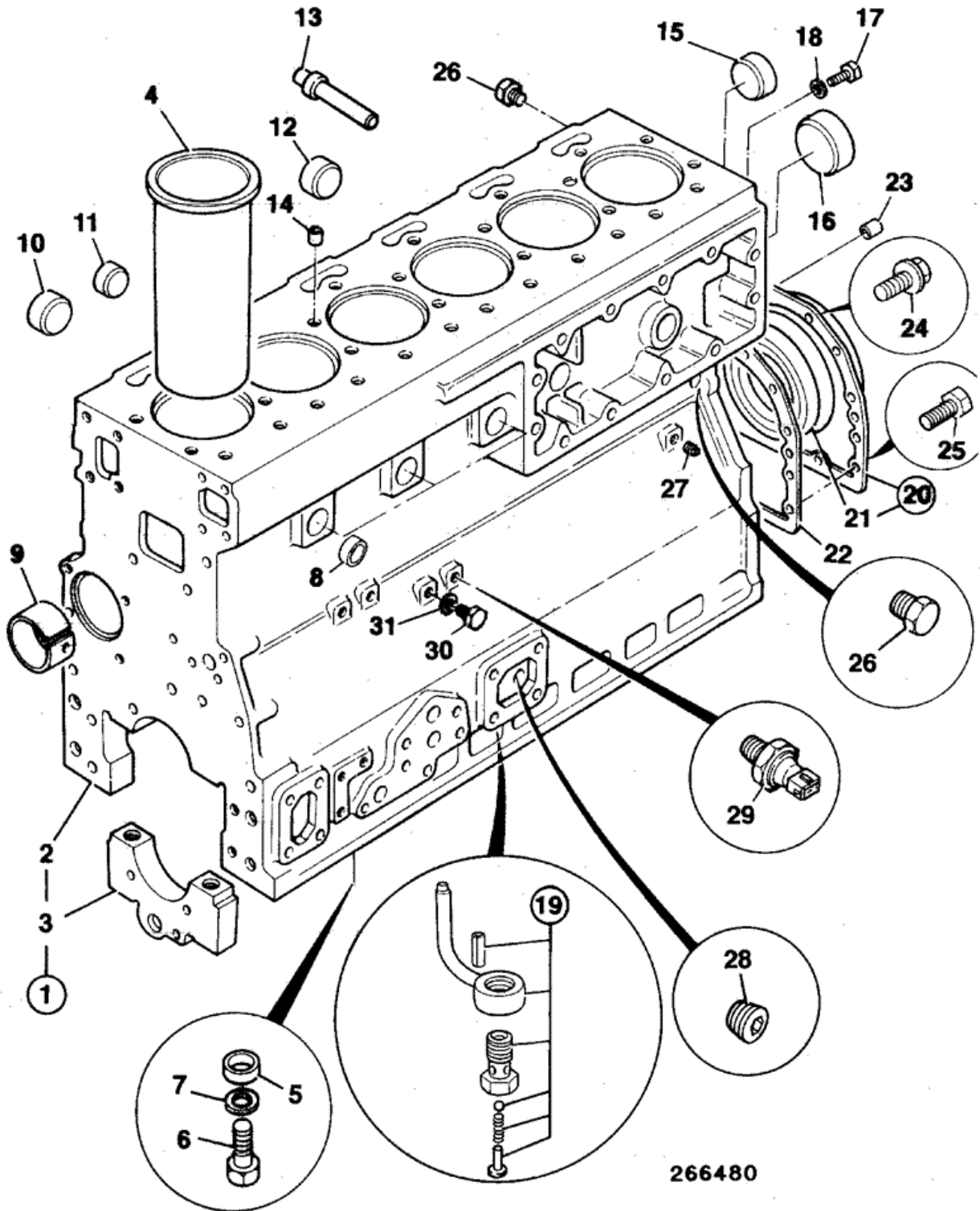


9802/6680 T1-2-1 ENGINE, SHORT YK BUILD



Item	Part #	Change No	Description	Usage Code	QTY
1	02/200667		Engine short	P/Ex	1
2	****		'See Remark' <i>See frame R1-3-2, Block assembly</i>		1
2A	****		'See Remark' <i>See frame R1-3-2, Housing, rear seal assy</i>		1
3	****		'See Remark' <i>See frame R1-4-4, Crankshaft assembly</i>		1
4	****		'See Remark' <i>See frame R1-4-2, Con-rod assembly</i>		6
5	****		'See Remark' <i>See frame R1-4-4, Piston assembly</i>		6
6	****		'See Remark' <i>See frame R1-4-2, Piston ring kit</i>		6
7	****		'See Remark' <i>See frame R5-2-2, Oil pump</i>		1

JCB 9802/6680 T1-3-1 BLOCK ASSEMBLY YK BUILD

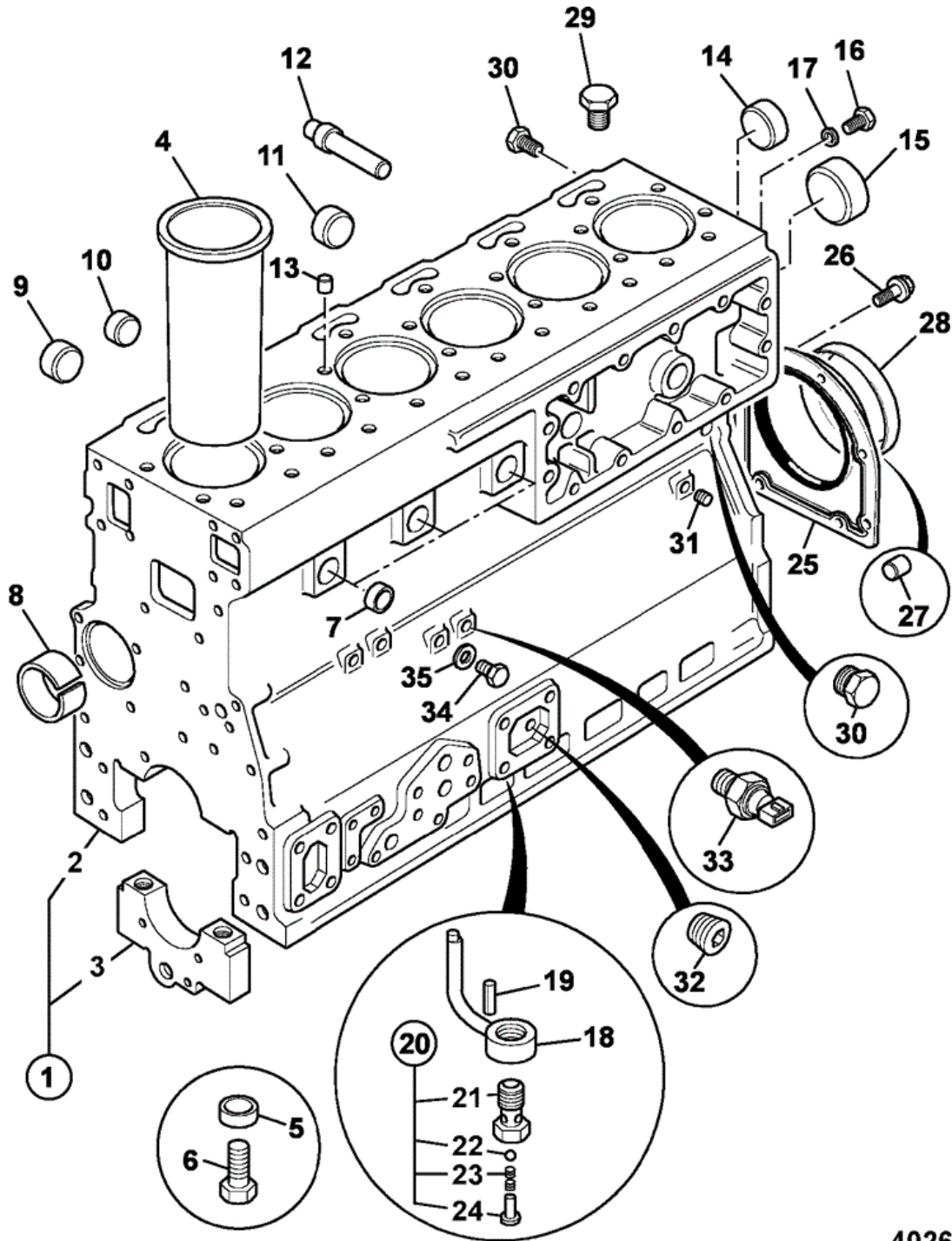


Item	Part #	Change No	Description	Usage Code	QTY
------	--------	-----------	-------------	------------	-----

1	02/201771		Block cylinder		1
2	****		None serviced part <i>Block</i>		1
3	****		None serviced part <i>Cap</i>		7
4	:02/201141		Liner press-fit		6
4	02/201142		Liner slip-fit		0
5	:02/100101		Thimble		14
6	:02/100102		Bolt		14
7	****		'See Remark' <i>No longer fitted or required</i>		0
8	:02/200454		Plug core D=38mm		6
9	:02/192094		Bush camshaft		1
10	:02/200454		Plug core D=38mm		3
11	:02/200454		Plug core D=38mm		3
12	:02/201361		Plug core D=38mm		6
13	:02/101827		Plug		1
14	:02/100108		Plug		1
15	:02/200454		Plug core D=38mm		1
16	:02/201362		Plug core D=50mm		1
17	02/100111		Plug		1
18	02/200828		Washer		1
19	****		'See Remark' <i>See frame T5-3-1</i>		6
20	:02/200958		Housing rear seal		1
21	:02/101436		Seal rear oil		1
22	02/201092		Gasket rear seal housing		1
23	02/100308		Dowel		2
24	826/00869		Screw flange head		12
25	02/291185		Capscrew		2
26	02/100132		Plug drain <i>Water drain</i>		2
26	02/100335		Tap drain <i>Alternative</i>		0
27	826/00765		Plug		2
28	02/100409		Plug taper threaded		2
29	701/80225		Switch oil pressure 1/8" NPTF,AMP		1
30	1315/0402Z		Setscrew		1
31	823/00273		Washer		1
33	02/201706		Dowel		2



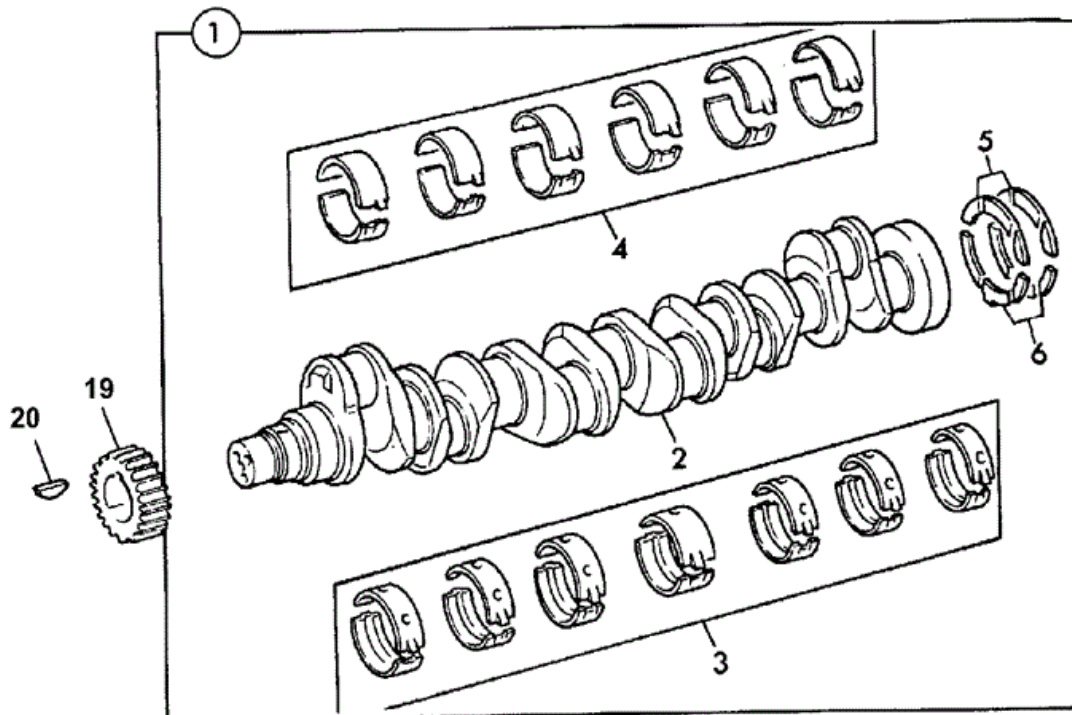
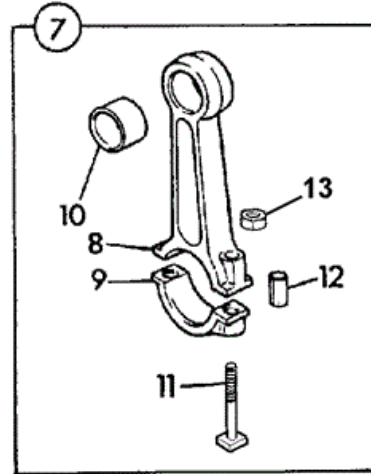
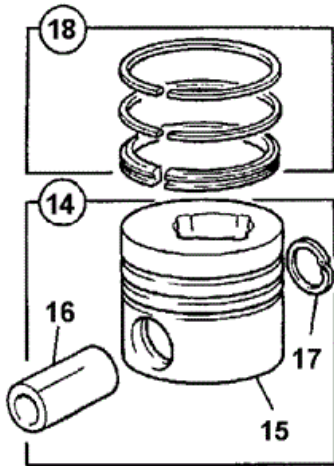
9802/6680 T1-3-2 BLOCK ASSEMBLY YK BUILD



402671

Item	Part #	Change No	Description	Usage Code	QTY
1	02/201771		Block cylinder		1
2	****		None serviced part		1
3	****		None serviced part		1

4	:02/201141		Liner press-fit	4
4	02/201142		Liner slip-fit	0
4	02/202226		Liner cylinder oversize - 0.010"	0
5	:02/100101		Thimble	14
6	:02/100102		Bolt	14
7	:02/200454		Plug core D=38mm	5
8	:02/192094		Bush camshaft	1
9	:02/200454		Plug core D=38mm	3
10	:02/200454		Plug core D=38mm	3
11	:02/201361		Plug core D=38mm	6
12	:02/101827		Plug	1
13	:02/100108		Plug	1
14	:02/200454		Plug core D=38mm	1
15	:02/201362		Plug core D=50mm	1
16	:02/100111		Plug	1
17	:02/200828		Washer	1
18	:02/101615		Jet piston cooling	6
19	::02/200101		Dowel	1
20	:02/101898		Valve	6
21	****		None serviced part	1
22	::02/200099		Ball	1
23	::02/200098		Spring	1
24	::02/200097		Retainer	1
25	02/202370		Housing & rear oil seal assembly	1
26	826/10721		Bolt torx head drive	10
27	02/100308		Dowel	2
28	02/202422		Sleeve speedy	1
29	02/201706		Dowel	2
30	02/100132		Plug drain	2
31	826/00765		Plug	2
32	02/100409		Plug taper threaded	2
33	701/80225	<M740508	Switch oil pressure 1/8" NPTF,AMP	1
33	701/80327		Switch Engine Oil Pressure	1
34	1315/0402Z		Setscrew	1
35	823/00273		Washer	1



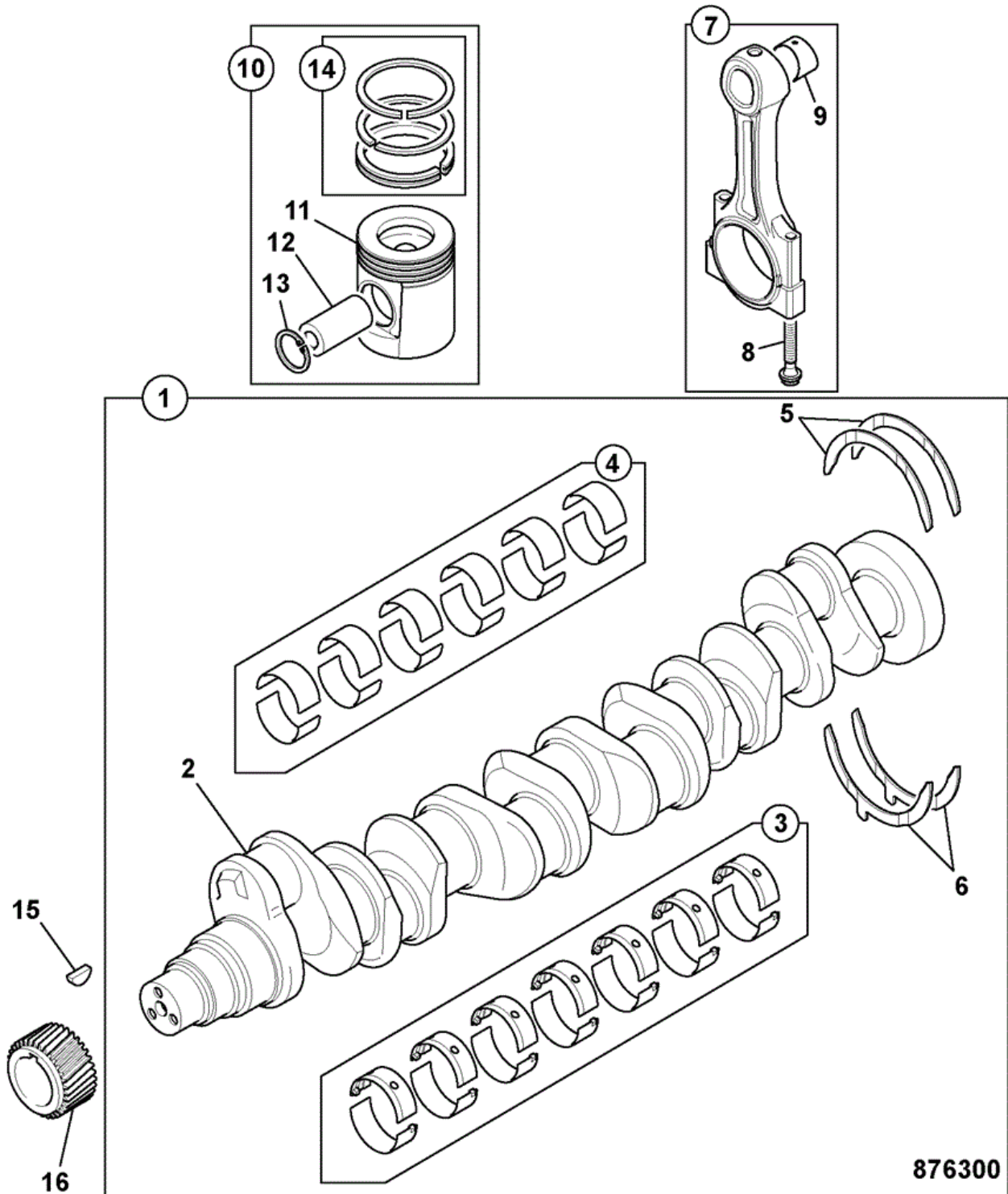
326010

Item	Part #	Change No	Description	Usage Code	QTY
1	02/202492		Crankshaft assembly	P/Ex	1
2	****		None serviced part <i>Crankshaft</i>		1
3	:02/290010		Kit-bearing main standard		1
3	02/290011		Kit-bearing main undersize - 0.25mm		0
3	02/290012		Kit-bearing main undersize - 0.50mm		0

3	02/290013	Kit-bearing main undersize - 0.75mm	0
4	:02/290018	Kit-bearing big end standard	1
4	02/290019	Kit-bearing big end undersize - 0.25mm	0
4	02/290020	Kit-bearing big end undersize - 0.50mm	0
4	02/290021	Kit-bearing big end undersize - 0.75mm	0
5	:02/192083	Washer thrust top - standard	2
5	02/192011	Washer thrust top-oversize 0.19mm	0
6	:02/192084	Washer thrust bottom - standard	2
6	02/192013	Washer thrust btm-oversize 0.19mm	0
7	02/203187	Rod Connecting rod <i>GRADE J</i> <i>See Note 1</i>	0
7	02/203188	Rod Connecting rod <i>GRADE K</i>	0
7	02/203189	Rod connecting <i>GRADE L</i>	0
8	****	None serviced part <i>Rod</i>	1
9	****	None serviced part <i>Cap</i>	1
10	:02/192095	Bush small end	1
11	:02/291072	Bolt	2
12	:02/201808	Thimble	2
13	:02/100128	Nut	2
14	02/201505	Piston assembly	4
15	****	None serviced part	1
16	****	None serviced part	1
17	:02/201151	Circlip	2
18	02/201504	Kit-piston ring	4
19	02/290001	Gear	1
20	02/100038	Key	1

Note 1: TO ENSURE THE CORRECT GRADE IS FITTED, REFER TO THE SERVICE WORKSHOP MANUAL

JCB 9802/6680 T1-4-2 CRANKSHAFT, BEARINGS PISTONS &
CON-RODS YK BUILD



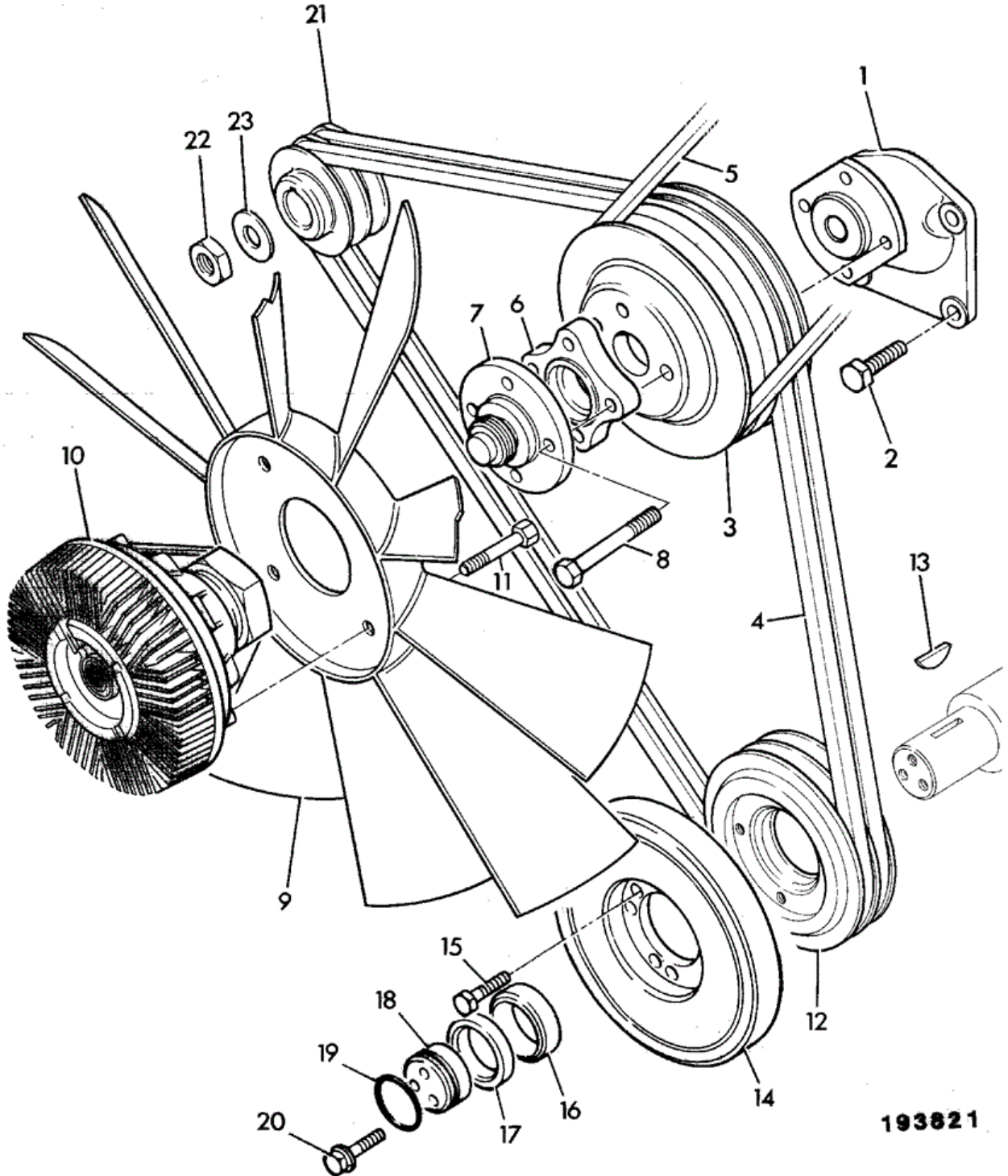
Item	Part #	Change No	Description	Usage Code	QTY
1	02/202570		Crankshaft assembly	P/Ex	1

2	****	None serviced part <i>Crankshaft</i>	1
3	:02/290010	Kit-bearing main standard	1
3	02/290011	Kit-bearing main undersize - 0.25mm	0
3	02/290012	Kit-bearing main undersize - 0.50mm	0
3	02/290013	Kit-bearing main undersize - 0.75mm	0
4	:02/202571	Kit-bearing big-end standard	1
4	02/202572	Kit-bearing big end undersize 0.010"	0
4	02/202573	Kit-bearing big end undersize 0.020"	0
4	02/202574	Kit-bearing big end undersize 0.030"	0
5	:02/192083	Washer thrust top - standard	2
5	02/192011	Washer thrust top-oversize 0.19mm	0
6	:02/192084	Washer thrust bottom - standard	2
6	02/192013	Washer thrust btm-oversize 0.19mm	0
7	02/202922	Kit-conrod grade 'F' RED <i>GRADE F RED</i> <i>See Note 1</i>	0
7	02/202923	Kit-conrod grade 'G' ORANGE <i>See Note 1, GRADE G ORANGE</i>	0
7	02/202924	Kit-conrod grade 'H' WHITE <i>GRADE H WHITE</i>	0
7	02/202925	Kit-conrod grade 'J' GREEN <i>GRADE J GREEN</i>	0
7	02/202926	Kit-conrod grade 'K' PURPLE <i>GRADE K PURPLE</i>	0
7	02/202927	Kit-conrod grade 'L' BLUE <i>GRADE L BLUE</i>	0
8	:02/202929	Bolt conrod	2
9	:02/202928	Bush small end	1
10	:02/201505	Piston assembly	6
11	****	None serviced part	1
12	****	None serviced part	1
13	:02/201151	Circlip	2
14	02/201504	Kit-piston ring	4
15	02/290001	Gear	1
16	02/100038	Key	1

Note 1: TO ENSURE THE CORRECT GRADE IS FITTED, REFER TO THE SERVICE WORKSHOP MANUAL.



9802/6680 T1-5-1 FANS, PULLEYS & FAN BELT YK BUILD

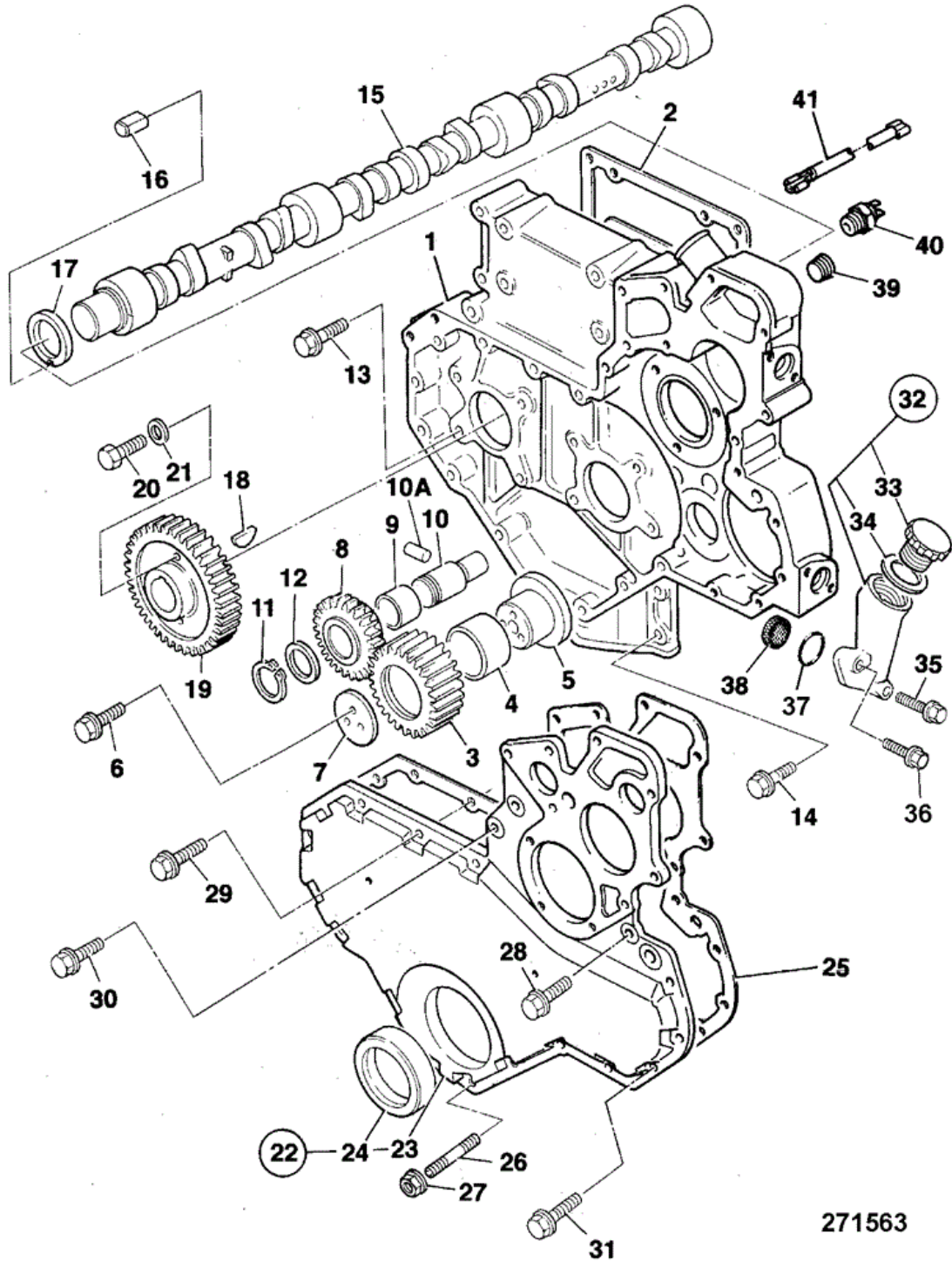


193821

Item	Part #	Change No	Description	Usage Code	QTY
1	02/201389		Housing fan drive		1
2	02/291082		Bolt		4

3	331/25942		Pulley fan drive 1.38:1	1
4	02/100201	<M740428	Belt fan, pair	1
4	02/101327		Belt fan, pair	1
5	478/01834		Belt drive	1
6	02/100957		Spacer fan 25.4mm	1
6A	02/201327		Spacer fan, 16mm	1
7	478/01042		Adapter fan drive	1
8	1315/3315Z		Bolt Star Drive M8 x 65mm	4
9	477/00142		Fan cooling	1
10	477/00904		Coupling viscous	1
11	1315/0316Z		Screw	4
12	02/200881		Pulley crankshaft	1
13	02/100380		Key	1
14	02/201777		Damper crankshaft vibration	1
15	02/291158		Screw	8
16	02/200228		Spacer	1
17	02/100408		Ring assembly Locking	1
18	02/100587		Block Thrust	1
19	828/00124		O Ring	1
20	02/100579		Screw	3
21	02/200894		Pulley alternator twin groove	1
22	714/22505		Nut	1
23	714/22506		Washer bellville	1

JCB 9802/6680 T1-6-1 TIMING CASE CAMSHAFT & GEARS YK
BUILDS

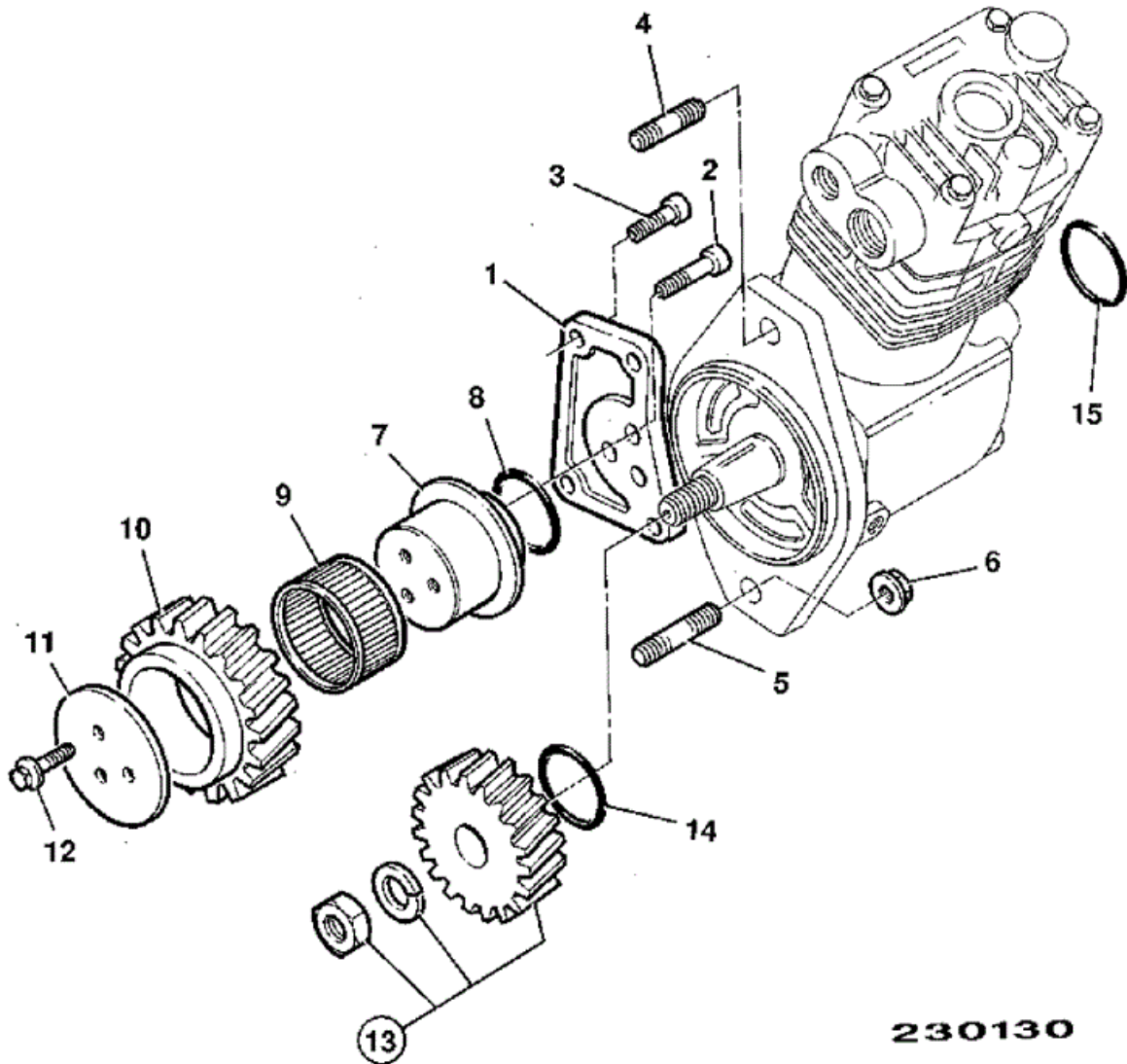


Item	Part #	Change No	Description	Usage Code	QTY
1	02/201765		Case timing		1

2	02/200872	Gasket t/case to block	1
3	02/190033	Gear idler assembly	1
4	:02/192016	Bush	1
5	02/100041	Hub	1
6	02/291073	Screw	3
7	02/201288	Plate	1
8	02/290014	Gear idler, oil pump	1
9	:02/290006	Bush	1
10	02/201131	Shaft	1
10A	2102/0813	Pin tension	1
11	02/100328	Circlip	1
12	02/200104	Washer	1
13	826/00869	Screw flange head	8
14	02/291017	Screw	4
15	02/201529	Camshaft	4
16	2102/0604	Dowel	1
17	02/192064	Washer thrust	1
18	02/100038	Key	1
19	02/190034	Gear camshaft	1
20	02/291196	Screw	1
21	02/291065	Washer	1
22	02/201766	Cover timing	1
23	****	None serviced part <i>Cover</i>	1
24	:02/101435	Seal front oil	1
25	02/201532	Gasket timing cover	1
27A	02/291033	Bolt <i>Repairs and Replaces items 26 & 27</i>	2
28	02/291017	Screw	1
29	02/291018	Bolt	6
30	02/291026	Bolt	6
31	02/291033	Bolt	1
32	02/201899	Tube oil filler	1
33	02/201343	Cap oil filler	1
34	:02/201098	O Ring	1
35	02/291020	Bolt	1
36	02/291104	Screw	1
37	02/201097	O Ring	1
38	02/200037	Strainer	1
39	02/100409	Plug taper threaded	1
40	701/60014	Sender cold start	1
41	721/00447	Lead waxtat cold start	1



9802/6680 T1-6-2 TIMING CASE AUXILIARY DRIVE YK



Thank you so much for reading.
Please click the “Buy Now!”
button below to download the
complete manual.



After you pay.

You can download the most
perfect and complete manual in
the world immediately.

Our support email:

ebooklibonline@outlook.com