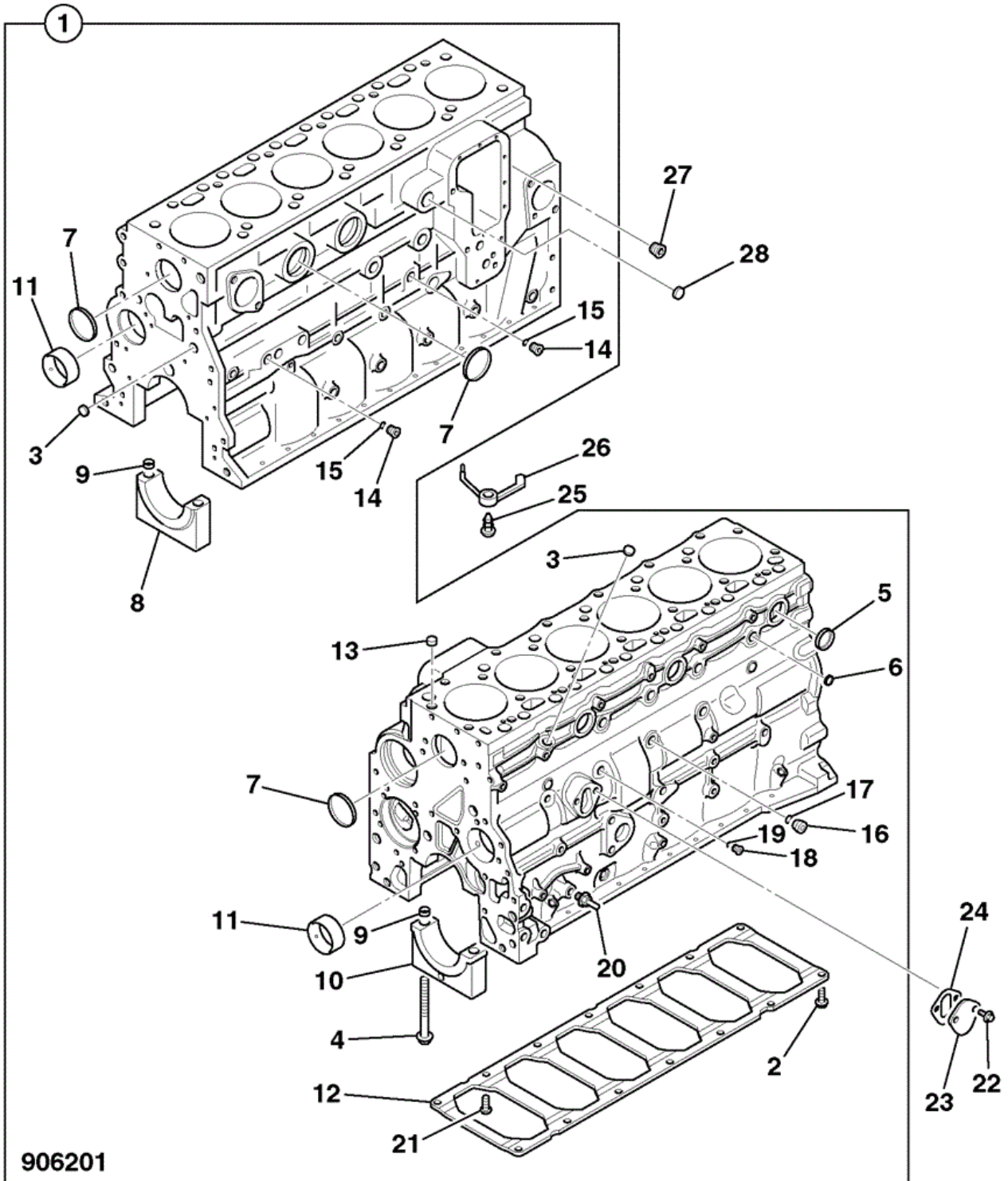




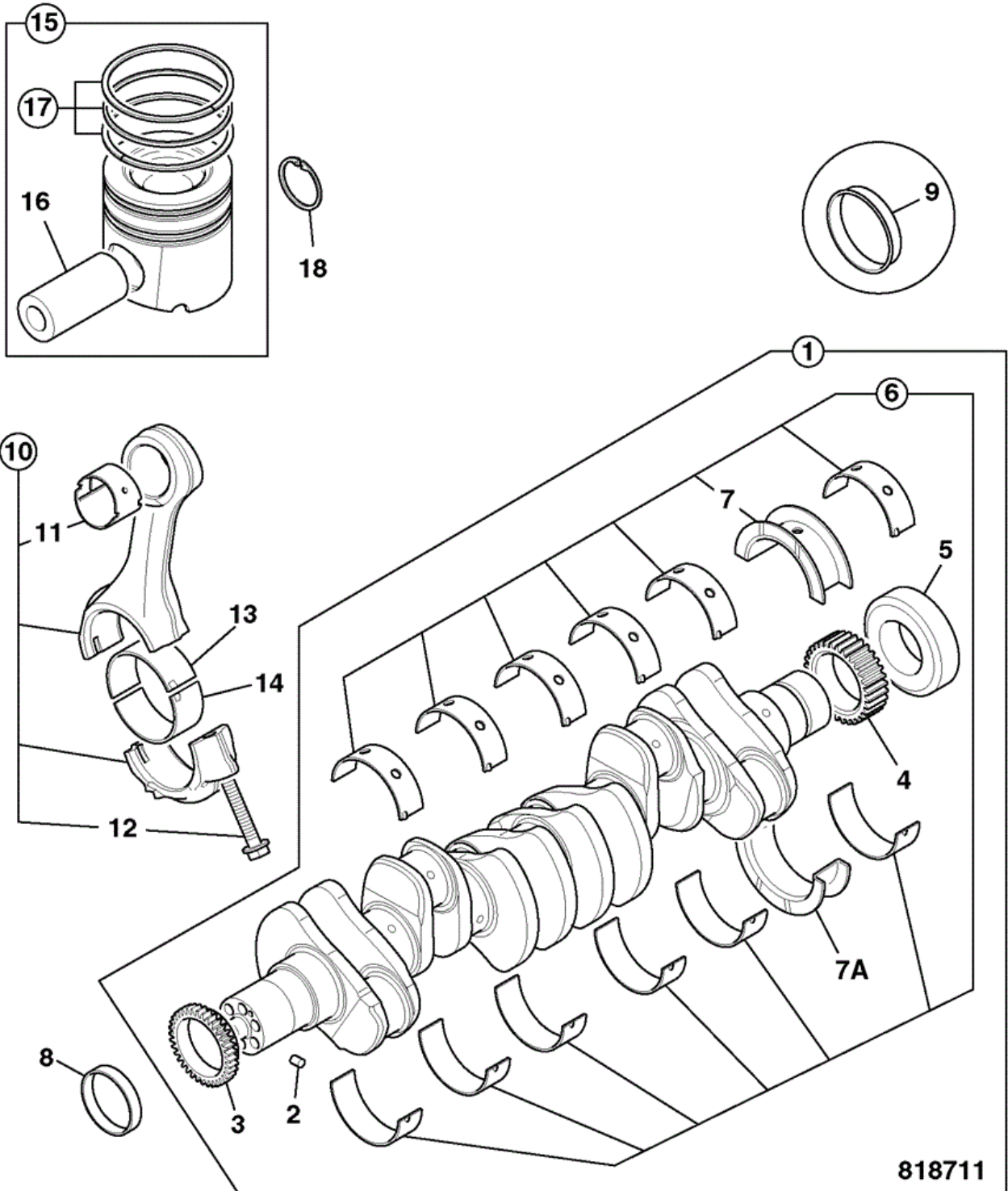
## 9802/6740 U1-3-1 BLOCK ASSEMBLY



Item	Part #	Change No	Description	Usage Code	QTY
1	02/912612		Block cylinder		1
2	:02/911122		Screw flange head M10 x 25		10
3	:02/910008		Plug Expansion 17.73mm		2

4	:02/911124		Bolt	14
5	:02/910783		Plug expansion	3
6	:02/910007		Plug Expansion D=26mm	3
7	:02/912613		Plug	4
8	:02/912376		Cap main bearing	1
9	:02/910009		Thimble	14
10	:02/912439		Cap main bearing <i>C/W 2 x Item 9</i>	6
11	:02/910799		Bush camshaft	2
12	:02/912300		Plate cylinder block stiffener	1
13	:02/910011		Dowel Ring	2
14	:02/911700		Plug threaded	2
15	::02/911701		O Ring seal	1
16	:02/910797		Plug	1
17	::02/911505		O Ring	1
18	:02/910796		Plug	2
19	:02/911141		O Ring	1
20	:02/911705		Screw cap head	1
21	02/912559		Plug	1
22	02/911005		Bolt	2
23	02/911434		Plate cover	1
24	02/912506		Gasket hydraulic pump	1
25	02/912301		Bolt banjo	6
26	02/912615		Nozzle piston cooling	6
27	02/910066		Plug pipe 3/4"NPT	1
28	02/911800		Plug expansion	5
29	02/911800		Plug expansion	5

**JCB** 9802/6740 U1-4-1 CRANKSHAFT, BEARINGS PISTONS &  
CON-RODS

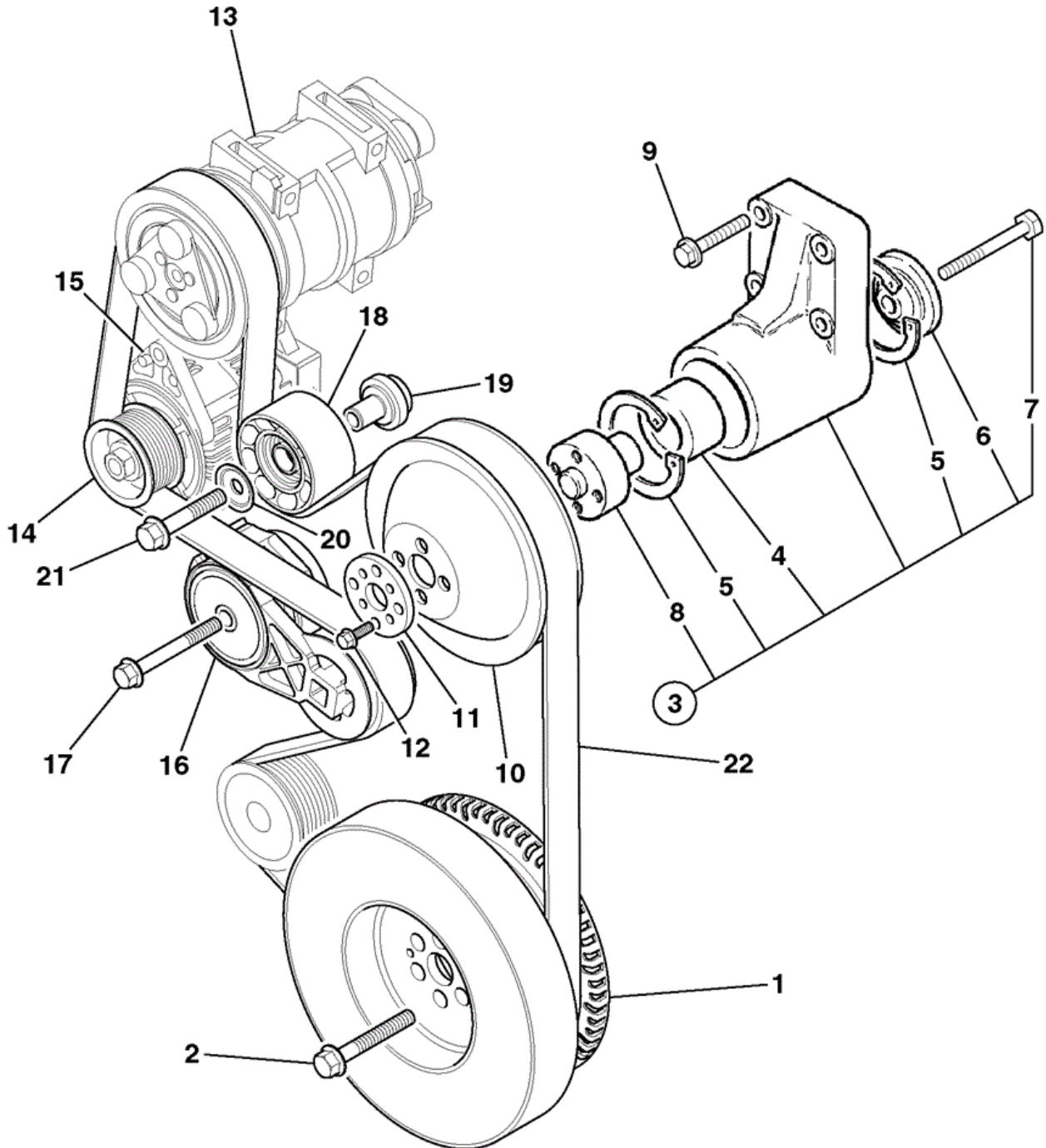


Item	Part #	Change No	Description	Usage Code	QTY
1	02/912480		Crankshaft assembly		1

2	:02/911737		Dowel	1
3	:02/912479		Gear crankshaft	1
4	:02/912481		Gear crankshaft	1
5	****		None serviced part	1
6	:02/912614		Kit main bearing Standard	1
7	::02/912618		Bearing top thrust	1
7A	::02/912579		Bearing bottom thrust Standard	1
7A	::02/912631		Bearing thrust crankshaft lower,o/s=0.25mm	0
7A	::02/912632		Bearing thrust crankshaft lower,o/s=0.50mm	0
7A	::02/912633		Bearing thrust crankshaft lower,o/s=0.75mm	0
7A	::02/912634		Bearing thrust crankshaft lower,o/s=1.00mm	0
8	02/910809		Kit-wear sleeve front	1
9	02/910859		Kit-wear sleeve rear	1
10	02/912626		Rod connecting	6
11	:02/911332		Bush small end	1
12	:02/911333		Bolt con-rod	2
13	02/912298		Bearing big end	6
13	02/912627		Bearing big end o/s = +0.25mm	0
13	02/912628		Bearing big end o/s = 0.50mm	0
13	02/912629		Bearing big end o/s = 0.75mm	0
13	02/912630		Bearing big end o/s = 1.00mm	0
14	02/911334		Bearing big-end	6
14	02/911819		Bearing big-end 0.25mm oversize	0
14	02/911820		Bearing big-end 0.5mm oversize	0
14	02/911821		Bearing big end 0.75mm oversize	0
14	02/911822		Bearing big-end 1.00mm oversize	0
15	02/912302		Piston assembly	6
16	:02/912297		Pin gudgeon	1
17	:02/912303		Kit Piston and Rings	1
18	02/910143		Circlip	12



## 9802/6740 U1-5-1 FRONT END DRIVE



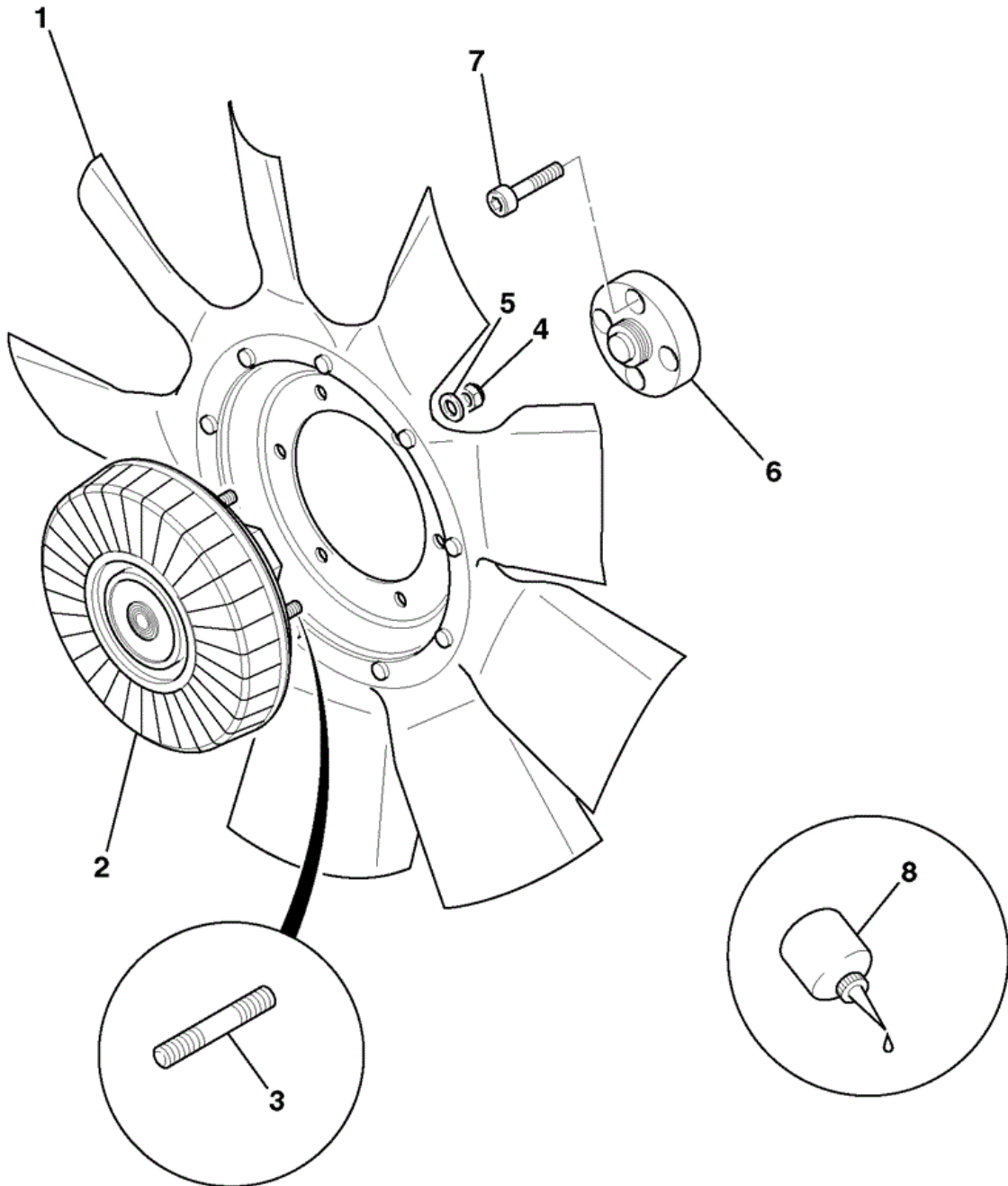
905780

Item	Part #	Change No	Description	Usage Code	QTY
1	02/912485		Damper vibration		1
2	02/911734		Screw captive washer		6
3	02/910031		Housing assembly, fan drive		1

4	:02/910035		Hub fan	1
5	:02/910033		Circlip	2
6	:02/910032		Bearing	1
7	:02/910793		Retainer fan hub	1
8	:02/911035		Screw	1
9	02/911126		Screw	4
10	02/911351		Pulley fan drive	1
11	02/911524		Plate clamping	1
12	02/911122		Screw flange head M10 x 25	6
13	****		'See Remark' <i>See section U7-5-1</i>	1
14	02/910974		Pulley alternator	1
15	****		'See Remark' <i>see section C2-4-1</i>	1
16	02/912216		Adjuster belt tension	1
17	02/911499		Screw	1
18	02/912017		Pulley idler	1
19	02/912012		Shaft idler	1
20	02/910304		Shield dust	1
21	02/912514		Screw M10X60	1
22	02/912354		Belt	1



## 9802/6740 U1-5-11 COOLING FAN & SPACER



821180

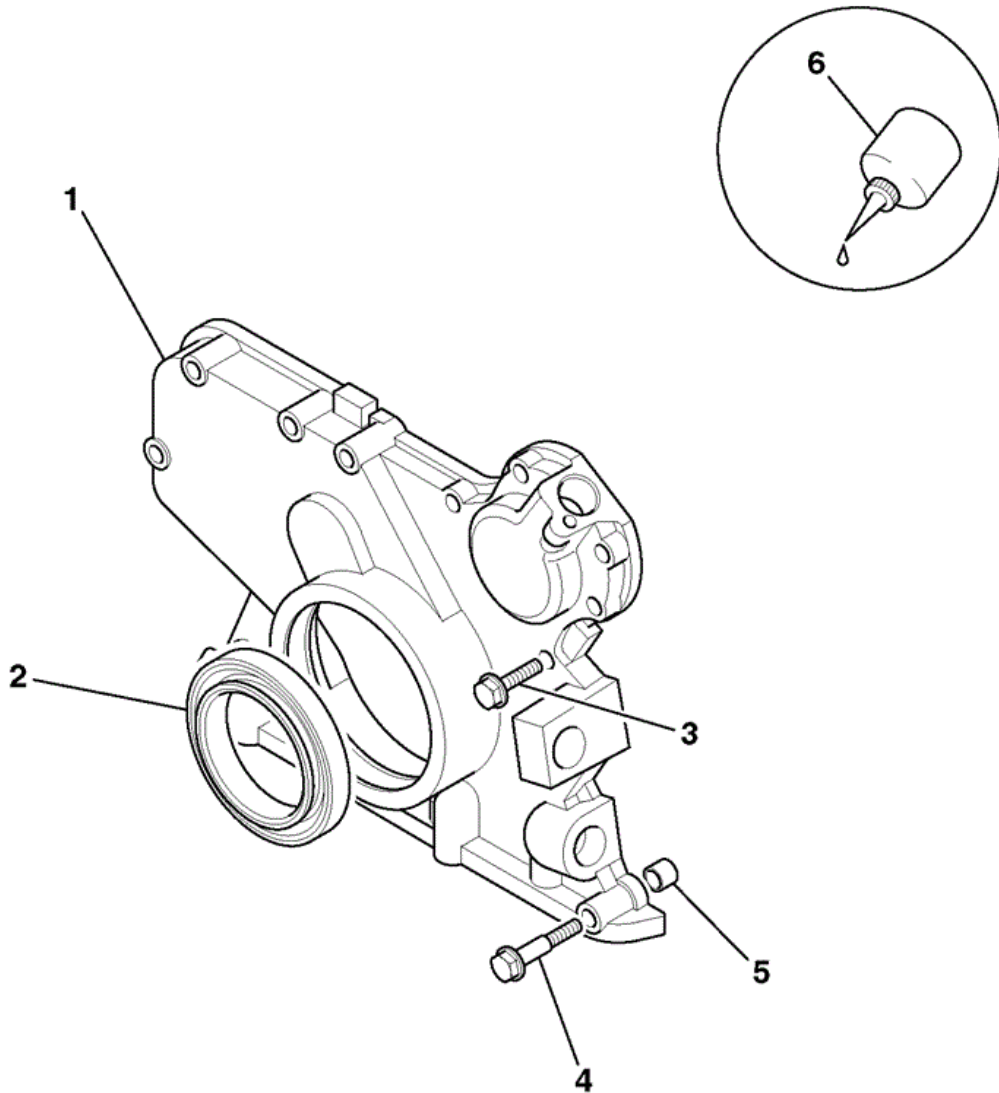
Item	Part #	Change No	Description	Usage Code	QTY
1	30/925608		Fan 24" cooling		1
2	30/926606		Coupling viscous fan drive		1
3	****		T.B.A		6

4	1370/0203D		Nut Lock M8	6
5	1420/0007D		Washer (M8)	6
6	01/180055		Adapter fan drive	1
7	1391/3405D		Capscrew M10X20mm	4
8	4101/0251		Sealant Threadlock 50ml	0





## 9802/6740 U1-6-1 GEAR COVER FRONT



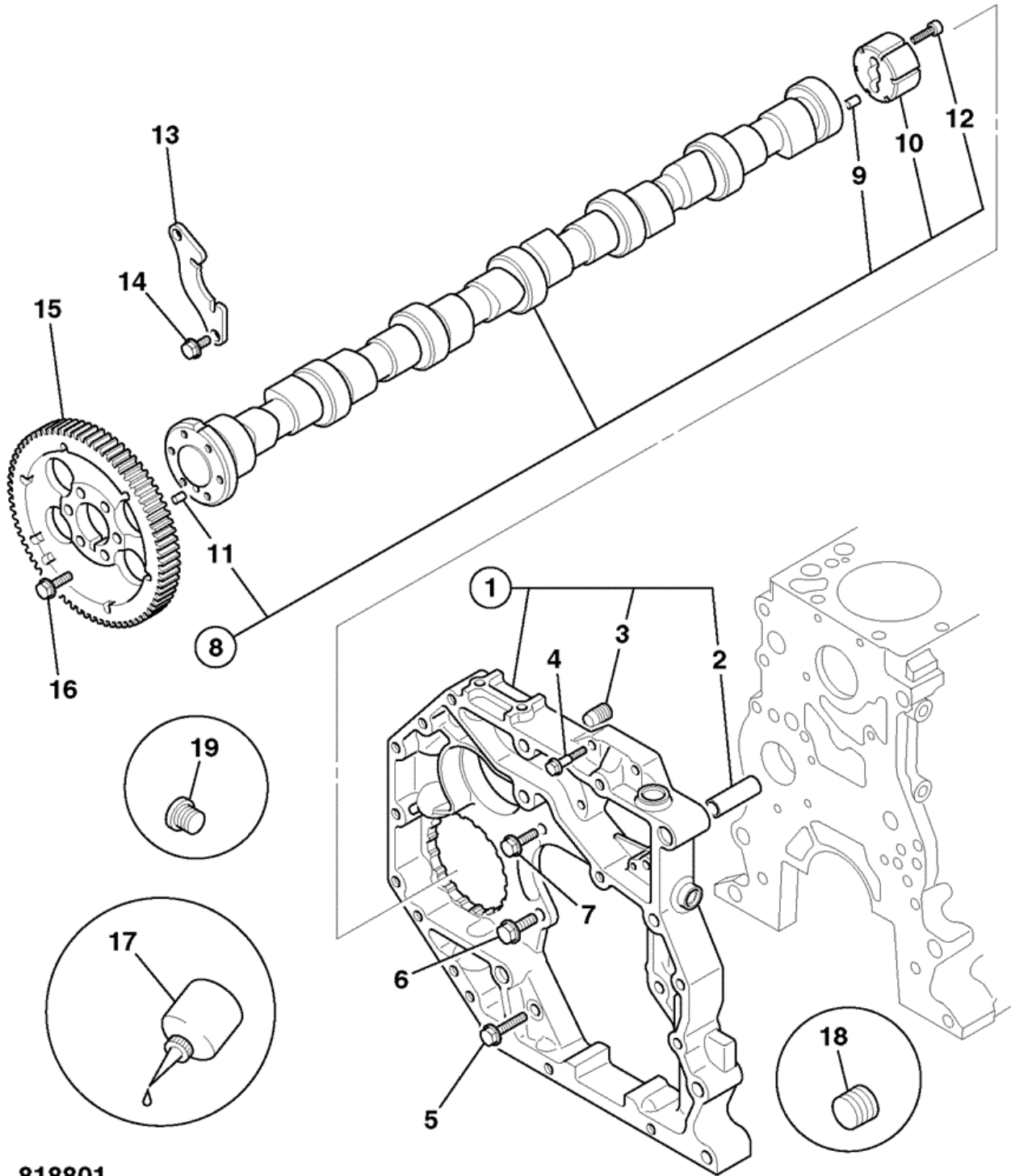
818790

Item	Part #	Change No	Description	Usage Code	QTY
1	02/912503		Housing timing gear		1
2	02/911783		Seal oil		1
3	02/911074		Screw M8 x 45		7

4	02/911062		Screw	6
5	02/911781		Dowel ring	2
6	02/912500		Sealant liquid	0



## 9802/6740 U1-6-2 REAR HOUSING CAMSHAFT & GEAR



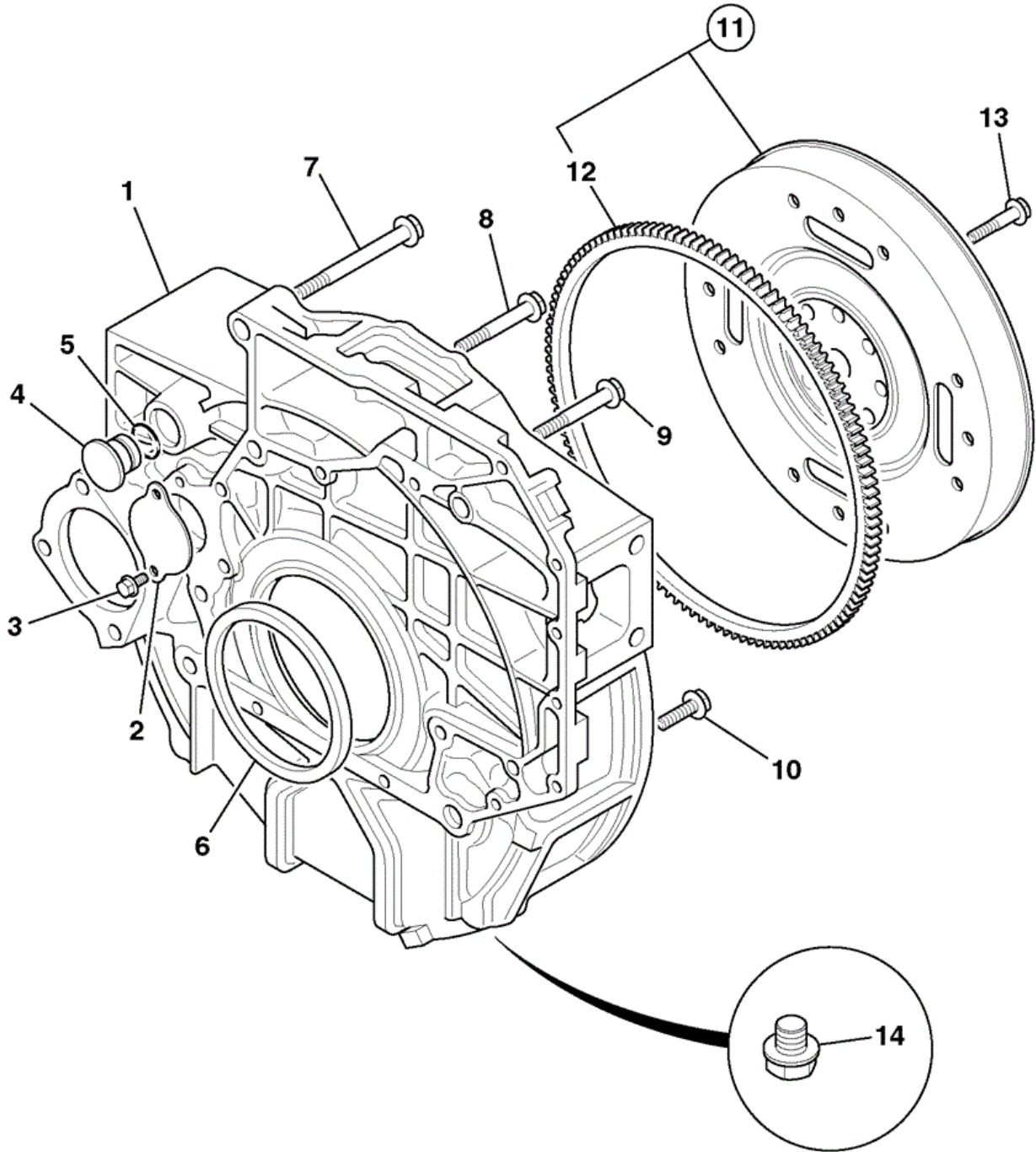
818801

Item	Part #	Change No	Description	Usage Code	QTY
1	02/912519		Housing rear gear		1
2	:02/911699		Dowel ring		2
3	:02/912271		Insert threaded		2

4	02/911074		Screw M8 x 45	4
5	02/912477		Screw hex flange head M10X50	3
6	02/911065		Screw M12 X 30	1
7	02/911120		Screw	2
8	02/911823		Camshaft	1
9	:02/911824		Dowel ring	1
10	:02/911825		Ring speed indicator	1
11	::02/910039		Dowel pin	1
12	:02/911826		Screw socket head	2
13	02/911828		Bracket camshaft thrust	1
14	02/911069		Screw Flanged Head M8 x 16mm	2
15	02/912424		Gear camshaft	1
16	02/911829		Screw hex flange head	6
17	02/912500		Sealant liquid	0
18	02/910066		Plug pipe 3/4"NPT	2
19	02/912442		Plug	1



## 9802/6740 U1-7-1 FLYWHEEL & HOUSING



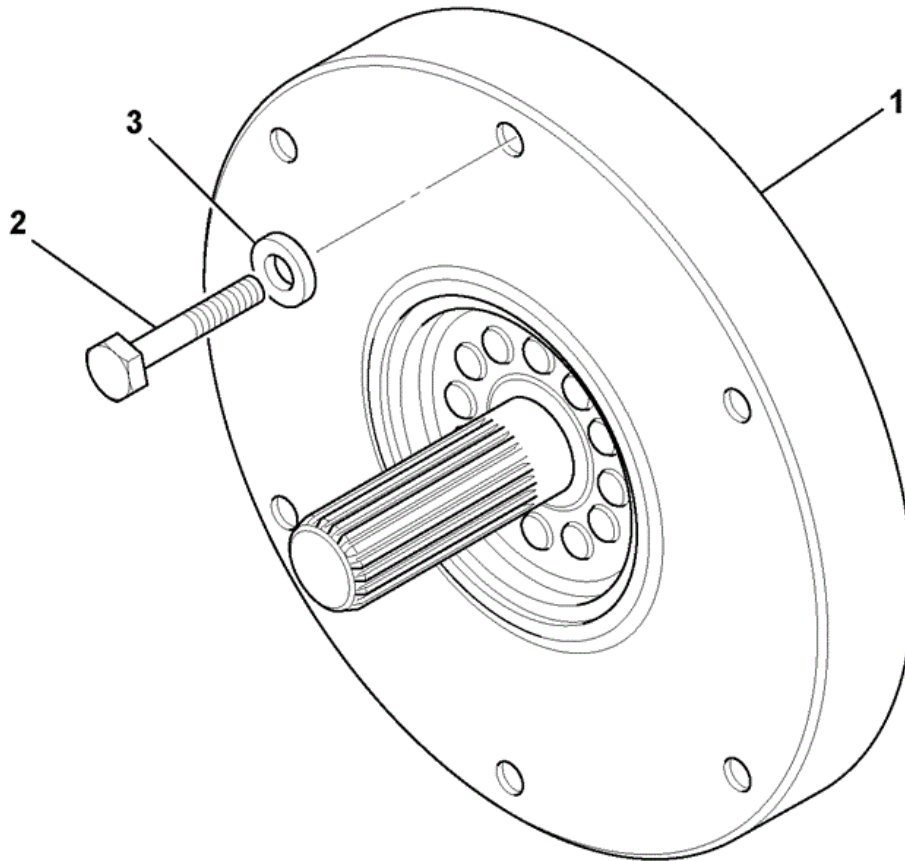
819190

Item	Part #	Change No	Description	Usage Code	QTY
1	332/G3936		Housing Flywheel		1
2	02/912292		Plate cover		1
3	02/911009		Screw		2

4	02/910068		Plug	1
5	02/910067		O Ring	1
6	02/912635		Kit-seal Rear Crankshaft Oil	1
7	02/912291		Screw flange head	2
8	02/911499		Screw	2
9	02/911771		Screw flange head	6
10	02/911233		Screw flange head	10
11	02/912537		Flywheel assembly	1
12	:02/910575		Gear flywheel ring	1
13	02/911017		Screw	8
13A	02/911018		Washer Plain	6
14	02/910571		Plug	1
15	02/912500		Sealant liquid	0



## 9802/6740 U1-7-2 FLYWHEEL DAMPER INSTALLATION



821230

Item	Part #	Change No	Description	Usage Code	QTY
1	331/30398		Coupling voith torsional damper ( Flat)		1
2	1316/3414Z		Bolt		6
3	823/00171		Spacer		6

Thank you so much for reading.  
Please click the “Buy Now!”  
button below to download the  
complete manual.



After you pay.

You can download the most  
perfect and complete manual in  
the world immediately.

Our support email:

[ebooklibonline@outlook.com](mailto:ebooklibonline@outlook.com)