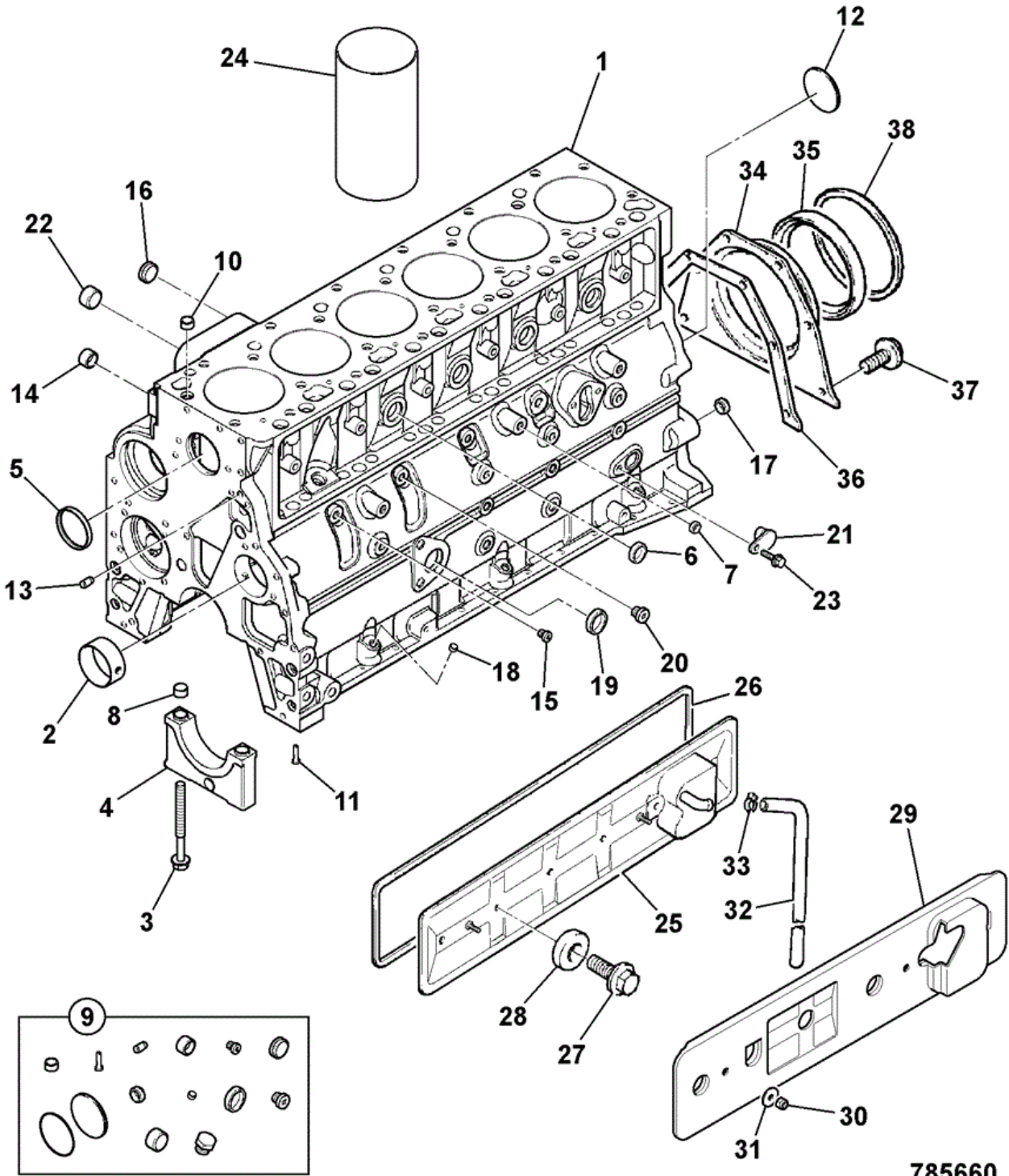




9802/6700 U11-3-1 BLOCK ASSEMBLY

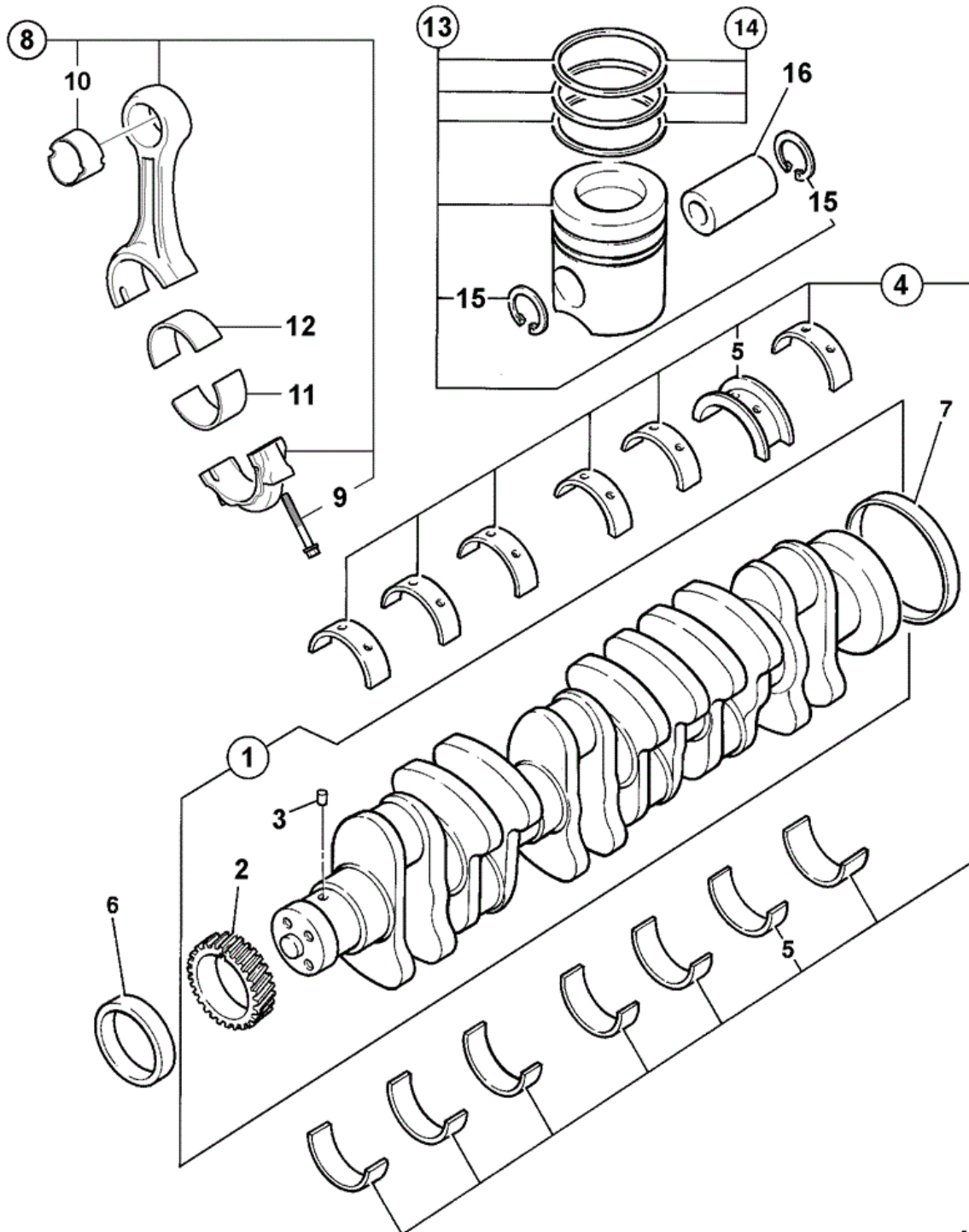


785660

Item	Part #	Change No	Description	Usage Code	QTY
1	02/910801		Block cylinder assembly		1
2	:02/910799		Bush camshaft		1
3	:02/911124		Bolt		14

4	:02/911294		Cap Bearing	7
5	:02/910006		Plug Expansion D=58mm	5
6	:02/910007		Plug Expansion D=26mm	4
7	:02/910008		Plug Expansion 17.73mm	4
8	:02/910009		Thimble	14
9	:02/910937		Kit-block hardware	1
10	::02/910011		Dowel Ring	2
11	::02/910798		Nozzle Piston Cooling	6
12	::02/910013		Plug Expansion, D=60mm	1
13	::02/910014		Dowel Pin	2
14	::02/910503		Plug D=22.5mm	1
15	::02/910796		Plug	3
16	::02/910066		Plug pipe 3/4"NPT	1
17	::02/910009		Thimble	2
18	::02/910019		Plug Expansion D=9.8mm	3
19	::02/910020		Plug Expansion, D=32mm	1
20	::02/910796		Plug	1
21	::02/910853		Plug & o ring	1
22	::02/910015		Plug pipe 1/2"NPT	1
23	::02/911009		Screw	1
24	02/910021		Liner cylinder	1
25	02/911440		Cover push rod	1
26	02/910935		Gasket push-rod cover	1
27	02/911009		Screw	6
28	02/910855		Grommet Seal	6
29	02/911473		Panel noise	1
30	02/911472		Nut lock M6	2
31	02/911112		Washer	2
32	02/910026		Hose Plain	1
33	02/910027		Clamp Hose Clip	1
34	02/910498		Housing rear seal	1
35	02/910856		Kit-seal rear oil	1
36	02/910792		Gasket rear seal housing	1
37	02/911454		Screw flange head 10.9	6
38	02/910028		Seal Rectangular Ring	1

JCB 9802/6700 U11-4-1 CRANKSHAFT, BEARINGS PISTONS &
CON-RODS



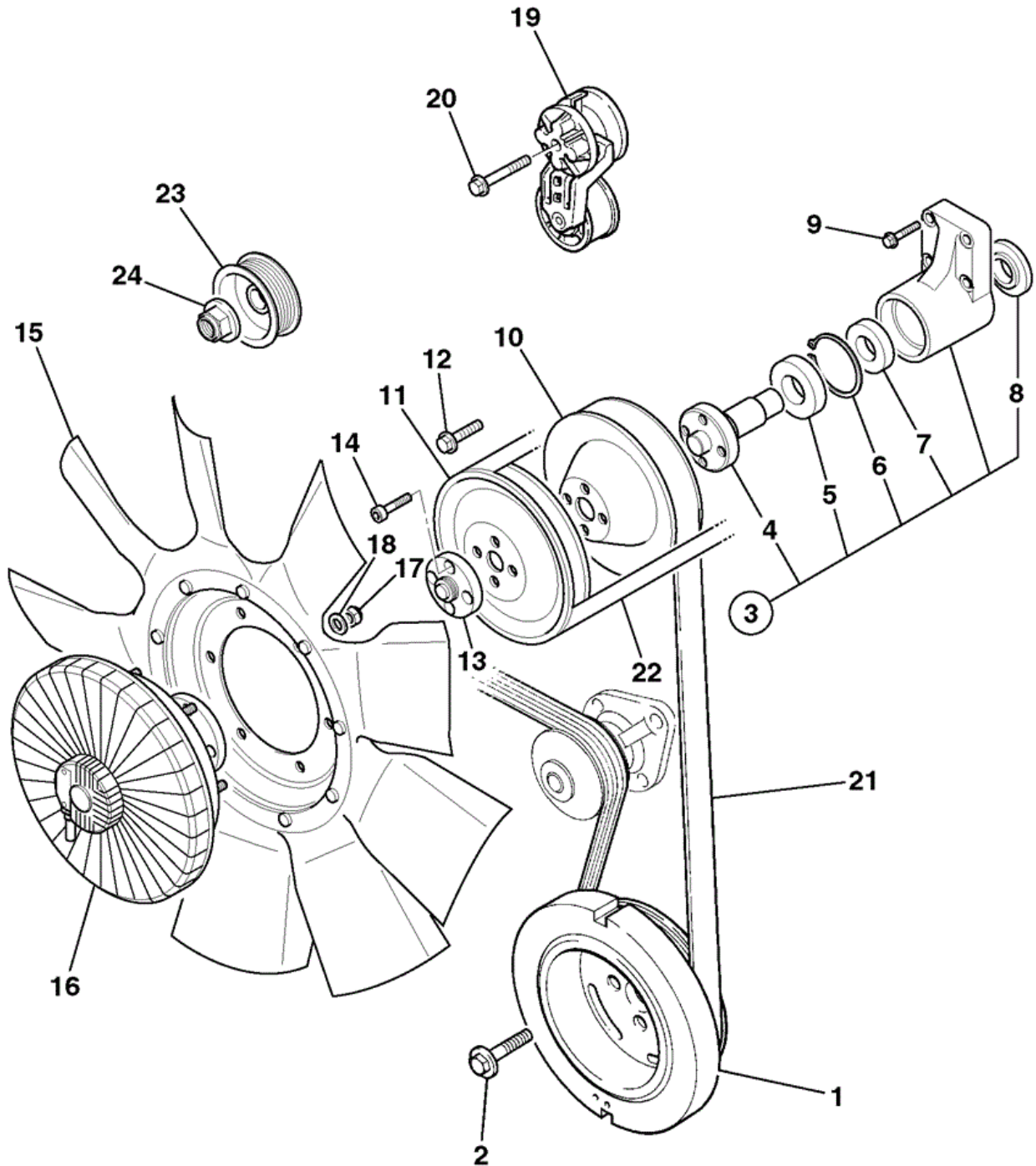
427021

Item	Part #	Change No	Description	Usage Code	QTY
1	02/910040		Crankshaft assembly		1

2	:02/919991	Gear Crankshaft	1
3	:02/910039	Dowel pin	1
4	02/919901	Kit-bearing main standard	1
4	02/919902	Kit-bearing main oversize - 0.25mm	0
4	02/919903	Kit-bearing main oversize - 0.50mm	0
4	02/919904	Kit-bearing main oversize - 0.75mm	0
4	02/919905	Kit-bearing main oversize - 1.00mm	0
5	02/919906	Kit-bearing thrust oversize - .5mm	0
5	02/919907	Kit-bearing thrust oversize - 1.0mm	0
6	:02/910038	Sleeve wear	1
7	:02/910037	Sleeve wear	1
8	02/911481	Rod connecting	6
9	:02/911333	Bolt con-rod	2
10	:02/911332	Bush small end	1
11	02/911334	Bearing big-end	6
12	02/919909	Bearing big end shell standard	6
13	02/910862	Piston Piston assembly	6
13A	02/910864	Piston assembly 0.50mm oversize	0
13B	02/910866	Piston assembly 1.00mm oversize	0
14	:02/910863	Kit-piston ring	1
14A	:02/910865	Kit-piston ring 0.50mm oversize	0
14B	:02/910867	Kit-piston ring 1.00mm oversize	0
15	:02/910143	Circlip	2
15A	:02/910143	Circlip	0
15B	:02/910143	Circlip	0
16	02/910142	Pin gudgeon	6



9802/6700 U11-5-1 FANS, PULLEYS & FAN BELT



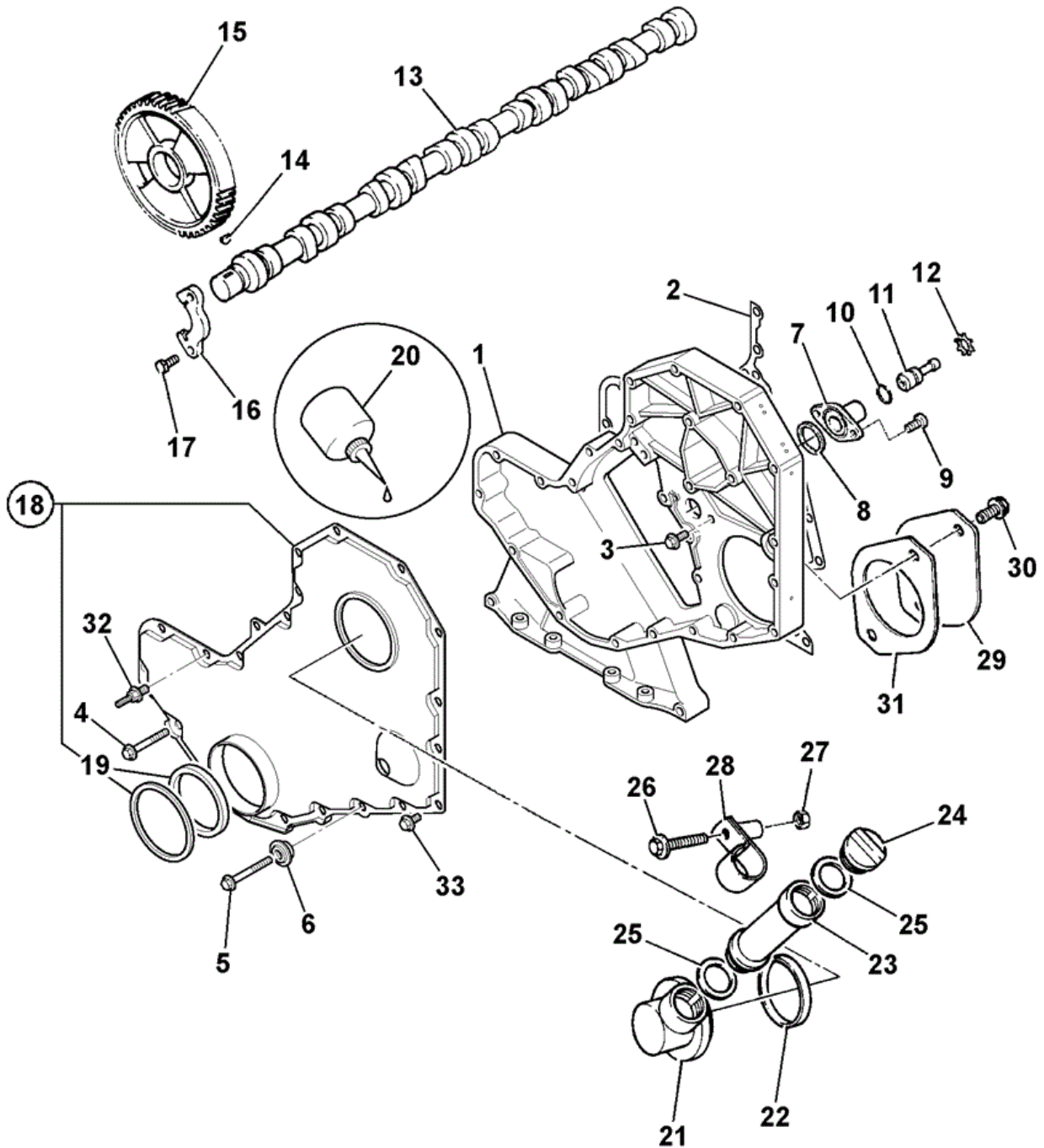
704370

Item	Part #	Change No	Description	Usage Code	QTY
1	02/911441		Damper vibration		1
2	02/911003		Bolt		4
3	02/911560		Housing fan support		1

4	:02/911594		Hub fan	1
5	:02/911595		Bearing ball	2
6	:02/911589		Ring retaining	1
7	:02/911593		Bearing Ball	1
8	:02/911592		Retainer fan Hub	1
9	02/911126		Screw	4
10	02/911351		Pulley fan drive	1
11	02/910044		Pulley accessory drive	1
12	02/911005		Bolt	4
13	01/180025		Adapter fan drive	1
14	1391/3405D		Capscrew M10X20mm	1
15	30/925608		Fan 24" cooling	1
16	30/926685		Coupling viscous fan	1
17	1370/0203D		Nut Lock M8	6
18	1420/0007D		Washer (M8)	6
19	02/911605		Adjuster drive belt tension	1
20	02/911006		Bolt	1
21	02/911599		Belt fan drive	1
22	478/01834		Belt drive	1
23	331/30949		Pulley alternator	1
24	826/10969		Nut M16 flange head	1



9802/6700 U11-6-1 TIMING CASE CAMSHAFT & GEARS



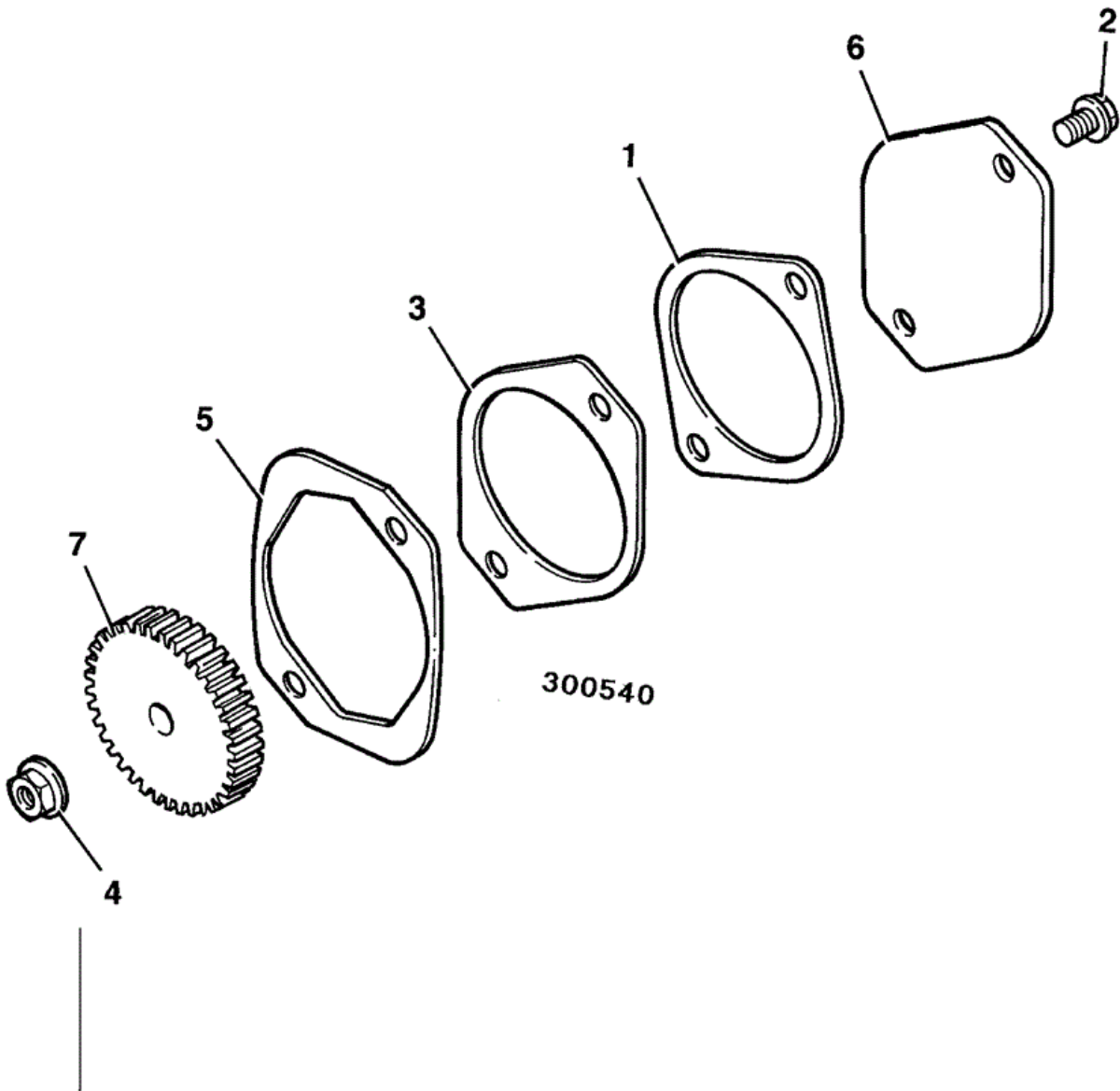
427162

Item	Part #	Change No	Description	Usage Code	QTY
1	02/911437		Housing timing gear		1
2	02/910049		Gasket gear housing		1
3	02/911085		Screw		10

4	02/911010	Screw flange head M8 x 50mm	8
5	02/911011	Screw flange head M8 x 60mm	1
6	02/910054	Retainer belt	1
7	02/910059	Housing timing pin	1
8	02/910058	Seal rectangular ring	1
9	02/911012	Screw	2
10	02/910057	O Ring	1
11	02/910056	Pin timing	1
12	02/910055	Ring retaining	1
13	02/910410	Camshaft	1
14	02/910062	Key	1
15	02/910411	Gear Camshaft	1
16	02/910063	Bracket Cam Thrust	1
17	02/911013	Screw	1
18	:02/911465	Cover front,gear	1
19	:02/911276	Kit-front oil seal standard	1
20	02/911575	Gasket liquid	1
21	02/910086	Connector engine oil filler	1
22	02/910043	Seal	1
23	02/910087	Tube engine oil filler	1
24	02/910088	Cap engine oil filler	1
25	02/910089	Seal	2
26	02/911042	Screw	1
27	02/911041	Nut flange	1
28	02/910064	Clip	1
29	02/910561	Plate cover	1
30	02/911087	Screw	2
31	02/910487	Gasket	1
32	02/911042	Screw	2
33	02/911070	Screw	9



9802/6700 U11-6-2 TIMING CASE AUXILIARY DRIVE

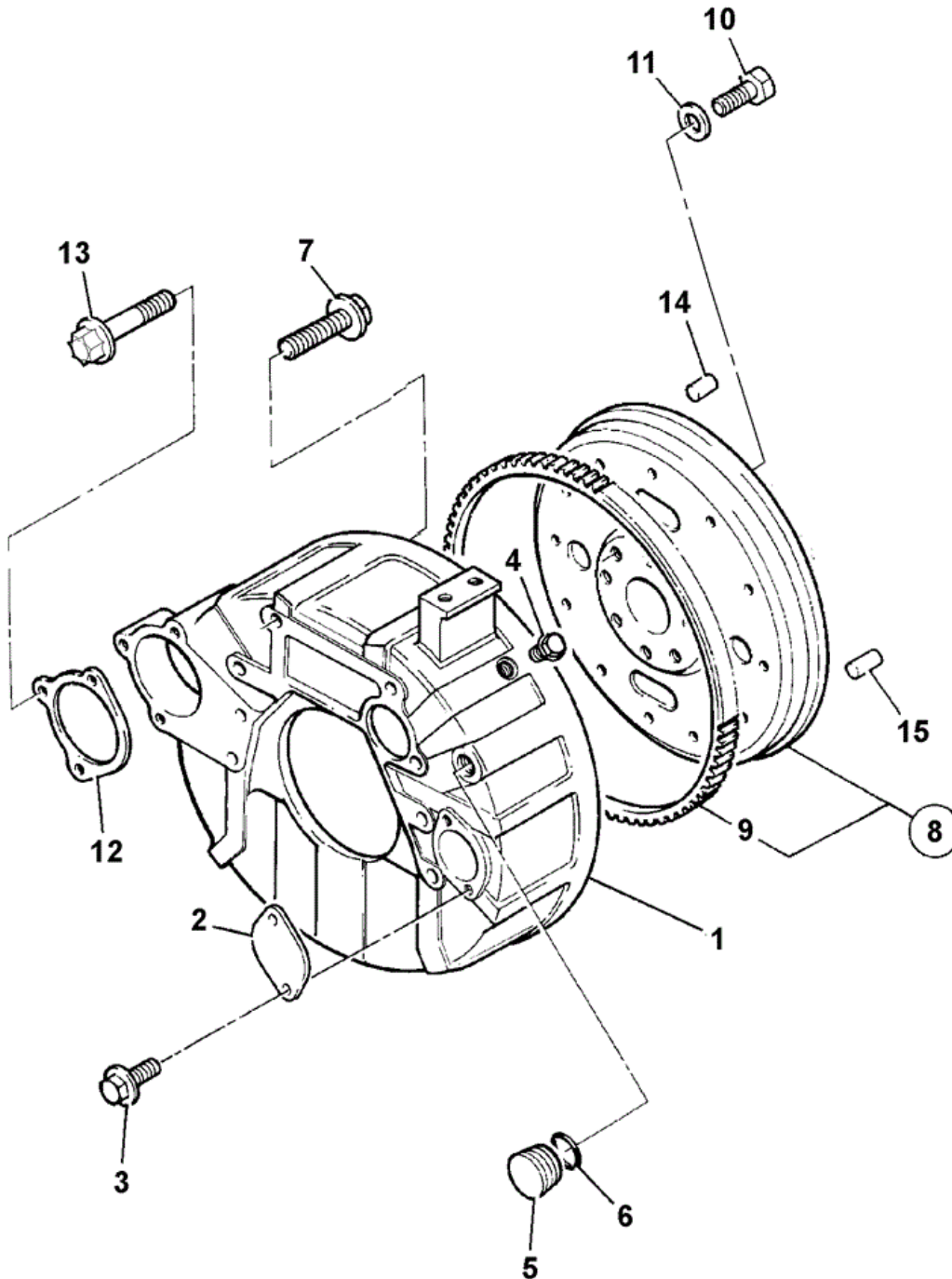


Item	Part #	Change No	Description	Usage Code	QTY
1	02/910873		Gasket		1
2	02/911087		Screw		2
3	02/910733		Spacer		1

4	02/991091		Nut		1
5	02/910873		Gasket		1
6	02/910561		Plate cover		1
7	02/910735		Gear auxiliary drive		1



9802/6700 U11-7-1 FLYWHEEL & HOUSING



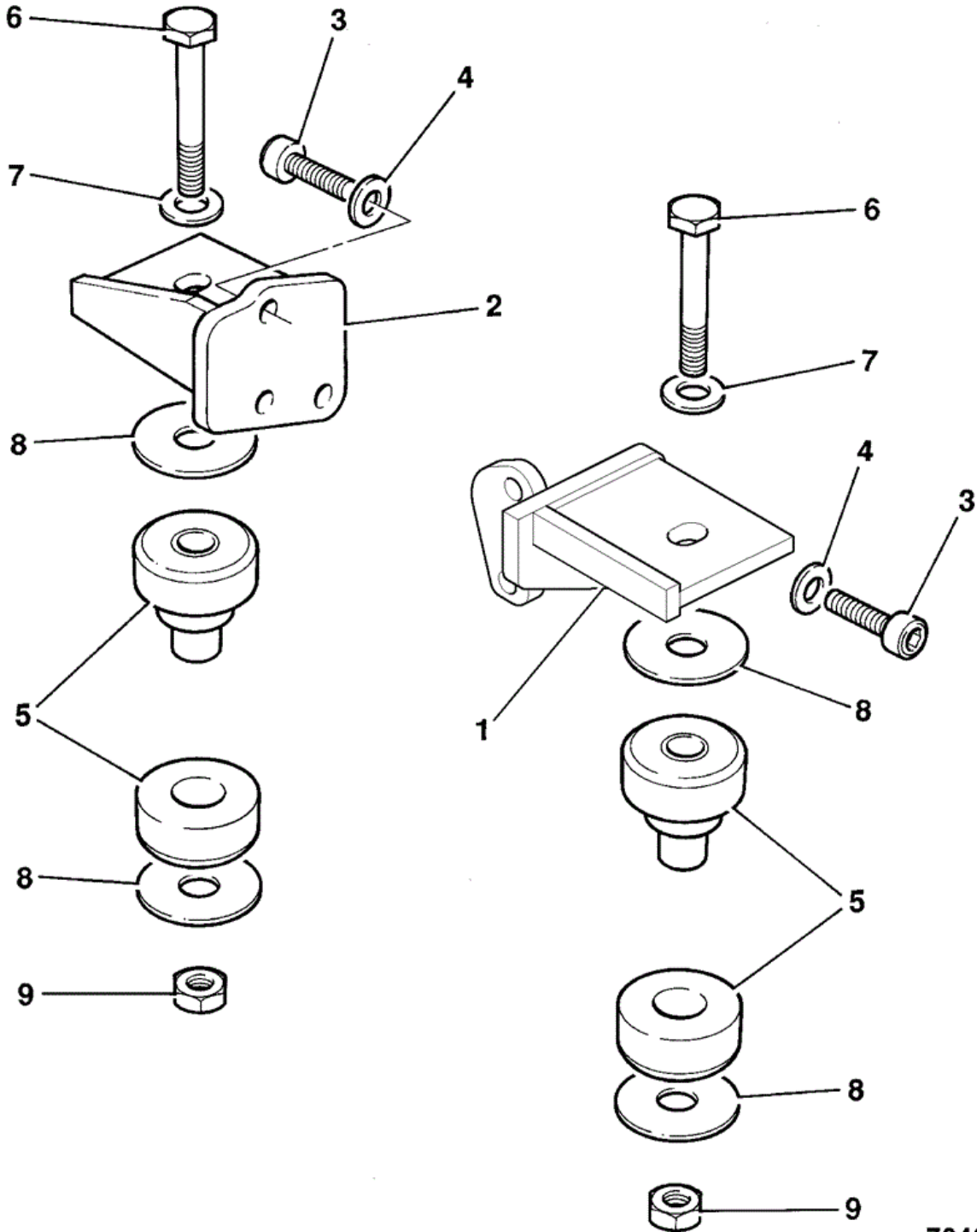
426990

Item	Part #	Change No	Description	Usage Code	QTY
1	02/910964		Housing flywheel		1
2	02/910069		Plate Cover		1
3	02/911016		Screw		2

4	02/910571		Plug		1
5	02/910068		Plug		1
6	02/910067		O Ring		1
7	02/911015		Screw		8
8	02/911464	Superseded	Flywheel		1
8	02/912445		Flywheel assembly		1
9	:02/910575		Gear flywheel ring		1
10	02/911017		Screw		8
11	02/911018		Washer Plain		8
12	02/911326		Gasket starter motor		1
13	02/911327		Screw star drive		3
14	02/910073		Dowel		1
15	02/910074		Dowel		1



9802/6700 U11-8-1 ENGINE MOUNTINGS



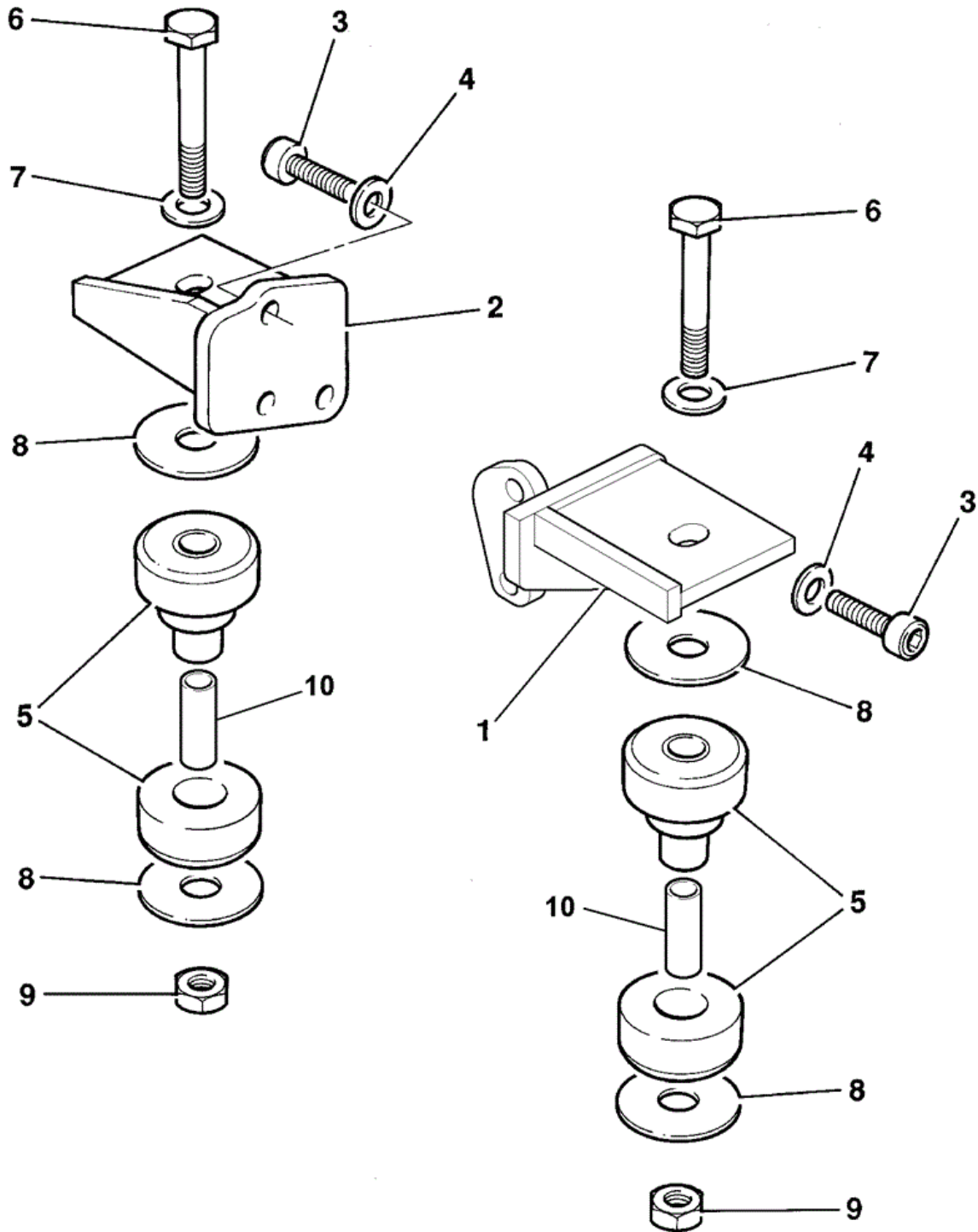
704090

Item	Part #	Change No	Description	Usage Code	QTY
1	331/36238		Bracket engine mounting left hand		1
2	331/17717		Bracket engine mounting right hand		1
3	1391/3508D		Capscrew M12 x 30		6

4	1420/0009D		Washer (M12)	6
5	477/04000		Mounting metalastik	2
6	1316/3521D		Bolt M12 x 110 10.9	2
7	1422/0009D		Washer Hardened (M12)	2
8	823/10580		Washer rebound	2
9	1370/0403D		Nut Lock M12	2
10	829/30924		Tube spacer	1



9802/6700 U11-8-2 ENGINE MOUNTINGS



704091

Item	Part #	Change No	Description	Usage Code	QTY
1	335/06757		Bracket engine mounting left hand		1
2	335/06756		Bracket engine mounting right hand		1
3	1391/3508D		Capscrew M12 x 30		6

Thank you so much for reading.
Please click the “Buy Now!”
button below to download the
complete manual.



After you pay.

You can download the most
perfect and complete manual in
the world immediately.

Our support email:

ebooklibonline@outlook.com