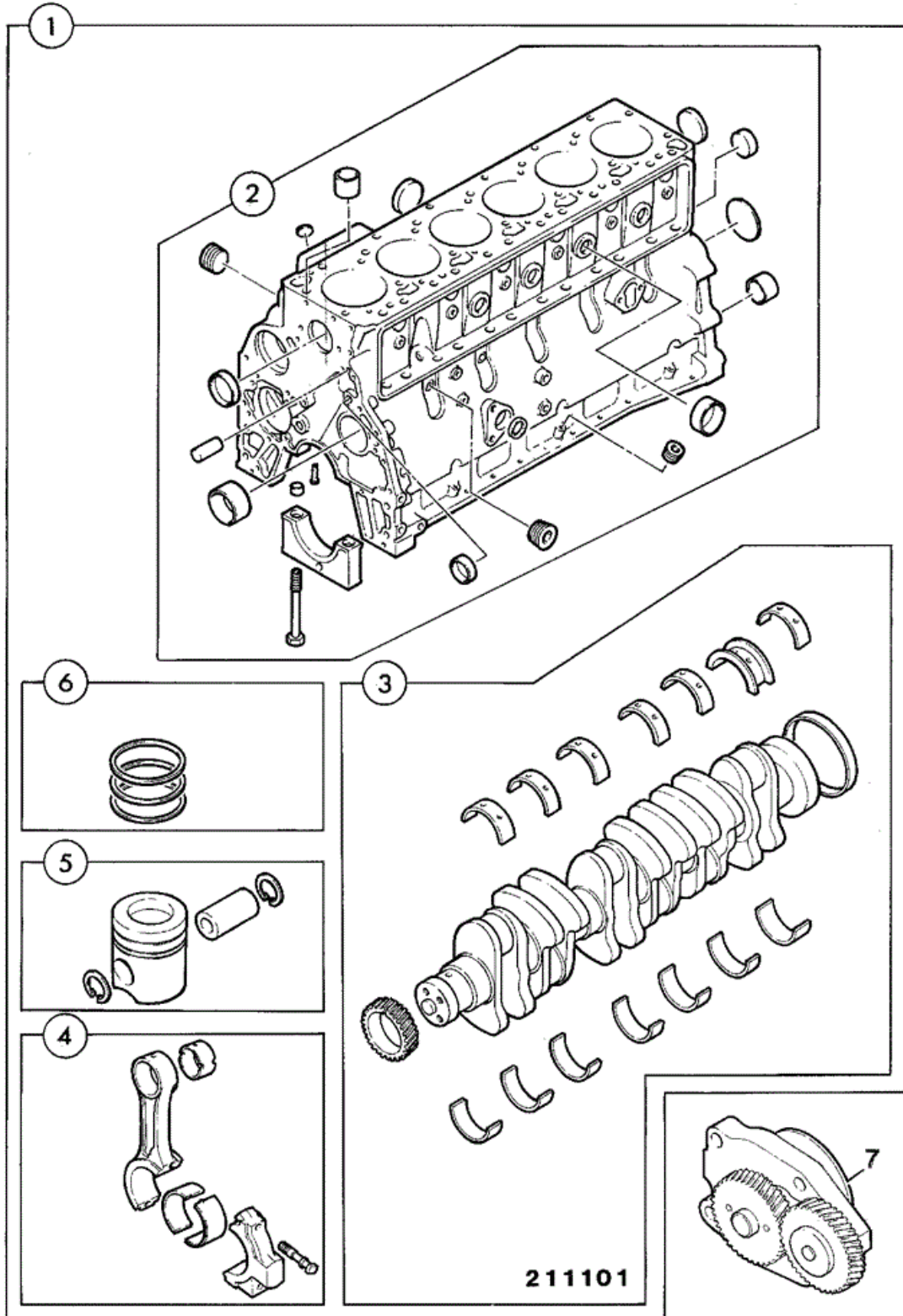




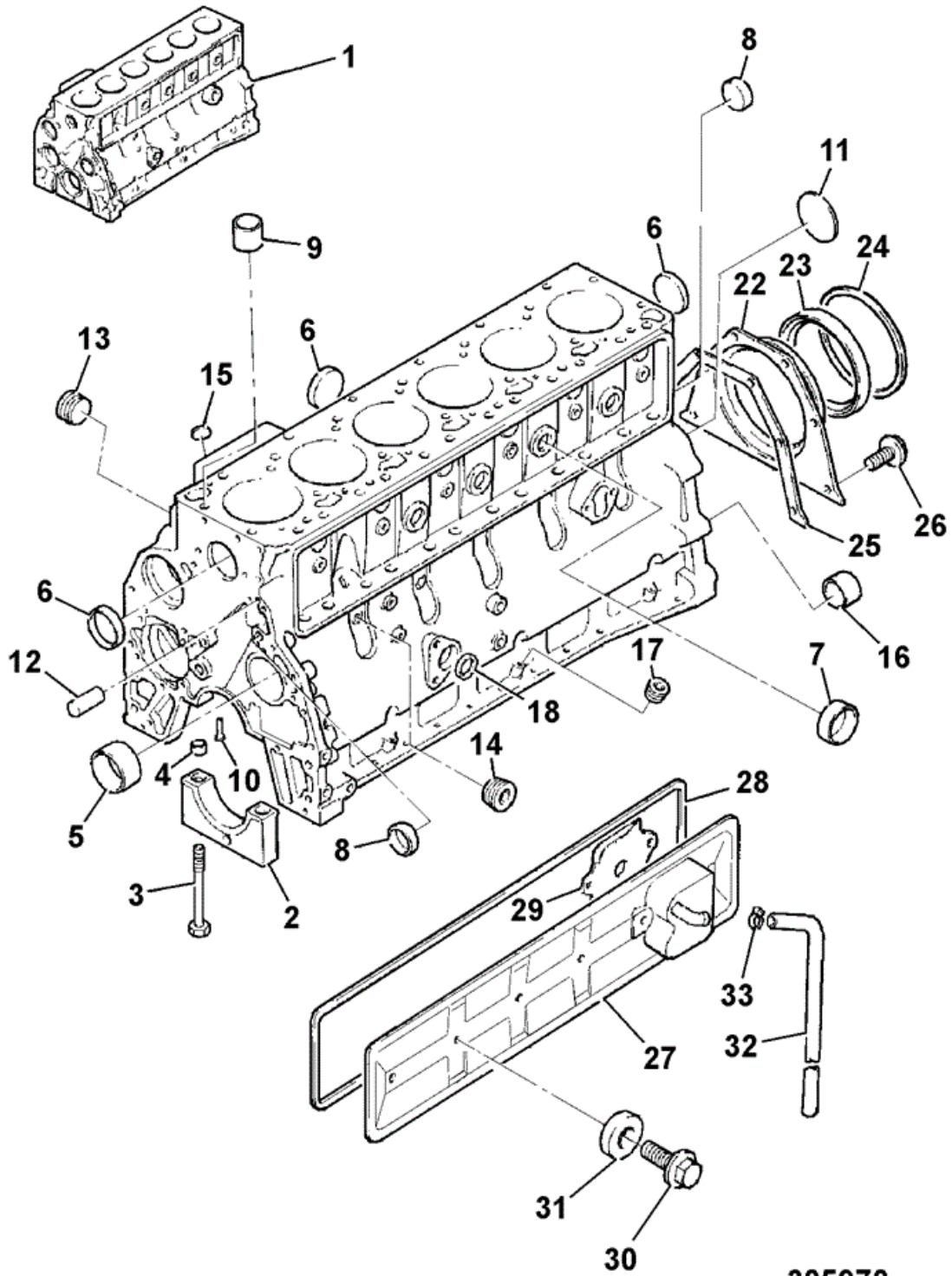
9802/6660 U1-2-1 ENGINE, SHORT



Item	Part #	Change No	Description	Usage Code	QTY
1	02/910740		Engine short <i>Block assembly, See frame U1-3-1</i>		1
1A	02/910740R		Engine short		1
2	****		'See Remark' <i>Block assembly, See frame U1-3-1</i>		1
3	****		'See Remark' <i>Crankshaft assembly, See frame U1-4-2</i>		1
4	****		'See Remark' <i>Con-rods, See frame U1-4-2</i>		1
5	****		'See Remark' <i>Piston assembly, See frame U1-4-2</i>		1
6	****		'See Remark' <i>Ring kits, See frame U1-4-2</i>		1
7	****		'See Remark' <i>Oil pump, Refer to frame U5-2-2</i>		1



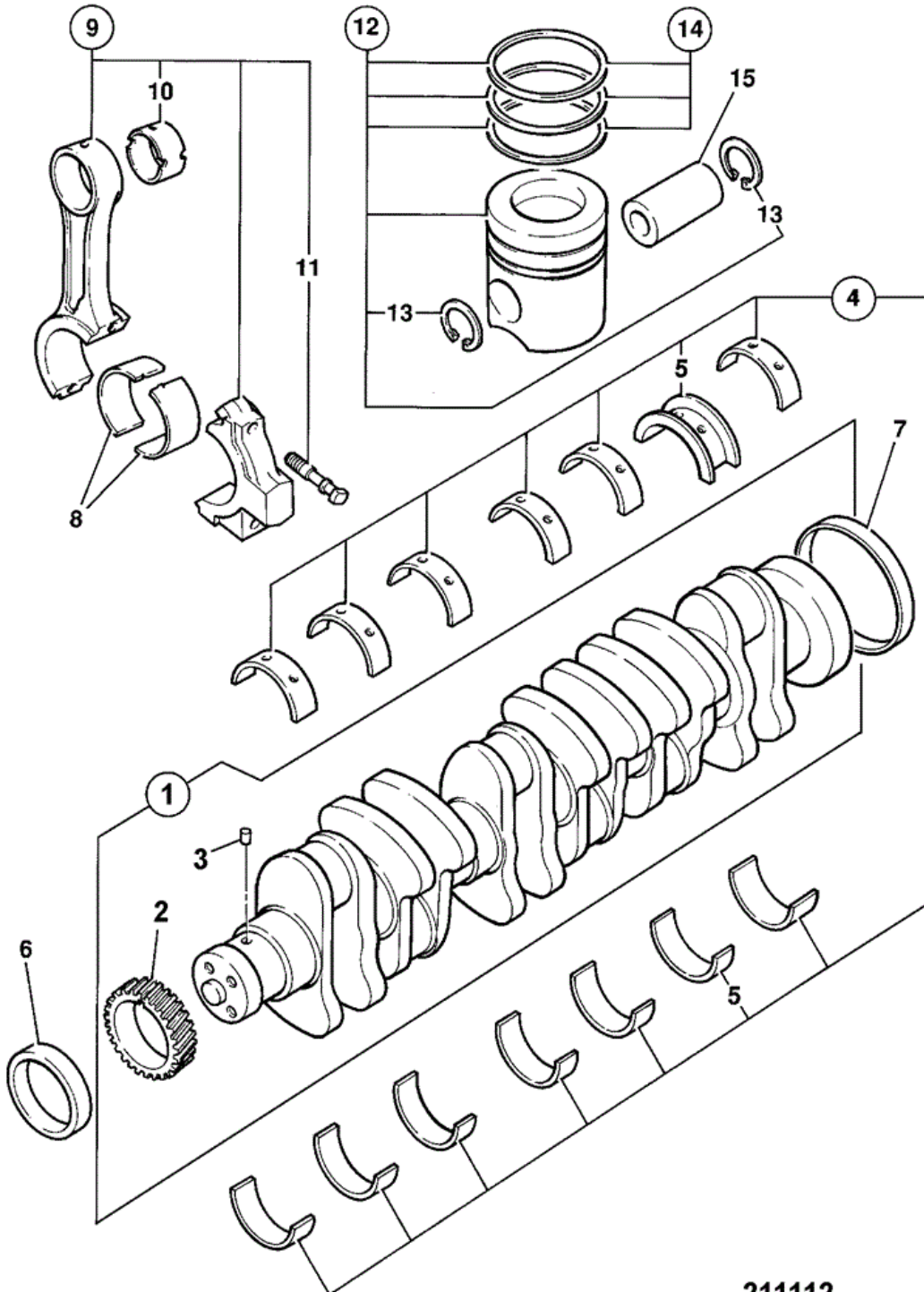
9802/6660 U1-3-1 BLOCK ASSEMBLY



305970

Item	Part #	Change No	Description	Usage Code	QTY
1	02/910801		Block cylinder assembly		1
2	:02/910005		Cap main bearing		7
3	:02/911124		Bolt		14
4	:02/910009		Thimble		14
5	:02/910799		Bush camshaft		1
6	:02/910006		Plug Expansion D=58mm		1
7	:02/910007		Plug Expansion D=26mm		1
8	:02/910008		Plug Expansion 17.73mm		1
9	:02/910011		Dowel Ring		2
10	02/910798		Nozzle Piston Cooling		6
11	02/910013		Plug Expansion, D=60mm		1
12	02/910014		Dowel Pin		2
13	02/910015		Plug pipe 1/2"NPT		1
14	02/910016		Plug pipe		2
15	****		'See Remark' <i>NOT FITTED OR REQUIRED</i>		0
16	02/910009		Thimble		2
17	02/910796		Plug		3
18	02/910797		Plug		1
19	02/910503		Plug D=22.5mm <i>ITEMS 19,20,21 NOT ILLUSTRATED</i>		1
20	02/910795		Seal O Ring		1
21	02/911009		Screw		1
22	02/910018		Housing rear seal		1
23	02/910030		Kit-seal rear oil		1
24	02/910028		Seal Rectangular Ring		1
25	02/910792		Gasket rear seal housing		1
26	02/911014		Screw Flange Head 8.8		6
27	02/910023		Cover Push Rod		1
28	02/910022		Gasket Push Rod Cover		1
29	02/910024		Baffle breather		1
30	02/911002		Screw M8 x 20mm		4
31	02/910025		Seal grommet		4
32	02/910026		Hose Plain		1
33	02/910027		Clamp Hose Clip		1

JCB 9802/6660 U1-4-1 CRANKSHAFT, BEARINGS PISTONS &
CON-RODS MACHINED

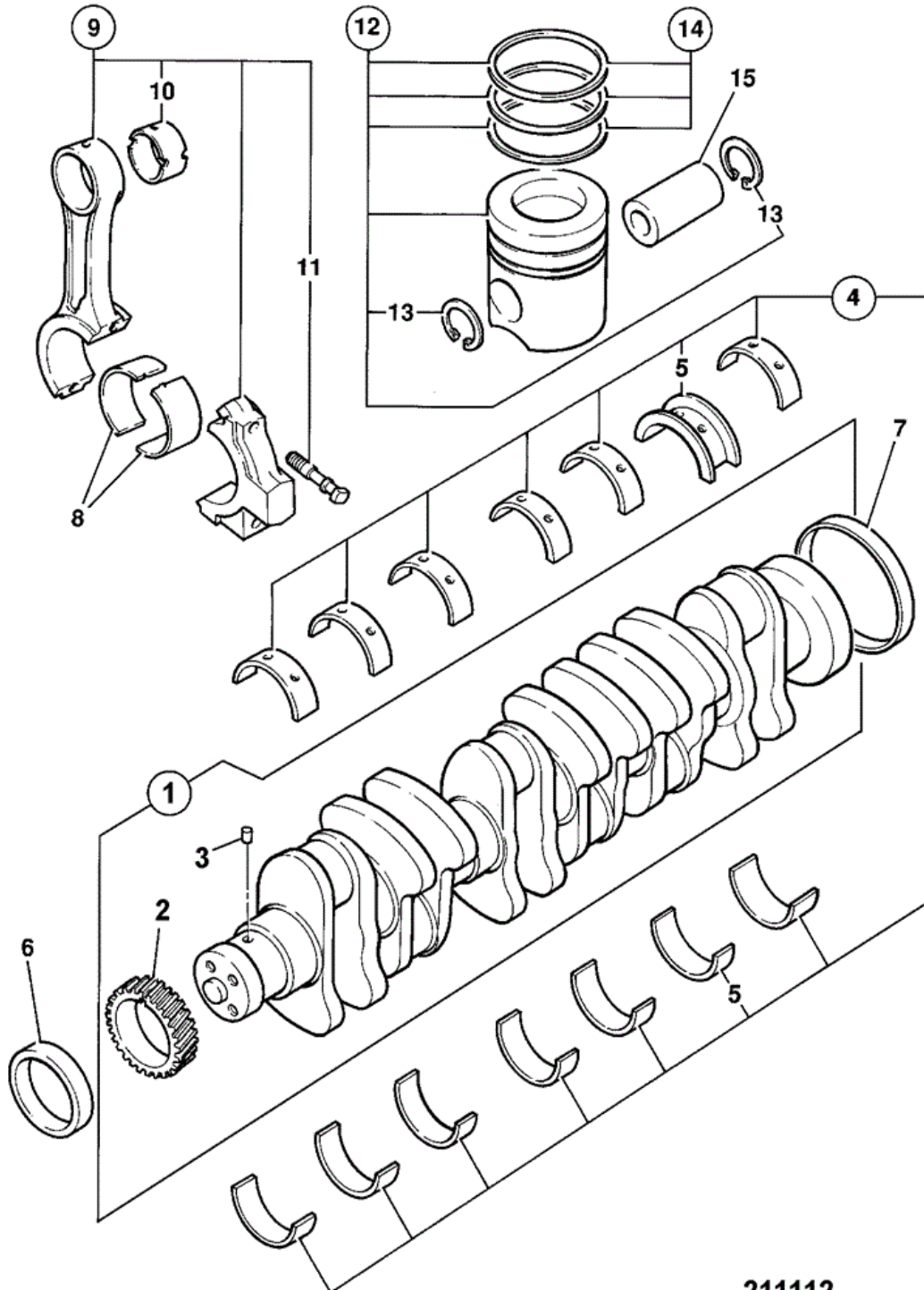


211112

Item	Part #	Change No	Description	Usage Code	QTY
1	02/910040		Crankshaft assembly		1

2	:02/919991	Gear Crankshaft	1
3	:02/910039	Dowel pin	1
4	02/919901	Kit-bearing main standard	1
4	02/919902	Kit-bearing main oversize - 0.25mm	0
4	02/919903	Kit-bearing main oversize - 0.50mm	0
4	02/919904	Kit-bearing main oversize - 0.75mm	0
4	02/919905	Kit-bearing main oversize - 1.00mm	0
5	02/919906	Kit-bearing thrust oversize - .5mm	0
5	02/919907	Kit-bearing thrust oversize - 1.0mm	0
6	:02/910038	Sleeve wear	1
7	:02/910859	Kit-wear sleeve rear	1
8	02/919909	Bearing big end shell standard	12
8	02/919910	Bearing big end shell oversize - 0.25mm	0
8	02/919911	Bearing big end shell oversize - 0.50mm	0
8	02/919912	Bearing big end shell oversize - 0.75mm	0
8	02/919913	Bearing big end shell oversize - 1.00mm	0
9	02/910860	Rod connecting	6
10	:02/919908	Bush small end	1
11	:02/911040	Bolt con-rod	2
12	02/910406	Piston assembly	6
12A	02/910960	Piston assembly 0.5mm oversize	0
12B	02/910962	Piston assembly 1.0mm - oversize	0
13	:02/910143	Circlip	1
14	:02/910407	Kit-piston ring	1
14A	02/910961	Kit-piston ring 0.5mm - oversize	0
14B	02/910963	Kit-piston ring 1.0mm - oversize	1
15	02/910142	Pin gudgeon	1

JCB 9802/6660 U1-4-2 CRANKSHAFT, BEARINGS PISTONS &
CON-RODS FRACTURE SPLIT



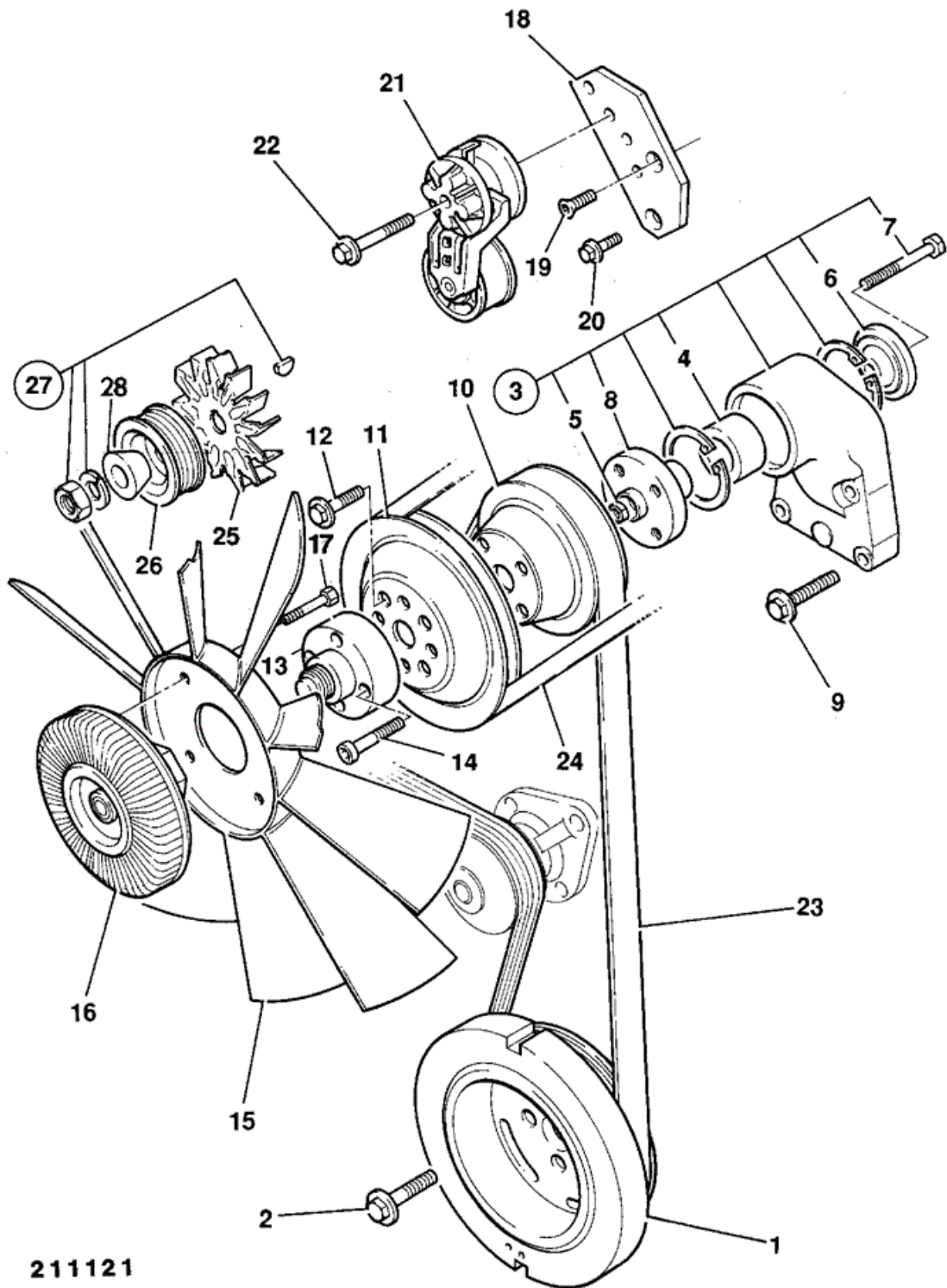
211112

Item	Part #	Change No	Description	Usage Code	QTY
1	02/910040		Crankshaft assembly		1

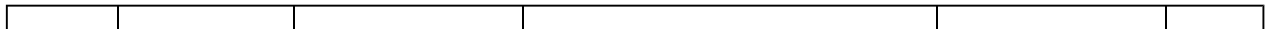
2	:02/919991		Gear Crankshaft		1
3	:02/910039		Dowel pin		1
4	02/919901		Kit-bearing main standard		1
4	02/919902		Kit-bearing main oversize - 0.25mm		0
4	02/919903		Kit-bearing main oversize - 0.50mm		0
4	02/919904		Kit-bearing main oversize - 0.75mm		0
4	02/919905		Kit-bearing main oversize - 1.00mm		0
5	02/919906		Kit-bearing thrust oversize - .5mm		0
5	02/919907		Kit-bearing thrust oversize - 1.0mm		0
6	:02/910038		Sleeve wear		1
7	:02/910859		Kit-wear sleeve rear		1
8	02/919909		Bearing big end shell standard <i>UPPER</i>		6
8	02/911334		Bearing big-end <i>LOWER</i>		6
9	02/911331	<17SEPT.01	Rod connecting		6
9	02/911481	>18SEPT.01	Rod connecting		6
10	:02/911332		Bush small end		1
11	:02/911333		Bolt con-rod		2
12	02/910406		Piston assembly		6
12A	02/910960		Piston assembly 0.5mm oversize		0
12B	02/910962		Piston assembly 1.0mm - oversize		0
13	:02/910143		Circlip		1
14	:02/910407		Kit-piston ring		1
14A	02/910961		Kit-piston ring 0.5mm - oversize		0
14B	02/910963		Kit-piston ring 1.0mm - oversize		1
15	02/910142		Pin gudgeon		1



9802/6660 U1-5-1 FANS, PULLEYS & FAN BELT



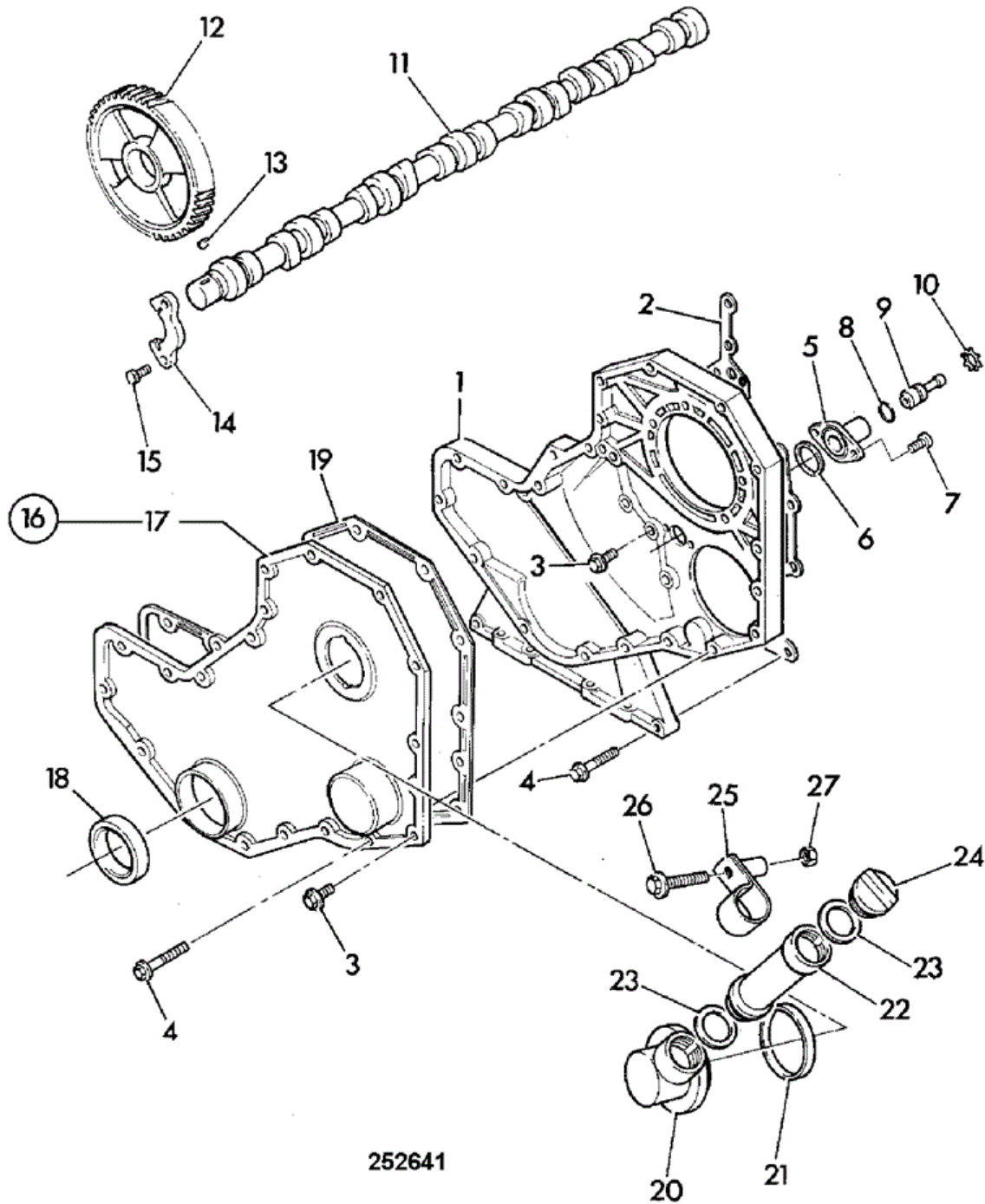
211121



Item	Part #	Change No	Description	Usage Code	QTY
1	02/910041		Damper vibration		1
2	:02/911003		Bolt		4
3	:02/910794		Housing assembly fan drive		1
4	:02/910032		Bearing		1
5	:02/911033		Nut		2
6	:02/910793		Retainer fan hub		1
7	02/911035		Screw		1
8	02/910035		Hub fan		1
9	02/911126		Screw		2
9	02/911062		Screw		2
10	02/910036		Pulley fan		1
11	02/910044		Pulley accessory drive		1
12	02/911005		Bolt		4
13	477/00849		Adapter fan drive		1
14	1391/3412Z		Capscrew		4
15	477/00142		Fan cooling		1
16	477/00904		Coupling viscous		1
17	1315/0316Z		Screw		4
18	02/910047		Bracket belt tensioner		1
19	02/911008		Screw		1
20	02/911125		Screw		1
21	02/910046		Adjuster Belt Tensioner		1
22	02/911007		Bolt M8x1.25x25		1
23	02/910817		Belt fan drive		1
24	478/01834		Belt drive		1
25	714/26023		Fan alternator		1
26	714/26024		Pulley alternator		1
27	714/26021		Kit-sundry parts		1
28	714/26025		Retainer		1



9802/6660 U1-6-1 TIMING CASE CAMSHAFT & GEARS



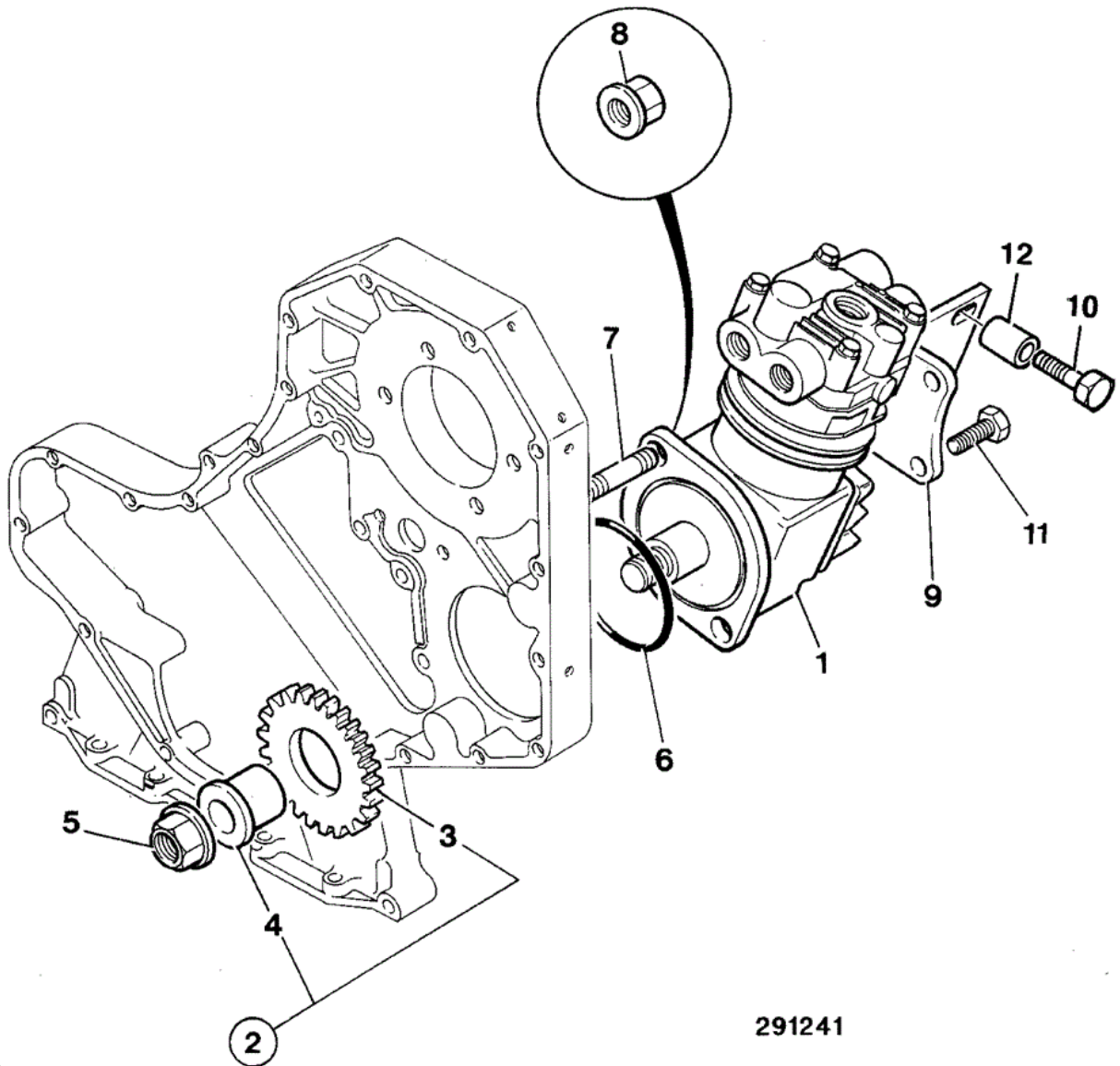
252641

Item	Part #	Change No	Description	Usage Code	QTY
1	02/910418		Casing timing		1
2	02/910049		Gasket gear housing		1

3	02/911070	Screw	16
4	02/911010	Screw flange head M8 x 50mm	11
5	02/910059	Housing timing pin	1
6	02/910058	Seal rectangular ring	1
7	02/911012	Screw	2
8	02/910057	O Ring	1
9	02/910056	Pin timing	1
10	02/910055	Ring retaining	1
11	02/910410	Camshaft	1
12	02/910411	Gear Camshaft	1
13	02/910062	Key	1
14	02/910063	Bracket Cam Thrust	1
15	02/911013	Screw	2
16	02/910419	Cover timing	1
17	****	None serviced part	1
18	02/910052	Kit-seal front oil	1
19	02/910422	Gasket timing cover	1
20	02/910086	Connector engine oil filler	1
21	02/910043	Seal	1
22	02/910087	Tube engine oil filler	1
23	02/910089	Seal	2
24	02/910088	Cap engine oil filler	1
25	02/910064	Clip	1
26	02/911042	Screw	1
27	02/911041	Nut flange	1



9802/6660 U1-6-2 TIMING CASE AUXILIARY DRIVE



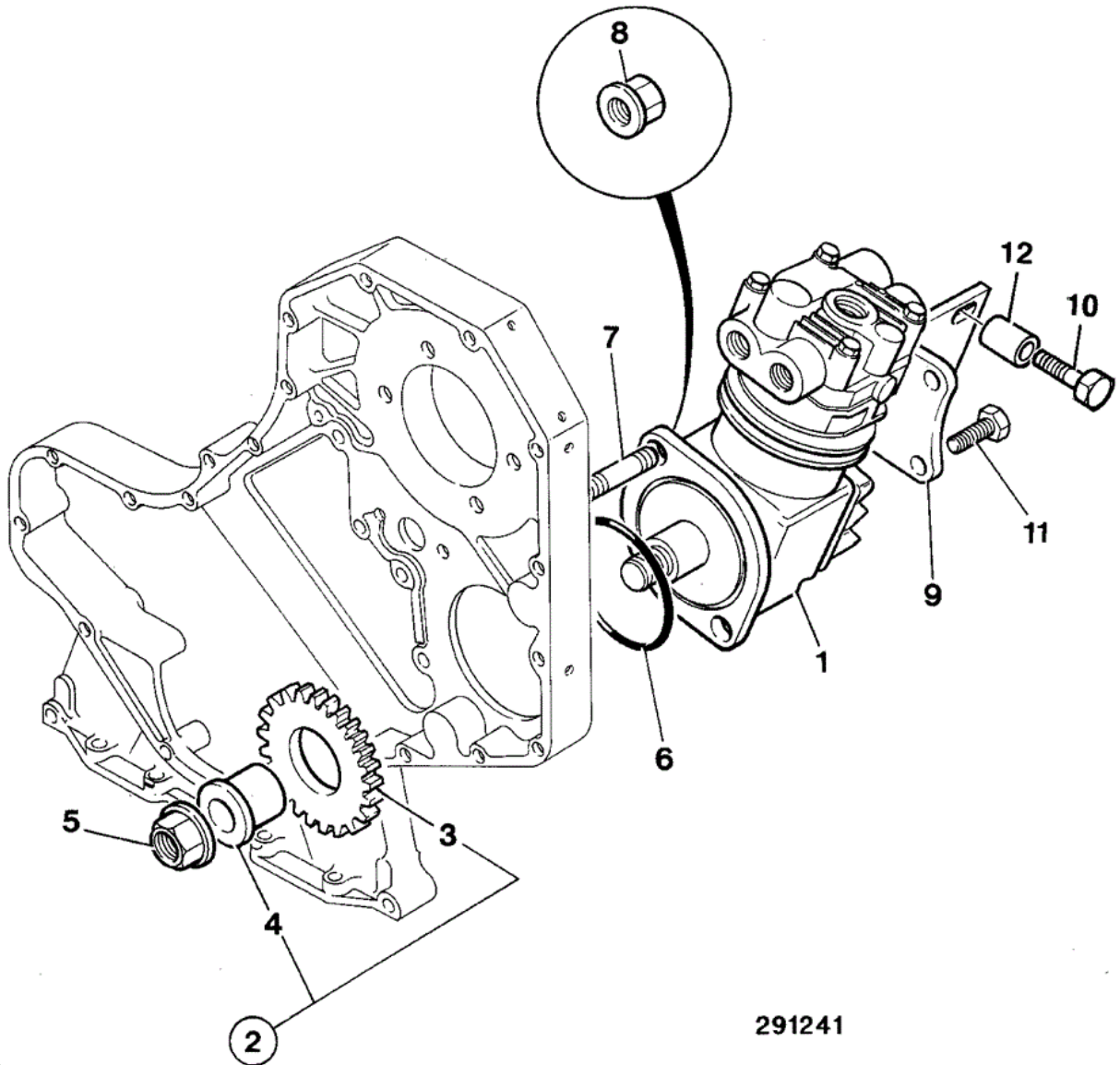
291241

Item	Part #	Change No	Description	Usage Code	QTY
1	****		'See Remark' <i>Air compressor, Refer to frame U7-3-1</i>		1
2	02/910279		Kit-hub & gear auxiliary drive		1
3	:02/910278		Hub		1
4	:02/919995		Gear auxiliary drive		1
5	02/911063		Nut		1
6	02/910275		O Ring		1

7	02/911064		Stud		2
8	02/911061		Nut		2
9	02/910430		Bracket compressor support		1
10	02/911062		Screw		2
11	02/911027		Bolt M8x35		2
12	02/910454		Spacer		2



9802/6660 U1-6-3 TIMING CASE AUXILIARY DRIVE



291241

Item	Part #	Change No	Description	Usage Code	QTY
1	****		'See Remark' <i>Air compressor, Refer to frame U7-3-1</i>		1
2	02/910279		Kit-hub & gear auxiliary drive		1
3	:02/910278		Hub		1
4	:02/919995		Gear auxiliary drive		1
5	02/911063		Nut		1
6	02/910275		O Ring		1

Thank you so much for reading.
Please click the “Buy Now!”
button below to download the
complete manual.



After you pay.

You can download the most
perfect and complete manual in
the world immediately.

Our support email:

ebooklibonline@outlook.com