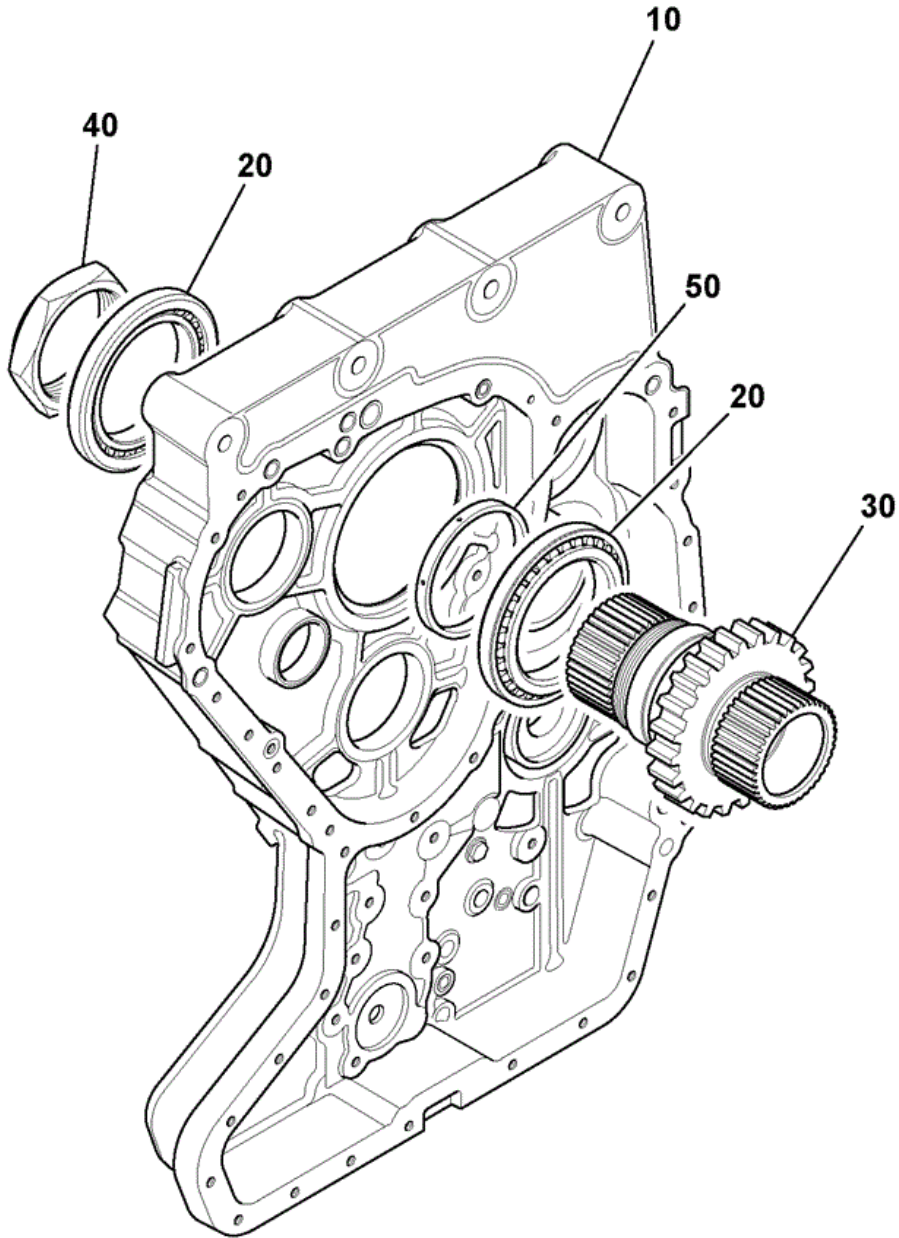




## 9822/0420 F690-120-1 OTHER PS/AS/CVT PARTS

### INTERMEDIATE CASING

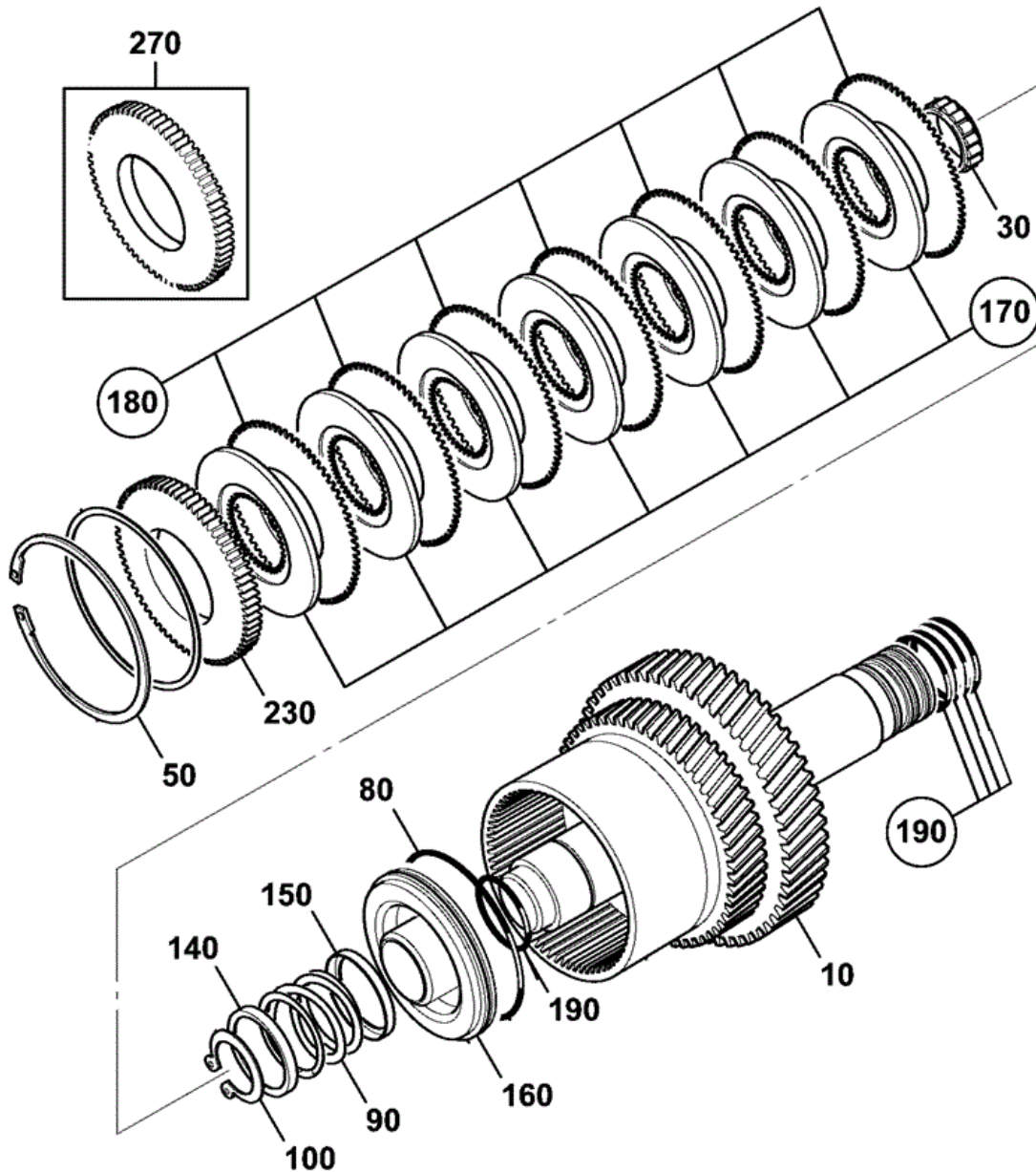


459-10272-1

Item	Part #	Change No	Description	Usage Code	QTY
10	459/30472		Casing Intermediate		1

20	907/20043		Bearing Taper Roller		2
30	459/M2894		Gear main		1
40	826/11420		Nut Stake		1
50	921/10096		Kit Spacer Graded		1

**JCB** 9822/0420 F690-130-1 OTHER PS/AS/CVT PARTS CLUTCH  
OUTPUT



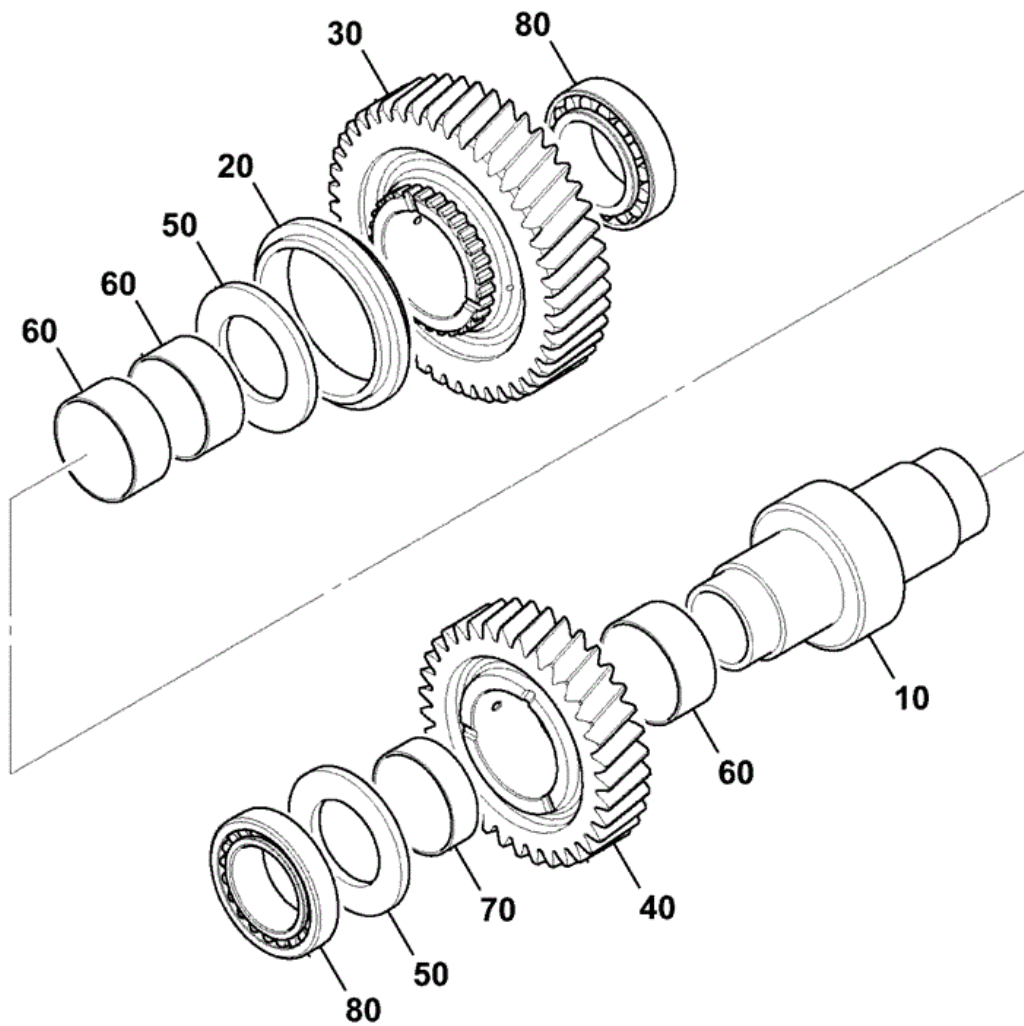
459-M5224-2

Item	Part #	Change No	Description	Usage Code	QTY
10	459/M2868		Shaft output		1

30	917/52800		Bearing parallel roller		1
50	821/M8880		Circlip 150 MM		1
80	828/10181		O Ring 130mm I/D		1
90	814/00297		Spring Compression		1
100	821/00523		Circlip		1
140	445/12304		Retainer spring		1
150	445/12305		Baffle Plate, Oil		1
160	459/10271		Piston Assembly		1
170	331/M2311		Clutch Plate Friction		7
180	331/M2312		Clutch Plate Counter		7
190	828/00224		O Ring 39.7mm I/D X 3.53mm		4
230	331/M2325		Plate Pressure 4.5mm		0
270	331/M2324		Plate Pressure 5.0mm		0



# 9822/0420 F690-135-1 OTHER PS/AS/CVT PARTS CLUTCH OUTPUT



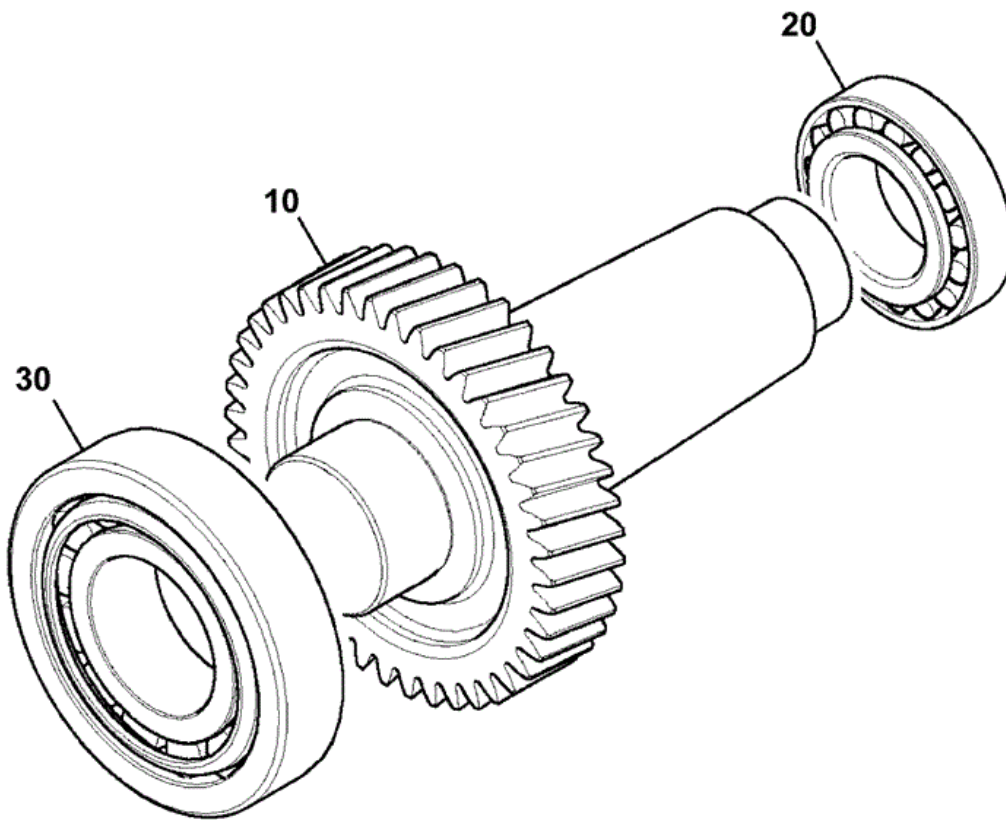
459-M5232-1

Item	Part #	Change No	Description	Usage Code	QTY
10	459/50817		Shaft Output PTO		1

20	459/50816		Sleeve Sliding PTO	1
30	459/50885		Gear 43T	1
40	459/M3995		Gear 34 teeth, high speed	1
50	823/10709		Washer Thrust	2
60	917/10023		Bearing Needle	3
70	917/10024		Bearing Needle	1
80	907/20037		Bearing 55 X 90 X 23	2



# 9822/0420 F690-140-1 OTHER PS/AS/CVT PARTS SHAFT ASSEMBLY IDLER



459-10293-1

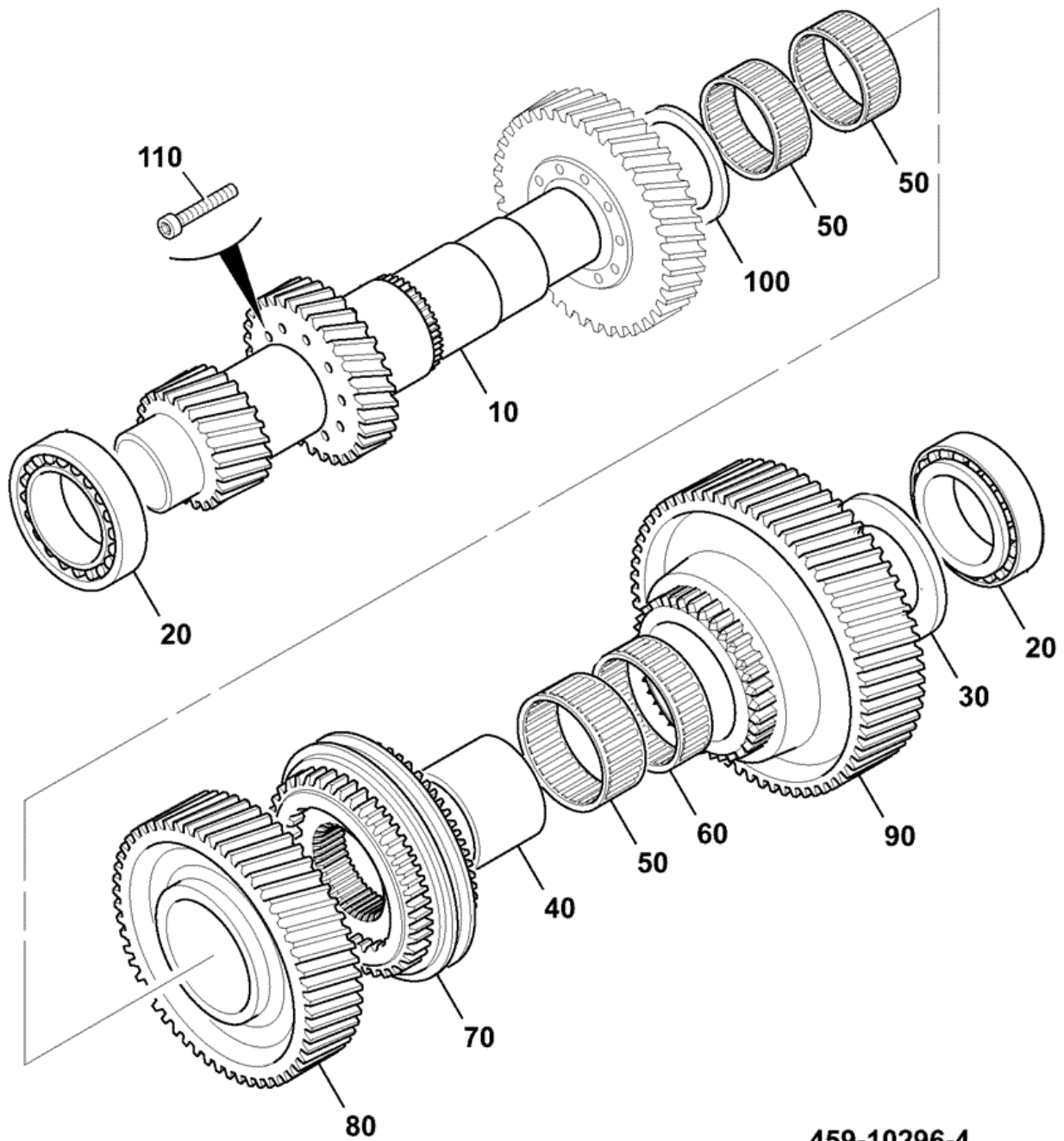
Item	Part #	Change No	Description	Usage Code	QTY
10	459/50850		Gear Idler 30T		1

20	907/20031		Bearing Taper Roll 35 x 65 x 18		1
30	907/20117		Bearing Taper		1





# 9822/0420 F690-145-1 OTHER PS/AS/CVT PARTS SHAFT ASSEMBLY OUTPUT



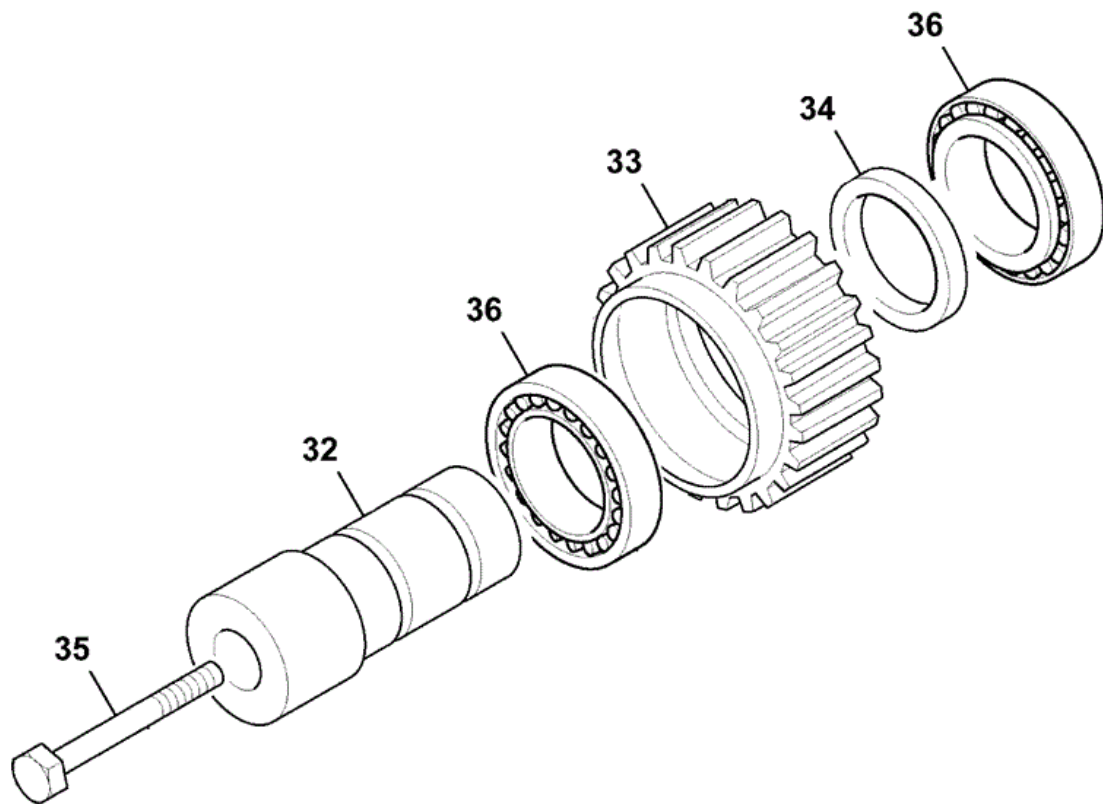
459-10296-4

Item	Part #	Change No	Description	Usage Code	QTY
10	459/M2712		Shaft 35T		1

20	907/20066		Bearing Taper Roller		2
30	823/10717		Washer Thrust		1
40	831/10384		Ring Inner		1
50	917/10022		Bearing Needle		3
60	917/10021		Bearing Needle		1
70	459/M4029		Synchroniser		1
80	459/M0835		Gear 52T		1
90	459/50825		Gear 59T		1
100	823/10718		Washer Thrust		1
110	1392/3517		Capscrew M12		10



# 9822/0420 F690-150-1 OTHER PS/AS/CVT PARTS IDLER SHAFT



**459-50810-1**

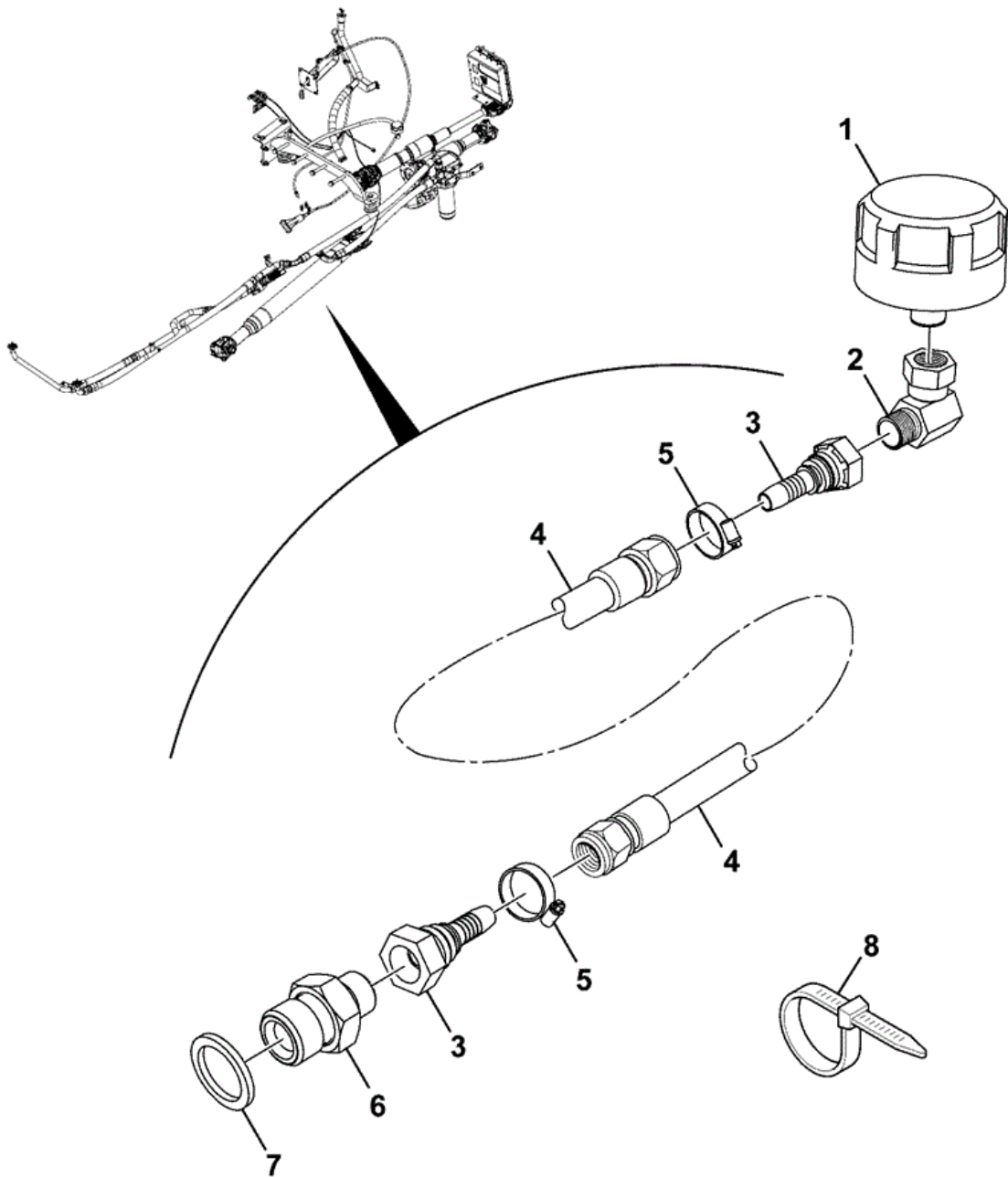
Item	Part #	Change No	Description	Usage Code	QTY
32	459/50810		Shaft Idler		1

33	459/50802		Gear Idler 37T		1
34	921/10090		Kit Spacer		1
35	1391/3420		Screw cap M10 x 100		1
36	907/20096		Bearing Taper		2



# 9822/0420 F690-155-1 OTHER PS/AS/CVT PARTS

## BREATHER

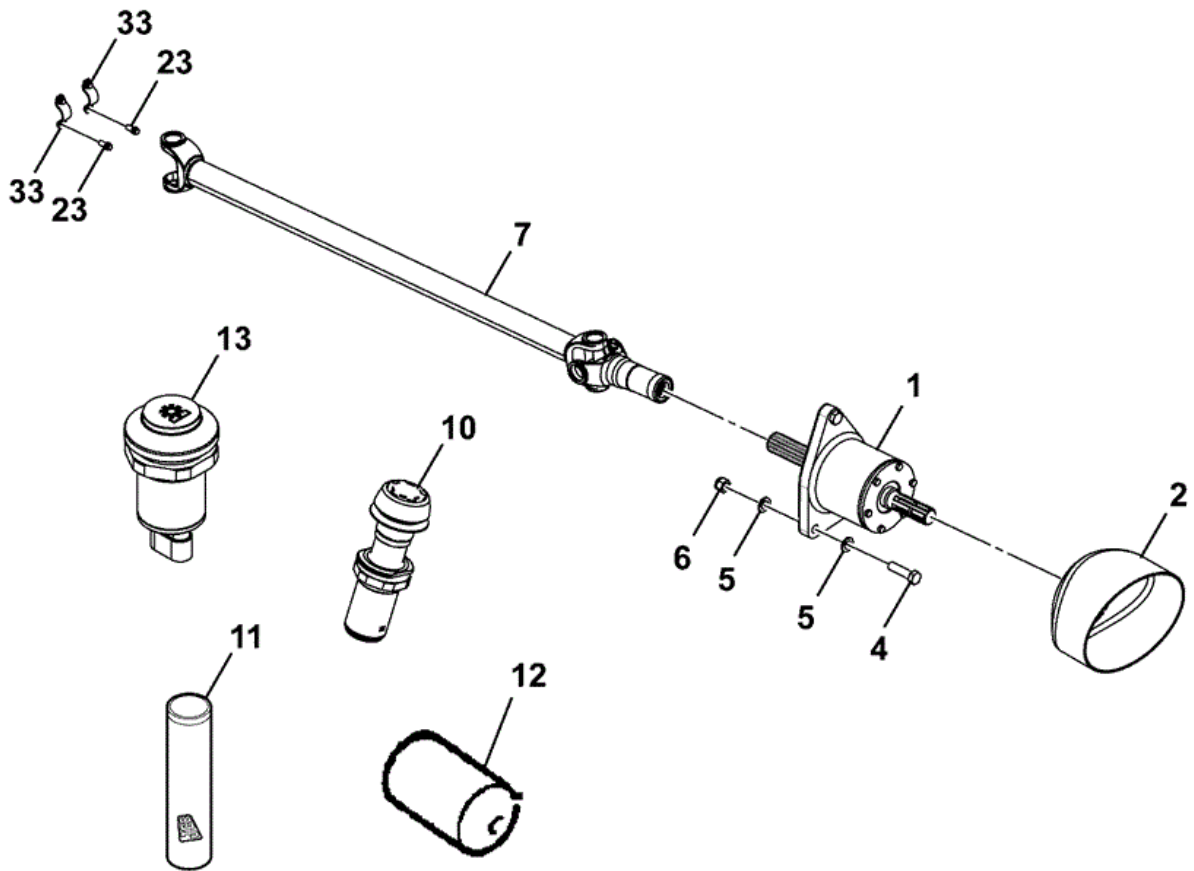


334-P2245-1

Item	Part #	Change No	Description	Usage Code	QTY
1	476/31301		Breather		1

2	816/40006		Adapter 90 Deg		1
3	893/90220		Adapter firtree 3/8"BSP x 1/2"BSP		2
4	333/S7680		Hose		1
5	2201/0003		Clip Jubilee		2
6	1606/0007		Adapter		1
7	1406/0018		Washer Bonded (1/2" BSP)		1
8	121/77603		Tie Cable 300mm		1

**JCB** 9822/0420 F700-1-1 BEVEL / PTO / TRANSFER GEARBOX  
 INSTALLATION ASSEMBLIES FRONT SINGLE



333-T1250-3

Item	Part #	Change No	Description	Usage Code	QTY
1	332/P3274		Gearbox Single PTO		1

Thank you so much for reading.  
Please click the “Buy Now!”  
button below to download the  
complete manual.



After you pay.

You can download the most  
perfect and complete manual in  
the world immediately.

Our support email:

[ebooklibonline@outlook.com](mailto:ebooklibonline@outlook.com)