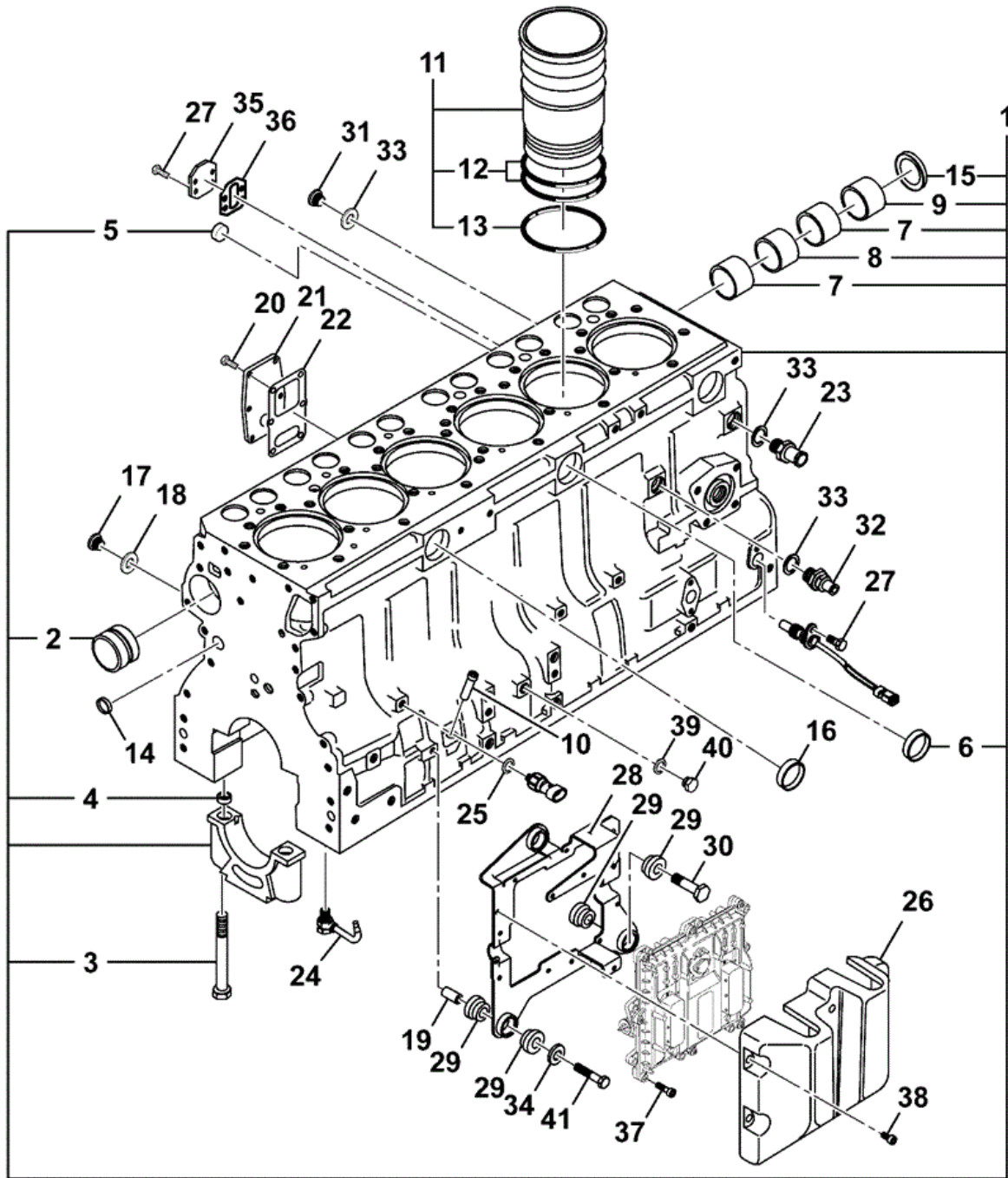


JCB 9822/0855 V100-1-1 ENGINE ASSEMBLIES COMPLETE
CYLINDER BLOCK



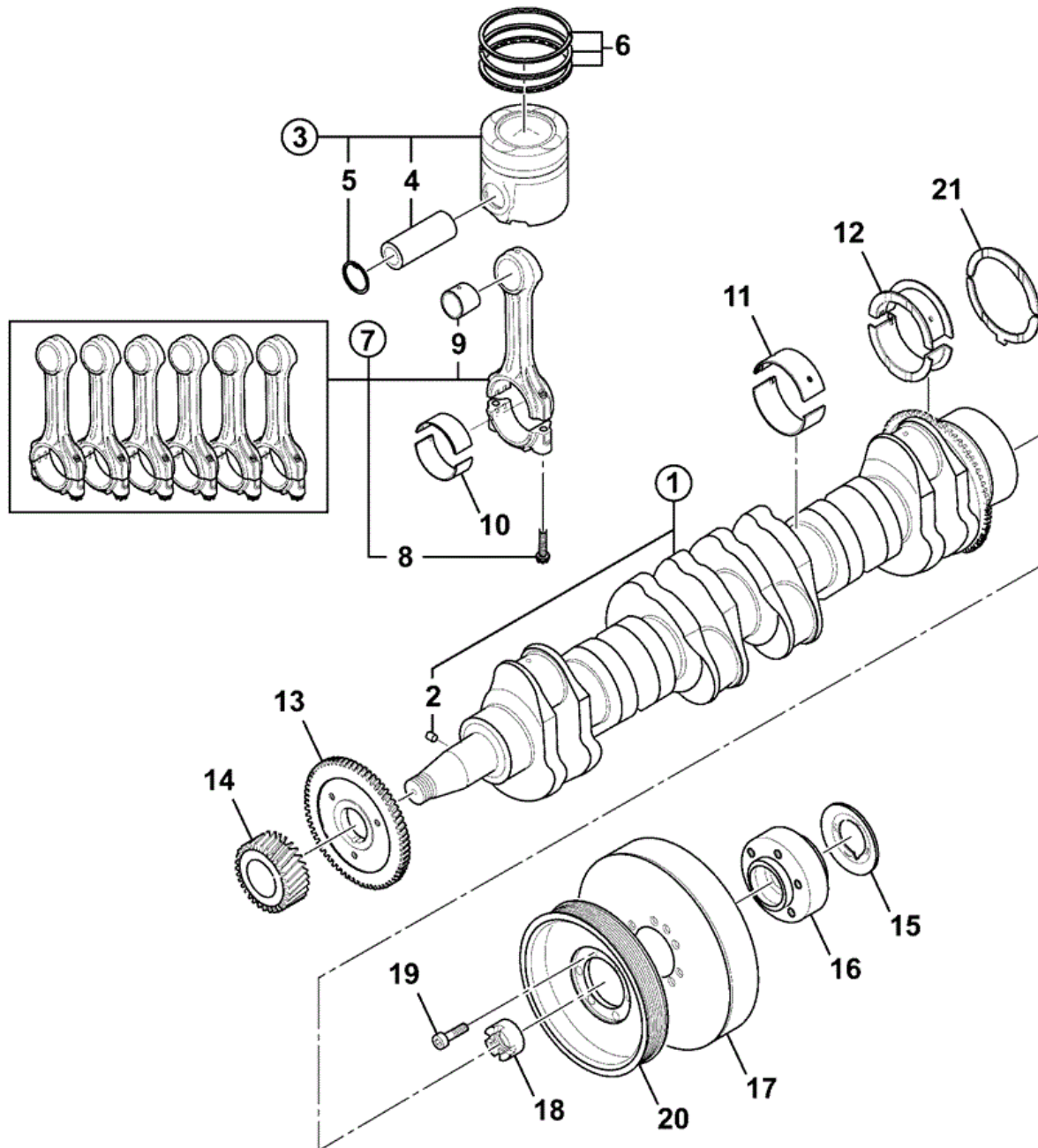
13-13080

Item	Part #	Change No	Description	Usage Code	QTY
1	334/C0443		Block cylinder <i>Includes items 2 to 9</i>		1

2	:02/950001		Bush	1
3	:332/L8788		Screw	14
4	:02/950002		Sleeve guide	24
5	:02/950009		Plug	1
6	:02/950017		Plug	1
7	:02/950322		Bush	2
8	:02/950323		Bush	1
9	:02/950324		Bush	1
10	332/L8789		Plug Cup	1
11	332/G5662		Liner Cylinder <i>Includes items 12 and 13</i>	6
12	:02/950006		O Ring	12
13	:02/950005		O Ring	6
14	02/950007		Plug	5
15	02/950325		Plug	1
16	02/950017		Plug	2
17	02/950010		Plug	6
18	332/L9314		Seal ring	6
19	334/C0445		Sleeve .	1
20	02/950182		Screw M8x20	6
21	333/E2218		Cover	1
22	02/950327		Gasket	1
23	02/950025		Connector	1
24	333/D8667		Piston oil cooler	6
25	333/E2219		O Ring seal	1
26	334/C0446		Cover ECU	1
27	02/950053		Screw M8x16	5
28	334/C0449		Bracket .	1
29	334/C0453		Bush rubber	6
30	332/L8803		Screw	1
31	02/950013		Plug	1
32	02/950023		Adapter	1
33	02/950020		Seal ring	3
34	02/950466		Washer	2
35	332/L8808		Cover	1
36	332/L8809		Gasket	1
37	334/C0451		Screw	8
38	332/L8805		Screw	6
39	02/950021		Washer sealing	1
40	02/950022		Plug	1
41	334/C0452		Screw .	2



9822/0855 V130-1-1 CRANKSHAFT PISTON AND CON RODS

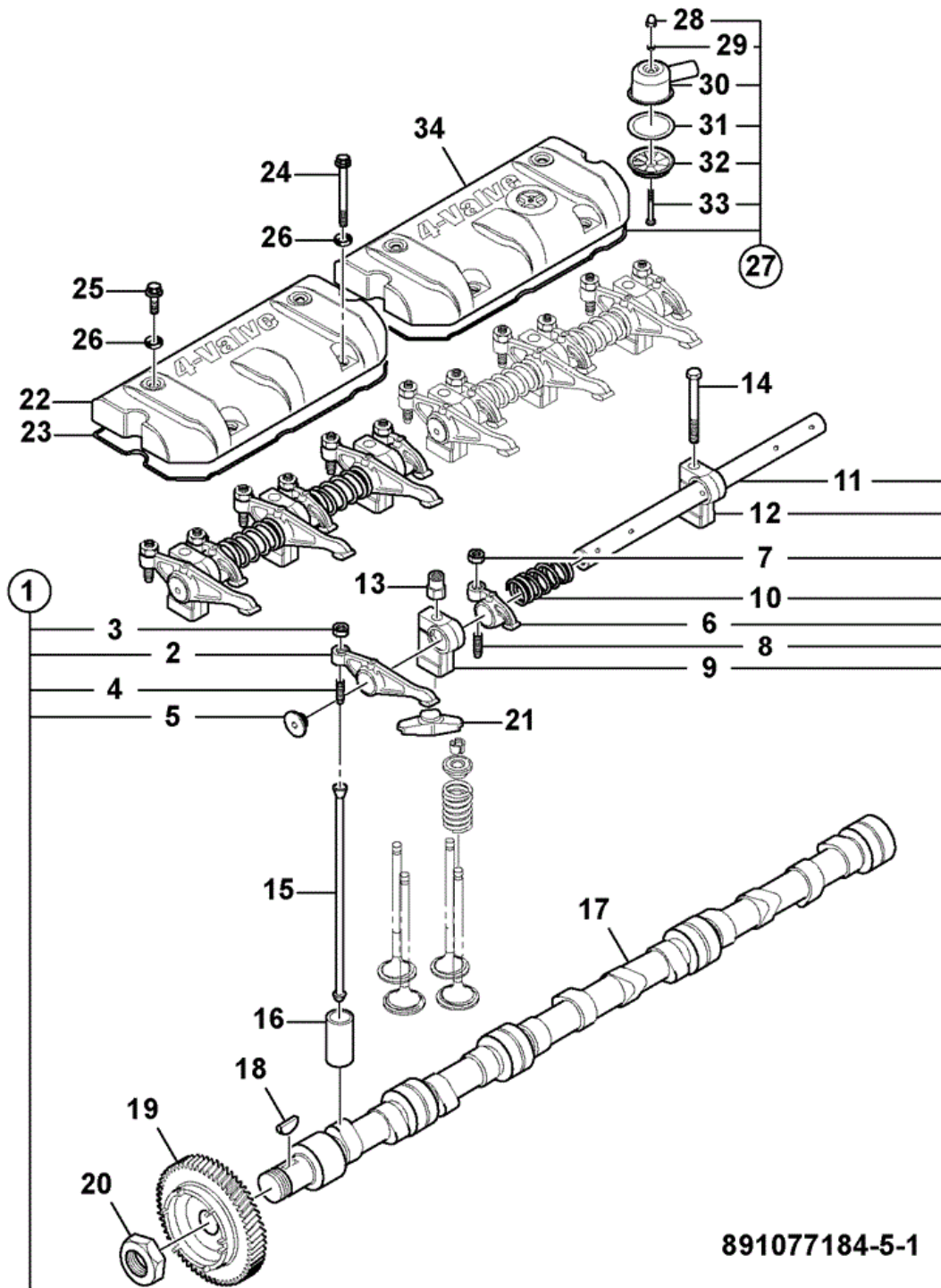


13-13110

Item	Part #	Change No	Description	Usage Code	QTY
1	335/A0731		Crankshaft <i>Includes item 2</i>		1
2	:332/L8759		Key		1

3	335/A0732	Piston <i>Includes items 4 & 5</i>	6
4	****	None serviced part	6
5	****	None serviced part	12
6	333/E2229	Piston Ring set	6
7	02/950129	Kit-conrod <i>Includes items 8 & 9</i>	1
8	:02/950073	Screw	12
9	:02/950074	Bush small-end	6
10	334/C0501	Bearing big end std	6
10.1	334/C0671	Bearing big end -0.25mm	6
10.2	334/C0672	Bearing big end -0.50mm	6
10.3	334/C0673	Bearing big end -1.00mm	6
10.4	334/C0674	Bearing big end -1.50mm	6
11	332/G5379	Bearing main standard <i>Positions 1 to 6</i>	6
11.1	332/G5698	Bearing Main -0.25mm x 7 pairs <i>Positions 1 to 7</i>	7
11.2	332/G5699	Bearing Main -0.50mm x 7 Pairs <i>Positions 1 to 7</i>	7
11.3	332/G5700	Bearing Main -1.00mm x 7 Pairs <i>Positions 1 to 7</i>	7
11.4	332/G5701	Bearing Main -1.50mm x 7 Pairs <i>Positions 1 to 7</i>	7
12	332/G5732	Bearing Main standard <i>Position 7 for use with item 11</i>	1
13	333/E2233	Gear	1
14	332/L8761	Gear	1
15	332/L8776	Ring	1
16	334/C0502	Hub .	1
17	333/E2358	Damper vibration	1
18	02/950338	Nut	1
19	02/950065	Screw	6
20	333/E2360	Pulley belt	1
21	332/G5705	Washer Thrust -0.1mm <i>Flat type for use with item 11.1 to 11.4</i>	1
21.1	333/C3676	Washer thrust -0,2 mm <i>Flat type for use with item 11.1 to 11.4</i>	1

JCB 9822/0855 V150-1-1 CAMSHAFT ROCKER SHAFT AND COVER

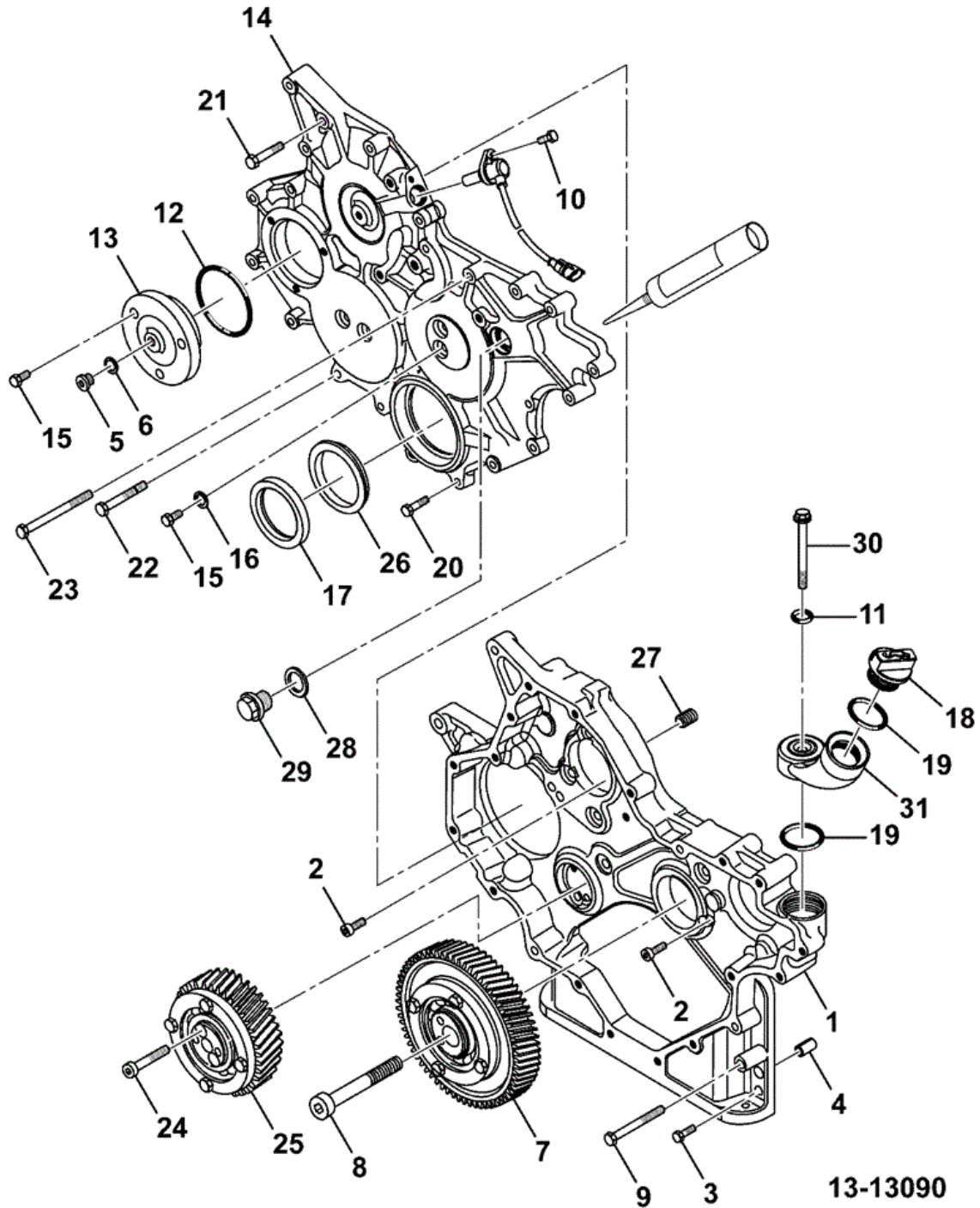


Item	Part #	Change No	Description	Usage Code	QTY
1	332/L8883		Valve Mechanism		2

2	:332/L8884		Valve lever	6
3	::02/950087		Nut	6
4	::332/G5735		Screw Adjuster	6
5	:332/G5733		Plug End	4
6	:332/L8885		Valve lever	6
7	::02/950087		Nut	6
8	::332/G5735		Screw Adjuster	6
9	:332/L8886		Bracket	4
10	:332/L8887		Spring	4
11	:332/L8888		Shaft	2
12	:332/L8889		Bracket	2
13	02/950094		Nut	4
14	02/950343		Screw M10x80	2
15	334/D1241		Rod Push rod	12
16	02/950096		Tappet	12
17	332/L8891		Cam Shaft	1
18	02/950097		Key	1
19	332/L8892		Gear	1
20	332/L8897		Nut	1
21	332/L8893		Connecting part	12
22	335/A0733		Cover Rocker valve	1
23	332/L8913		Gasket	1
24	332/L8896		Screw	4
25	332/G5678		Bolt M10 x 20	4
26	332/G5684		O Ring .	8
27	335/A0734		Cover Valve Rocker	1
28	:332/G5672		Nut .	1
29	:332/G5690		Washer Seal	1
30	:332/G5719		Breather .	1
31	:332/G5689		Gasket .	1
32	:332/L8899		Cup	1
33	:332/L8900		Screw	1
34	332/L8913		Gasket	1



9822/0855 V160-1-1 TIMING CASE ASSEMBLY



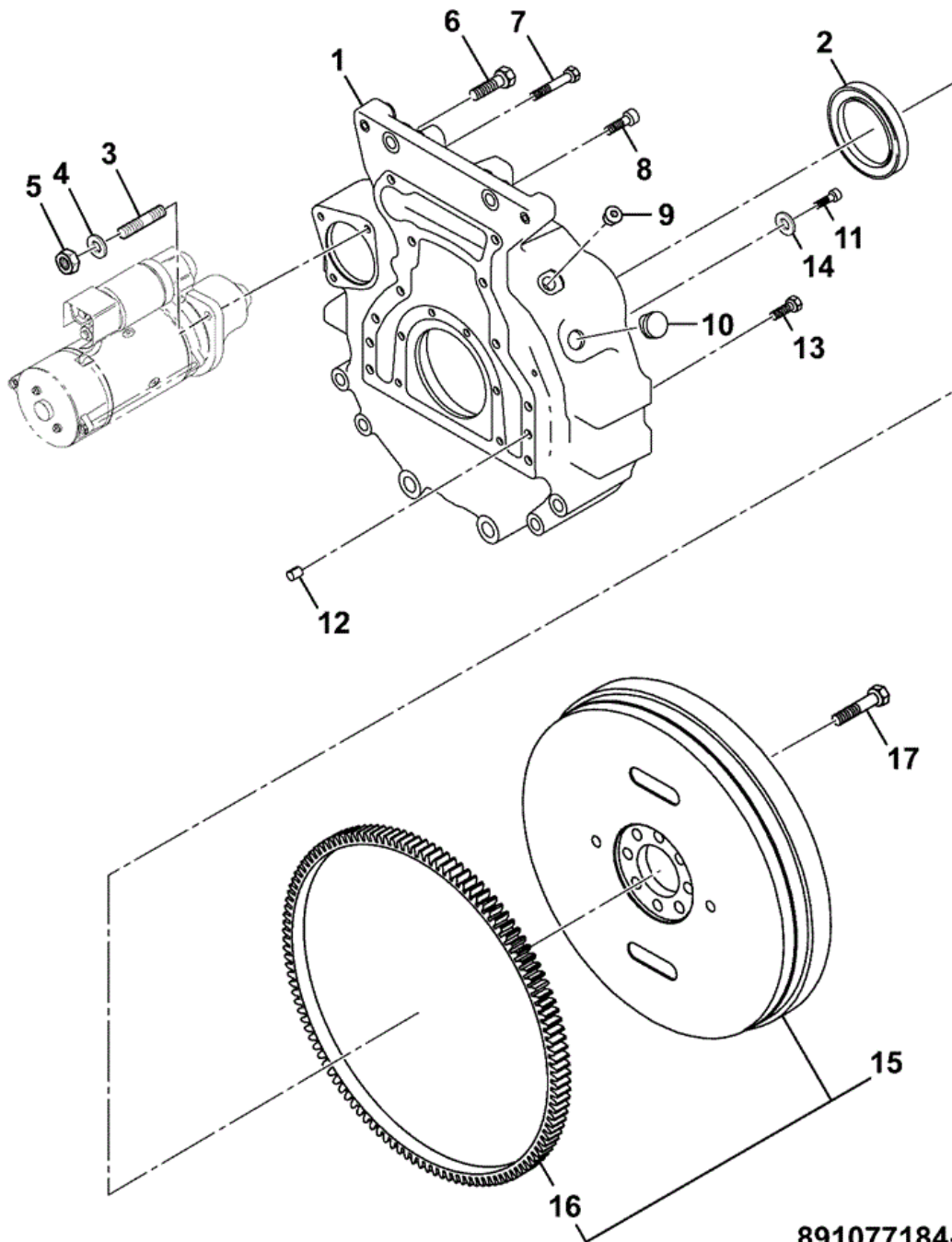
13-13090

Item	Part #	Change No	Description	Usage Code	QTY
1	334/C0494		Case timing		1
2	02/950225		Screw M8x20		11
3	333/H8015		Screw Screw		3

4	02/950029		Pin	2
5	02/950010		Plug	1
6	332/L9314		Seal ring	1
7	332/L8866		Gear	1
8	332/L8867		Screw	1
9	02/950048		Screw M8x60	1
10	332/L8869		Screw	1
11	332/G5684		O Ring .	1
12	332/L8871		O Ring	1
13	332/L8872		Cover	1
14	334/C0495		Cover front	1
15	332/L8968		Screw	7
16	332/L8874		Seal ring	4
17	332/L8875		Seal oil	1
18	334/C0496		Cap .	1
19	332/L8877		O Ring	2
20	02/950243		Screw M8x30	4
21	02/950031		Screw	12
22	02/950364		Screw M8x80	2
23	332/L8878		Screw	1
24	332/L8879		Screw	2
25	332/L8880		Gear	1
26	332/L8881		Shield plate	1
27	332/L8882		Screw	1
28	02/950244		Washer sealing	1
29	02/950245		Plug	1
30	332/L8896		Screw	1
31	334/C0498		Pipe .	1



9822/0855 V180-1-1 FLYWHEEL & HOUSING



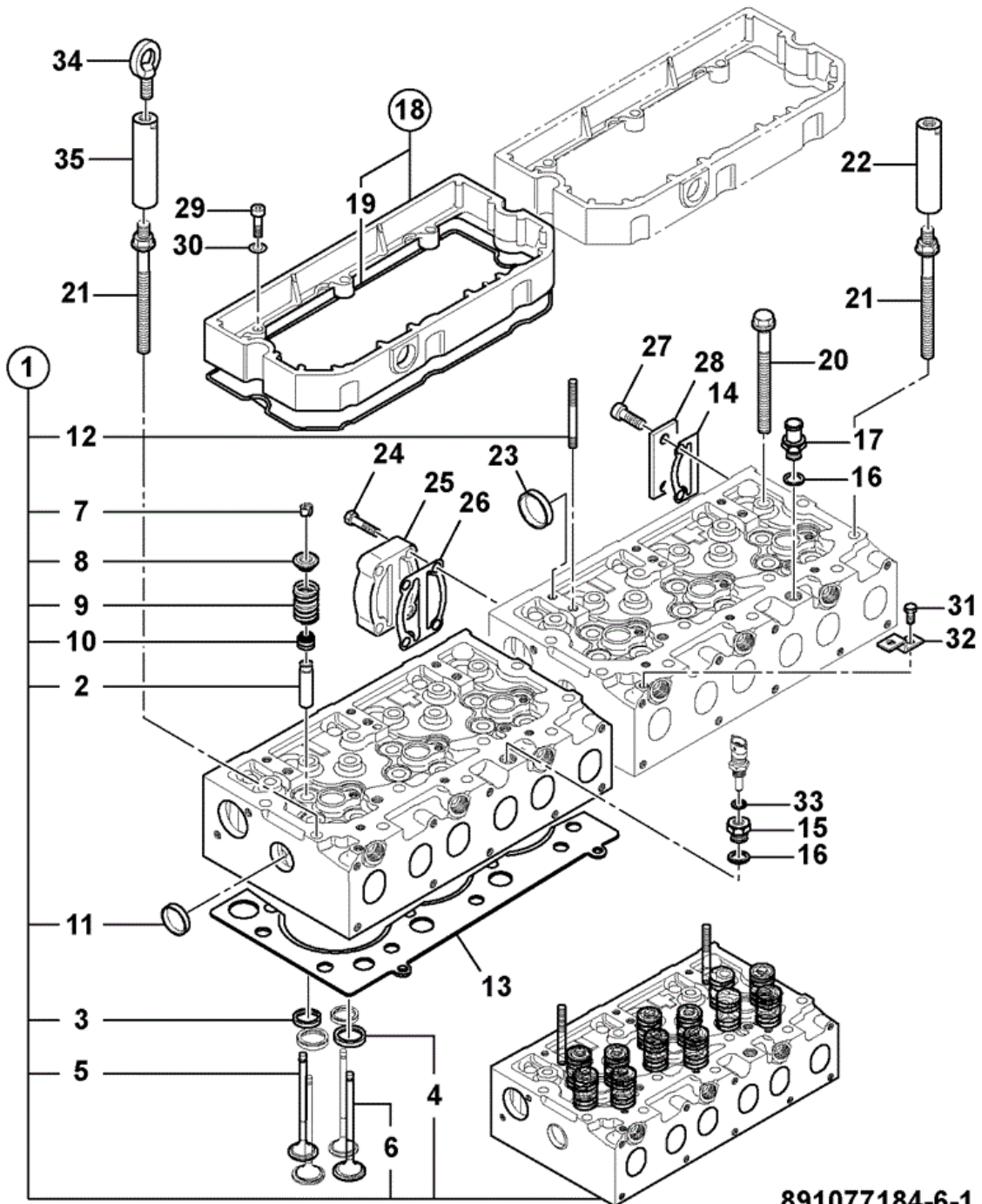
891077184-3

Item	Part #	Change No	Description	Usage Code	QTY
1	335/A0726		Housing Flywheel		1
2	334/C0499		Seal oil		1
3	332/L8753		Stud		3

4	02/950058		Washer	3
5	02/950057		Nut M10	3
6	335/A0727		Screw Hex Cap	2
7	335/A0728		Screw Hex cap	2
8	02/950063		Screw M12x35	2
9	02/950013		Plug	1
10	335/A0729		Plug Rubber	1
11	02/950061		Screw M10x30	6
12	02/950029		Pin	2
13	332/L2771		Screw	6
14	02/950068		Washer	8
15	335/A0730		Flywheel	1
16	:02/950062		Gear starter ring	1
17	02/950065		Screw	8



9822/0855 V210-1-1 CYLINDER HEAD ASSEMBLY

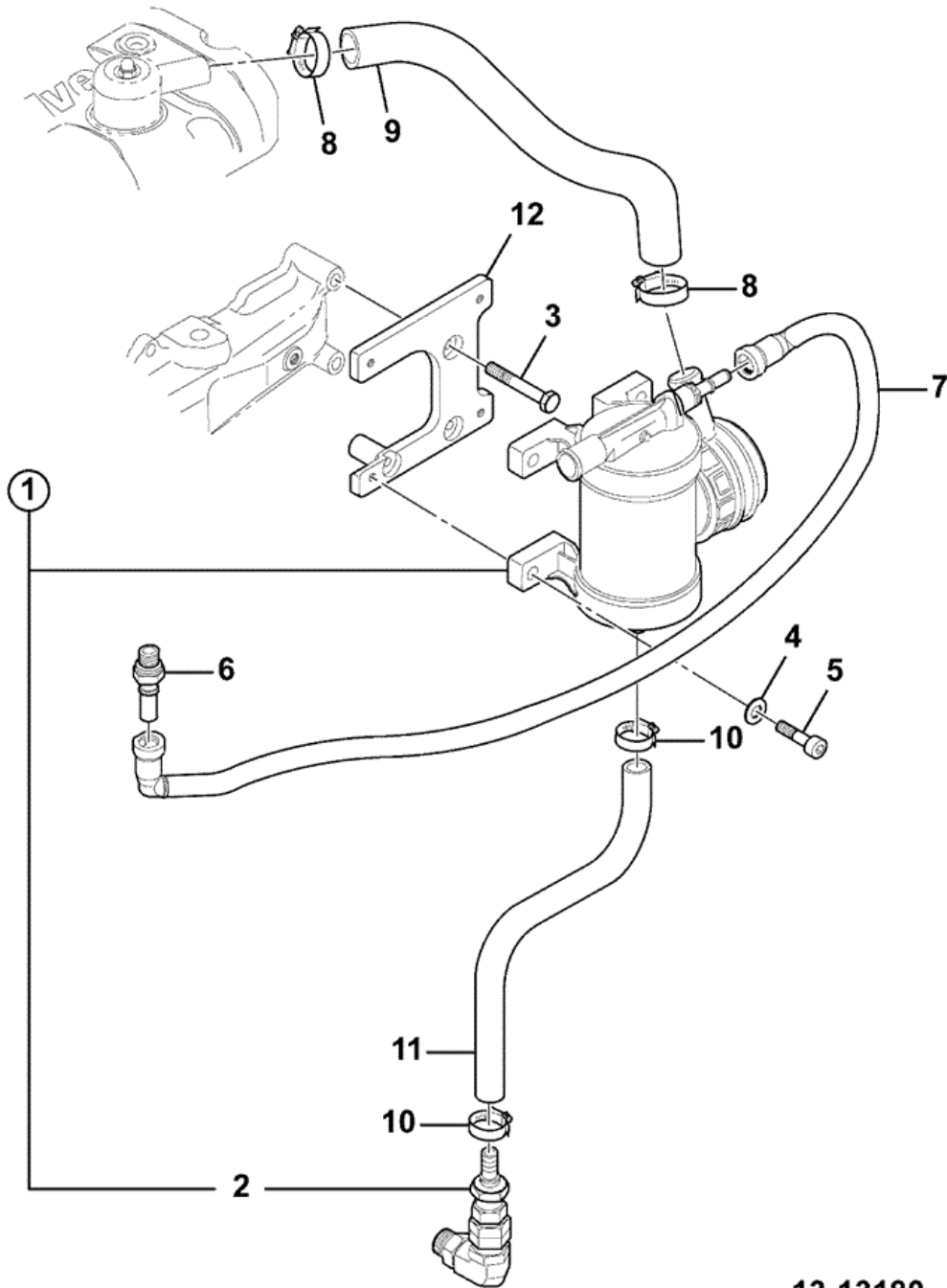


891077184-6-1

Item	Part #	Change No	Description	Usage Code	QTY
1	332/L8901		Cylinder Head <i>Includes items 2 to 12</i>		2
2	:332/L8902		Valve guide		24

3	:332/L8903		Valve seat	12
4	:332/L8904		Valve seat	12
5	:332/L8905		Exhaust Valve	12
6	:332/L8906		Valve Intake	12
7	:332/L8907		Valve cotter	48
8	:332/L8908		Spring Plate	24
9	:332/L8909		Spring	24
10	:332/L8910		Rubber Seal	24
11	:02/950108		Plug	8
12	:02/950117		Stud M10x75	4
13	334/D1242		Gasket Gasket	2
14	02/950348		Gasket	2
15	332/L8911		Nipple - Threaded	1
16	02/950014		Washer sealing	2
17	02/950025		Connector	1
18	334/C0505		Frame . <i>Includes item19</i>	2
19	:332/L8913		Gasket	2
20	332/G5736		Bolt .	32
21	333/E2236		Screw	2
22	332/L8917		Nut	2
23	02/950347		Plug	1
24	333/E2237		Screw	4
25	02/950345		Connector	1
26	02/950346		Gasket	1
27	02/950229		Screw M10x25	4
28	02/950353		Plate cover	1
29	332/L8914		Screw	6
30	02/950173		Washer	6
31	332/L8915		Screw	1
32	02/950206		Bracket	1
33	02/950238		Washer sealing	1
34	332/L8916		Band	4
35	335/A0735		Eye-end	1

JCB 9822/0855 V260-1-1 CCV FILTER CRANKCASE
VENTILATION

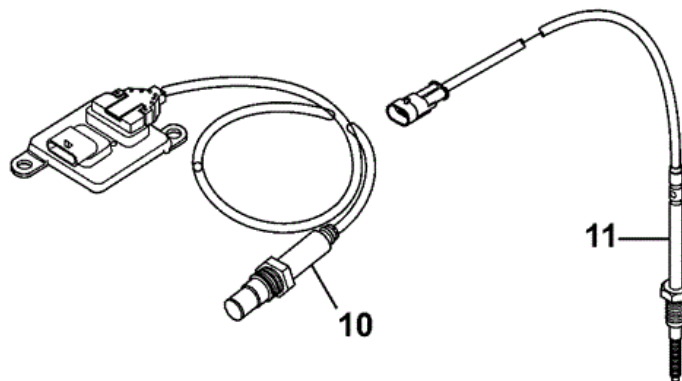
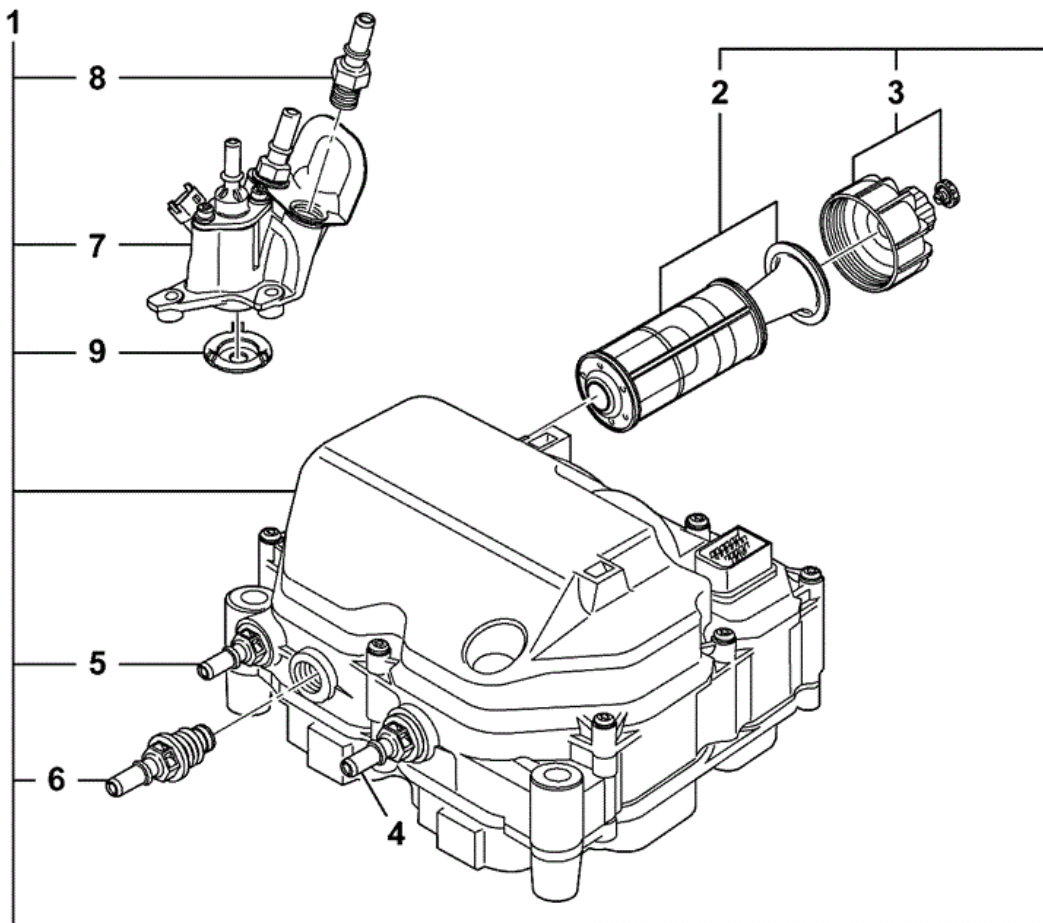


13-13180

Item	Part #	Change No	Description	Usage Code	QTY
1	335/A0765		Filter CCV		1

2	:334/C0545		Valve .	1
3	02/950051		Screw M8x65	3
4	02/950253		Washer	4
5	332/L8914		Screw	4
6	333/E2389		Coupling	1
7	334/C0546		Hose .	1
8	332/G5742		Clamp .	2
9	333/E2391		Hose	1
10	02/950154		Clamp	2
11	333/E2392		Hose	1
12	333/E2393		Bracket support	1

JCB 9822/0855 V300-1-1 INDUCTION AND EXHUST SYSTEMS
EXHAUST AFTERTREATMENT



13-13250

Item	Part #	Change No	Description	Usage Code	QTY
1	334/C0646		Unit supply <i>Includes items 2 to 9</i>		1

Thank you so much for reading.
Please click the “Buy Now!”
button below to download the
complete manual.



After you pay.

You can download the most
perfect and complete manual in
the world immediately.

Our support email:

ebooklibonline@outlook.com