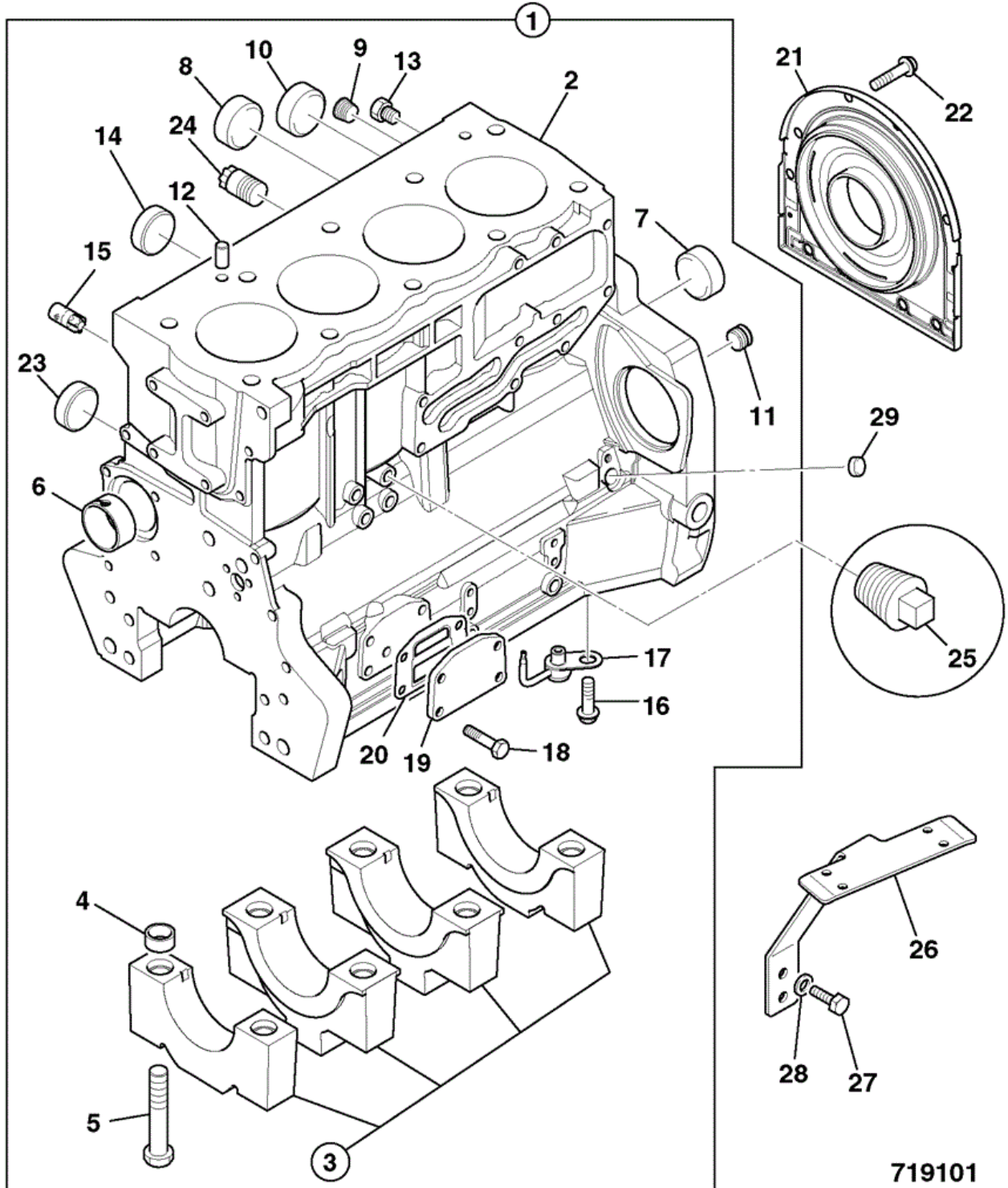




9802/7040 R1-3-1 BLOCK ASSEMBLY RE BUILD

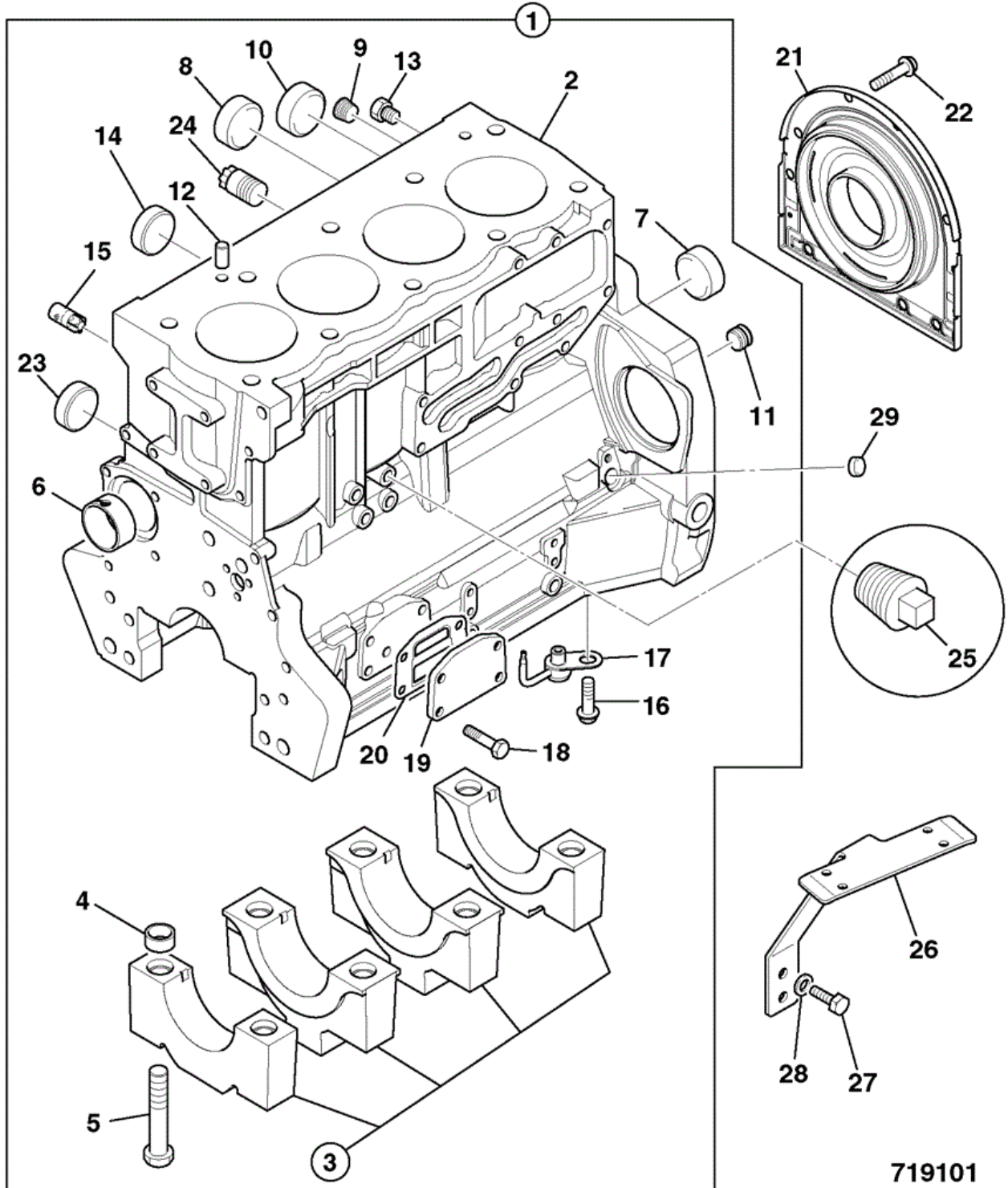


719101

Item	Part #	Change No	Description	Usage Code	QTY
1	02/202900		Block cylinder assembly		1
2	****		None serviced part		1

3	****		None serviced part	1
4	:02/100101		Thimble	10
5	:02/100102		Bolt	10
6	:02/202901		Bush camshaft	1
7	:02/202902		Plug	1
8	:02/202903		Plug	2
9	:02/100134		Plug	1
10	:02/100396		Plug core D=32mm	1
11	:02/202904		Plug	1
12	:02/201818		Dowel	2
13	:02/202905		Plug	2
14	:02/202906		Plug	1
15	02/202907		Plug	1
16	:02/291178		Screw	4
17	:02/202908		Jet piston cooling	4
18	:02/291032		Bolt M8 x 20mm	4
19	:02/202909		Plate blanking	1
20	:02/202931		Gasket oil filter head to cyl/block	1
21	02/202935		Housing & rear oil seal assembly	1
22	826/10721		Bolt torx head drive	10
23	02/202961		Plug	1
24	02/202997		Plug	1
25	826/00765		Plug	1
26	331/32314		Bracket engine harness support	1
27	1315/0301Z		Screw Hexagon M8 X 12mm	2
28	1420/0007Z		Washer (M8)	2
29	02/202961		Plug	1

JCB 9802/7040 R1-3-2 BLOCK ASSEMBLY RG BUILD

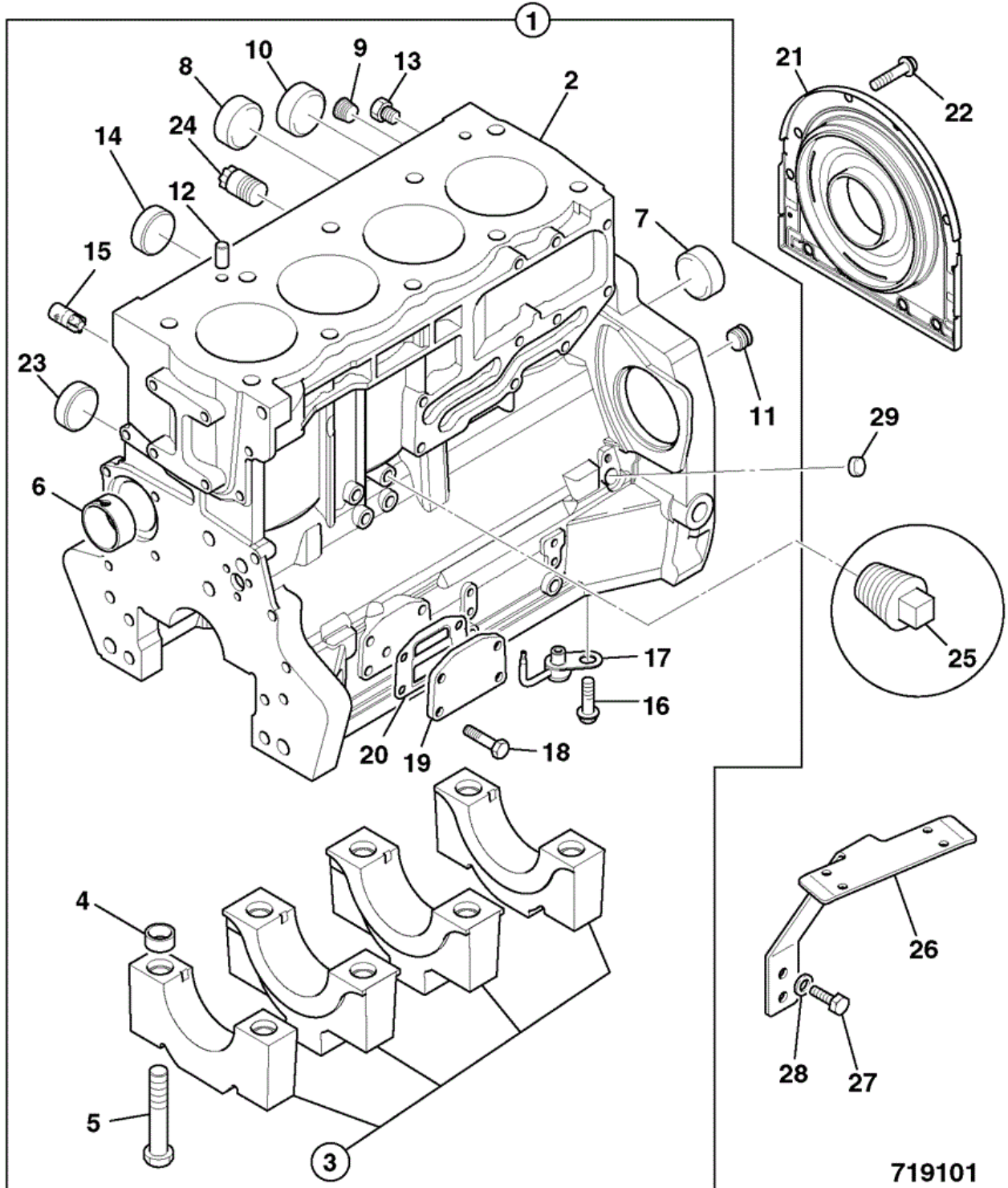


Item	Part #	Change No	Description	Usage Code	QTY
1	02/202900		Block cylinder assembly		1
2	****		None serviced part		1

3	****		None serviced part	1
4	:02/100101		Thimble	10
5	:02/100102		Bolt	10
6	:02/202901		Bush camshaft	1
7	:02/202902		Plug	1
8	:02/202903		Plug	2
9	:02/100134		Plug	1
10	:02/100396		Plug core D=32mm	1
11	:02/202904		Plug	1
12	:02/201818		Dowel	2
13	:02/202905		Plug	2
14	:02/202906		Plug	1
15	02/202907		Plug	1
16	:02/291178		Screw	4
17	:02/202908		Jet piston cooling	4
18	:02/291032		Bolt M8 x 20mm	4
19	:02/202909		Plate blanking	1
20	:02/202931		Gasket oil filter head to cyl/block	1
21	02/202935		Housing & rear oil seal assembly	1
22	826/10721		Bolt torx head drive	10
23	02/202961		Plug	1
24	02/202997		Plug	1
25	826/00765		Plug	1
26	331/32314		Bracket engine harness support	1
27	1315/0301Z		Screw Hexagon M8 X 12mm	2
28	1420/0007Z		Washer (M8)	2
29	02/202961		Plug	1



9802/7040 R1-3-3 BLOCK ASSEMBLY RJ BUILD

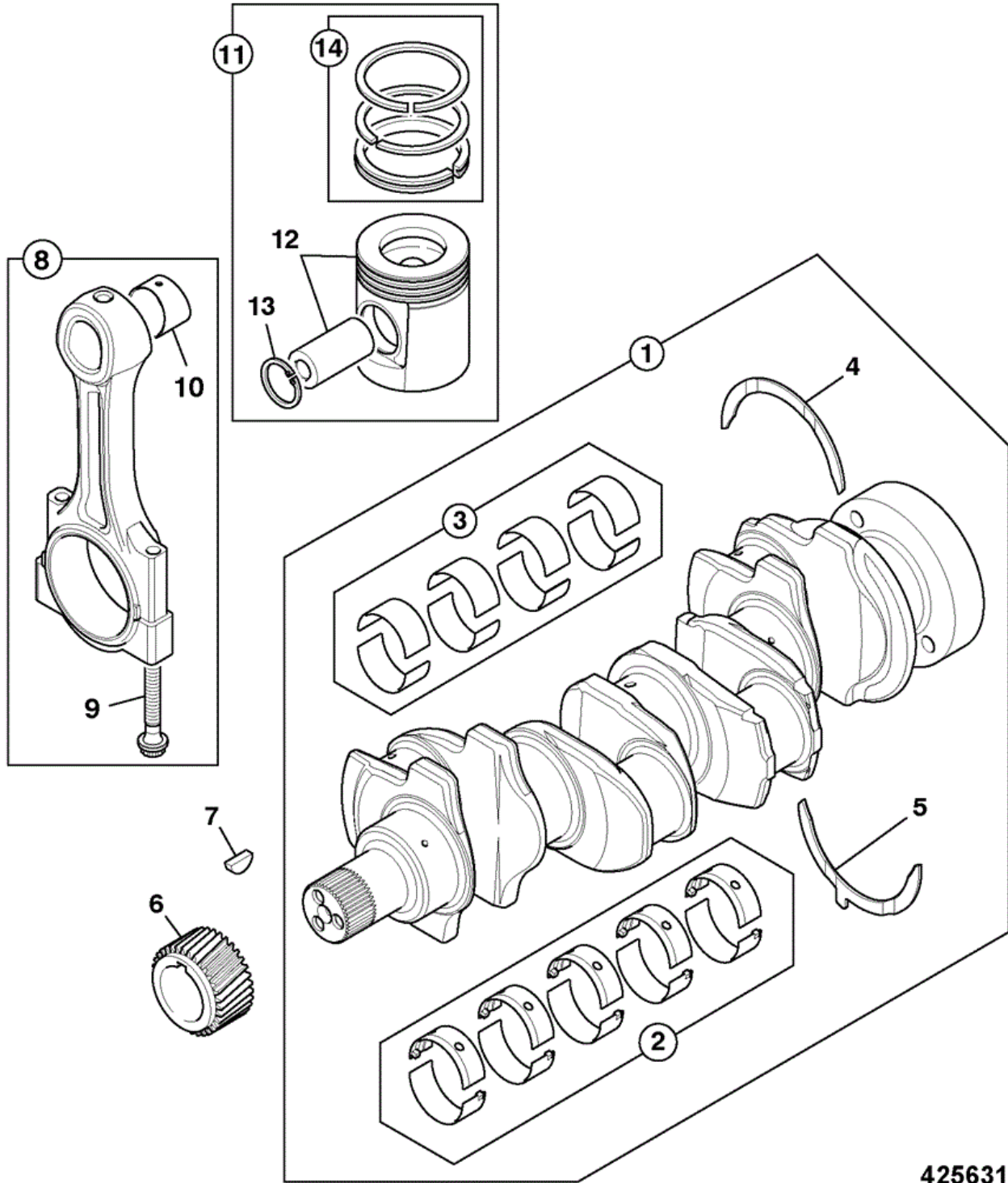


719101

Item	Part #	Change No	Description	Usage Code	QTY
1	02/202900		Block cylinder assembly		1
2	****		None serviced part		1

3	****		None serviced part	1
4	:02/100101		Thimble	10
5	:02/100102		Bolt	10
6	:02/202901		Bush camshaft	1
7	:02/202902		Plug	1
8	:02/202903		Plug	2
9	:02/100134		Plug	1
10	:02/100396		Plug core D=32mm	1
11	:02/202904		Plug	1
12	:02/201818		Dowel	2
13	:02/202905		Plug	2
14	:02/202906		Plug	1
15	02/202907		Plug	1
16	:02/291178		Screw	4
17	:02/202908		Jet piston cooling	4
18	:02/291032		Bolt M8 x 20mm	4
19	:02/202909		Plate blanking	1
20	:02/202931		Gasket oil filter head to cyl/block	1
21	02/202935		Housing & rear oil seal assembly	1
22	826/10721		Bolt torx head drive	8
23	02/202961		Plug	1
24	02/202997		Plug	1
25	826/00765		Plug	1
26	331/32314		Bracket engine harness support	1
27	1315/0301Z		Screw Hexagon M8 X 12mm	2
28	1420/0007Z		Washer (M8)	2
29	02/202961		Plug	1

JCB 9802/7040 R1-4-1 CRANKSHAFT, BEARINGS PISTONS & CON-RODS RE BUILD

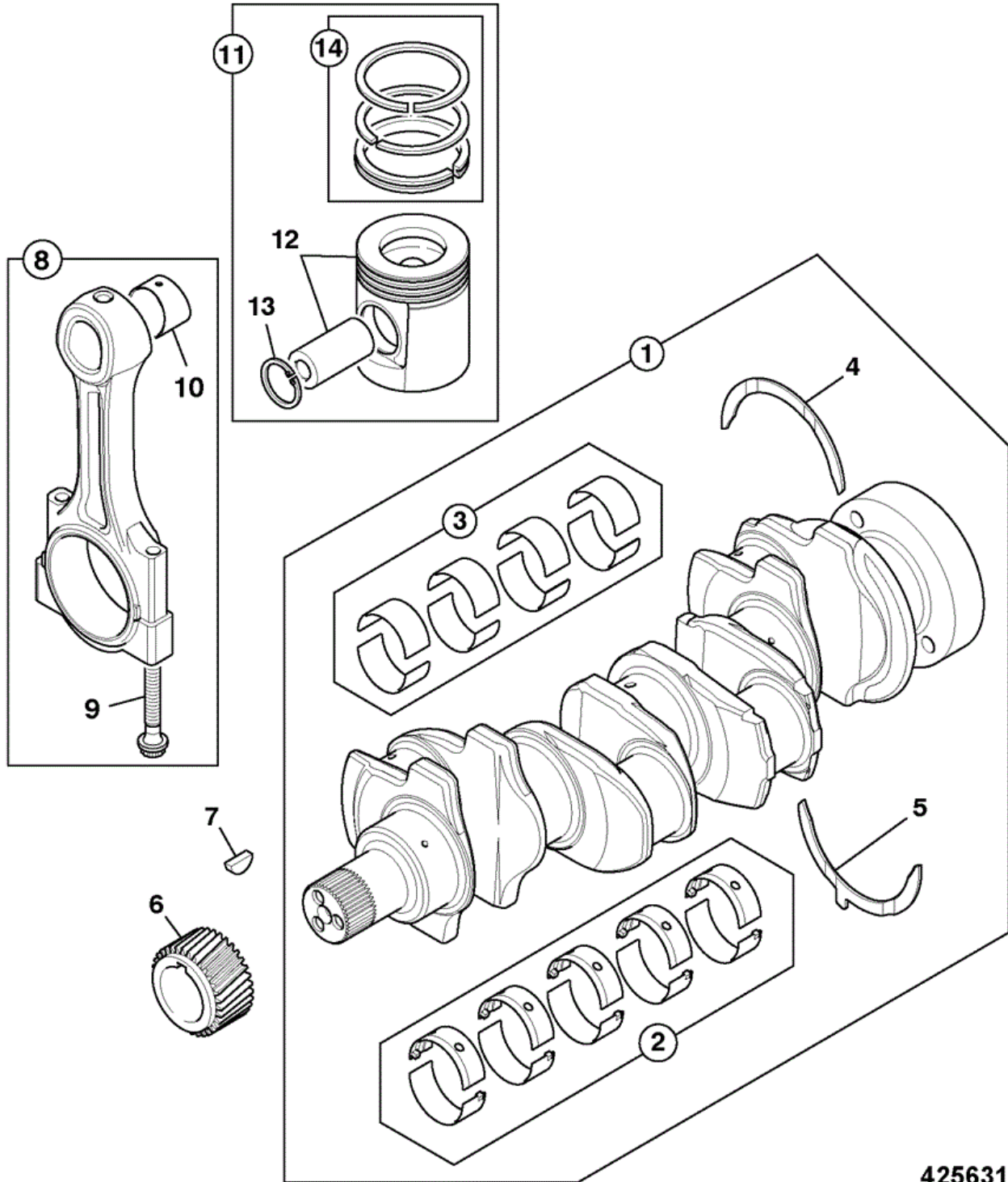


425631

Item	Part #	Change No	Description	Usage Code	QTY
1	02/203091	Superseded	Crankshaft assembly		1

1	02/202910	Crankshaft assembly	1
2	:02/202911	Kit-main bearing standard	1
2	02/202912	Kit-main bearing u/s 0.25mm	1
2	02/202913	Kit-main bearing u/s 0.50mm	1
2	02/202914	Kit-main bearing undersize (+)0.030"	1
2A	02/203172	Kit-main bearing standard oversize	0
2A	02/203173	Kit-main bearing oversize - 0.25mm	0
2A	02/203174	Kit-main bearing oversize - 0.50mm	0
2A	02/203175	Kit-main bearing oversize - 0.75mm	0
3	:02/202915	Kit-big end bearing standard	1
3	02/202916	Kit-big end bearing oversize - (+)0.010"	1
3	02/202917	Kit-big end bearing u/s 0.50mm	1
3	02/202918	Kit-big end bearing oversize - (+)0.030"	1
3A	02/203251	Kit-big end bearing Standard	0
3A	02/203252	Kit-big end bearing undersize (-)0.010"	0
3A	02/203253	Kit-big end bearing undersize (-)0.020"	0
3A	02/203254	Kit-big end bearing undersize (-)0.030"	0
4	:02/192083	Washer thrust top - standard	2
4	02/192011	Washer thrust top-oversize 0.19mm	2
5	:02/192084	Washer thrust bottom - standard	2
5	02/192013	Washer thrust btm-oversize 0.19mm	2
6	02/202919	Gear crankshaft	1
7	02/100038	Key	1
8	02/202922	Kit-conrod grade 'F' RED	4
8	02/202923	Kit-conrod grade 'G' ORANGE	4
8	02/202924	Kit-conrod grade 'H' WHITE	4
8	02/202925	Kit-conrod grade 'J' GREEN	4
8	02/202926	Kit-conrod grade 'K' PURPLE	4
8	02/202927	Kit-conrod grade 'L' BLUE	4
9	:02/202929	Bolt conrod	2
10	:02/202928	Bush small end	1
11	02/203092	Kit-piston	4
11	02/203205	Kit-piston & ring oversize 0.5mm	0
11	02/203206	Kit-piston & ring oversize 1.0mm	0
12	****	None serviced part	1
13	:02/201151	Circlip	2
14	:02/203093	Kit-piston ring	1

JCB 9802/7040 R1-4-2 CRANKSHAFT, BEARINGS PISTONS & CON-RODS RG BUILD

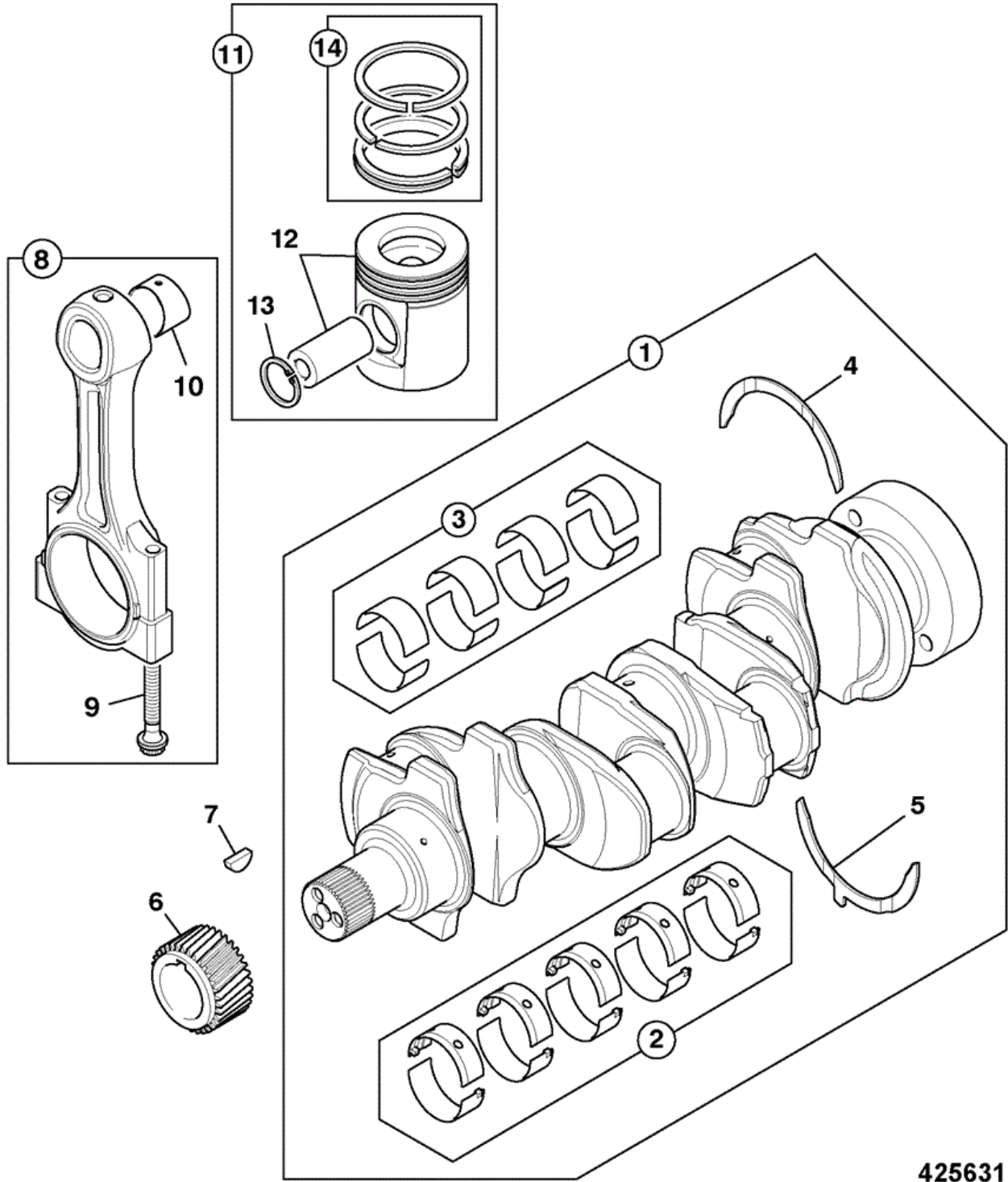


425631

Item	Part #	Change No	Description	Usage Code	QTY
1	02/202910		Crankshaft assembly		1

2	:02/202911	Kit-main bearing standard	1
2	02/202912	Kit-main bearing u/s 0.25mm	0
2	02/202913	Kit-main bearing u/s 0.50mm	0
2	02/202914	Kit-main bearing undersize (+)0.030"	0
2A	02/203172	Kit-main bearing standard oversize	0
2A	02/203173	Kit-main bearing oversize - 0.25mm	0
2A	02/203174	Kit-main bearing oversize - 0.50mm	0
2A	02/203175	Kit-main bearing oversize - 0.75mm	0
3	:02/202915	Kit-big end bearing standard	1
3	02/202916	Kit-big end bearing oversize - (+)0.010"	0
3	02/202917	Kit-big end bearing u/s 0.50mm	0
3	02/202918	Kit-big end bearing oversize - (+)0.030"	1
3A	02/203251	Kit-big end bearing Standard	0
3A	02/203252	Kit-big end bearing undersize (-)0.010"	0
3A	02/203253	Kit-big end bearing undersize (-)0.020"	0
3A	02/203254	Kit-big end bearing undersize (-)0.030"	0
4	:02/192083	Washer thrust top - standard	2
4	02/192011	Washer thrust top-oversize 0.19mm	0
5	:02/192084	Washer thrust bottom - standard	2
5	02/192013	Washer thrust btm-oversize 0.19mm	0
6	02/202919	Gear crankshaft	1
7	02/100038	Key	1
8	02/202922	Kit-conrod grade 'F' RED	4
8	02/202923	Kit-conrod grade 'G' ORANGE	0
8	02/202924	Kit-conrod grade 'H' WHITE	0
8	02/202925	Kit-conrod grade 'J' GREEN	0
8	02/202926	Kit-conrod grade 'K' PURPLE	0
8	02/202927	Kit-conrod grade 'L' BLUE	0
9	:02/202929	Bolt conrod	2
10	:02/202928	Bush small end	1
11	02/202920	Kit-piston & rings	4
11	02/203221	Kit-piston & rings oversize 0.5mm	0
11	02/203223	Kit-piston & rings oversize 1.0mm	0
12	****	None serviced part	1
13	:02/201151	Circlip	2
14	:02/202921	Kit-piston ring	1

JCB 9802/7040 R1-4-3 CRANKSHAFT, BEARINGS PISTONS & CON-RODS RJ BUILD



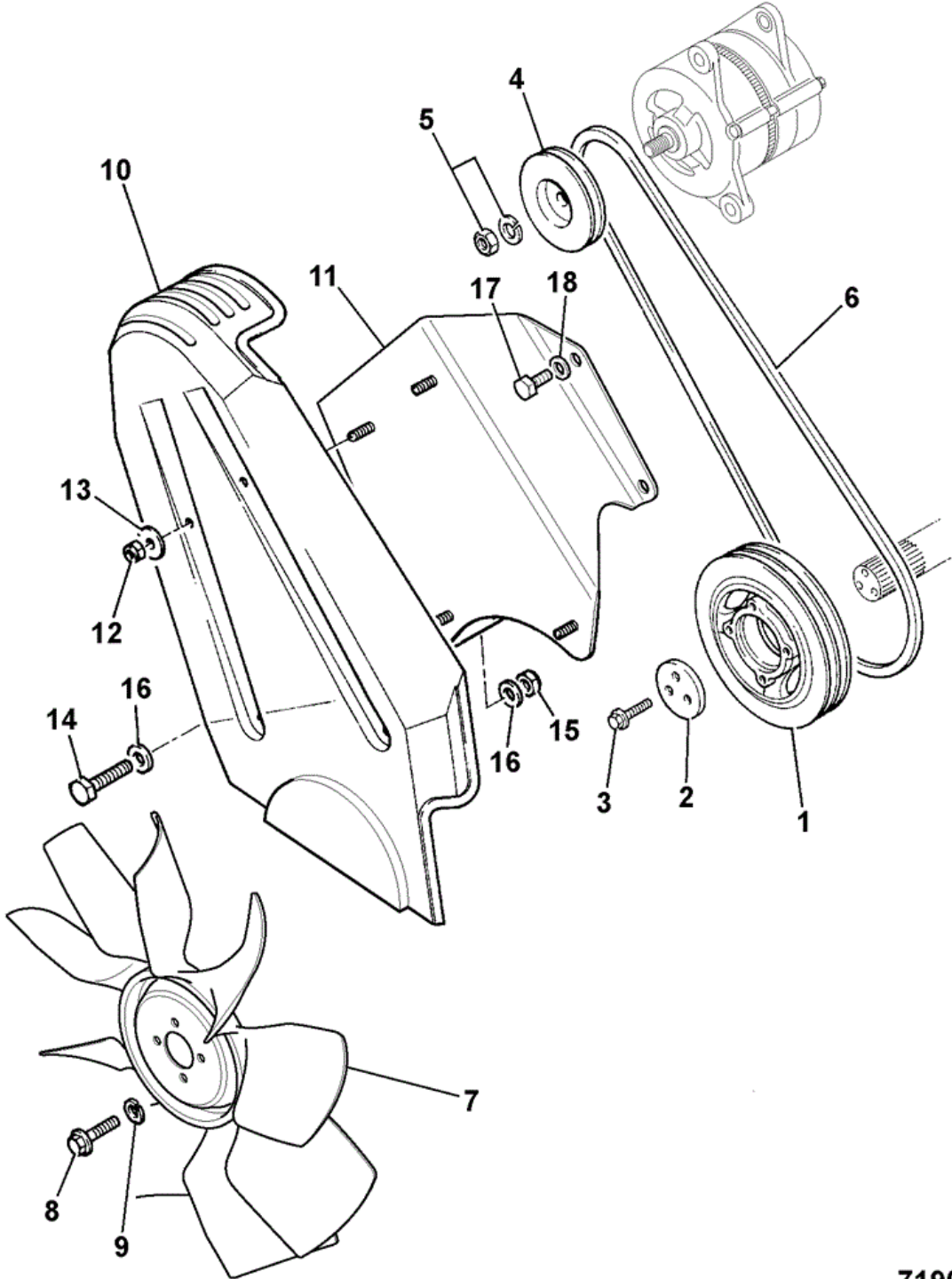
425631

Item	Part #	Change No	Description	Usage Code	QTY
1	02/202910		Crankshaft assembly		1

2	:02/202911	Kit-main bearing standard	1
2	02/202912	Kit-main bearing u/s 0.25mm	0
2	02/202913	Kit-main bearing u/s 0.50mm	0
2	02/202914	Kit-main bearing undersize (+)0.030"	0
2A	02/203172	Kit-main bearing standard oversize	0
2A	02/203173	Kit-main bearing oversize - 0.25mm	0
2A	02/203174	Kit-main bearing oversize - 0.50mm	0
2A	02/203175	Kit-main bearing oversize - 0.75mm	0
3	:02/202915	Kit-big end bearing standard	1
3	02/202916	Kit-big end bearing oversize - (+)0.010"	0
3	02/202917	Kit-big end bearing u/s 0.50mm	0
3	02/202918	Kit-big end bearing oversize - (+)0.030"	1
3A	02/203251	Kit-big end bearing Standard	0
3A	02/203252	Kit-big end bearing undersize (-)0.010"	0
3A	02/203253	Kit-big end bearing undersize (-)0.020"	0
3A	02/203254	Kit-big end bearing undersize (-)0.030"	0
4	:02/192083	Washer thrust top - standard	2
4	02/192011	Washer thrust top-oversize 0.19mm	0
5	:02/192084	Washer thrust bottom - standard	2
5	02/192013	Washer thrust btm-oversize 0.19mm	0
6	02/202919	Gear crankshaft	1
7	02/100038	Key	1
8	02/202922	Kit-conrod grade 'F' RED	4
8	02/202923	Kit-conrod grade 'G' ORANGE	0
8	02/202924	Kit-conrod grade 'H' WHITE	0
8	02/202925	Kit-conrod grade 'J' GREEN	0
8	02/202926	Kit-conrod grade 'K' PURPLE	0
8	02/202927	Kit-conrod grade 'L' BLUE	0
9	:02/202929	Bolt conrod	1
10	:02/202928	Bush small end	2
11	02/202920	Kit-piston & rings	4
11	02/203221	Kit-piston & rings oversize 0.5mm	0
11	02/203223	Kit-piston & rings oversize 1.0mm	0
12	****	None serviced part	1
13	:02/201151	Circlip	2
14	:02/202921	Kit-piston ring	1



9802/7040 R1-5-1 FANS, PULLEYS & FAN BELT RE BUILD



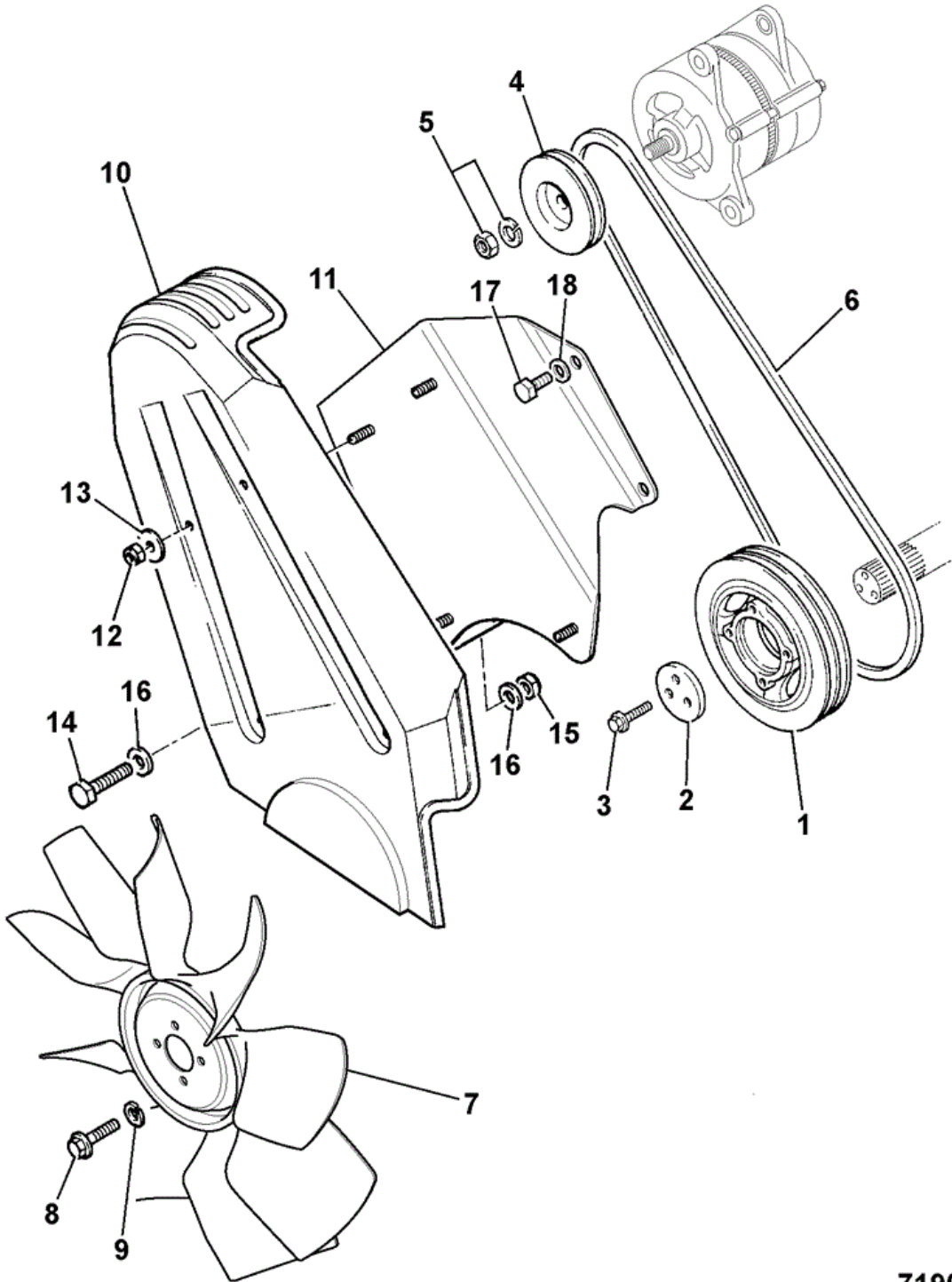
719080

Item	Part #	Change No	Description	Usage Code	QTY
1	02/200018		Pulley crankshaft twin groove		1
2	02/200017		Block Thrust		1

3	02/100579	Screw	3
4	02/202443	Pulley alternator D=86mm twin groove	1
5	714/20405	Kit-sundry parts	1
6	02/203141	Belt fan (pair)	1
7	30/925525	Fan 22"(558mm) cooling 9 blade <i>See Note 1</i>	1
7A	331/52882	Plate fan hub spreader	1
8	1305/0105Z	Bolt	1
9	1416/0005Z	Washer spring - 5/16" Zinc plated	1
10	162/03597	Guard alternator	1
11	335/04743	Bracket mounting pulley cover	1
12	826/01728	Nut nyloc	4
13	1412/0001Z	Washer 1/4" Large	4
14	1315/3716Z	Bolt M16 x 70mm	1
15	1370/0603Z	Nut lock M16	1
16	1420/0011Z	Washer (M16)	2
17	1315/0405Z	Setscrew M10 x 20 mm	2
18	1420/0008Z	Washer (M10)	2

Note 1: When replacing this Fan, Spreader item number 7A must also be fitted.

JCB 9802/7040 R1-5-2 FANS, PULLEYS & FAN BELT RG BUILD



719080

Item	Part #	Change No	Description	Usage Code	QTY
1	02/200018		Pulley crankshaft twin groove		1
2	02/200017		Block Thrust		1

Thank you so much for reading.
Please click the “Buy Now!”
button below to download the
complete manual.



After you pay.

You can download the most
perfect and complete manual in
the world immediately.

Our support email:

ebooklibonline@outlook.com