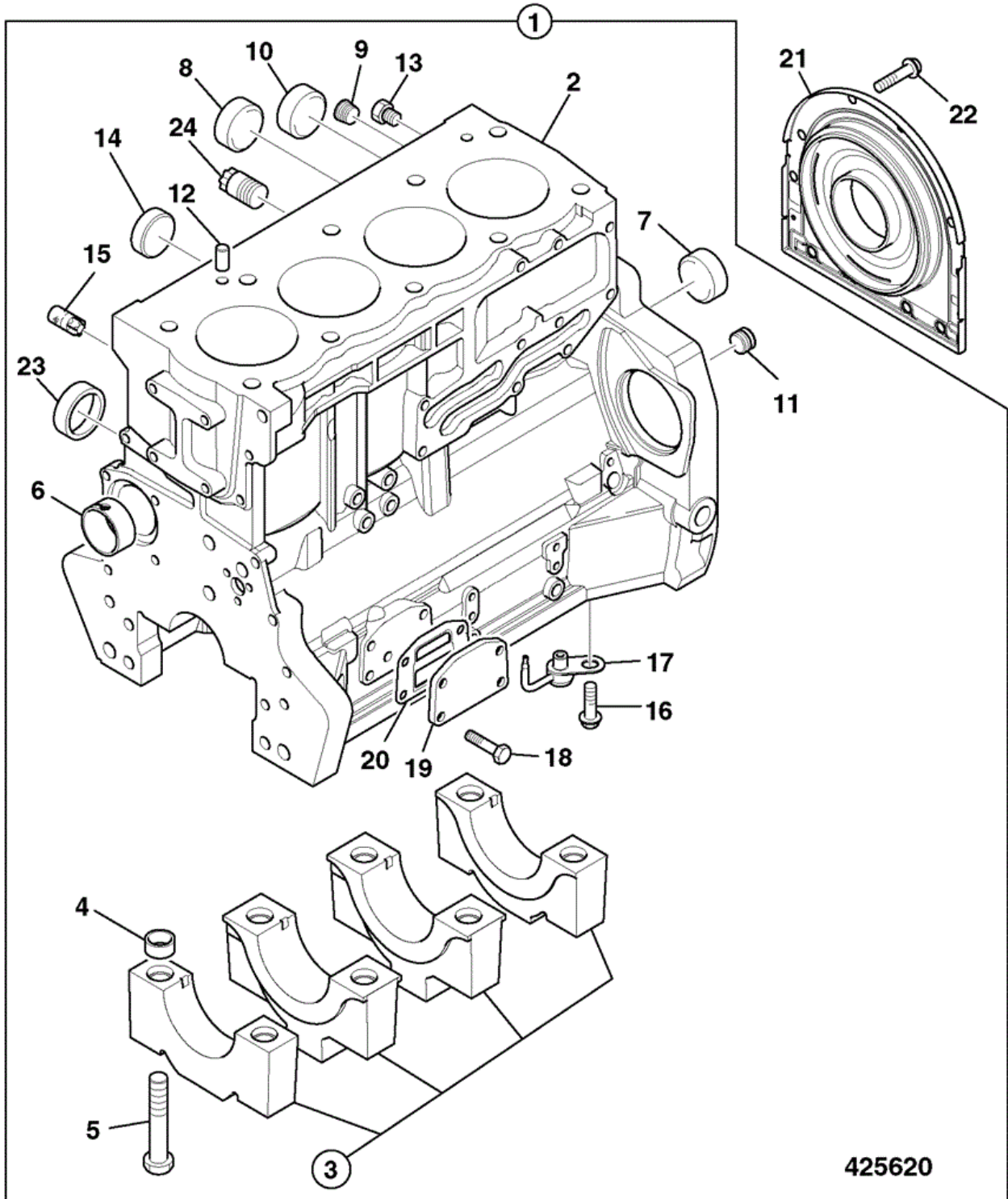




9802/7020 P1-3-1 BLOCK ASSEMBLY RJ BUILD

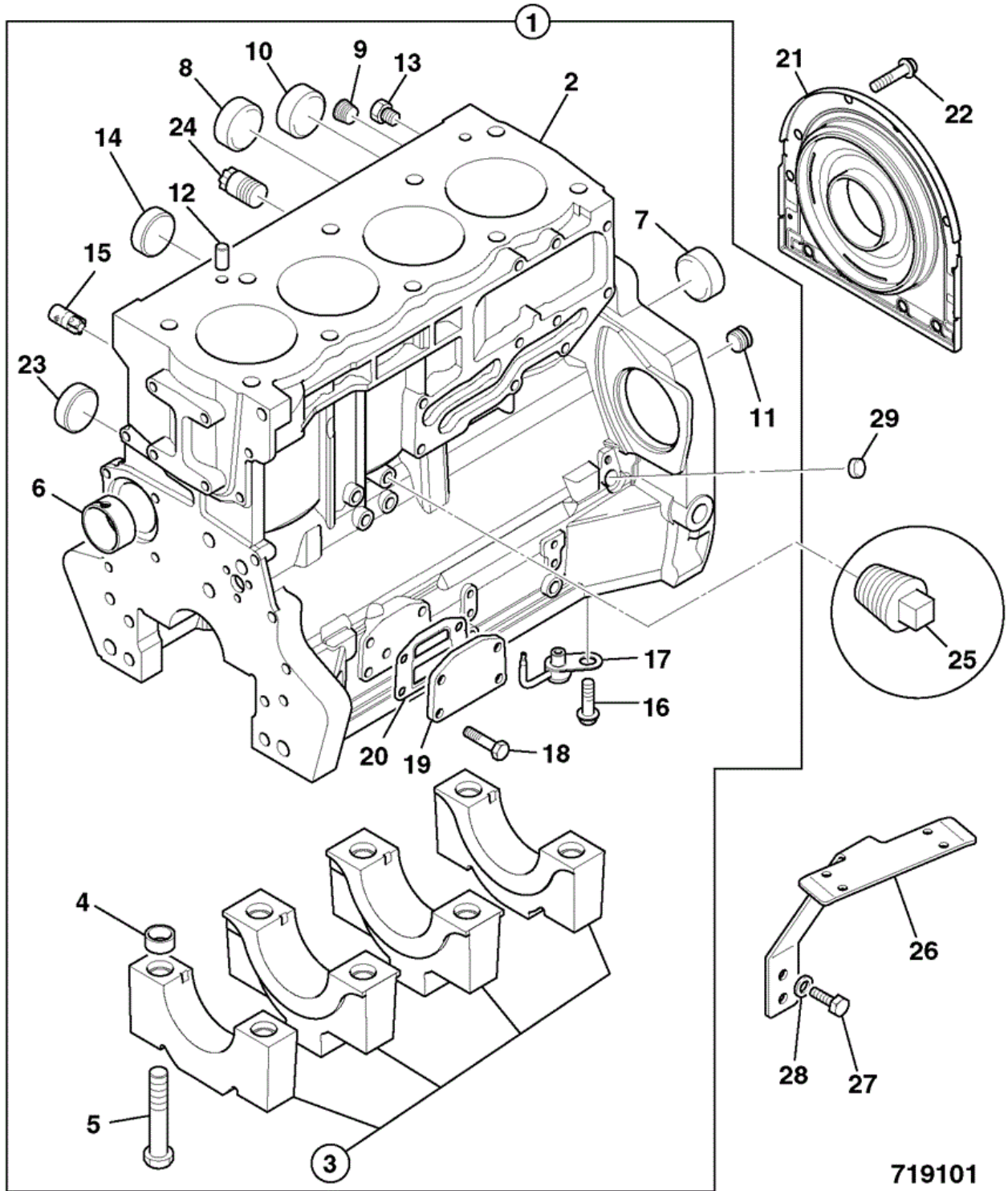


Item	Part #	Change No	Description	Usage Code	QTY
1	02/202900		Block cylinder assembly		1
2	****		None serviced part		1
3	****		None serviced part		1

4	:02/100101	Thimble	10
5	:02/100102	Bolt	10
6	:02/202901	Bush camshaft	1
7	:02/202902	Plug	1
8	:02/202903	Plug	2
9	:02/100134	Plug	1
10	:02/100396	Plug core D=32mm	1
11	:02/202904	Plug	1
12	:02/201818	Dowel	2
13	:02/202905	Plug	2
14	:02/202906	Plug	1
15	02/202907	Plug	1
16	:02/291178	Screw	4
17	:02/202908	Jet piston cooling	4
18	:02/291032	Bolt M8 x 20mm	4
19	:02/202909	Plate blanking	1
20	:02/202931	Gasket oil filter head to cyl/block	1
21	02/202935	Housing & rear oil seal assembly	1
22	826/10721	Bolt torx head drive	8
23	02/202961	Plug	1
24	02/202997	Plug	1



9802/7020 P1-3-2 BLOCK ASSEMBLY RJ BUILD 130BHP

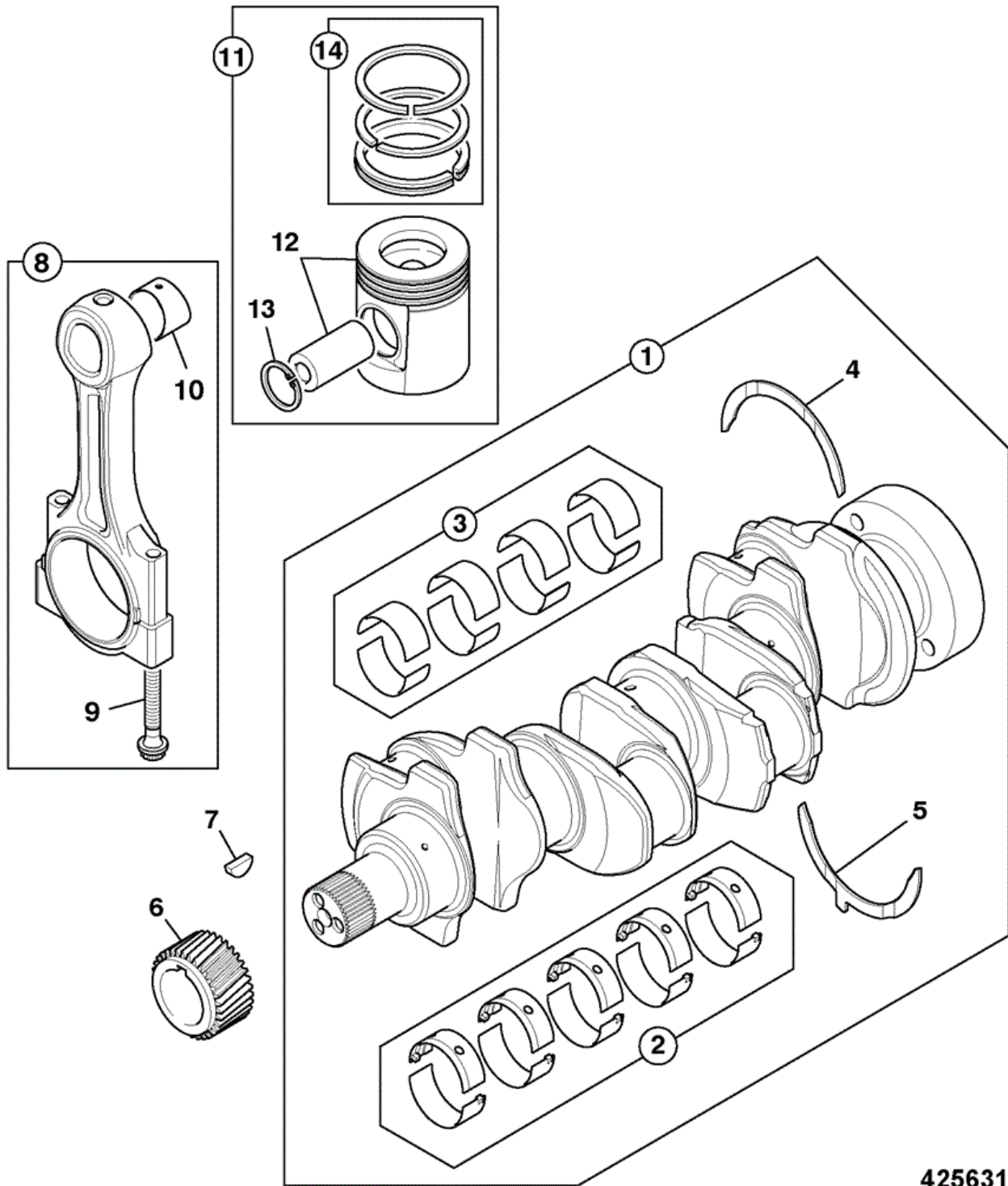


719101

Item	Part #	Change No	Description	Usage Code	QTY
1	02/202900		Block cylinder assembly		1
2	****		None serviced part		1
3	****		None serviced part		1

4	:02/100101	Thimble	10
5	:02/100102	Bolt	10
6	:02/202901	Bush camshaft	1
7	:02/202902	Plug	1
8	:02/202903	Plug	2
9	:02/100134	Plug	1
10	:02/100396	Plug core D=32mm	1
11	:02/202904	Plug	1
12	:02/201818	Dowel	2
13	:02/202905	Plug	2
14	:02/202906	Plug	1
15	02/202907	Plug	1
16	:02/291178	Screw	4
17	:02/202908	Jet piston cooling	4
18	:02/291032	Bolt M8 x 20mm	4
19	:02/202909	Plate blanking	1
20	:02/202931	Gasket oil filter head to cyl/block	1
21	02/202935	Housing & rear oil seal assembly	1
22	826/10721	Bolt torx head drive	10
23	02/202961	Plug	1
24	1315/0402Z	Setscrew	1
24A	02/202523	Washer	1
25	826/00765	Plug	1
26	331/32314	Bracket engine harness support	1
27	1315/0301Z	Screw Hexagon M8 X 12mm	2
28	1420/0007Z	Washer (M8)	2
29	02/202961	Plug	1

JCB 9802/7020 P1-4-1 CRANKSHAFT, BEARINGS PISTONS & CON-RODS RJ BUILD

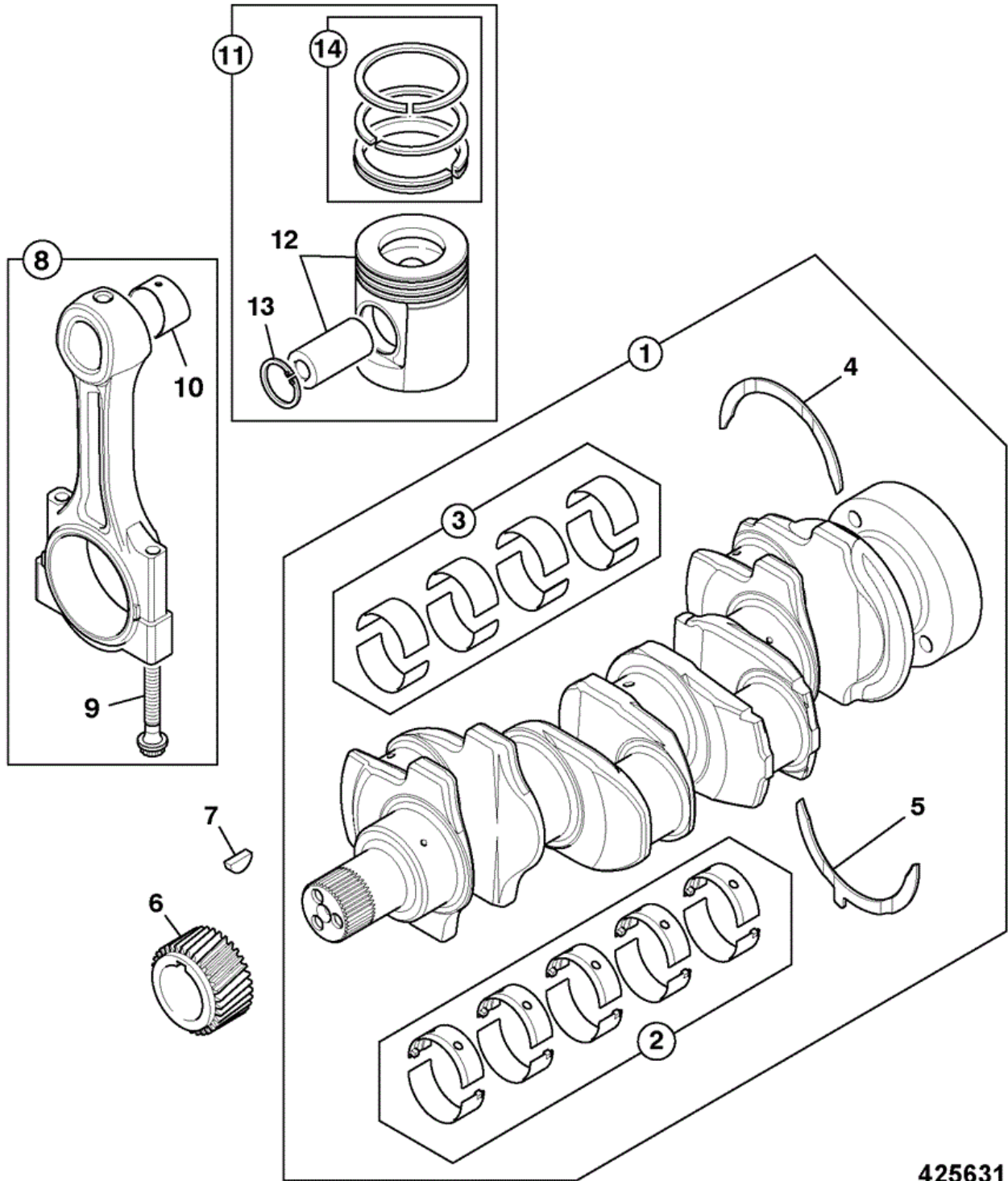


425631

Item	Part #	Change No	Description	Usage Code	QTY
1	02/202910		Crankshaft assembly		1

2	:02/202911	Kit-main bearing standard	1
2	02/202912	Kit-main bearing u/s 0.25mm	0
2	02/202913	Kit-main bearing u/s 0.50mm	0
2	02/202914	Kit-main bearing undersize (+)0.030"	0
2A	02/203172	Kit-main bearing standard oversize	0
2A	02/203173	Kit-main bearing oversize - 0.25mm	0
2A	02/203174	Kit-main bearing oversize - 0.50mm	0
2A	02/203175	Kit-main bearing oversize - 0.75mm	0
3	:02/202915	Kit-big end bearing standard	1
3	02/202916	Kit-big end bearing oversize - (+)0.010"	0
3	02/202917	Kit-big end bearing u/s 0.50mm	0
3	02/202918	Kit-big end bearing oversize - (+)0.030"	1
3A	02/203251	Kit-big end bearing Standard	0
3A	02/203252	Kit-big end bearing undersize (-)0.010"	0
3A	02/203253	Kit-big end bearing undersize (-)0.020"	0
3A	02/203254	Kit-big end bearing undersize (-)0.030"	0
4	:02/192083	Washer thrust top - standard	2
4	02/192011	Washer thrust top-oversize 0.19mm	0
5	:02/192084	Washer thrust bottom - standard	2
5	02/192013	Washer thrust btm-oversize 0.19mm	0
6	02/202919	Gear crankshaft	1
7	02/100038	Key	1
8	02/202922	Kit-conrod grade 'F' RED	4
8	02/202923	Kit-conrod grade 'G' ORANGE	0
8	02/202924	Kit-conrod grade 'H' WHITE	0
8	02/202925	Kit-conrod grade 'J' GREEN	0
8	02/202926	Kit-conrod grade 'K' PURPLE	0
8	02/202927	Kit-conrod grade 'L' BLUE	0
9	:02/202929	Bolt conrod	1
10	:02/202928	Bush small end	2
11	02/202920	Kit-piston & rings	4
11	02/203221	Kit-piston & rings oversize 0.5mm	0
11	02/203223	Kit-piston & rings oversize 1.0mm	0
12	****	None serviced part	1
13	:02/201151	Circlip	2
14	:02/202921	Kit-piston ring	1

JCB 9802/7020 P1-4-2 CRANKSHAFT, BEARINGS PISTONS & CON-RODS RJ BUILD 130BHP



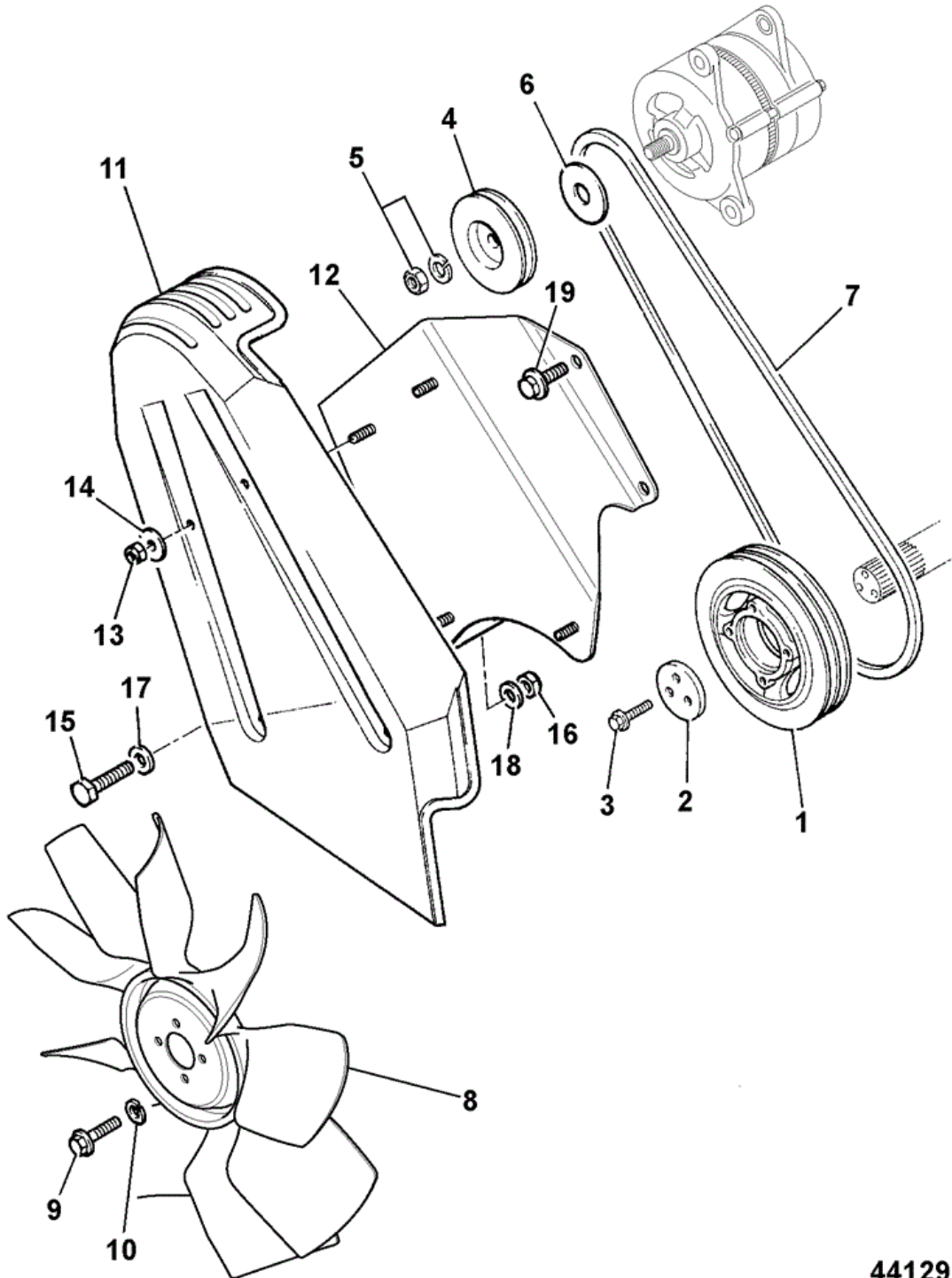
425631

Item	Part #	Change No	Description	Usage Code	QTY
1	02/202910		Crankshaft assembly		1

2	:02/202911	Kit-main bearing standard	1
2	02/202912	Kit-main bearing u/s 0.25mm	0
2	02/202913	Kit-main bearing u/s 0.50mm	0
2	02/202914	Kit-main bearing undersize (+)0.030"	0
2A	02/203172	Kit-main bearing standard oversize	0
2A	02/203173	Kit-main bearing oversize - 0.25mm	0
2A	02/203174	Kit-main bearing oversize - 0.50mm	0
2A	02/203175	Kit-main bearing oversize - 0.75mm	0
3	:02/202915	Kit-big end bearing standard	1
3	02/202916	Kit-big end bearing oversize - (+)0.010"	0
3	02/202917	Kit-big end bearing u/s 0.50mm	0
3	02/202918	Kit-big end bearing oversize - (+)0.030"	1
3A	02/203251	Kit-big end bearing Standard	0
3A	02/203252	Kit-big end bearing undersize (-)0.010"	0
3A	02/203253	Kit-big end bearing undersize (-)0.020"	0
3A	02/203254	Kit-big end bearing undersize (-)0.030"	0
4	:02/192083	Washer thrust top - standard	2
4	02/192011	Washer thrust top-oversize 0.19mm	0
5	:02/192084	Washer thrust bottom - standard	2
5	02/192013	Washer thrust btm-oversize 0.19mm	0
6	02/202919	Gear crankshaft	1
7	02/100038	Key	1
8	02/202922	Kit-conrod grade 'F' RED	4
8	02/202923	Kit-conrod grade 'G' ORANGE	0
8	02/202924	Kit-conrod grade 'H' WHITE	0
8	02/202925	Kit-conrod grade 'J' GREEN	0
8	02/202926	Kit-conrod grade 'K' PURPLE	0
8	02/202927	Kit-conrod grade 'L' BLUE	0
9	:02/202929	Bolt conrod	1
10	:02/202928	Bush small end	2
11	02/202920	Kit-piston & rings	4
11	02/203221	Kit-piston & rings oversize 0.5mm	0
11	02/203223	Kit-piston & rings oversize 1.0mm	0
12	****	None serviced part	1
13	:02/201151	Circlip	2
14	:02/202921	Kit-piston ring	1



9802/7020 P1-5-1 FANS, PULLEYS & FAN BELT RJ BUILD



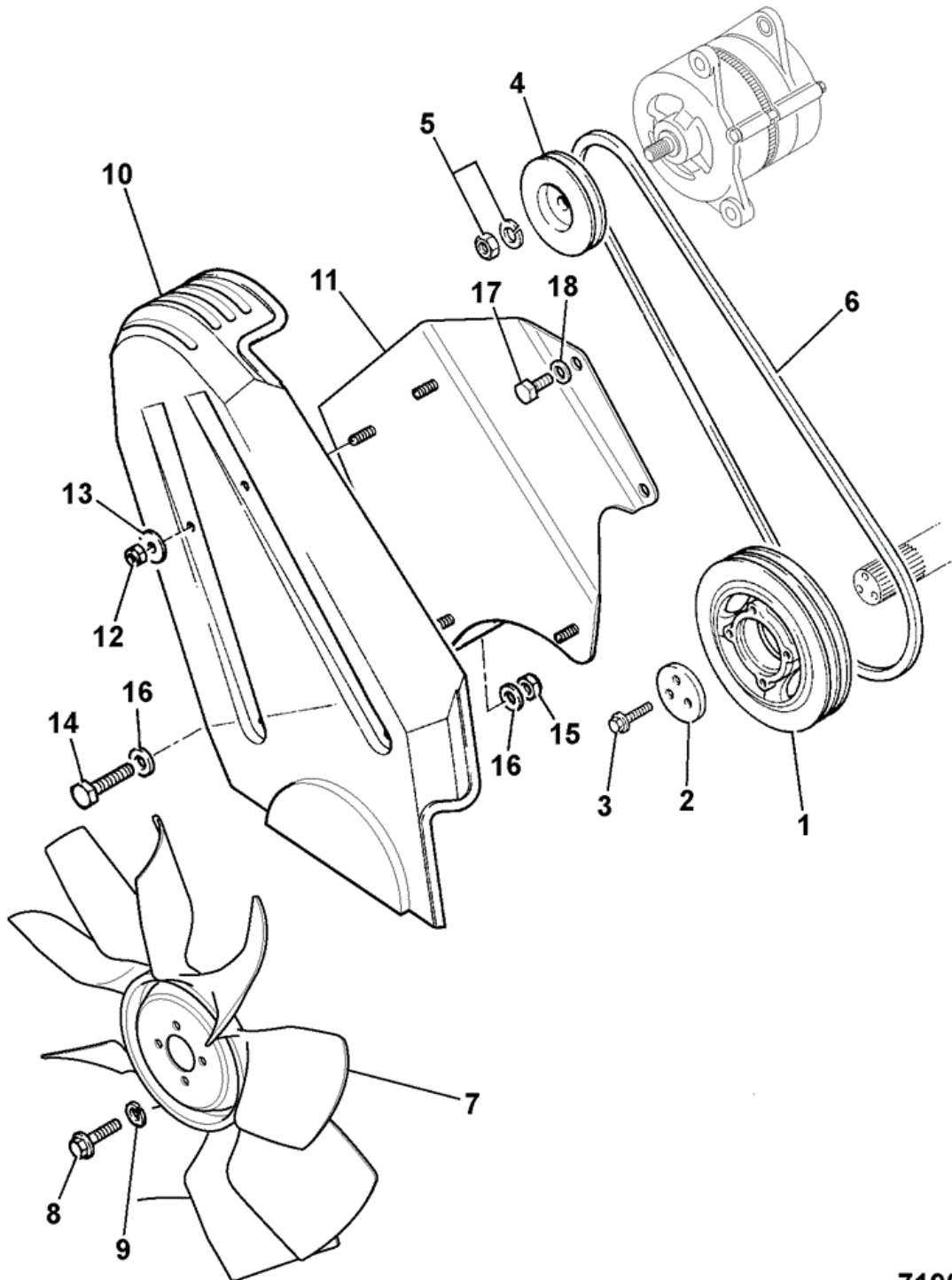
441291

Item	Part #	Change No	Description	Usage Code	QTY
1	02/200018		Pulley crankshaft twin groove		1
2	02/200017		Block Thrust		1
3	02/100579		Screw		3

4	02/202437	Pulley alternator D=86mm single groove <i>65AMP Alternator</i>	1
4	02/202438	Pulley alternator D=73mm single groove <i>85AMP Alternator</i>	1
5	714/20405	Kit-sundry parts	1
6	714/16711	Washer fan support <i>Sealed Alternator option only</i>	1
7	02/201910	Belt fan, pair	1
8	30/925525	Fan 22"(558mm) cooling 9 blade <i>See Note 1</i>	1
8A	331/52882	Plate fan hub spreader	1
9	1305/0105Z	Bolt	4
10	1416/0005Z	Washer spring - 5/16" Zinc plated	4
11	162/03237	Cover pulley	1
12	335/04743	Bracket mounting pulley cover	1
13	1370/0103Z	Nut Self Lock M6	4
14	1411/0001Z	Washer (1/4" Medium)	4
15	1315/3716Z	Bolt M16 x 70mm	1
16	1370/0603Z	Nut lock M16	1
17	1412/0007Z	Washer	1
18	1410/0007Z	Washer (5/8" Small)	1
19	02/291038	Bolt	1

Note 1: When replacing this Fan, Spreader item number 8A must also be fitted.

JCB 9802/7020 P1-5-2 FANS, PULLEYS & FAN BELT RJ BUILD
130BHP



719080

Item	Part #	Change No	Description	Usage Code	QTY
1	02/200018		Pulley crankshaft twin groove		1

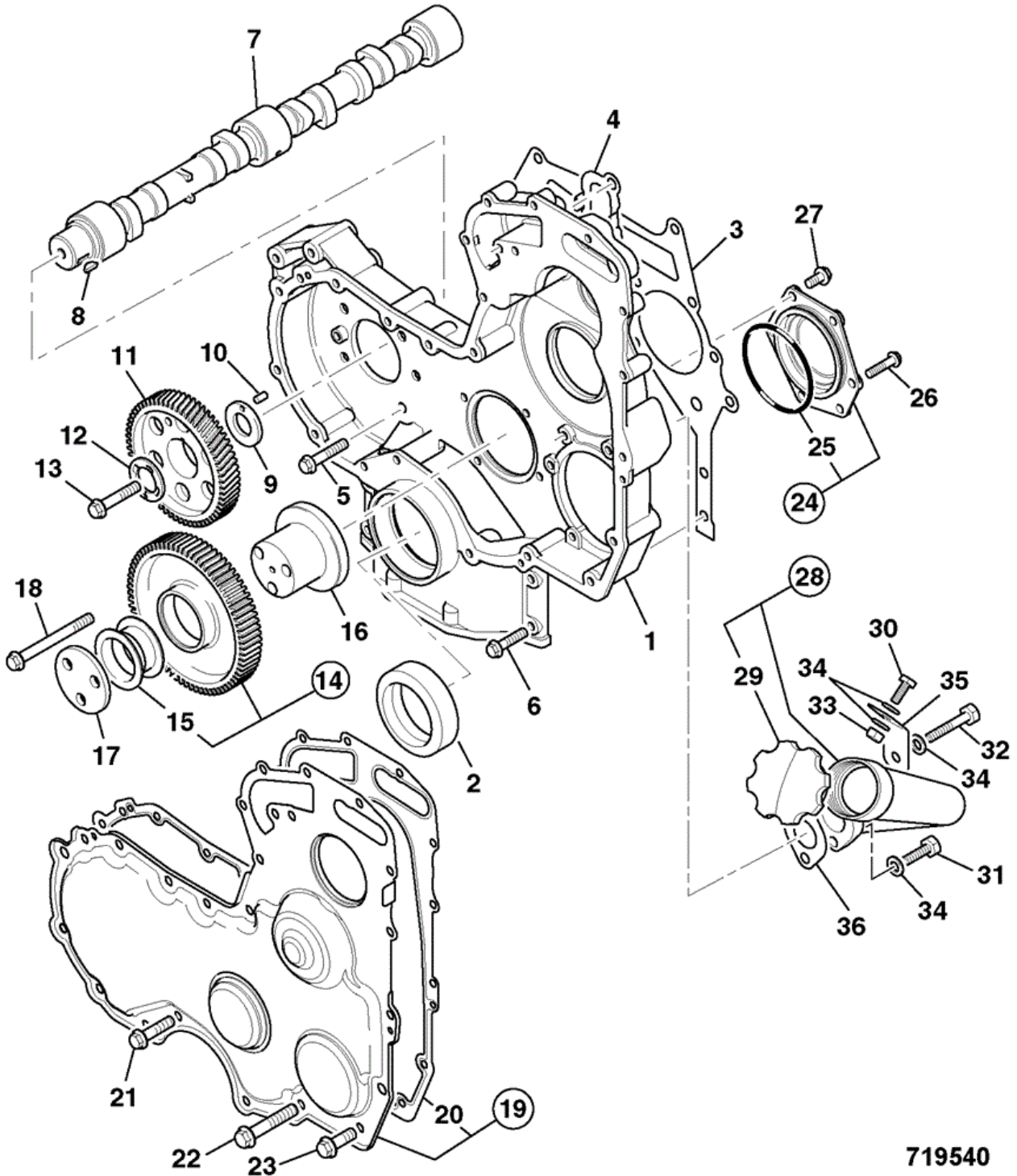
2	02/200017	Block Thrust	1
3	02/100579	Screw	3
4	02/202437	Pulley alternator D=86mm single groove	1
5	714/20405	Kit-sundry parts	1
6	02/203141	Belt fan (pair)	1
7	30/925525	Fan 22"(558mm) cooling 9 blade <i>See Note 1</i>	1
7A	331/52882	Plate fan hub spreader	1
8	1305/0105Z	Bolt	1
9	1416/0005Z	Washer spring - 5/16" Zinc plated	1
10	162/03597	Guard alternator	1
11	335/04743	Bracket mounting pulley cover	1
12	826/01728	Nut nyloc	4
13	1412/0001Z	Washer 1/4" Large	4
14	1315/3716Z	Bolt M16 x 70mm	1
15	1370/0603Z	Nut lock M16	1
16	1420/0011Z	Washer (M16)	2
17	1315/0405Z	Setscrew M10 x 20 mm	2
18	1420/0008Z	Washer (M10)	2

Note 1: When replacing this Fan, Spreader item number 7A must also be fitted.



9802/7020 P1-6-1 TIMING CASE CAMSHAFT & GEARS RJ

BUILD



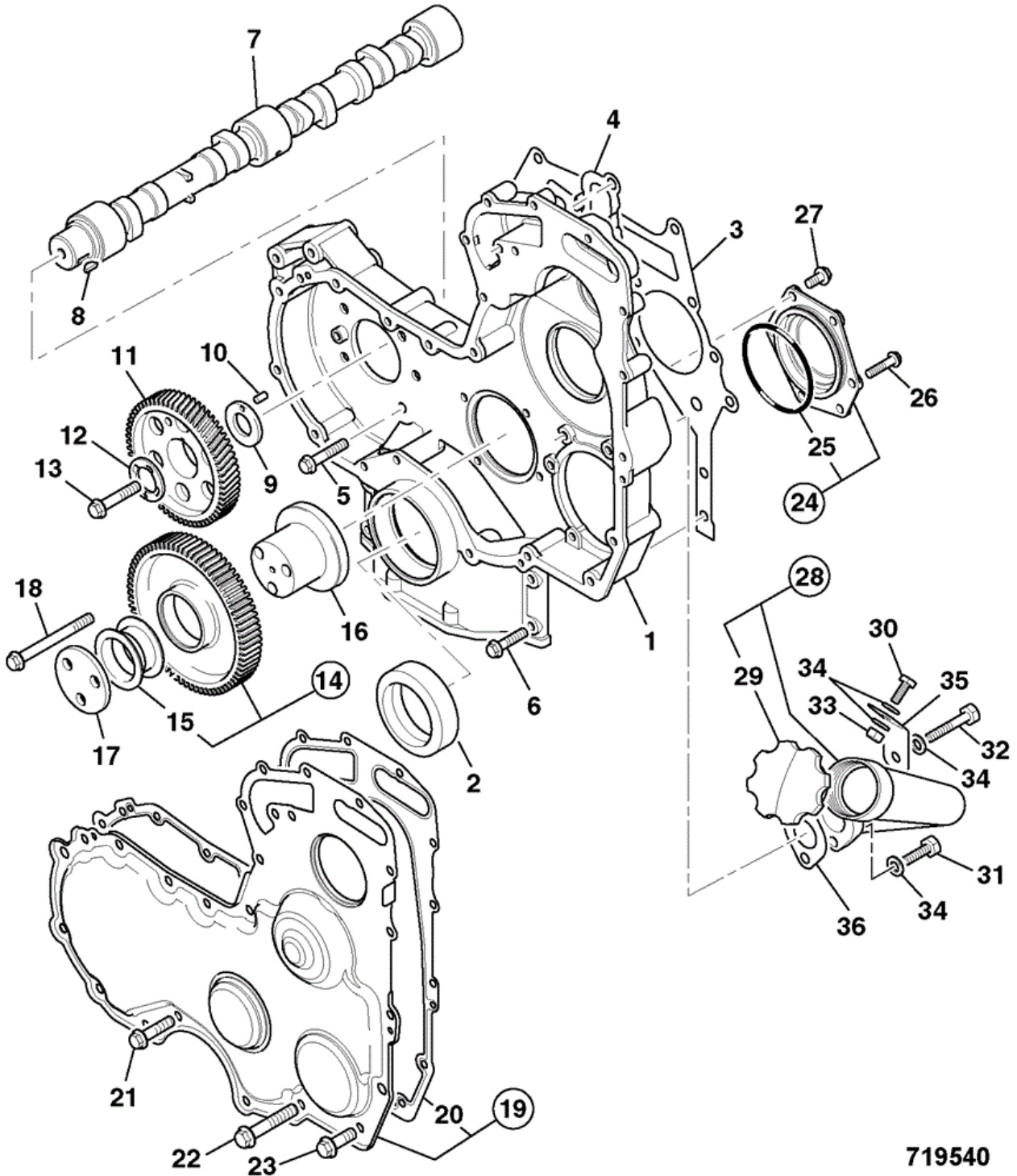
719540

Item	Part #	Change No	Description	Usage Code	QTY
1	02/203050		Casing timing		1

2	02/101435		Seal front oil	1
3	02/202984		Gasket timing case to block	1
4	02/202983		Gasket timing case	1
5	826/00869		Screw flange head	8
6	02/291033		Bolt	4
7	02/202958		Camshaft	1
8	02/100038		Key	1
9	02/291065		Washer	1
10	2102/0604		Dowel	1
11	02/203049		Gear camshaft	1
12	02/203047		Washer thrust	1
13	02/291196		Screw	1
14	02/203048		Gear idler	1
15	:02/192016		Bush	2
16	02/100041		Hub	1
17	02/201288		Plate	2
18	02/291073		Screw	3
19	:02/202993		Cover timing	2
20	:02/202994		Gasket timing cover	1
21	02/291016		Screw	9
22	02/291025		Bolt (M8 x 65)	5
23	826/00901		Screw	1
24	02/202995		Plate blanking	1
25	:02/202996		O Ring	1
26	02/291031		Bolt	5
27	826/00901		Screw	1
28	01/180023		Filler lubricating oil assembly	1
29	02/201343		Cap oil filler	1
30	1315/0305Z		Setscrew M8 x 20	1
31	1315/0308Z		Setscrew M8 x 30	1
32	1318/3314Z		Bolt locking M8X50	1
33	1370/0203Z		Nut Nut M8	1
34	1420/0007Z		Washer (M8)	4
35	331/40191		Bracket dipstick tube	1
36	813/10253		Gasket	1



9802/7020 P1-6-2 TIMING CASE CAMSHAFT & GEARS RJ BUILD 130BHP



719540

Item	Part #	Change No	Description	Usage Code	QTY
1	02/203050		Casing timing		1

Thank you so much for reading.
Please click the “Buy Now!”
button below to download the
complete manual.



After you pay.

You can download the most
perfect and complete manual in
the world immediately.

Our support email:

ebooklibonline@outlook.com