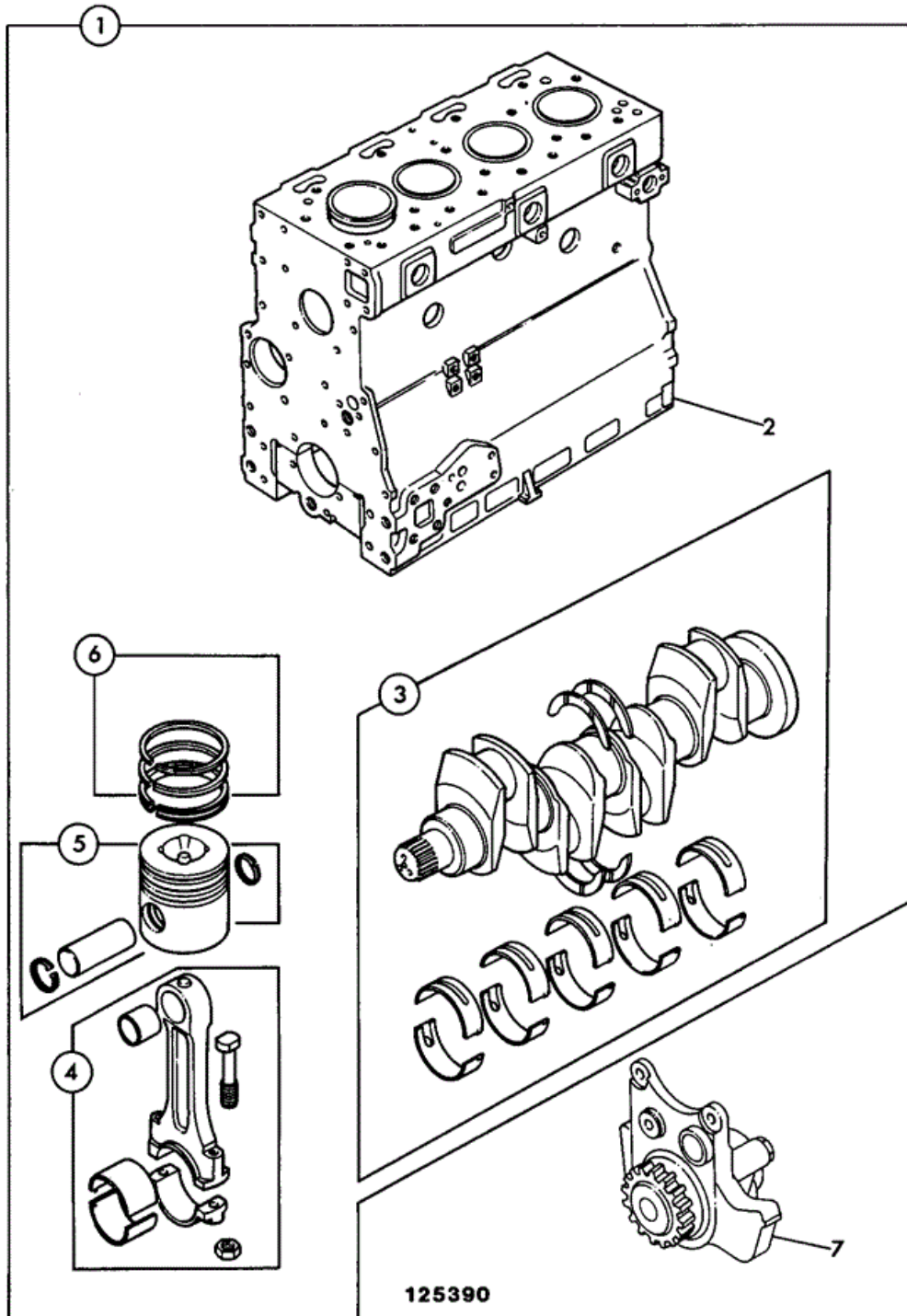




# 9802/7800 N1-2-4 ENGINE, SHORT AB BUILD

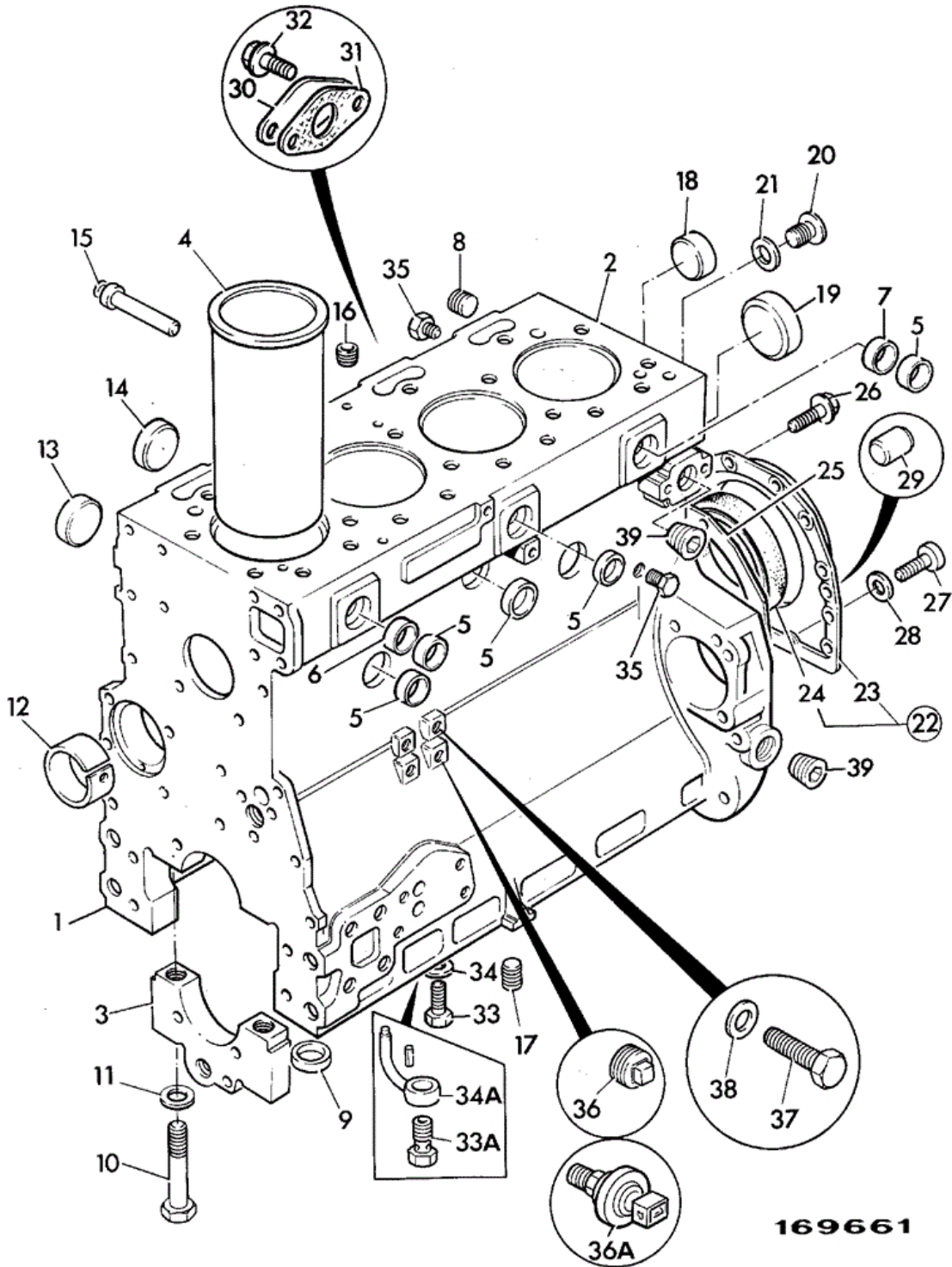


Item	Part #	Change No	Description	Usage Code	QTY
1	02/200444	Superseded	Engine short, 1004-4T <i>See Note 1</i>		1
1	02/200446		Engine short, 1004-4T turbocharged		1
2	****		'See Remark' <i>See frame N1-3-2, Block assembly</i>		1
3	****		'See Remark' <i>See frame N1-4-4, Crankshaft assembly</i>		1
4	****		'See Remark' <i>See frame N1-4-4, Con-rod assembly</i>		4
5	****		'See Remark' <i>See frame N1-4-4, Piston assembly</i>		4
6	****		'See Remark' <i>See frame N1-4-4, Piston ring kit</i>		4
7	****		'See Remark' <i>See frame N5-2-2, Oil pump</i> <i>See Note 2</i>		1

*Note 1: Items on this frame are applicable to Engines AB50444 from U608787W, AB50445 from U609165X*

*Note 2: Not included in item 1*

**JCB** 9802/7800 N1-3-1 BLOCK ASSEMBLY AA & AB BUILDS



Item	Part #	Change No	Description	Usage Code	QTY
1	02/200190	<EU707726A	Block cylinder assembly <i>AA Build only</i>		1
1	02/201315		Block cylinder assembly		1

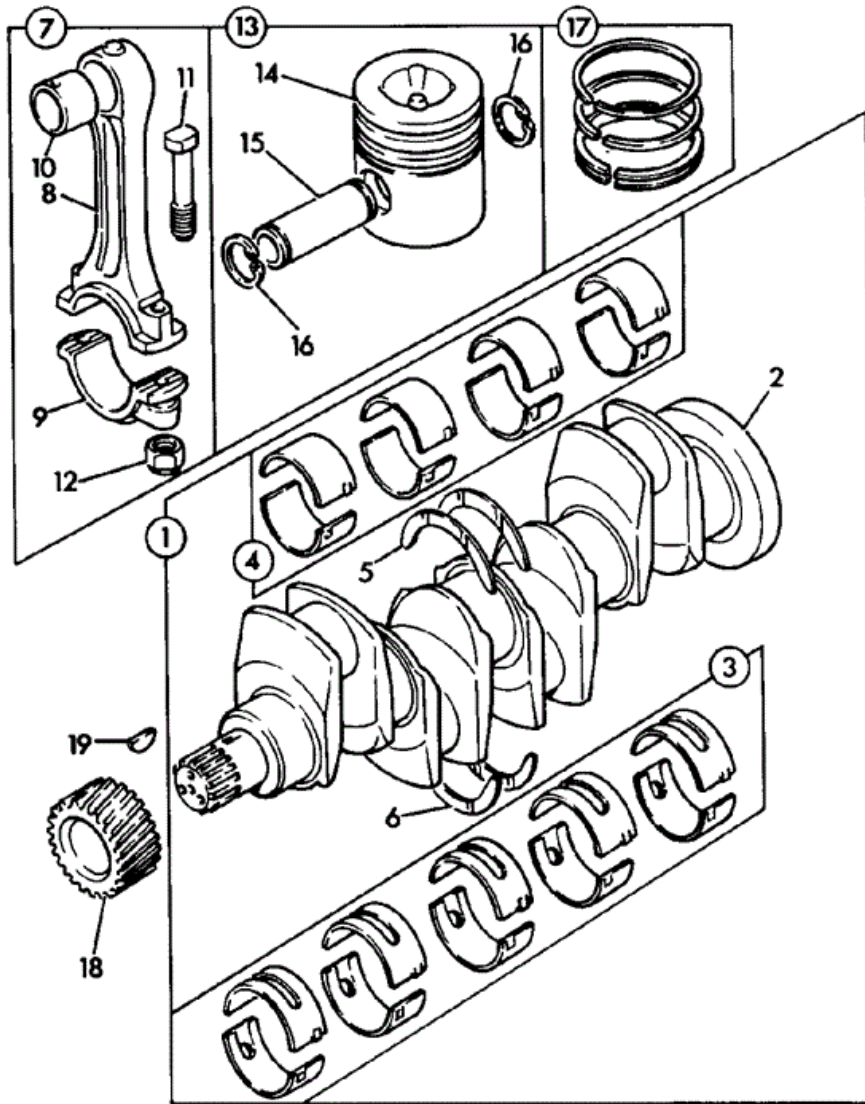
1	02/200470	Superseded	Block cylinder assembly <i>AB Build only, Includes items 33A &amp; 34A</i>	1
1	02/201300		Block assembly, cylinder	1
2	****		None serviced part <i>Block</i>	1
3	****		None serviced part <i>Bearing Cap</i>	5
4	:02/200949		Liner cylinder, press fit <i>Refer to Service Workshop Manual. See Note 1</i>	4
4	02/200002		Liner cylinder, slip fit	0
5	:02/100396		Plug core D=32mm	6
6	:02/201304		Plug	1
7	:02/200003		Plug core" D=26mm <i>Was 2 off</i>	1
8	:02/100134		Plug	1
9	:02/100101		Thimble	10
10	:02/100102		Bolt	10
11	****		'See Remark' <i>No longer fitted or required</i>	10
12	:02/192001		Bush camshaft	1
13	:02/100397	Superseded	Plug core D=38mm	4
13	:02/200454		Plug core D=38mm	4
14	:02/100397	Superseded	Plug core D=38mm	2
14	:02/200454		Plug core D=38mm	2
15	:02/101827		Plug	1
16	02/100108		Plug	1
17	02/100582		Plug core D=16mm	1
18	02/100397	Superseded	Plug core D=38mm	4
18	02/200454		Plug core D=38mm	4
19	02/100107		Plug core D=50mm	1
20	02/100111		Plug	1
21	823/00276		Washer	1
22	02/200223	Superseded	Housing rear seal	1
22	M.S.S		Multi Supersession <i>Part N.L.A use 22A with 27A</i>	1
22A	02/200523	Superseded	Housing rear seal	1
22A	M.S.S	<EU619893X	Multi Supersession <i>See Note 2</i>	1
22B	02/200958	>EU619894X	Housing rear seal	1
23	****		None serviced part <i>Cover</i>	1
24	:02/101436		Seal rear oil	1
25	02/100113	<EU619893X	Gasket rear seal housing	1
25A	02/201092	>EU619894X	Gasket rear seal housing	1
26	826/00869		Screw flange head	10
26A	826/00869	>EU619894X	Screw flange head	2
27	02/291063		Screw	2
27A	1391/3307Z		Capscrew M8x25mm <i>Used only with item 22A</i>	2
28	02/100307		Washer	2
29	02/100308		Dowel	2
30	02/200004		Plate <i>AA Build only</i>	1

31	02/200005		Gasket <i>AA Build only</i>		1
32	02/291031		Bolt <i>AA Build only</i>		2
33	02/101756		Plug <i>AA Build only</i>		4
33A	****		'See Remark' <i>AB Build only - See frame N5-3-1</i>		4
34	823/00287		Washer spacer <i>AA Build only</i>		4
34A	****		'See Remark' <i>AB Build only - See frame N5-3-1</i>		4
35	02/100132		Plug drain <i>Water drain</i>		2
35	02/100335		Tap drain <i>Alternative</i>		0
36	826/00765	<M567362	Plug		1
36A	701/26800	Superseded	Switch oil pressure engine <i>See Note 3</i>		1
36A	701/41500		Switch oil pressure		1
37	1315/0401Z		Bolt M10 x 10		1
38	823/00273		Washer		1
39	02/100134		Plug <i>AA Build only</i>		1

*Note 1: Special tools required for fitting, boring and honing. For normal Service use slip-fit type*

*Note 2: Part No Longer Available use 22B with items 25A, 26A, 27A and 1 off bridge piece 02/201094.*

*Note 3: Also fitted to M567180, M567194, M567208, M567215, M567233, M567247.*



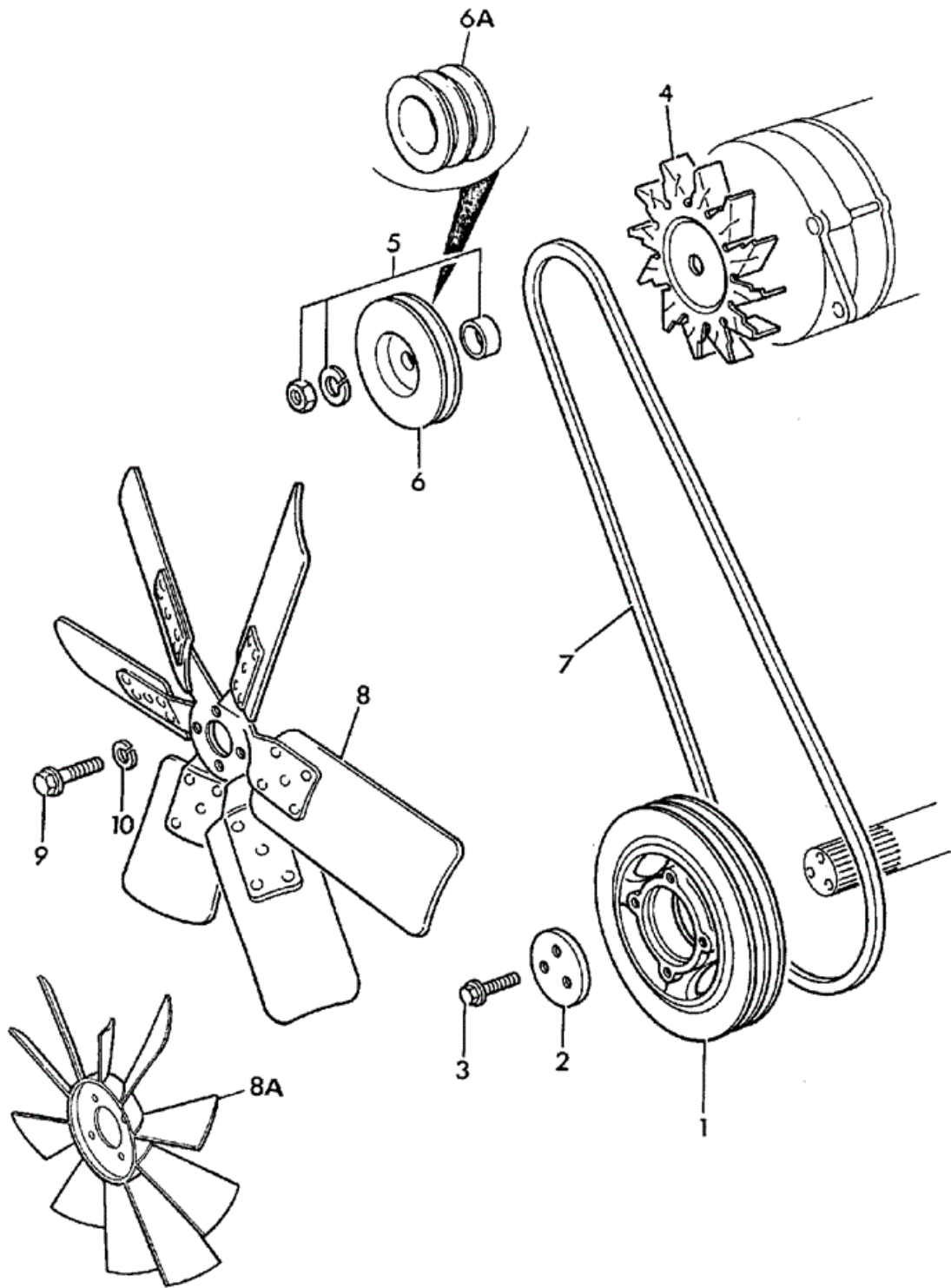
095660

Item	Part #	Change No	Description	Usage Code	QTY
1	02/101927		Crankshaft assembly <i>See Note 1</i>		1
2	****		None serviced part <i>Crankshaft</i>		1
3	:02/192002		Kit-bearing Main Standard		1
3	02/192003		Kit-bearing Main Undersize - .010inch		1

3	02/192004		Kit-bearing Main Undersize - .020inch	1
3	02/192005		Kit-bearing Main Undersize - .030inch	1
4	:02/192085		Kit-bearing 4 Pairs Standard	1
4	02/192086		Kit-bearing 4 Pairs Undersize - .010inch	1
4	02/192087		Kit-bearing 4 Pairs Undersize - 0.20inch	1
4	02/192088		Kit-bearing 4 Pairs Undersize - 0.30inch	1
5	:02/192083		Washer thrust top - standard	2
5	02/192011		Washer thrust top-oversize 0.19mm	2
6	:02/192084		Washer thrust bottom - standard	2
6	02/192013		Washer thrust btm-oversize 0.19mm	2
7	02/101632		Rod assembly connecting	4
8	****		None serviced part <i>Con-rod</i>	1
9	****		None serviced part <i>Cap</i>	1
10	:02/192019		Bush small end	1
11	:02/291072		Bolt	2
12	:02/100128		Nut	2
13	02/200007	Superseded	Piston assembly	4
13	02/200425	Superseded	Piston assembly	4
13	02/200782	<EU587746W	Piston assembly	4
13	02/200825	Superseded	Piston assembly	4
13	02/200782	>EU587747W	Piston assembly	4
14	****		None serviced part <i>Piston</i>	1
15	****		None serviced part <i>Gudgeon pin</i>	1
16	:02/100129		Circlip	2
17	02/200020		Kit-piston ring	4
18	02/290001		Gear	1
19	02/100038		Key	1

Note 1: Items on this frame are applicable to Engines AB50304 up to U608786W, AB50260 to U609164X



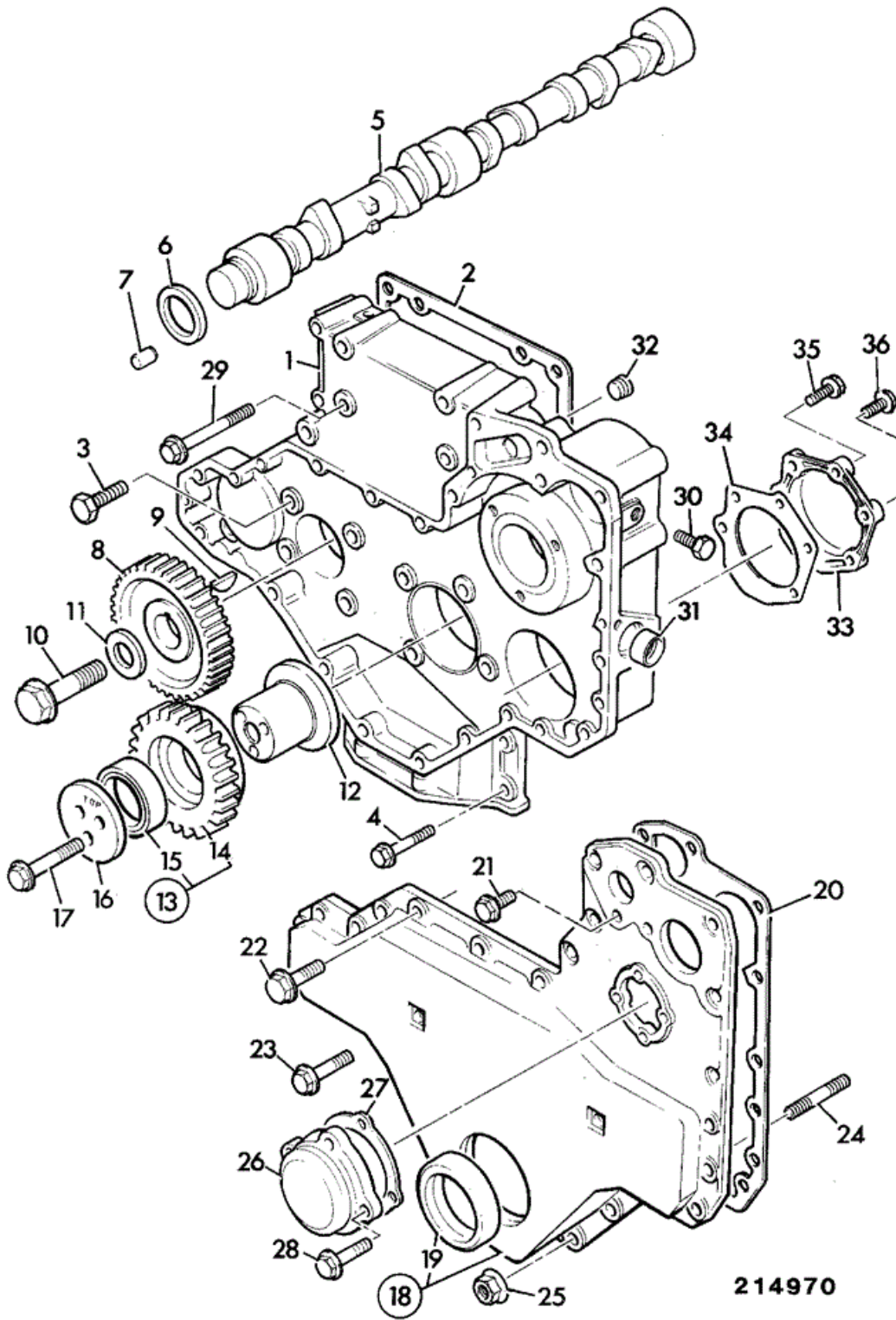


117951

Item	Part #	Change No	Description	Usage Code	QTY
1	02/200018		Pulley crankshaft twin groove		1
2	02/200017		Block Thrust		1
3	02/100579		Screw		3
4	714/10812		Fan alternator		1
4A	714/16711		Washer fan support <i>Not illustrated</i>		1



5	714/10810		Kit-sundry parts		1
6	02/200212		Pulley alternator D=86mm single groove		1
6A	02/200019		Pulley alternator twin groove		1
7	02/200426		Belt fan drive, pair		1
8	209/02321	Superseded	Fan cooling, 18" 6 blades		1
8	141/18300	<M585238	Fan cooling, 18" 10 blades		1
8	262/36800		Fan cooling, 20" puller		1
8A	262/36800		Fan cooling, 20" puller <i>AB BUILD 102BHP ONLY</i>		1
9	1305/0105Z		Bolt		4
10	1416/0005Z		Washer spring - 5/16" Zinc plated		4

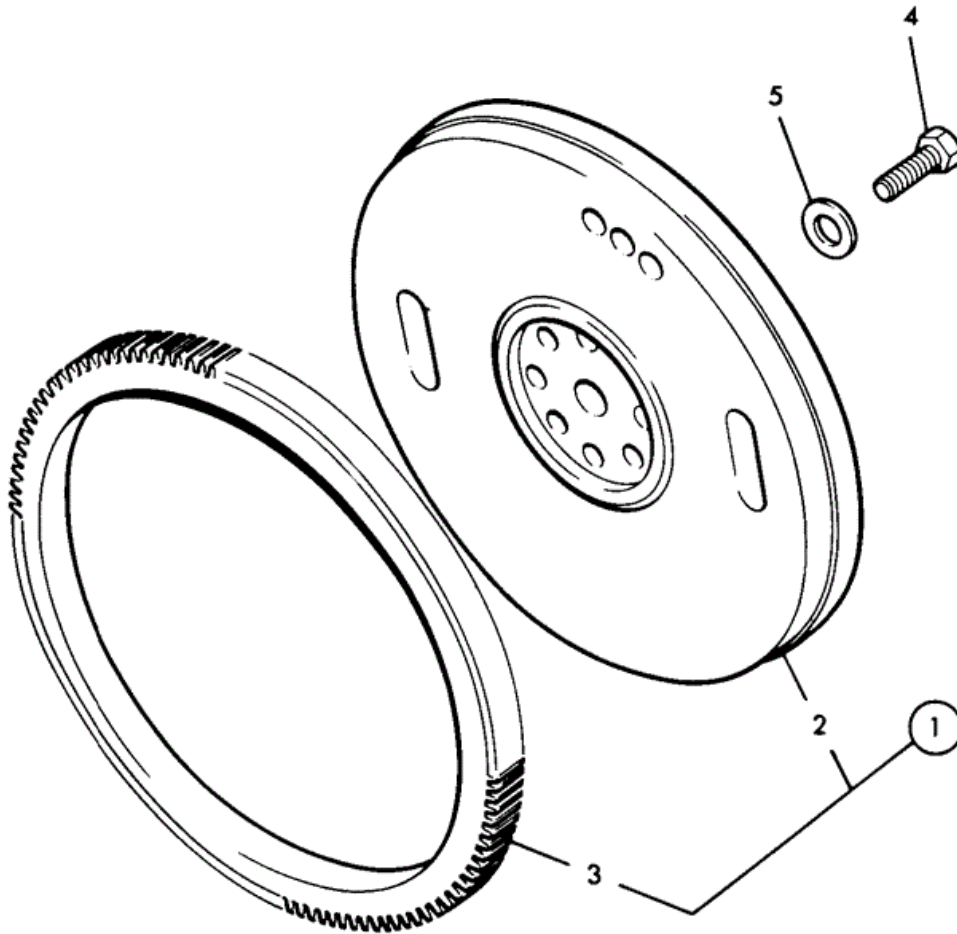


Item	Part #	Change No	Description	Usage Code	QTY
1	02/200021	Superseded	Casing timing, twin p.t.o		1
1	M.S.S		Multi Supersession <i>Part N.L.A use 1A with items 22 &amp; 23A</i>		1
1A	02/200948		Casing timing, twin p.t.o <i>AB50444, AB50445 Builds</i>		1
2	02/200022		Gasket t/case to block		1

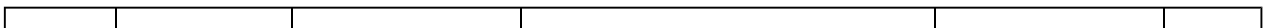
3	826/00869		Screw flange head		8
4	02/291033		Bolt		4
5	02/200023		Camshaft		1
6	02/192064		Washer thrust		1
7	2102/0604		Dowel		1
8	02/190034		Gear camshaft		1
9	02/100038		Key		1
10	02/291047		Bolt		1
11	02/291065		Washer		1
12	02/100041		Hub		1
13	02/190033		Gear idler assembly		1
14	:N.S.P.		None serviced part <i>Gear</i>		1
15	:02/192016		Bush		2
16	02/100042		Plate		1
17	02/291073		Screw		3
18	02/200026	Superseded	Cover timing case		1
18	02/200486		Cover timing		1
19	:02/101435		Seal front oil		1
20	02/200027	Superseded	Gasket timing cover		1
20	02/200728		Gasket timing cover		1
21	02/291026		Bolt		6
22	02/291018		Bolt <i>Used only with item 1A</i>		9
23	02/291017		Screw		11
23A	02/291017		Screw <i>Used only with item 1A</i>		1
24	02/291051		Stud		2
25	02/291058		Nut flanged M8		2
26	02/200028		Cover inspection		1
27	02/200029		Gasket inspection cover		1
28	02/291014		Bolt		4
29	02/291038		Bolt		4
30	02/291074		Bolt		1
31	02/100397		Plug core D=38mm		1
32	02/100409		Plug taper threaded		1
33	02/200034		Plate		1
34	02/200035		Gasket		1
35	02/291033		Bolt		5
36	02/291037		Bolt		1



# 9802/7800 N1-7-1 FLYWHEEL AA & AB BUILDS

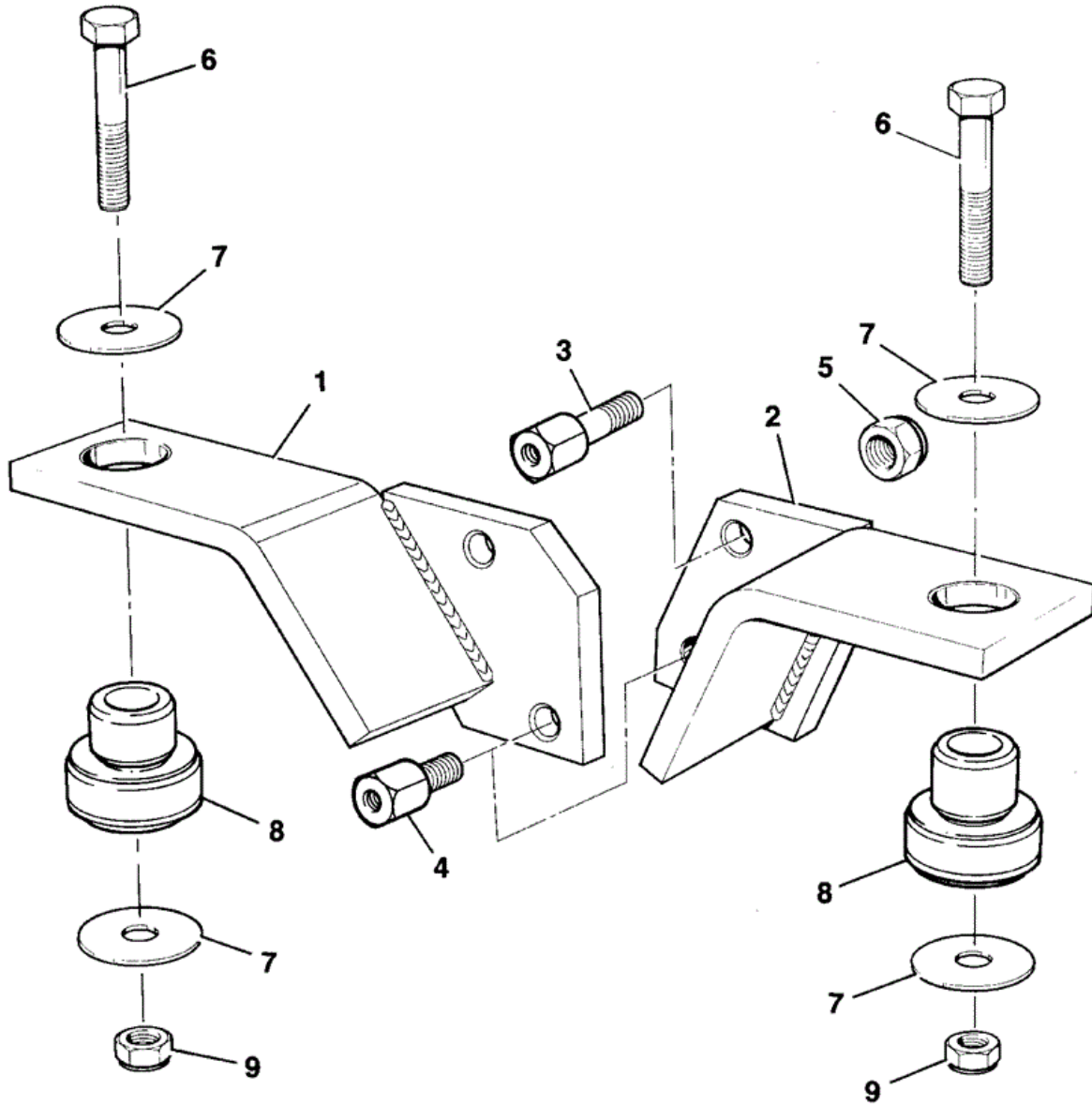


**105250**



Item	Part #	Change No	Description	Usage Code	QTY
1	02/101737		Flywheel assembly		1
2	:N.S.P.		None serviced part <i>Flywheel</i>		1
3	:02/100078		Gear starter ring		1
4	02/100570		Setscrew		6
5	02/100614	Superseded	Washer		6
5	02/200725		Washer		6

**JCB** 9802/7800 N1-8-2 ENGINE MOUNTINGS



267100

Item	Part #	Change No	Description	Usage Code	QTY
1	159/65800	Superseded	Bracket engine mounting left hand		1
1	159/69633	Superseded	Bracket engine mounting left hand		1
1	159/70099		Bracket engine mounting left hand		1

Thank you so much for reading.  
Please click the “Buy Now!”  
button below to download the  
complete manual.



After you pay.

You can download the most  
perfect and complete manual in  
the world immediately.

Our support email:

[ebooklibonline@outlook.com](mailto:ebooklibonline@outlook.com)