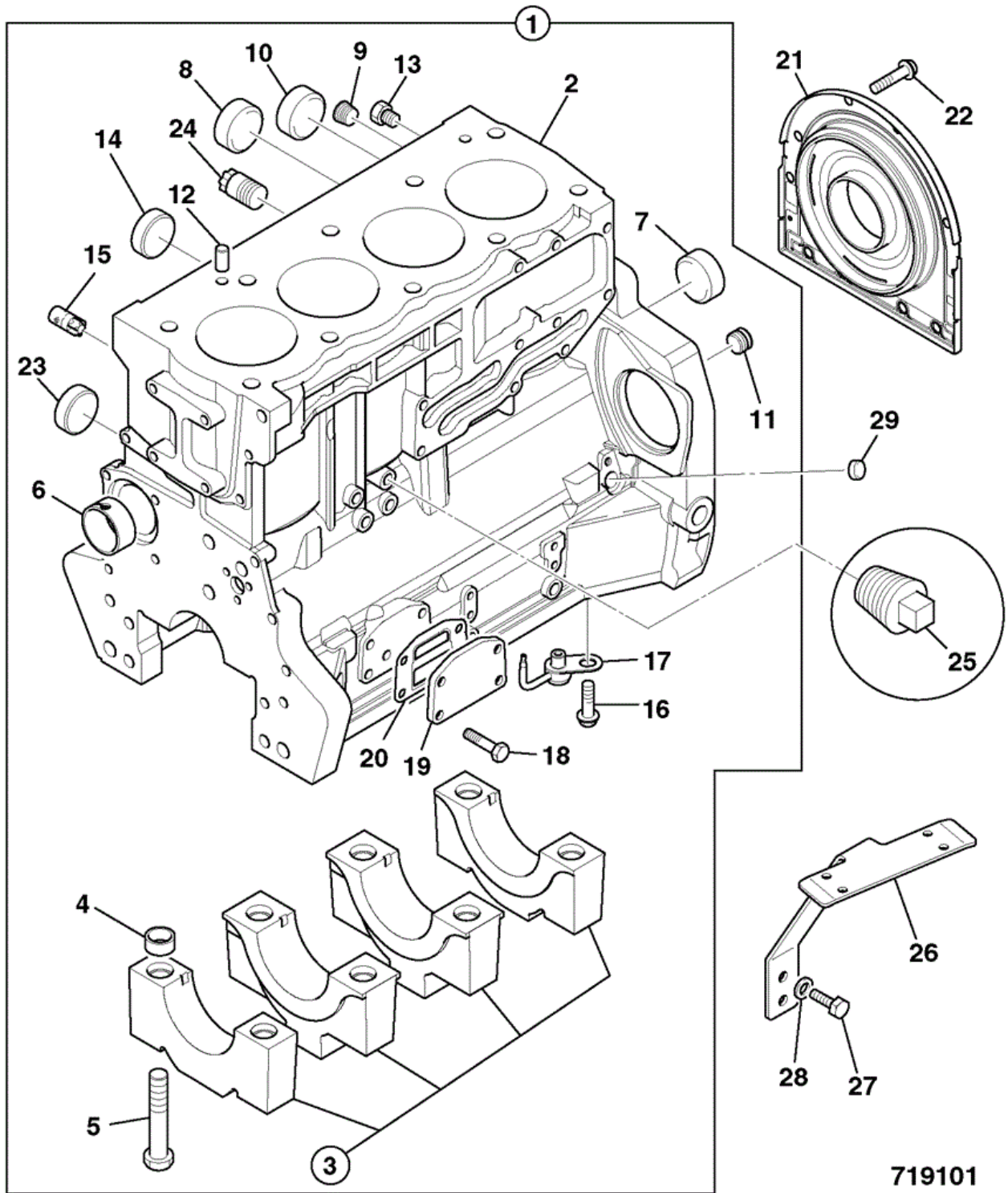


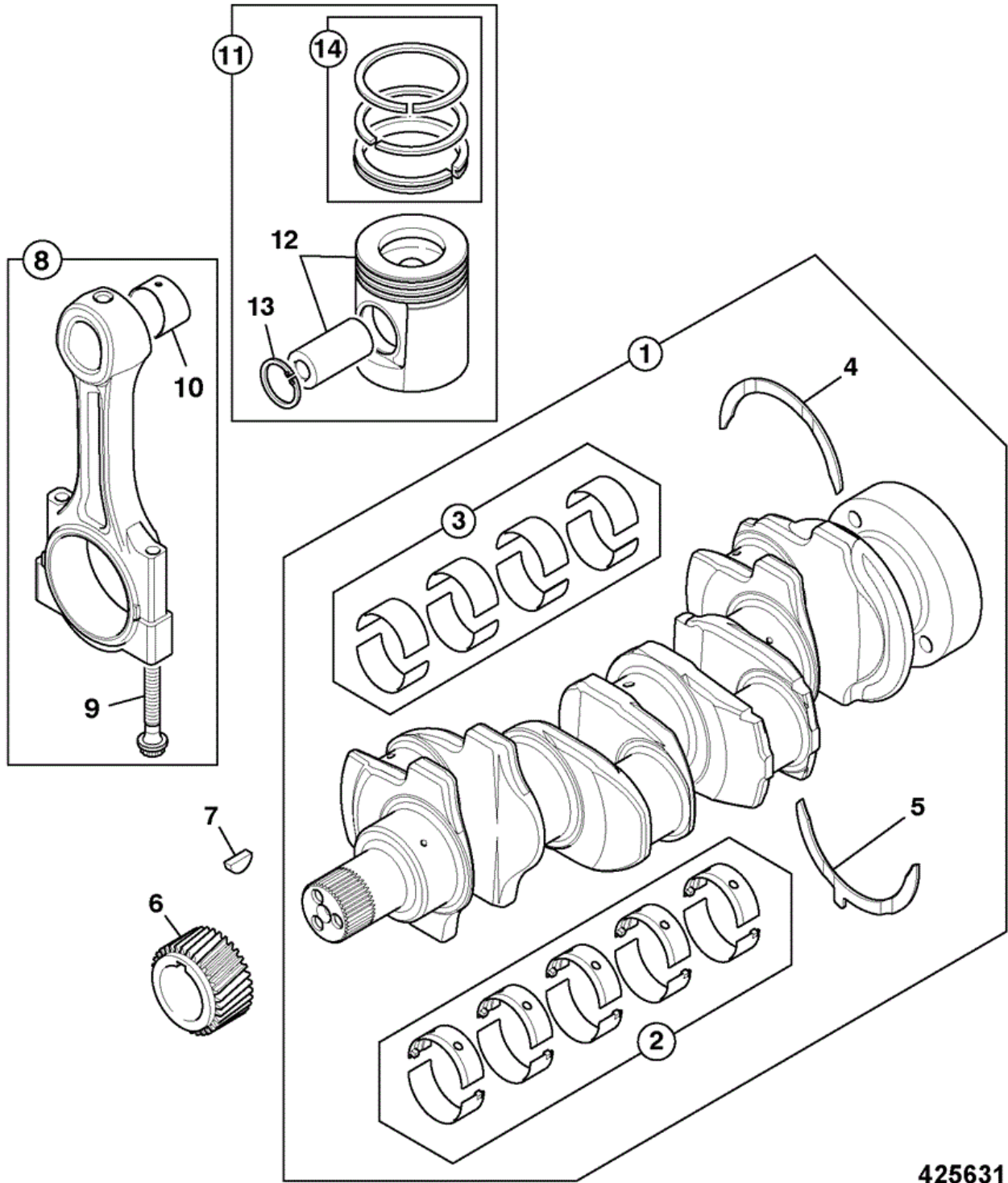
JCB 9802/7240 R1-3-1 BLOCK ASSEMBLY RG & RJ BUILD



Item	Part #	Change No	Description	Usage Code	QTY
1	02/202900		Block cylinder assembly		1
2	****		None serviced part		1
3	****		None serviced part		1

4	:02/100101	Thimble	10
5	:02/100102	Bolt	10
6	:02/202901	Bush camshaft	1
7	:02/202902	Plug	1
8	:02/202903	Plug	2
9	:02/100134	Plug	1
10	:02/100396	Plug core D=32mm	1
11	:02/202904	Plug	1
12	:02/201818	Dowel	2
13	:02/202905	Plug	2
14	:02/202906	Plug	1
15	02/202997	Plug	1
16	:02/291178	Screw	4
17	:02/202908	Jet piston cooling	4
18	:02/291032	Bolt M8 x 20mm	4
19	:02/202909	Plate blanking	1
20	:02/202931	Gasket oil filter head to cyl/block	1
21	02/202935	Housing & rear oil seal assembly	1
22	826/10721	Bolt torx head drive	8
23	02/202961	Plug	1
24	02/202997	Plug	1
25	826/00765	Plug	1
26	331/32314	Bracket engine harness support	1
27	1315/0301Z	Screw Hexagon M8 X 12mm	2
28	1420/0007Z	Washer (M8)	2
29	02/202961	Plug	1

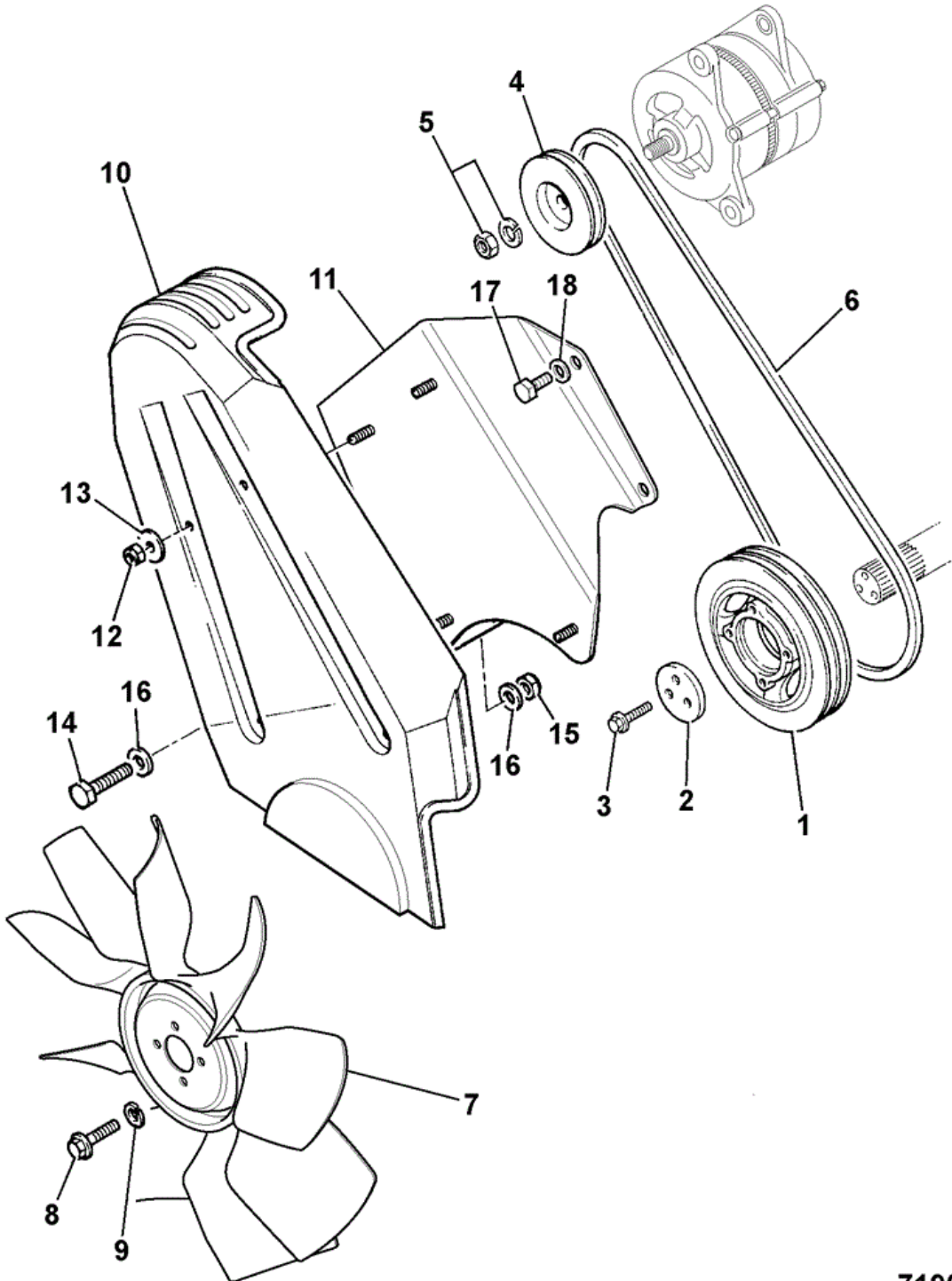
JCB 9802/7240 R1-4-1 CRANKSHAFT, BEARINGS PISTONS &
 CON-RODS RG & RJ BUILD



Item	Part #	Change No	Description	Usage Code	QTY
1	02/202910		Crankshaft assembly		1

2	:02/202911	Kit-main bearing standard	1
2	02/202912	Kit-main bearing u/s 0.25mm	0
2	02/202913	Kit-main bearing u/s 0.50mm	0
2	02/202914	Kit-main bearing undersize (+)0.030"	0
2A	02/203172	Kit-main bearing standard oversize	0
2A	02/203173	Kit-main bearing oversize - 0.25mm	0
2A	02/203174	Kit-main bearing oversize - 0.50mm	0
2A	02/203175	Kit-main bearing oversize - 0.75mm	0
3	:02/202915	Kit-big end bearing standard	1
3	02/202916	Kit-big end bearing oversize - (+)0.010"	0
3	02/202917	Kit-big end bearing u/s 0.50mm	0
3	02/202918	Kit-big end bearing oversize - (+)0.030"	1
3A	02/203251	Kit-big end bearing Standard	0
3A	02/203252	Kit-big end bearing undersize (-)0.010"	0
3A	02/203253	Kit-big end bearing undersize (-)0.020"	0
3A	02/203254	Kit-big end bearing undersize (-)0.030"	0
4	:02/192083	Washer thrust top - standard	2
4	02/192011	Washer thrust top-oversize 0.19mm	0
5	:02/192084	Washer thrust bottom - standard	2
5	02/192013	Washer thrust btm-oversize 0.19mm	0
6	02/202919	Gear crankshaft	1
7	02/100038	Key	1
8	02/202922	Kit-conrod grade 'F' RED	4
8	02/202923	Kit-conrod grade 'G' ORANGE	0
8	02/202924	Kit-conrod grade 'H' WHITE	0
8	02/202925	Kit-conrod grade 'J' GREEN	0
8	02/202926	Kit-conrod grade 'K' PURPLE	0
8	02/202927	Kit-conrod grade 'L' BLUE	0
9	:02/202929	Bolt conrod	2
10	:02/202928	Bush small end	1
11	02/202920	Kit-piston & rings	4
11	02/203221	Kit-piston & rings oversize 0.5mm	0
11	02/203223	Kit-piston & rings oversize 1.0mm	0
12	****	None serviced part	1
13	:02/201151	Circlip	2
14	:02/202921	Kit-piston ring	1

JCB 9802/7240 R1-5-1 FANS, PULLEYS & FAN BELT RG & RJ
 BUILD



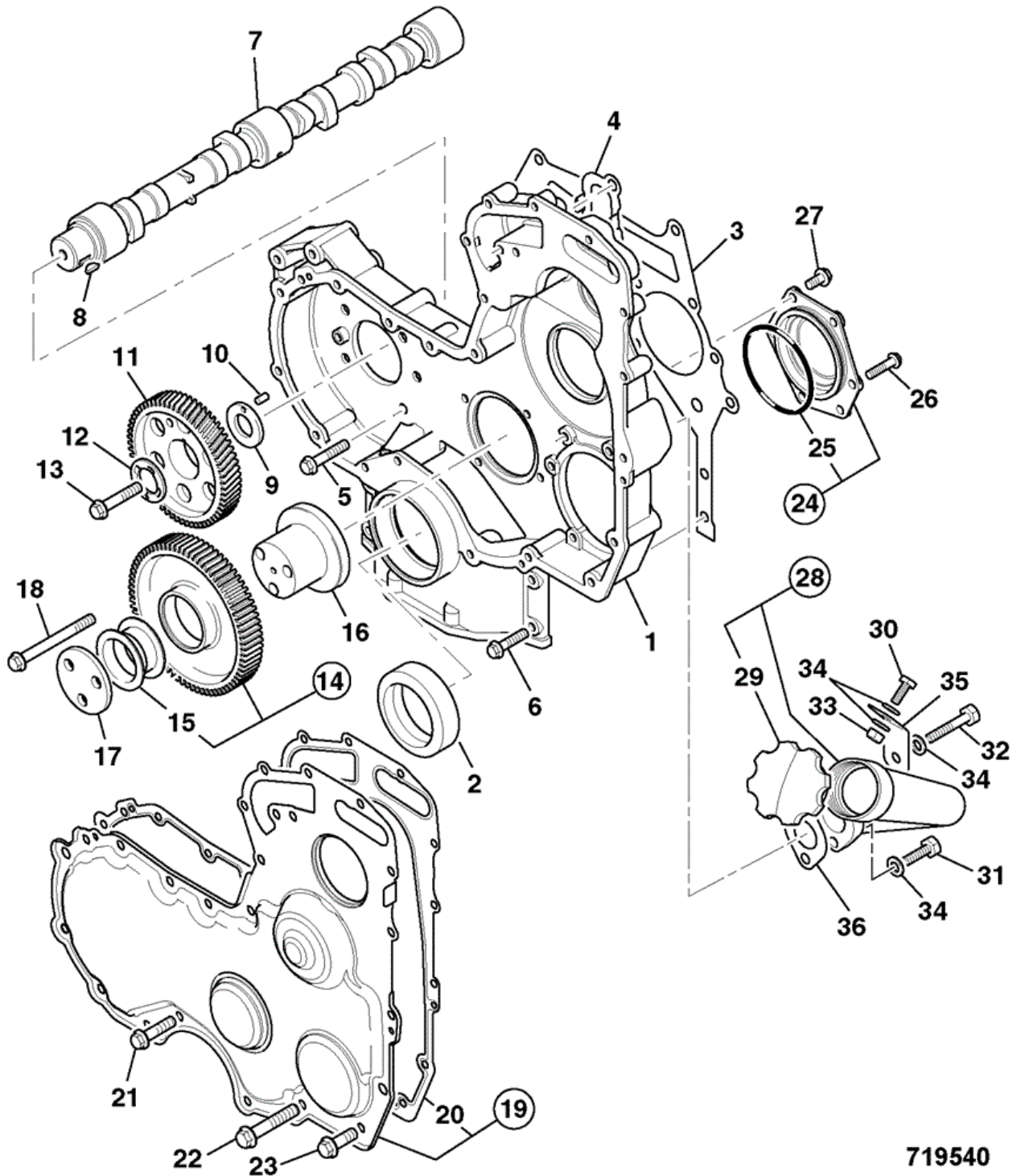
719080

Item	Part #	Change No	Description	Usage Code	QTY
1	02/200018		Pulley crankshaft twin groove		1

2	02/200017	Block Thrust	1
3	02/100579	Screw	3
4	02/202443	Pulley alternator D=86mm twin groove	1
5	714/20405	Kit-sundry parts	1
6	02/203141	Belt fan (pair)	1
7	30/925525	Fan 22"(558mm) cooling 9 blade <i>See Note 1</i>	1
7A	331/52882	Plate fan hub spreader	1
8	1305/0105Z	Bolt	1
9	1416/0005Z	Washer spring - 5/16" Zinc plated	1
10	162/03597	Guard alternator	1
11	335/04743	Bracket mounting pulley cover	1
12	826/01728	Nut nyloc	4
13	1412/0001Z	Washer 1/4" Large	4
14	1315/3716Z	Bolt M16 x 70mm	1
15	1370/0603Z	Nut lock M16	1
16	1420/0011Z	Washer (M16)	2
17	1315/0405Z	Setscrew M10 x 20 mm	2
18	1420/0008Z	Washer (M10)	2

Note 1: When replacing this Fan, Spreader item number 7A must also be fitted.

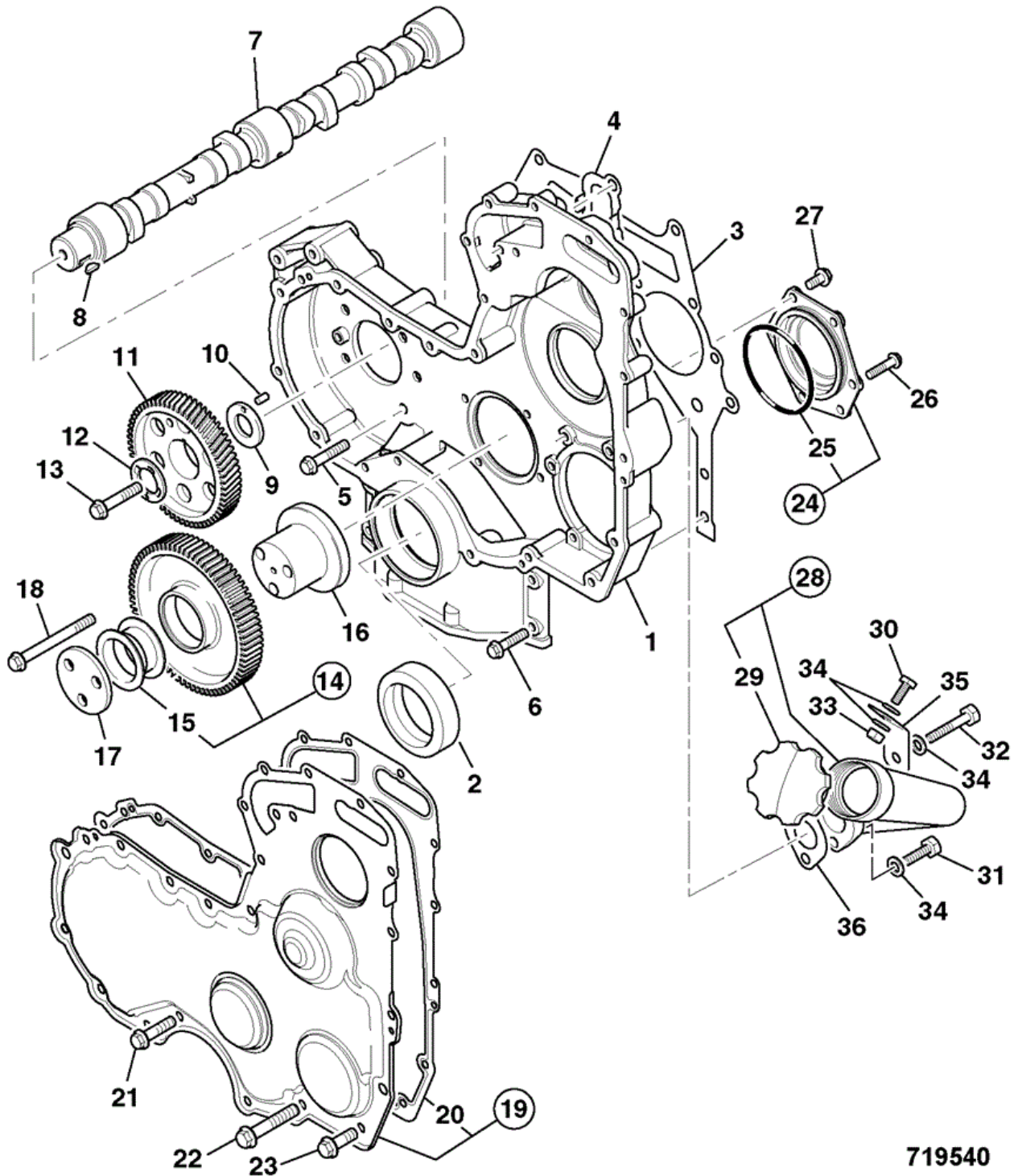
JCB 9802/7240 R1-6-1 TIMING CASE CAMSHAFT & GEARS RG
 BUILD



Item	Part #	Change No	Description	Usage Code	QTY
1	02/203050		Casing timing		1

2	02/101435		Seal front oil	1
3	02/202984		Gasket timing case to block	1
4	02/202983		Gasket timing case	1
5	826/00869		Screw flange head	8
6	02/291033		Bolt	4
7	02/203075		Camshaft	1
8	02/100038		Key	1
9	02/291065		Washer	1
10	2102/0604		Dowel	1
11	02/203049		Gear camshaft	1
12	02/203047		Washer thrust	1
13	02/291196		Screw	1
14	02/203110		Gear idler	1
15	:02/192016		Bush	2
16	02/100041		Hub	1
17	02/201288		Plate	1
18	02/291073		Screw	3
19	:02/202993		Cover timing	1
20	:02/202994		Gasket timing cover	1
21	02/291016		Screw	9
22	02/291025		Bolt (M8 x 65)	5
23	826/00901		Screw	1
24	02/202995		Plate blanking	1
25	:02/202996		O Ring	1
26	02/291031		Bolt	5
27	826/00901		Screw	1
28	01/180023		Filler lubricating oil assembly	1
29	02/201343		Cap oil filler	1
30	1315/0305Z		Setscrew M8 x 20	1
31	1318/0308Z		Bolt locking M8X30	1
32	1318/3314Z		Bolt locking M8X50	1
33	1370/0203Z		Nut Nut M8	1
34	1420/0007Z		Washer (M8)	4
35	331/40191		Bracket dipstick tube	1
36	813/10253		Gasket	1

JCB 9802/7240 R1-6-2 TIMING CASE CAMSHAFT & GEARS RJ
 BUILD 121BHP

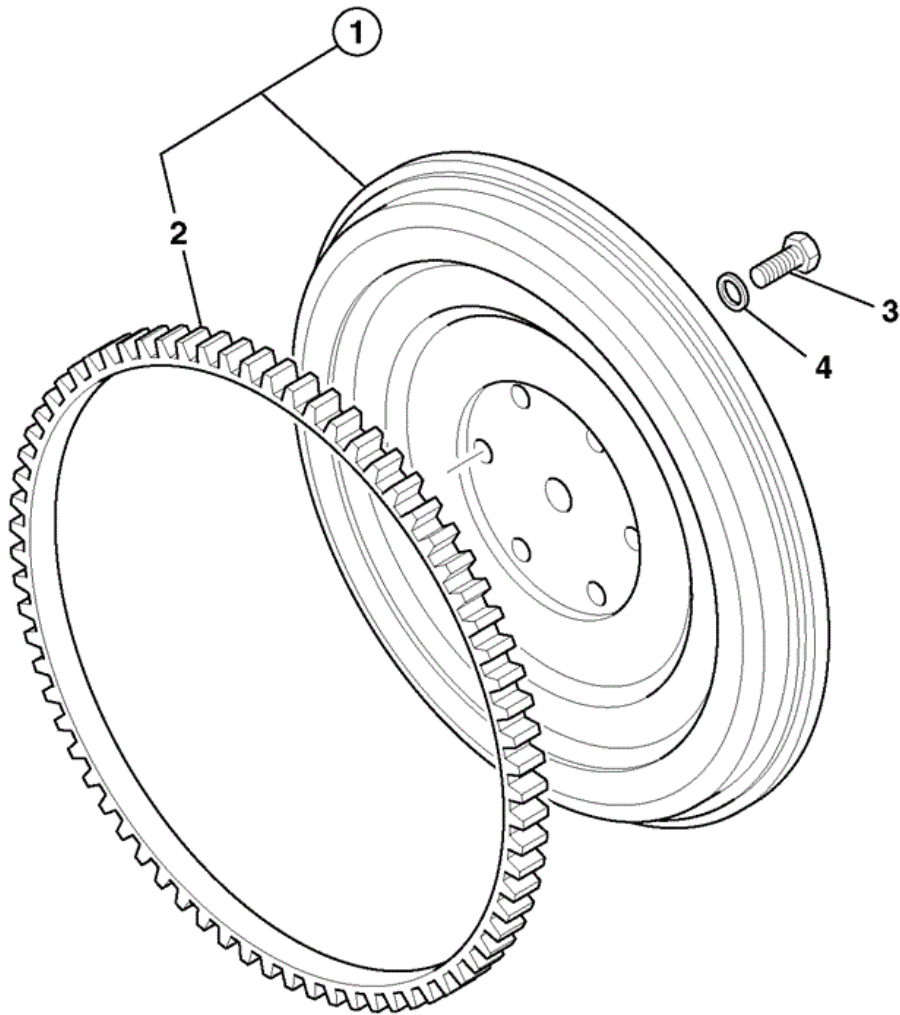


Item	Part #	Change No	Description	Usage Code	QTY
1	02/203050		Casing timing		1

2	02/101435		Seal front oil	1
3	02/202984		Gasket timing case to block	1
4	02/202983		Gasket timing case	1
5	826/00869		Screw flange head	8
6	02/291033		Bolt	4
7	02/202958		Camshaft	1
8	02/100038		Key	1
9	02/291065		Washer	1
10	2102/0604		Dowel	1
11	02/203049		Gear camshaft	1
12	02/203047		Washer thrust	1
13	02/291196		Screw	1
14	02/203048		Gear idler	1
15	:02/192016		Bush	2
16	02/100041		Hub	1
17	02/201288		Plate	2
18	02/291073		Screw	3
19	:02/202993		Cover timing	2
20	:02/202994		Gasket timing cover	1
21	02/291016		Screw	9
22	02/291025		Bolt (M8 x 65)	5
23	826/00901		Screw	1
24	02/202995		Plate blanking	1
25	:02/202996		O Ring	1
26	02/291031		Bolt	5
27	826/00901		Screw	1
28	01/180023		Filler lubricating oil assembly	1
29	02/201343		Cap oil filler	1
30	1315/0305Z		Setscrew M8 x 20	1
31	1318/0308Z		Bolt locking M8X30	1
32	1318/3314Z		Bolt locking M8X50	1
33	1370/0203Z		Nut Nut M8	1
34	1420/0007Z		Washer (M8)	4
35	331/40191		Bracket dipstick tube	1
36	813/10253		Gasket	1



9802/7240 R1-7-1 FLYWHEEL & STARTER RING GEAR RG & RJ BUILD

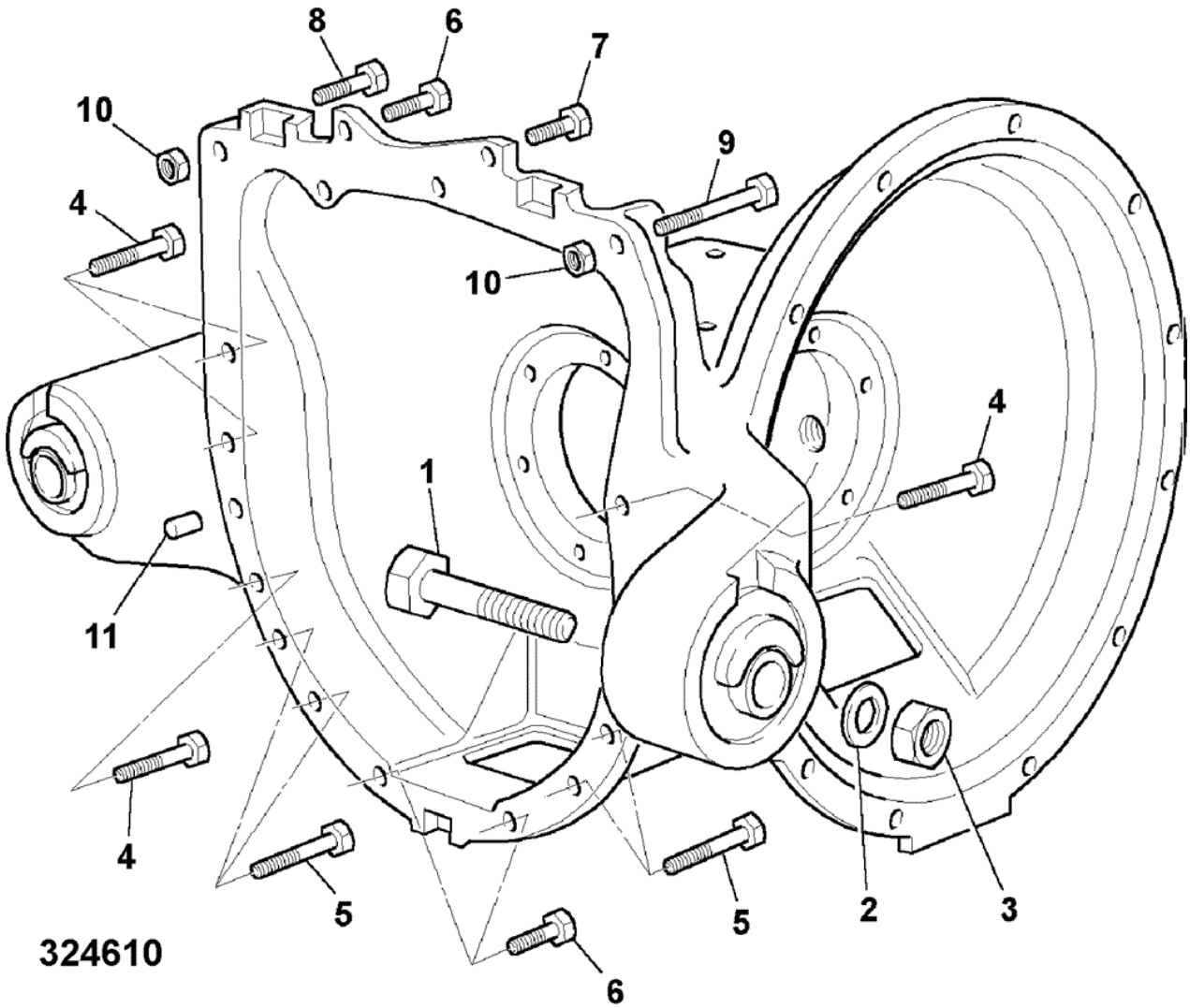


425660

Item	Part #	Change No	Description	Usage Code	QTY
1	02/201408		Flywheel assembly		1

2	:02/100078		Gear starter ring		1
3	1305/0409		Bolt 1/2UNF		10
4	02/200725		Washer		10

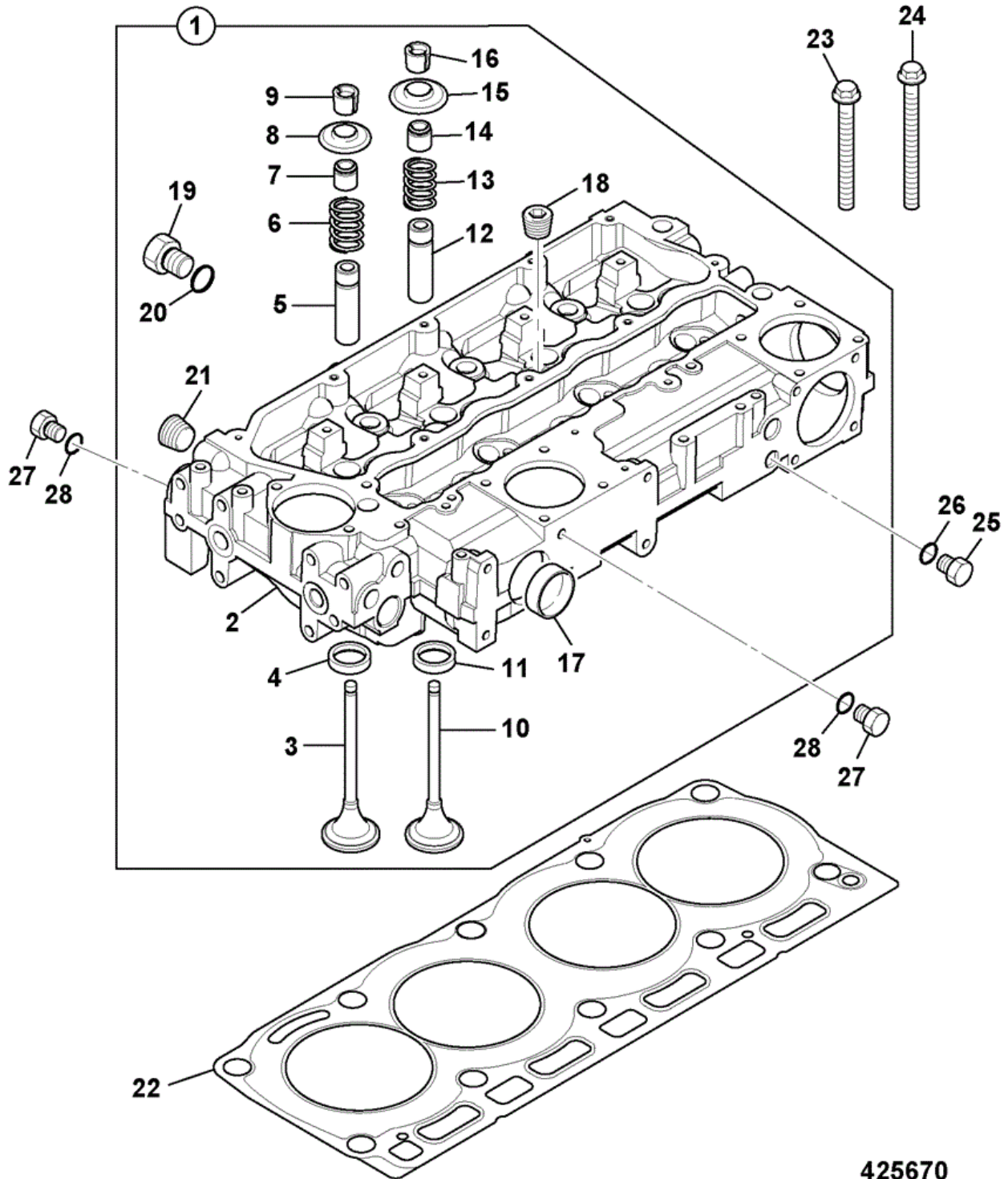
JCB 9802/7240 R1-8-1 ENGINE MOUNTING BOLTS RG & RJ
 BUILD



324610

Item	Part #	Change No	Description	Usage Code	QTY
1	1315/4023Z		Bolt M24 X 130		3
2	1420/0014Z		Washer M24		3
3	1370/0901Z		Nut (M24)		3
4	1315/3514Z		Bolt M12 x 60mm		5
5	1315/3516Z		Bolt M12 x 70mm		4
6	1315/0511Z		Bolt M12 x 45mm		3
7	1315/0509Z		Setscrew M12 x 35mm		1
8	1315/3512Z		Bolt M12 x 50mm		1
9	1315/3520Z		Bolt M12 x 100mm		1
10	1370/0403Z		Nut Lock, M12		2
11	02/101370		Dowel		2

JCB 9802/7240 R2-1-1 CYLINDER HEAD RG BUILD



425670

Item	Part #	Change No	Description	Usage Code	QTY
1	02/202940		Head cylinder assembly		1
2	****		None serviced part		1
3	:02/202941		Valve inlet		4

4	:02/202938		Insert inlet valve	4
5	:02/201812		Guide valve	4
6	:02/202934		Spring valve	4
7	:02/202936		Seal valve stem brown	4
8	:02/202937		Cap valve	4
9	:02/201515		Collet	8
10	:02/202942		Valve exhaust	4
11	:02/202939		Insert exhaust valve	4
12	:02/201812		Guide valve	4
13	:02/202934		Spring valve	4
14	:02/202936		Seal valve stem brown	4
15	:02/202937		Cap valve	4
16	:02/201515		Collet	8
17	:02/100107		Plug core D=50mm	2
18	:02/100134		Plug	4
19	:02/202943		Plug	1
20	:02/202944		O Ring	1
21	:02/100095		Plug taper	2
22	02/203147		Gasket cylinder head	1
23	02/202946		Bolt cylinder head	7
24	02/202947		Bolt cylinder head	3
25	02/202959		Plug	1
26	02/202960		O Ring	1
27	02/202943		Plug	2
28	02/202944		O Ring	2

Thank you so much for reading.
Please click the “Buy Now!”
button below to download the
complete manual.



After you pay.

You can download the most
perfect and complete manual in
the world immediately.

Our support email:

ebooklibonline@outlook.com