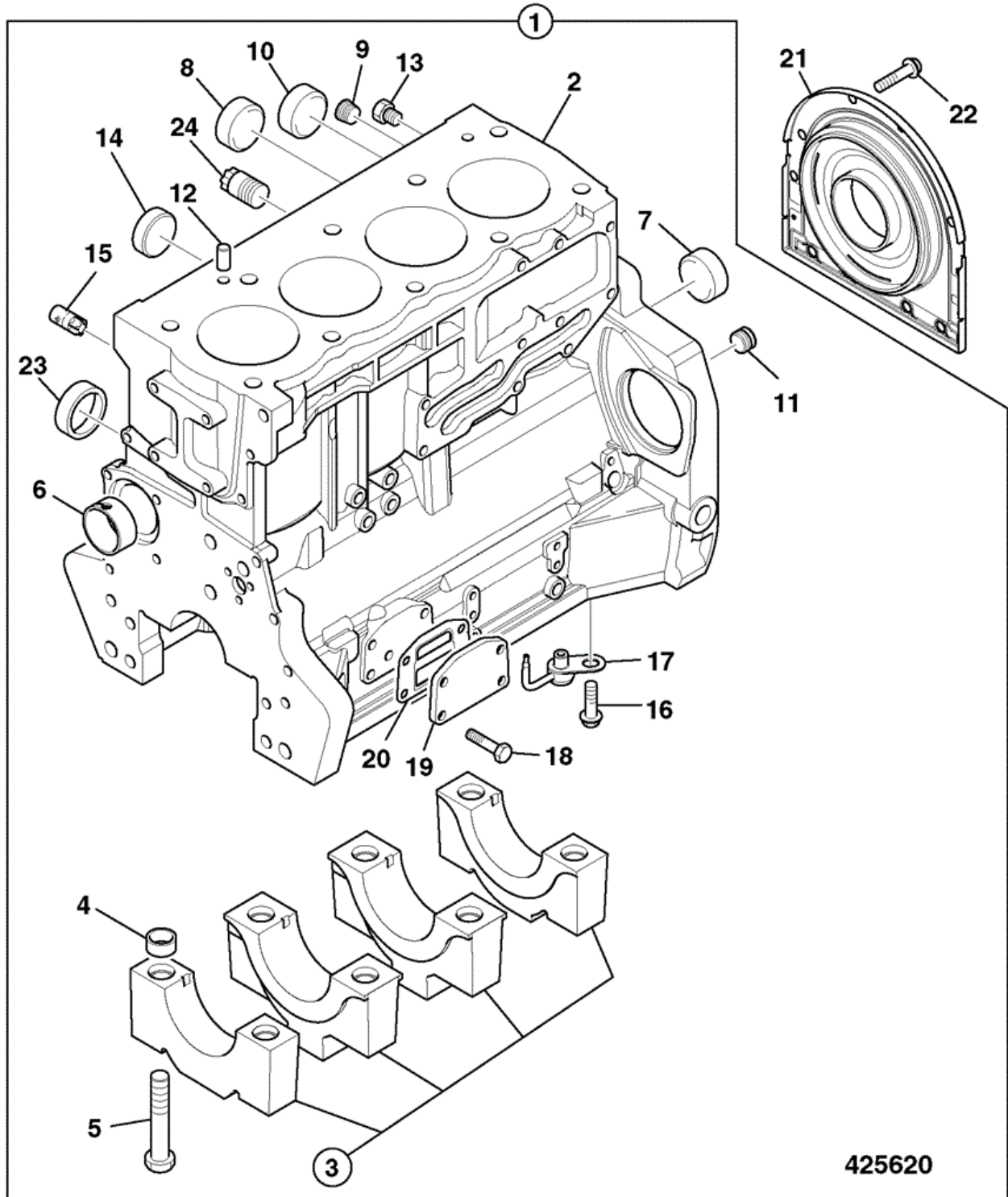




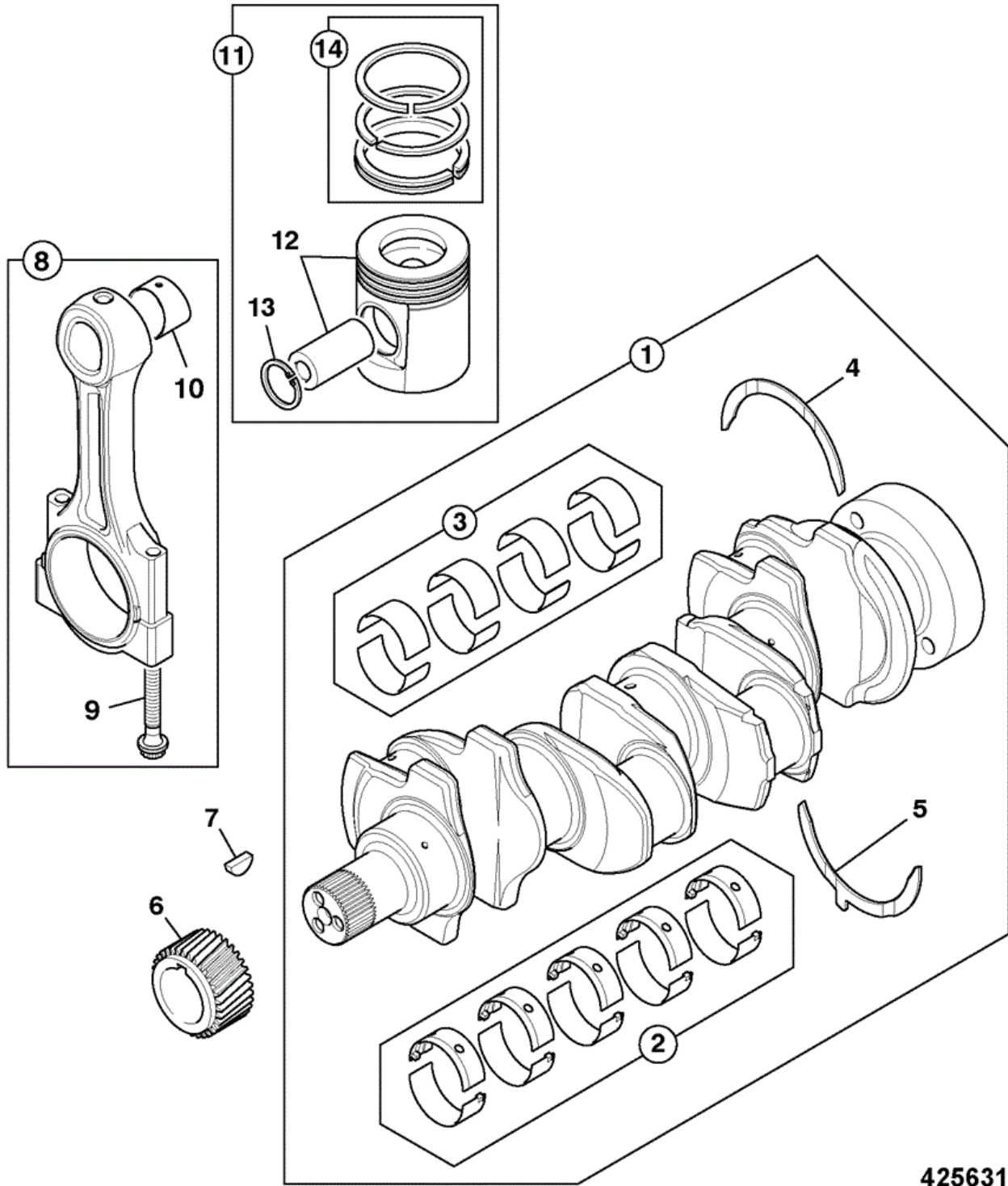
9802/7020 P1-3-1 BLOCK ASSEMBLY RJ BUILD



| Item | Part # | Change No | Description | Usage Code | QTY |
|------|-----------|-----------|-------------------------|------------|-----|
| 1 | 02/202900 | | Block cylinder assembly | | 1 |
| 2 | **** | | None serviced part | | 1 |
| 3 | **** | | None serviced part | | 1 |

| | | | |
|----|------------|-------------------------------------|----|
| 4 | :02/100101 | Thimble | 10 |
| 5 | :02/100102 | Bolt | 10 |
| 6 | :02/202901 | Bush camshaft | 1 |
| 7 | :02/202902 | Plug | 1 |
| 8 | :02/202903 | Plug | 2 |
| 9 | :02/100134 | Plug | 1 |
| 10 | :02/100396 | Plug core D=32mm | 1 |
| 11 | :02/202904 | Plug | 1 |
| 12 | :02/201818 | Dowel | 2 |
| 13 | :02/202905 | Plug | 2 |
| 14 | :02/202906 | Plug | 1 |
| 15 | 02/202907 | Plug | 1 |
| 16 | :02/291178 | Screw | 4 |
| 17 | :02/202908 | Jet piston cooling | 4 |
| 18 | :02/291032 | Bolt M8 x 20mm | 4 |
| 19 | :02/202909 | Plate blanking | 1 |
| 20 | :02/202931 | Gasket oil filter head to cyl/block | 1 |
| 21 | 02/202935 | Housing & rear oil seal assembly | 1 |
| 22 | 826/10721 | Bolt torx head drive | 8 |
| 23 | 02/202961 | Plug | 1 |
| 24 | 02/202997 | Plug | 1 |

JCB 9802/7020 P1-4-1 CRANKSHAFT, BEARINGS PISTONS & CON-RODS RJ BUILD



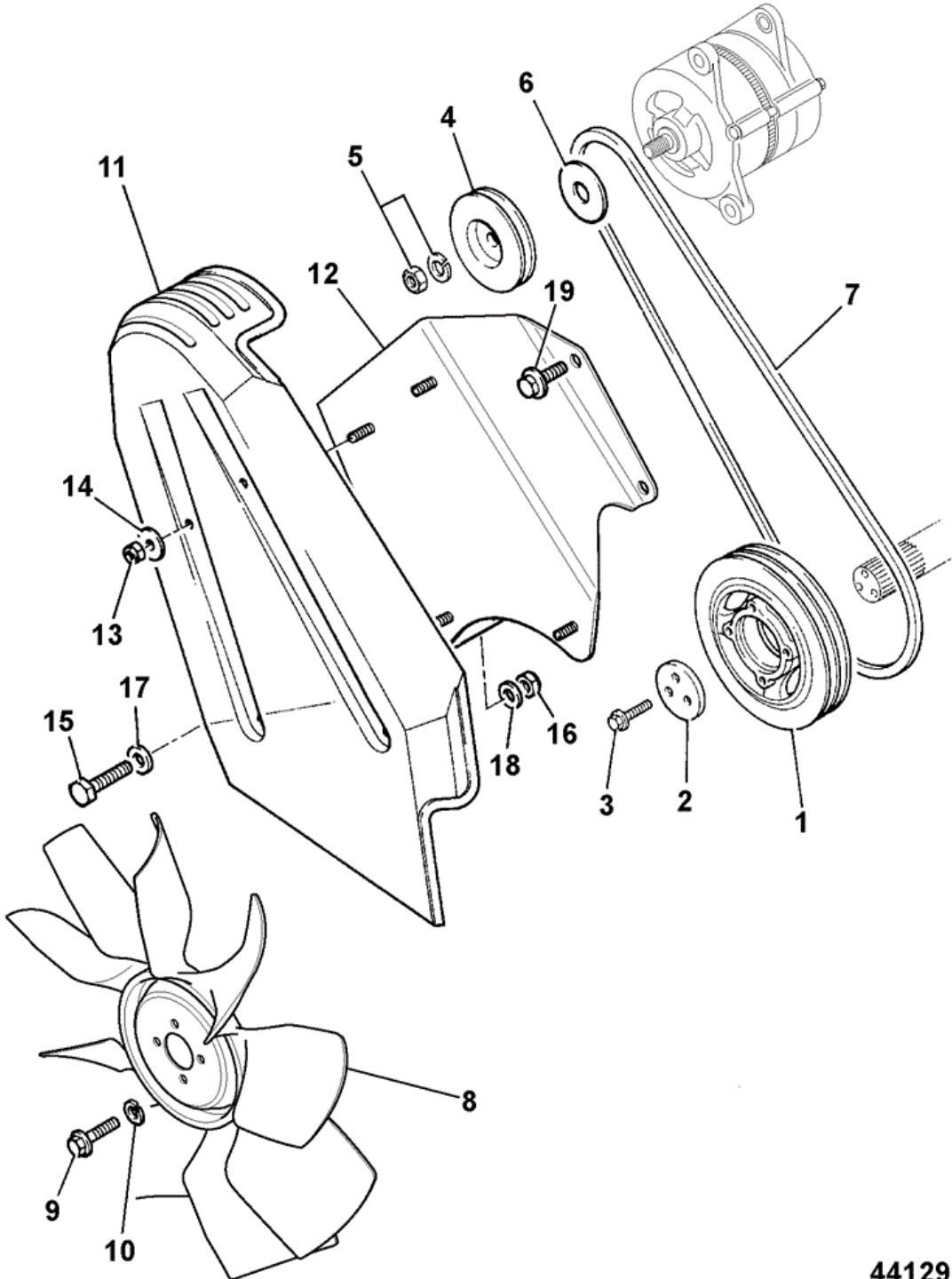
425631

| Item | Part # | Change No | Description | Usage Code | QTY |
|------|-----------|-----------|---------------------|------------|-----|
| 1 | 02/202910 | | Crankshaft assembly | | 1 |

| | | | |
|----|------------|--|---|
| 2 | :02/202911 | Kit-main bearing standard | 1 |
| 2 | 02/202912 | Kit-main bearing u/s 0.25mm | 0 |
| 2 | 02/202913 | Kit-main bearing u/s 0.50mm | 0 |
| 2 | 02/202914 | Kit-main bearing undersize (+)0.030" | 0 |
| 2A | 02/203172 | Kit-main bearing standard oversize | 0 |
| 2A | 02/203173 | Kit-main bearing oversize - 0.25mm | 0 |
| 2A | 02/203174 | Kit-main bearing oversize - 0.50mm | 0 |
| 2A | 02/203175 | Kit-main bearing oversize - 0.75mm | 0 |
| 3 | :02/202915 | Kit-big end bearing standard | 1 |
| 3 | 02/202916 | Kit-big end bearing oversize - (+)0.010" | 0 |
| 3 | 02/202917 | Kit-big end bearing u/s 0.50mm | 0 |
| 3 | 02/202918 | Kit-big end bearing oversize - (+)0.030" | 1 |
| 3A | 02/203251 | Kit-big end bearing Standard | 0 |
| 3A | 02/203252 | Kit-big end bearing undersize (-)0.010" | 0 |
| 3A | 02/203253 | Kit-big end bearing undersize (-)0.020" | 0 |
| 3A | 02/203254 | Kit-big end bearing undersize (-)0.030" | 0 |
| 4 | :02/192083 | Washer thrust top - standard | 2 |
| 4 | 02/192011 | Washer thrust top-oversize 0.19mm | 0 |
| 5 | :02/192084 | Washer thrust bottom - standard | 2 |
| 5 | 02/192013 | Washer thrust btm-oversize 0.19mm | 0 |
| 6 | 02/202919 | Gear crankshaft | 1 |
| 7 | 02/100038 | Key | 1 |
| 8 | 02/202922 | Kit-conrod grade 'F' RED | 4 |
| 8 | 02/202923 | Kit-conrod grade 'G' ORANGE | 0 |
| 8 | 02/202924 | Kit-conrod grade 'H' WHITE | 0 |
| 8 | 02/202925 | Kit-conrod grade 'J' GREEN | 0 |
| 8 | 02/202926 | Kit-conrod grade 'K' PURPLE | 0 |
| 8 | 02/202927 | Kit-conrod grade 'L' BLUE | 0 |
| 9 | :02/202929 | Bolt conrod | 1 |
| 10 | :02/202928 | Bush small end | 2 |
| 11 | 02/202920 | Kit-piston & rings | 4 |
| 11 | 02/203221 | Kit-piston & rings oversize 0.5mm | 0 |
| 11 | 02/203223 | Kit-piston & rings oversize 1.0mm | 0 |
| 12 | **** | None serviced part | 1 |
| 13 | :02/201151 | Circlip | 2 |
| 14 | :02/202921 | Kit-piston ring | 1 |



9802/7020 P1-5-1 FANS, PULLEYS & FAN BELT RJ BUILD



441291

| Item | Part # | Change No | Description | Usage Code | QTY |
|------|-----------|-----------|-------------------------------|------------|-----|
| 1 | 02/200018 | | Pulley crankshaft twin groove | | 1 |
| 2 | 02/200017 | | Block Thrust | | 1 |
| 3 | 02/100579 | | Screw | | 3 |

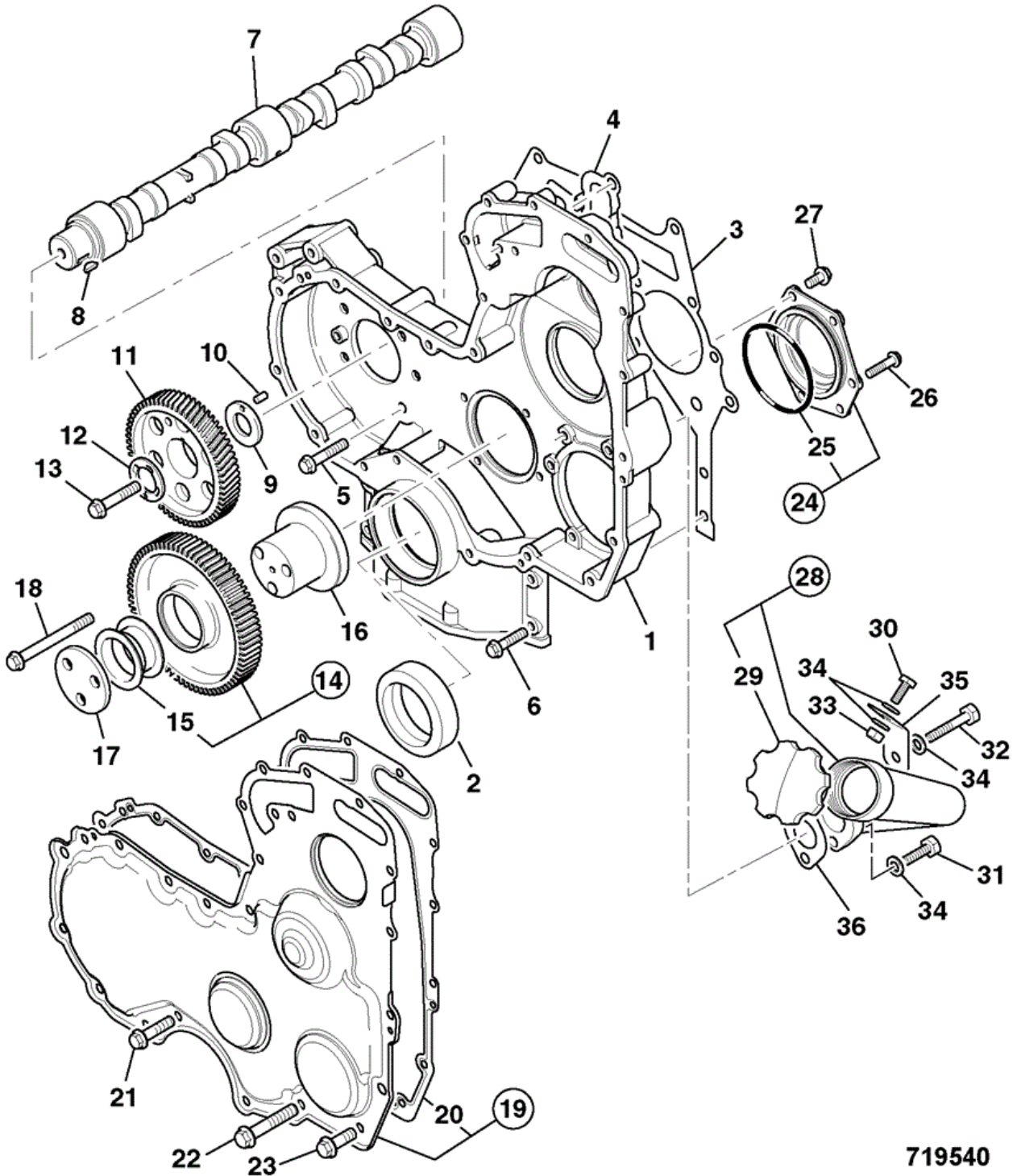
| | | | |
|----|------------|---|---|
| 4 | 02/202437 | Pulley alternator D=86mm single groove <i>65AMP Alternator</i> | 1 |
| 4 | 02/202438 | Pulley alternator D=73mm single groove <i>85AMP Alternator</i> | 1 |
| 5 | 714/20405 | Kit-sundry parts | 1 |
| 6 | 714/16711 | Washer fan support <i>Sealed Alternator option only</i> | 1 |
| 7 | 02/201910 | Belt fan, pair | 1 |
| 8 | 30/925525 | Fan 22"(558mm) cooling 9 blade <i>See Note 1</i> | 1 |
| 8A | 331/52882 | Plate fan hub spreader | 1 |
| 9 | 1305/0105Z | Bolt | 4 |
| 10 | 1416/0005Z | Washer spring - 5/16" Zinc plated | 4 |
| 11 | 162/03237 | Cover pulley | 1 |
| 12 | 335/04743 | Bracket mounting pulley cover | 1 |
| 13 | 1370/0103Z | Nut Self Lock M6 | 4 |
| 14 | 1411/0001Z | Washer (1/4" Medium) | 4 |
| 15 | 1315/3716Z | Bolt M16 x 70mm | 1 |
| 16 | 1370/0603Z | Nut lock M16 | 1 |
| 17 | 1412/0007Z | Washer | 1 |
| 18 | 1410/0007Z | Washer (5/8" Small) | 1 |
| 19 | 02/291038 | Bolt | 1 |

Note 1: When replacing this Fan, Spreader item number 8A must also be fitted.



9802/7020 P1-6-1 TIMING CASE CAMSHAFT & GEARS RJ

BUILD



719540

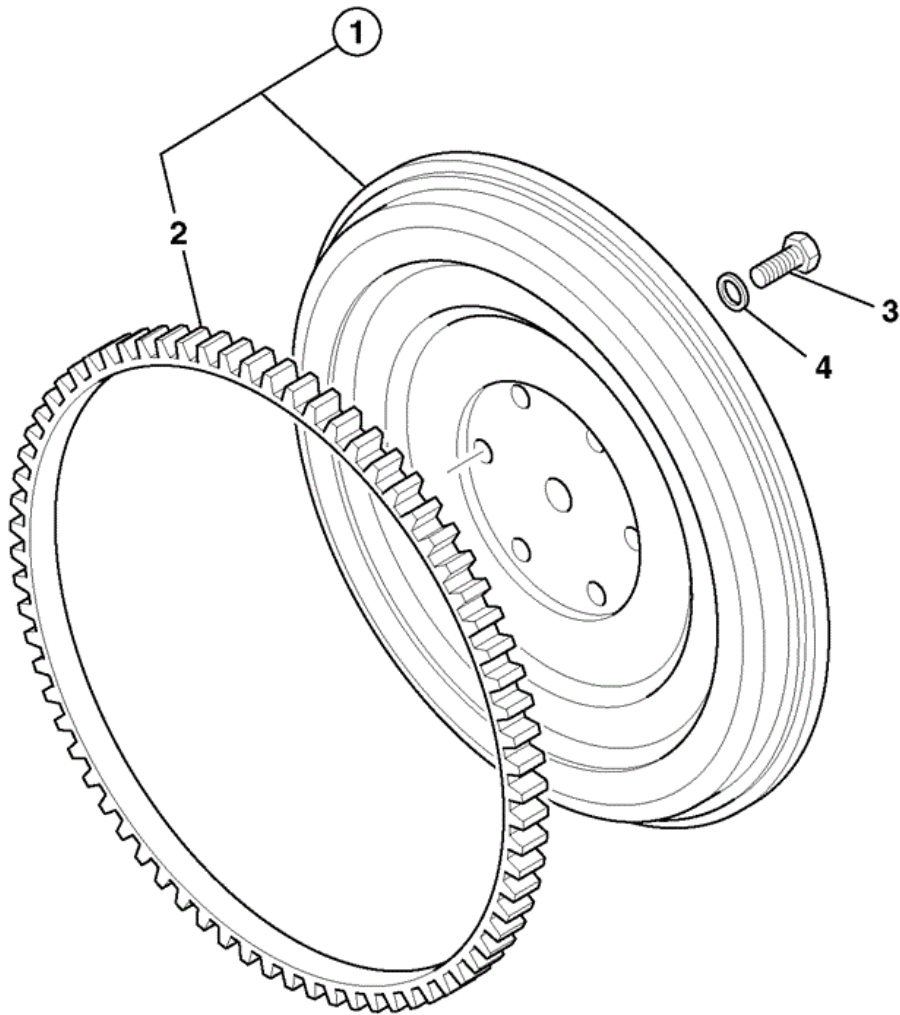
| Item | Part # | Change No | Description | Usage Code | QTY |
|------|-----------|-----------|---------------|------------|-----|
| 1 | 02/203050 | | Casing timing | | 1 |

| | | | | |
|----|------------|--|---------------------------------|---|
| 2 | 02/101435 | | Seal front oil | 1 |
| 3 | 02/202984 | | Gasket timing case to block | 1 |
| 4 | 02/202983 | | Gasket timing case | 1 |
| 5 | 826/00869 | | Screw flange head | 8 |
| 6 | 02/291033 | | Bolt | 4 |
| 7 | 02/202958 | | Camshaft | 1 |
| 8 | 02/100038 | | Key | 1 |
| 9 | 02/291065 | | Washer | 1 |
| 10 | 2102/0604 | | Dowel | 1 |
| 11 | 02/203049 | | Gear camshaft | 1 |
| 12 | 02/203047 | | Washer thrust | 1 |
| 13 | 02/291196 | | Screw | 1 |
| 14 | 02/203048 | | Gear idler | 1 |
| 15 | :02/192016 | | Bush | 2 |
| 16 | 02/100041 | | Hub | 1 |
| 17 | 02/201288 | | Plate | 2 |
| 18 | 02/291073 | | Screw | 3 |
| 19 | :02/202993 | | Cover timing | 2 |
| 20 | :02/202994 | | Gasket timing cover | 1 |
| 21 | 02/291016 | | Screw | 9 |
| 22 | 02/291025 | | Bolt (M8 x 65) | 5 |
| 23 | 826/00901 | | Screw | 1 |
| 24 | 02/202995 | | Plate blanking | 1 |
| 25 | :02/202996 | | O Ring | 1 |
| 26 | 02/291031 | | Bolt | 5 |
| 27 | 826/00901 | | Screw | 1 |
| 28 | 01/180023 | | Filler lubricating oil assembly | 1 |
| 29 | 02/201343 | | Cap oil filler | 1 |
| 30 | 1315/0305Z | | Setscrew M8 x 20 | 1 |
| 31 | 1315/0308Z | | Setscrew M8 x 30 | 1 |
| 32 | 1318/3314Z | | Bolt locking M8X50 | 1 |
| 33 | 1370/0203Z | | Nut Nut M8 | 1 |
| 34 | 1420/0007Z | | Washer (M8) | 4 |
| 35 | 331/40191 | | Bracket dipstick tube | 1 |
| 36 | 813/10253 | | Gasket | 1 |



9802/7020 P1-7-1 FLYWHEEL & STARTER RING GEAR RJ

BUILD



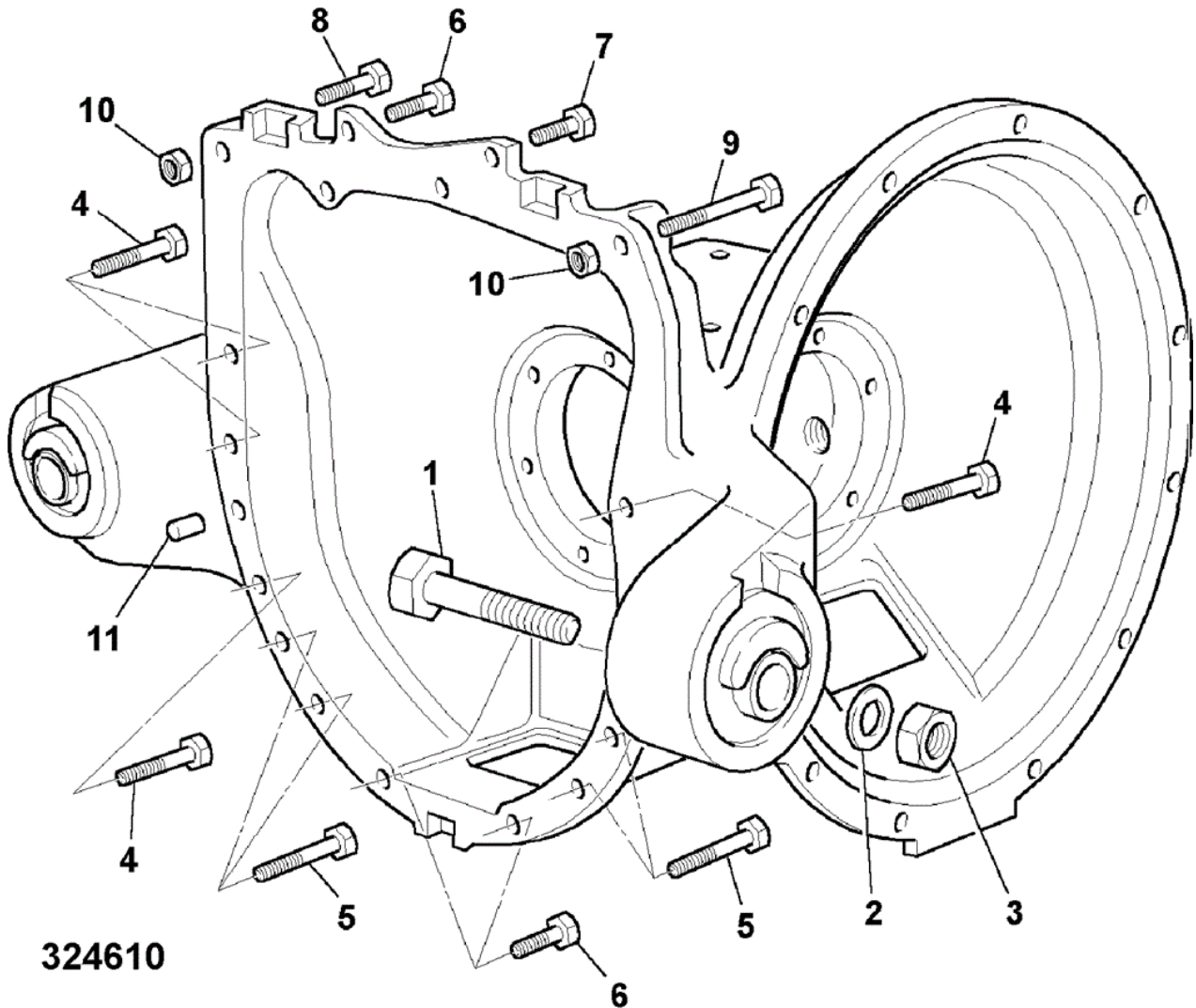
425660

| Item | Part # | Change No | Description | Usage Code | QTY |
|------|-----------|-----------|-------------------|------------|-----|
| 1 | 02/201408 | | Flywheel assembly | | 1 |

| | | | | | |
|---|------------|--|-------------------|--|---|
| 2 | :02/100078 | | Gear starter ring | | 1 |
| 3 | 1305/0409 | | Bolt 1/2UNF | | 6 |
| 4 | 02/200725 | | Washer | | 6 |



9802/7020 P1-8-1 ENGINE MOUNTING BOLTS

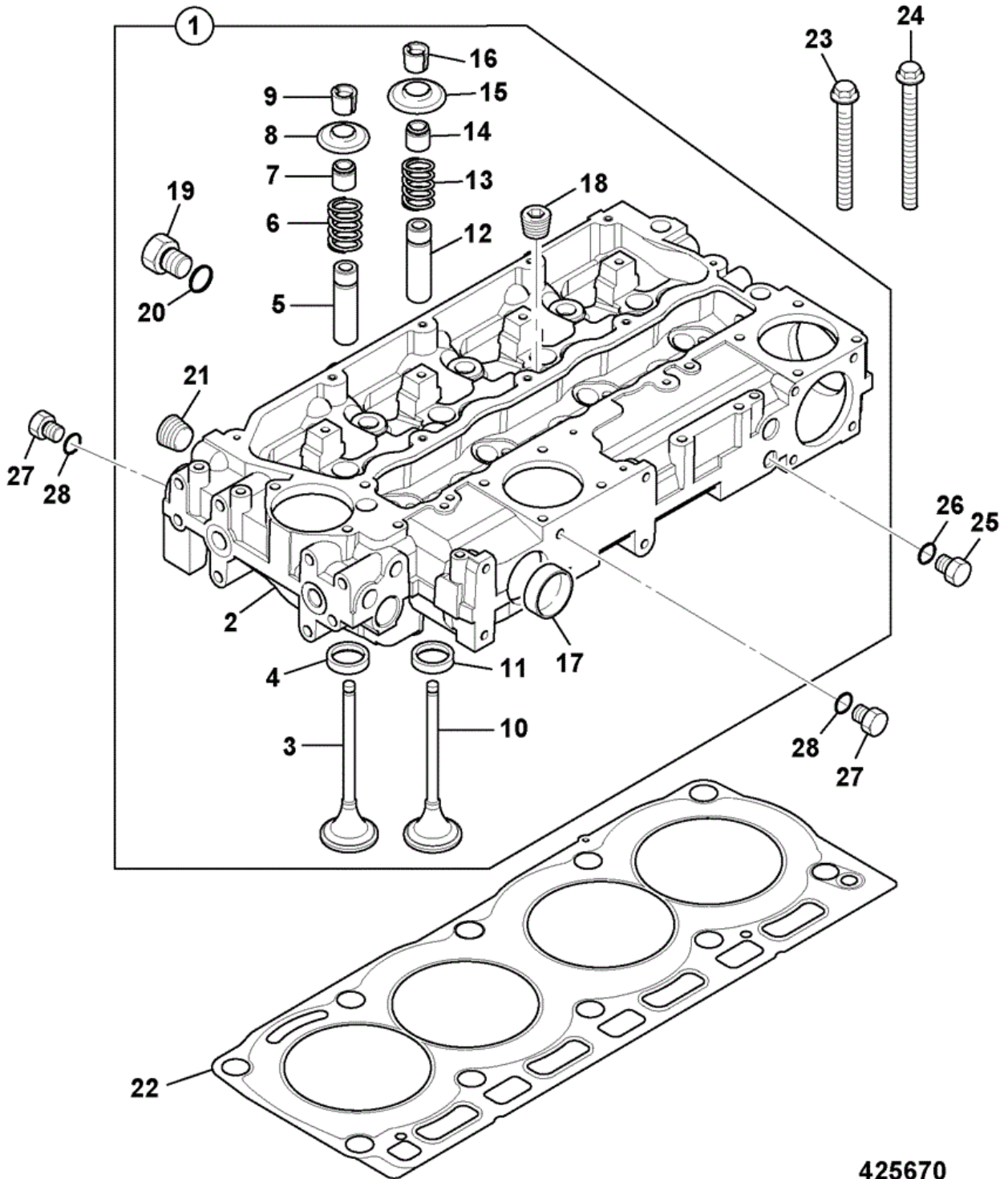


324610

| Item | Part # | Change No | Description | Usage Code | QTY |
|------|------------|-----------|---------------------|------------|-----|
| 1 | 1315/4023Z | | Bolt M24 X 130 | | 3 |
| 2 | 1420/0014Z | | Washer M24 | | 3 |
| 3 | 1370/0901Z | | Nut (M24) | | 3 |
| 4 | 1315/3514Z | | Bolt M12 x 60mm | | 5 |
| 5 | 1315/3516Z | | Bolt M12 x 70mm | | 4 |
| 6 | 1315/0511Z | | Bolt M12 x 45mm | | 3 |
| 7 | 1315/0509Z | | Setscrew M12 x 35mm | | 1 |
| 8 | 1315/3512Z | | Bolt M12 x 50mm | | 1 |
| 9 | 1315/3520Z | | Bolt M12 x 100mm | | 1 |
| 10 | 1370/0403Z | | Nut Lock, M12 | | 2 |
| 11 | 02/101370 | | Dowel | | 2 |



9802/7020 P2-1-1 CYLINDER HEAD RJ BUILD



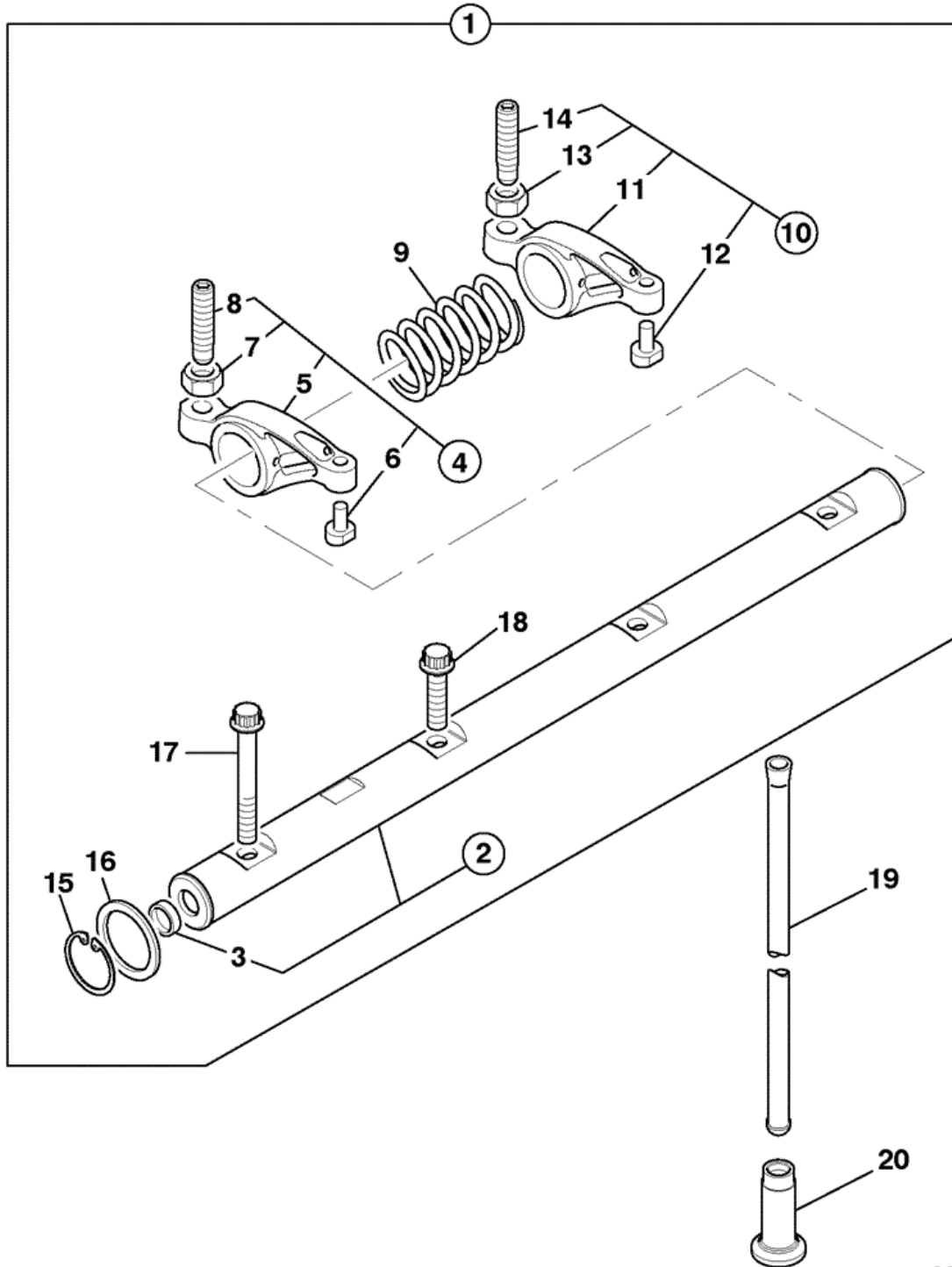
425670

| Item | Part # | Change No | Description | Usage Code | QTY |
|------|------------|-----------|------------------------|------------|-----|
| 1 | 02/202940 | | Head cylinder assembly | | 1 |
| 2 | **** | | None serviced part | | 1 |
| 3 | :02/202941 | | Valve inlet | | 4 |

| | | | | |
|----|------------|--|-----------------------|---|
| 4 | :02/202938 | | Insert inlet valve | 4 |
| 5 | :02/201812 | | Guide valve | 4 |
| 6 | :02/202934 | | Spring valve | 4 |
| 7 | :02/202936 | | Seal valve stem brown | 4 |
| 8 | :02/202937 | | Cap valve | 4 |
| 9 | :02/201515 | | Collet | 4 |
| 10 | :02/202942 | | Valve exhaust | 4 |
| 11 | :02/202939 | | Insert exhaust valve | 4 |
| 12 | :02/201812 | | Guide valve | 4 |
| 13 | :02/202934 | | Spring valve | 4 |
| 14 | :02/202936 | | Seal valve stem brown | 4 |
| 15 | :02/202937 | | Cap valve | 4 |
| 16 | :02/201515 | | Collet | 4 |
| 17 | :02/100107 | | Plug core D=50mm | 2 |
| 18 | :02/100134 | | Plug | 4 |
| 19 | :02/202943 | | Plug | 1 |
| 20 | :02/202944 | | O Ring | 1 |
| 21 | :02/100095 | | Plug taper | 1 |
| 22 | 02/202945 | | Gasket cylinder head | 1 |
| 23 | 02/202946 | | Bolt cylinder head | 7 |
| 24 | 02/202947 | | Bolt cylinder head | 3 |
| 25 | 02/202959 | | Plug | 1 |
| 26 | 02/202960 | | O Ring | 1 |
| 27 | 02/202943 | | Plug | 2 |
| 28 | 02/202944 | | O Ring | 2 |



9802/7020 P2-2-1 ROCKER ASSEMBLY PUSH RODS & TAPPETS RJ BUILDS



425681

| Item | Part # | Change No | Description | Usage Code | QTY |
|------|-----------|-----------|-----------------------|------------|-----|
| 1 | 02/202950 | | Shaft rocker assembly | | 1 |

| | | | | |
|----|-------------|--|----------------------------|---|
| 2 | :02/202951 | | Shaft rocker | 1 |
| 3 | ::02/202952 | | Plug | 2 |
| 4 | :02/202948 | | Lever rocker left hand | 4 |
| 5 | **** | | None serviced part | 1 |
| 6 | **** | | None serviced part | 1 |
| 7 | ::02/101203 | | Nut lock | 1 |
| 8 | ::02/202195 | | Screw adjusting torx drive | 1 |
| 9 | :02/202953 | | Spring rocker shaft | 3 |
| 10 | :02/202949 | | Lever rocker right hand | 4 |
| 11 | **** | | None serviced part | 1 |
| 12 | **** | | None serviced part | 1 |
| 13 | ::02/101203 | | Nut lock | 1 |
| 14 | ::02/202195 | | Screw adjusting torx drive | 1 |
| 15 | :02/202954 | | Circlip | 2 |
| 16 | :02/202955 | | Washer | 2 |
| 17 | :02/202956 | | Screw | 1 |
| 18 | :02/202957 | | Screw | 3 |
| 19 | 02/100043 | | Rod push | 8 |
| 20 | 02/201396 | | Tappet | 8 |

Thank you so much for reading.
Please click the “Buy Now!”
button below to download the
complete manual.



After you pay.

You can download the most
perfect and complete manual in
the world immediately.

Our support email:

ebooklibonline@outlook.com