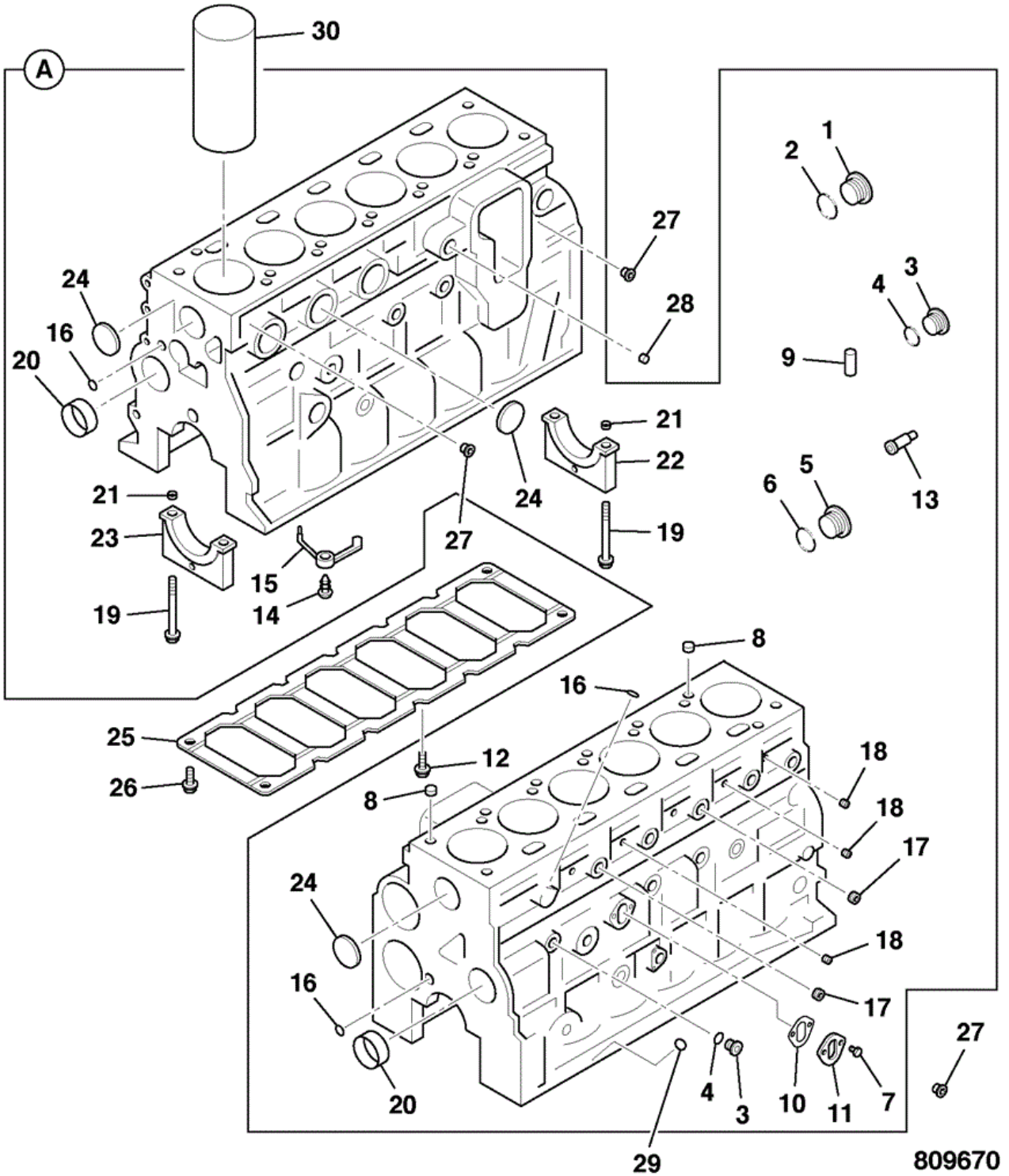


JCB 9802/6750 U1-3-2 BLOCK ASSEMBLY

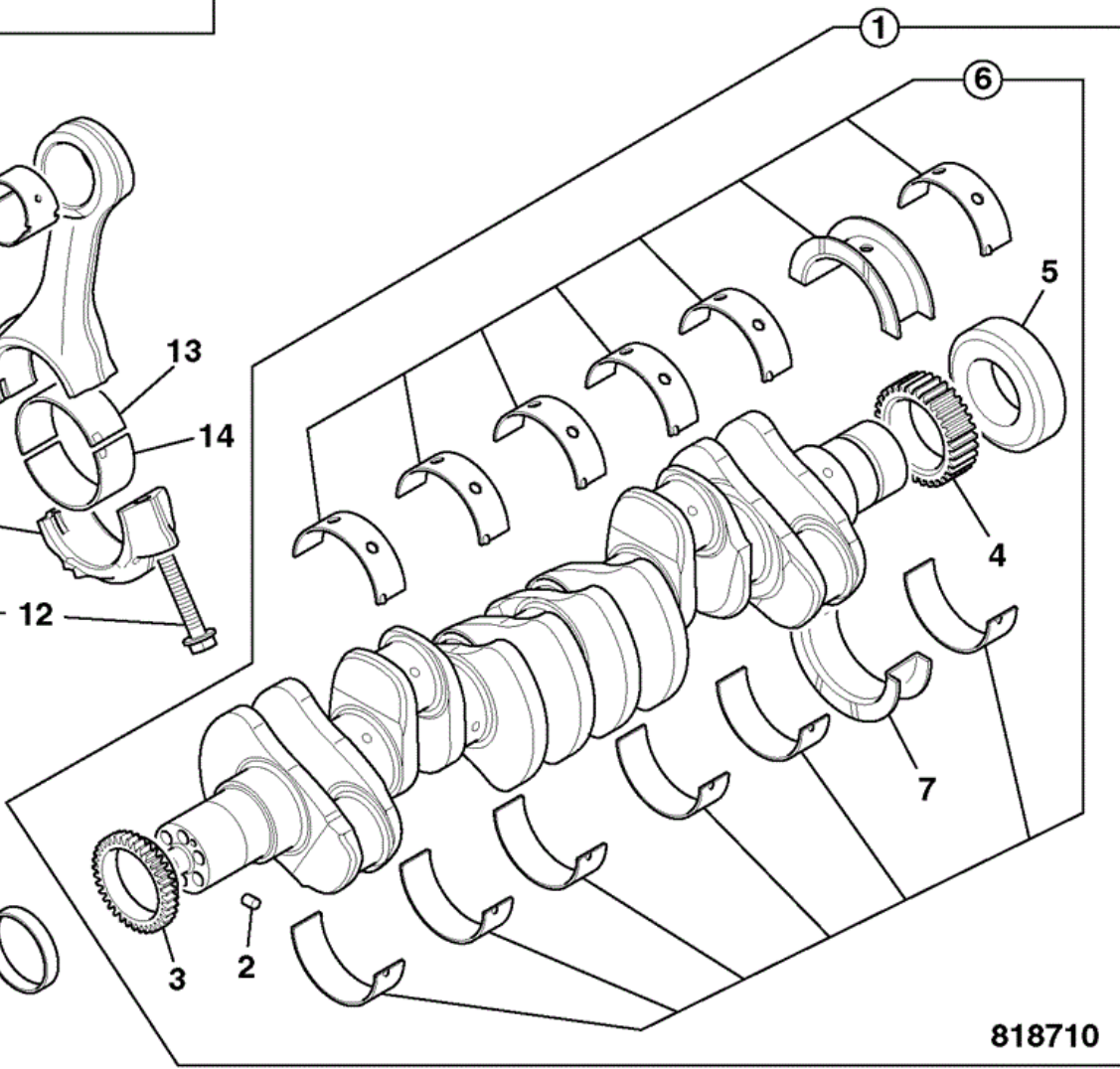
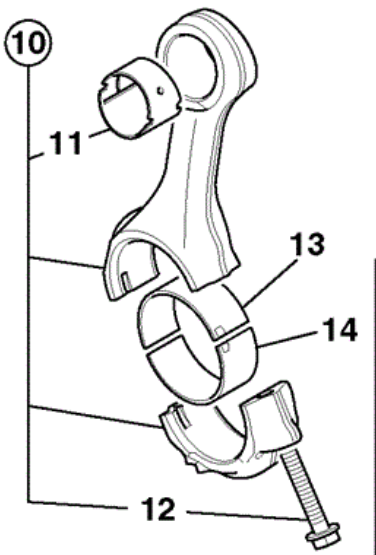
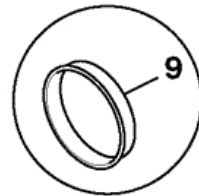
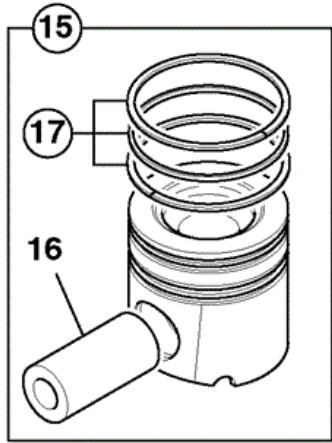


Item	Part #	Change No	Description	Usage Code	QTY
A	02/912612		Block cylinder		1
1	:02/911700		Plug threaded		2
2	::02/911701		O Ring seal		1

3	:02/910796		Plug	2
4	::02/911141		O Ring	1
5	:02/911702		Plug threaded	1
6	::02/911505		O Ring	1
7	:02/911002		Screw M8 x 20mm	2
8	:02/910011		Dowel Ring	2
9	:02/910039		Dowel pin	1
10	:02/910910		Gasket	1
11	:02/911704		Plate cover	1
12	:02/911705		Screw cap head	1
13	:02/912366		Plug piston cooling	6
14	:02/912301		Bolt banjo	6
15	:02/912270		Nozzle piston cooling	6
16	:02/910008		Plug Expansion 17.73mm	2
17	:02/910783		Plug expansion	2
18	:02/910007		Plug Expansion D=26mm	1
19	:02/911124		Bolt	14
20	:02/910799		Bush camshaft	2
21	:02/910009		Thimble	14
22	:02/912439		Cap main bearing	6
23	:02/912376		Cap main bearing	1
24	:02/912299		Plug	4
25	02/912300		Plate cylinder block stiffener	1
26	02/911122		Screw flange head M10 x 25	9
27	02/912304		Plug	2
28	02/910066		Plug pipe 3/4"NPT	1
29	02/911800		Plug expansion	5
30	****		T.B.A <i>Cylinder liner</i>	1
40	02/912264		Plug	1
41	02/911703		Screw	1
42	02/912369		Plug threaded	1
43	02/912442		Plug	1



9802/6750 U1-4-1 CRANKSHAFT BEARINGS PISTONS CON- RODS



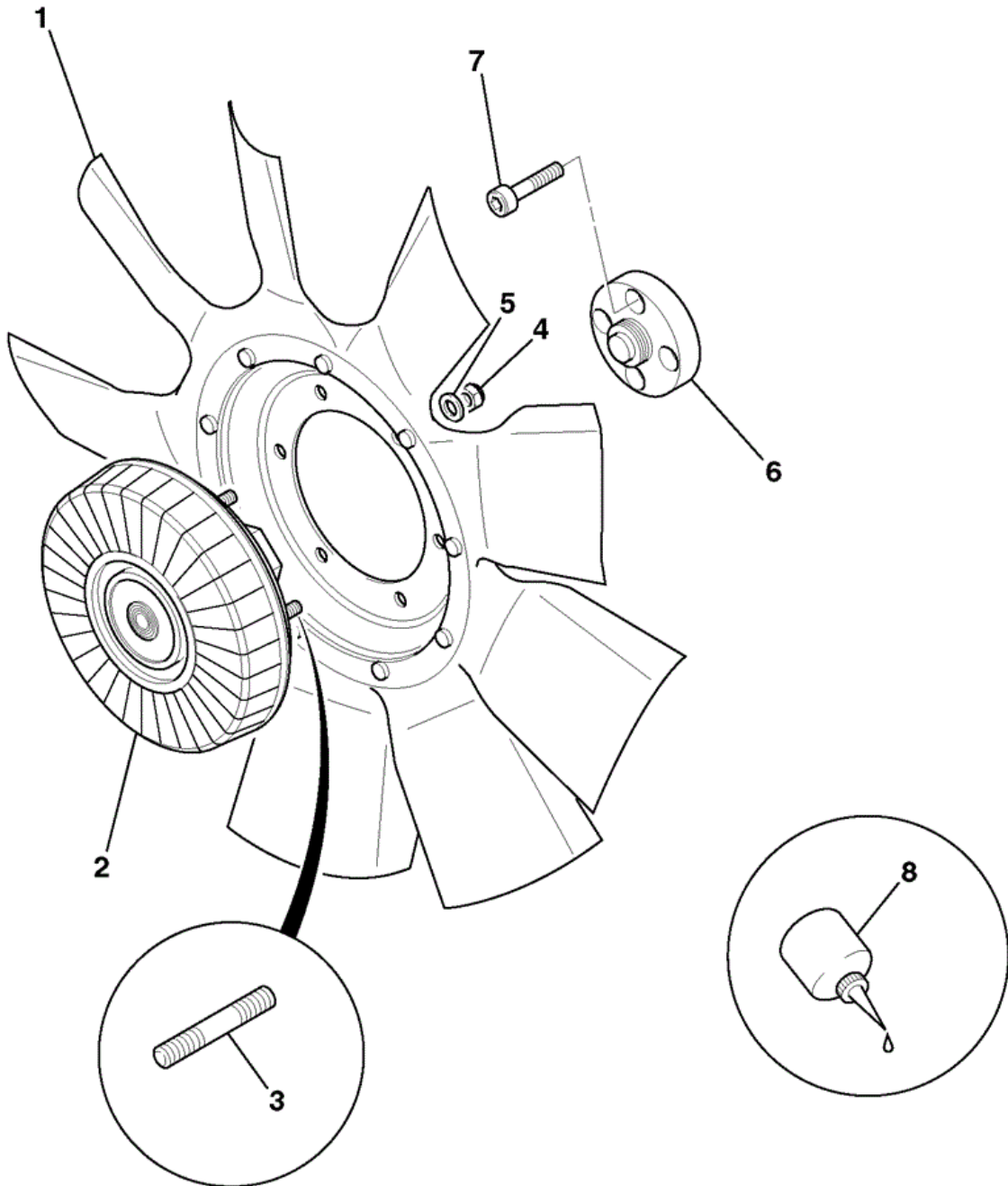
818710

Item	Part #	Change No	Description	Usage Code	QTY
1	02/912480		Crankshaft assembly		1

2	:02/912478		Dowel		1
3	:02/912479		Gear crankshaft		1
4	:02/912481		Gear crankshaft		1
5	****		None serviced part		1
6	:02/912476	<E21717600	Kit-main bearing standard <i>3200</i>		1
6	:02/912476	<E21716639	Kit-main bearing standard <i>3230</i>		1
6A	:02/912578	>E21717601	Kit main bearing standard <i>3200</i>		1
6A	:02/912578	>E21716640	Kit main bearing standard <i>3230</i>		1
7	:02/912273	<E21717600	Bearing thrust crankshaft lower <i>3200</i>		1
7	:02/912273	<E21716639	Bearing thrust crankshaft lower <i>3230</i>		1
7A	:02/912579	>E21717601	Bearing bottom thrust Standard <i>3200</i>		1
7A	:02/912579	>E21716640	Bearing bottom thrust Standard <i>3230</i>		1
8	02/910809		Kit-wear sleeve front		1
9	02/910859		Kit-wear sleeve rear		1
10	02/912626		Rod connecting		6
11	:02/911332		Bush small end		1
12	:02/911333		Bolt con-rod		2
13	02/912298		Bearing big end		6
14	02/911334		Bearing big-end		6
15	02/912302		Piston assembly		6
16	:02/912297		Pin gudgeon		1
17	:02/912303		Kit Piston and Rings		1
18	02/910143		Circlip		12



9802/6750 U1-5-2 COOLING FAN AND SPACER

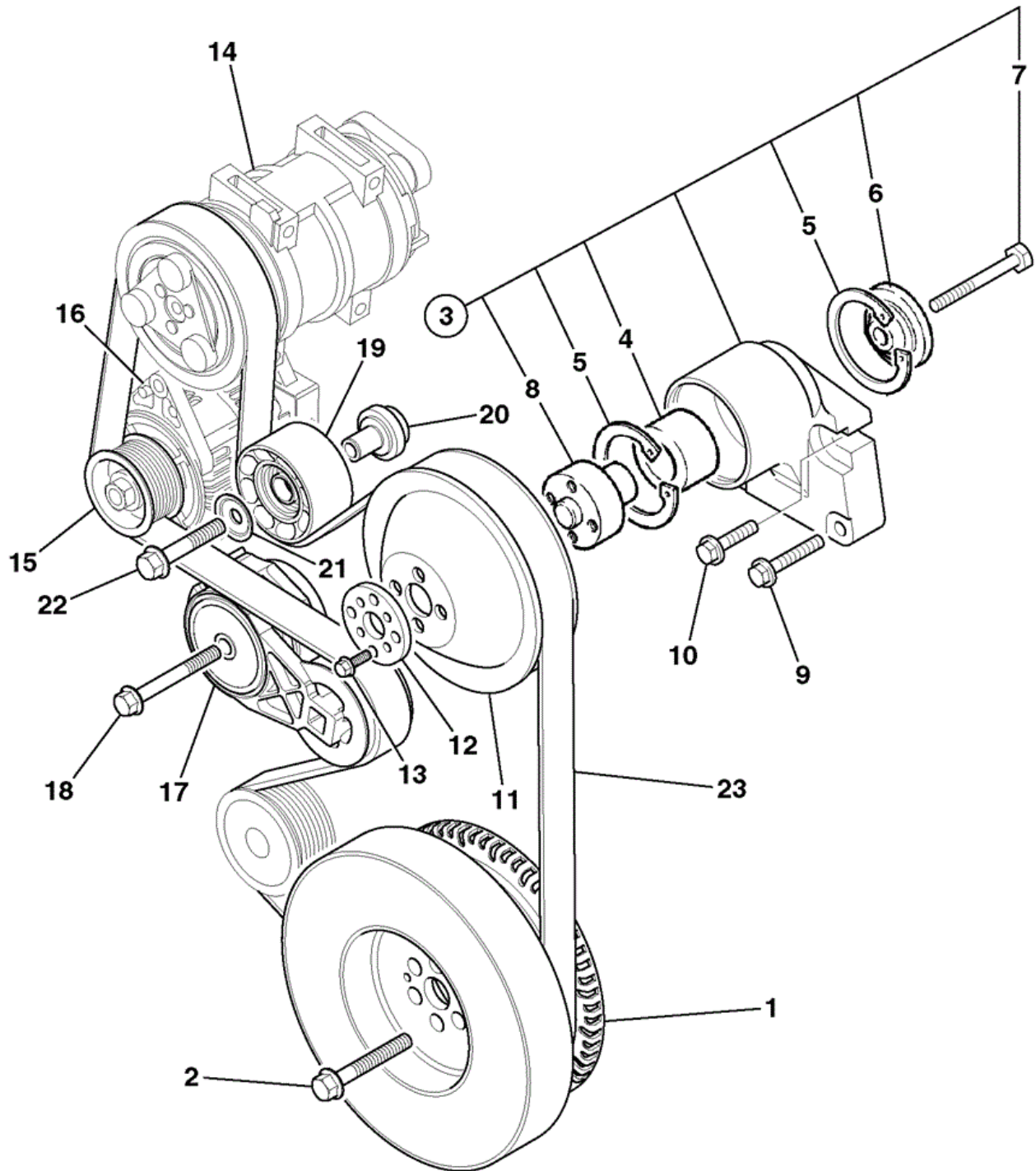


821180

Item	Part #	Change No	Description	Usage Code	QTY
1	30/925608		Fan 24" cooling		1
2	30/926685		Coupling viscous fan		1
3	****		T.B.A		6

4	1370/0203D		Nut Lock M8		6
5	1420/0007D		Washer (M8)		6
6	01/180055		Adapter fan drive		1
7	1391/3405D		Capscrew M10X20mm		4
8	4101/0251		Sealant Threadlock 50ml		0

JCB 9802/6750 U1-5-3 FRONT END DRIVE

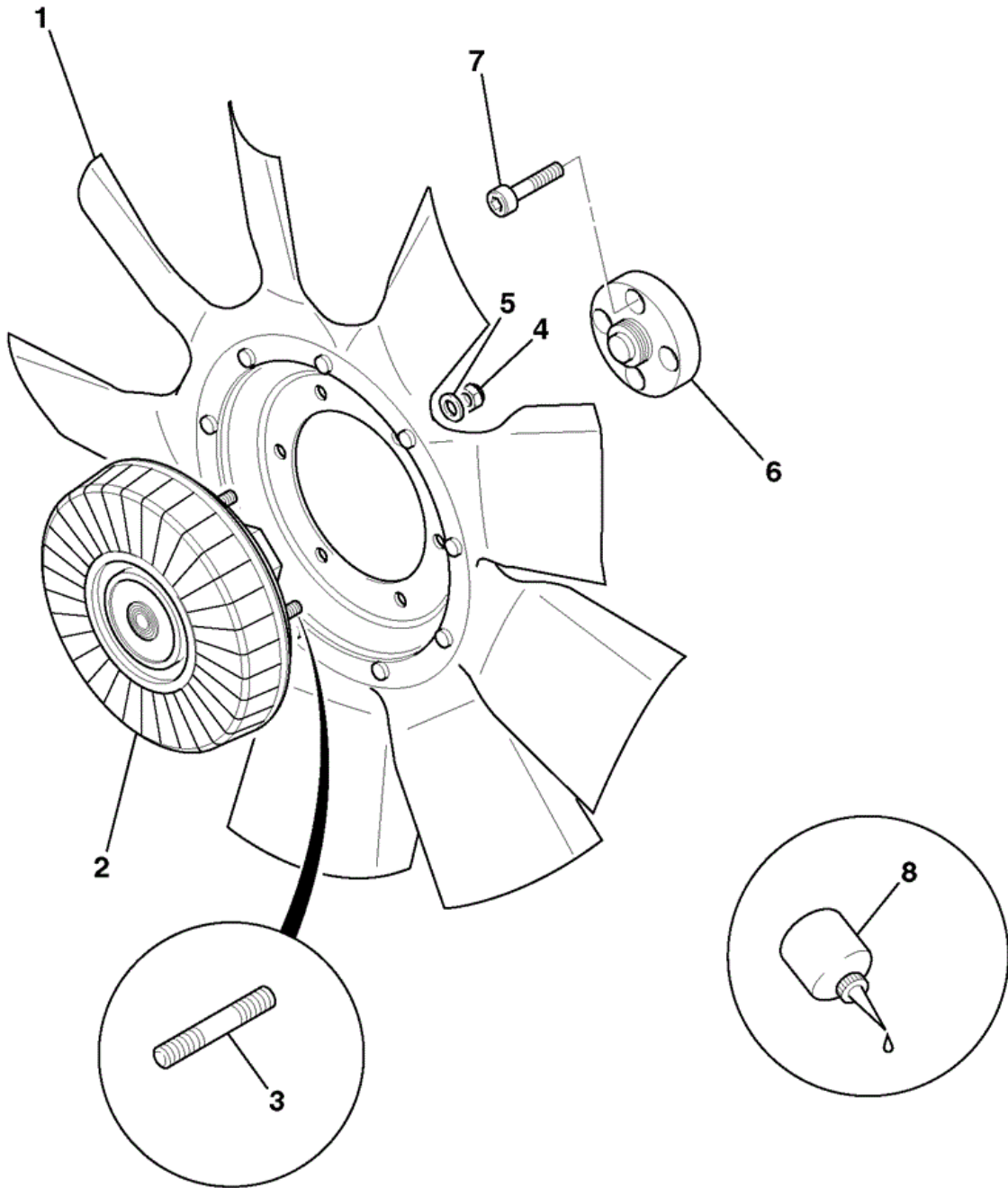


821190

Item	Part #	Change No	Description	Usage Code	QTY
1	02/912751		Damper vibration		1
2	02/912389		Screw hex flange head		1
3	02/911352		Housing fan drive (kit)		1

4	:02/910032	Bearing	1
5	:02/910033	Circlip	1
6	:02/910793	Retainer fan hub	1
7	:02/911035	Screw	1
8	:02/910035	Hub fan	1
9	02/911126	Screw	2
10	02/912392	Screw hex flange head	2
11	02/911351	Pulley fan drive	1
12	02/911524	Plate clamping	1
13	02/911122	Screw flange head M10 x 25	4
14	****	'See Remark' <i>Aircon Compressor, See frame U7-5-1</i>	1
15	02/910974	Pulley alternator	1
16	332/D1654	Alternator . <i>Alternator, See frame C2-4-2</i>	1
17	02/912216	Adjuster belt tension	1
18	02/911499	Screw	1
19	02/912017	Pulley idler	1
20	02/912012	Shaft idler	1
21	02/912355	Cap dust	1
22	02/912514	Screw M10X60	1
23	332/T5514	Belt fan drive	1

JCB 9802/6750 U1-5-11 COOLING FAN & SPACER



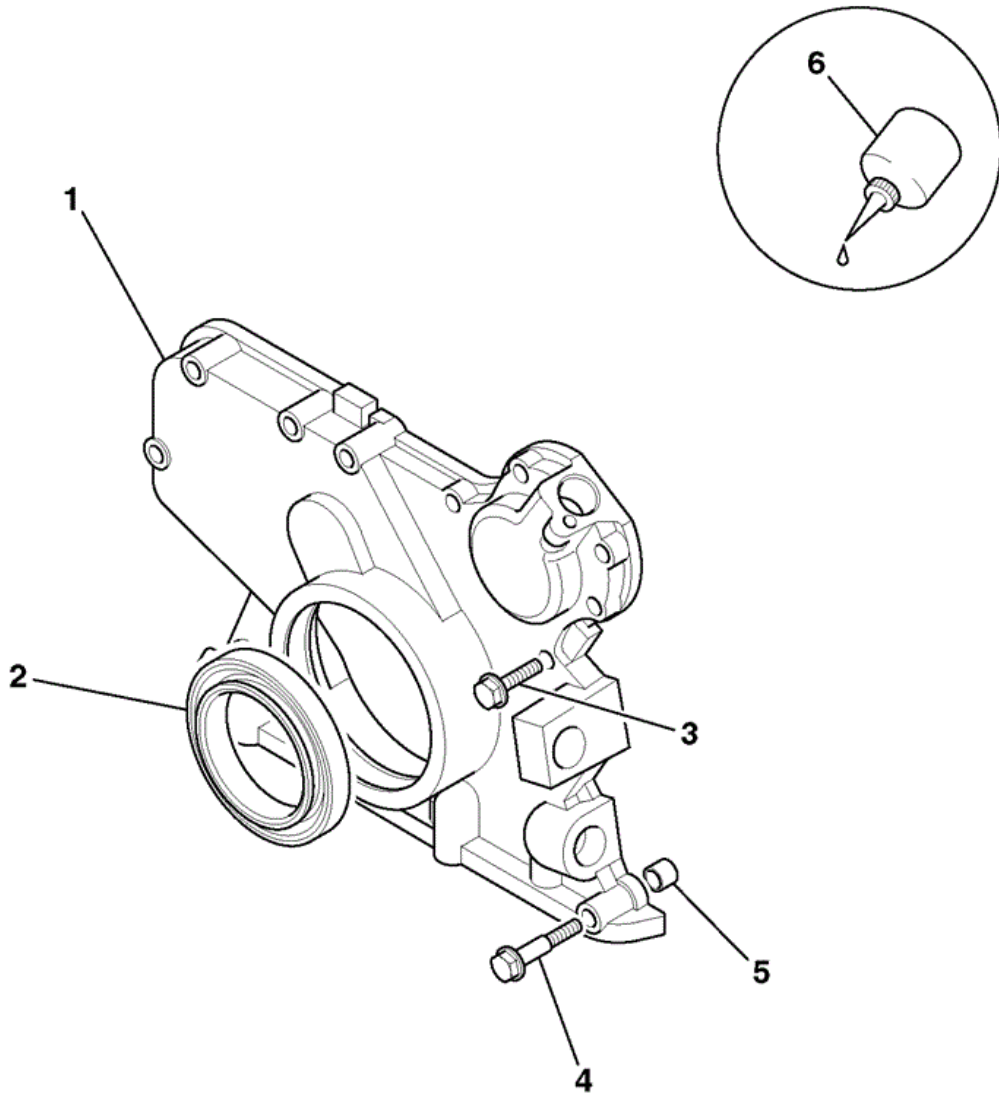
821180

Item	Part #	Change No	Description	Usage Code	QTY
1	30/925608		Fan 24" cooling		1
2	30/926685		Coupling viscous fan		1
3	****		T.B.A		6

4	1370/0203D		Nut Lock M8	6
5	1420/0007D		Washer (M8)	6
6	01/180055		Adapter fan drive	1
7	1391/3407D		Capscrew M10 x 25mm	4
8	4101/0251		Sealant Threadlock 50ml	0



9802/6750 U1-6-1 GEAR COVER FRONT



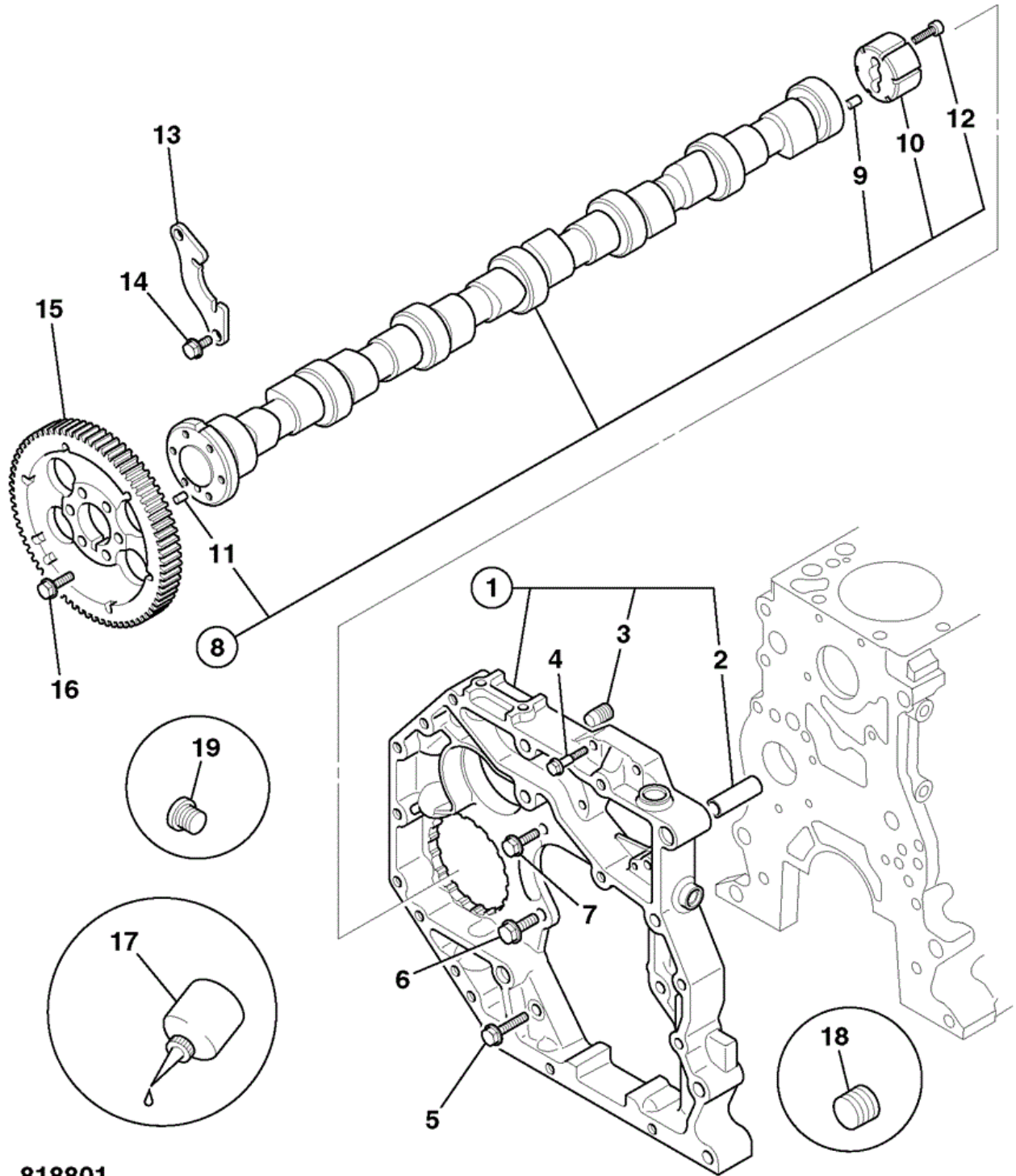
818790

Item	Part #	Change No	Description	Usage Code	QTY
1	02/912503		Housing timing gear		1
2	02/911783		Seal oil		1
3	02/911074		Screw M8 x 45		7

4	02/911062		Screw	6
5	02/911781		Dowel ring	2
6	02/912500		Sealant liquid	0



9802/6750 U1-6-2 REAR HOUSING CAMSHAFT & GEAR



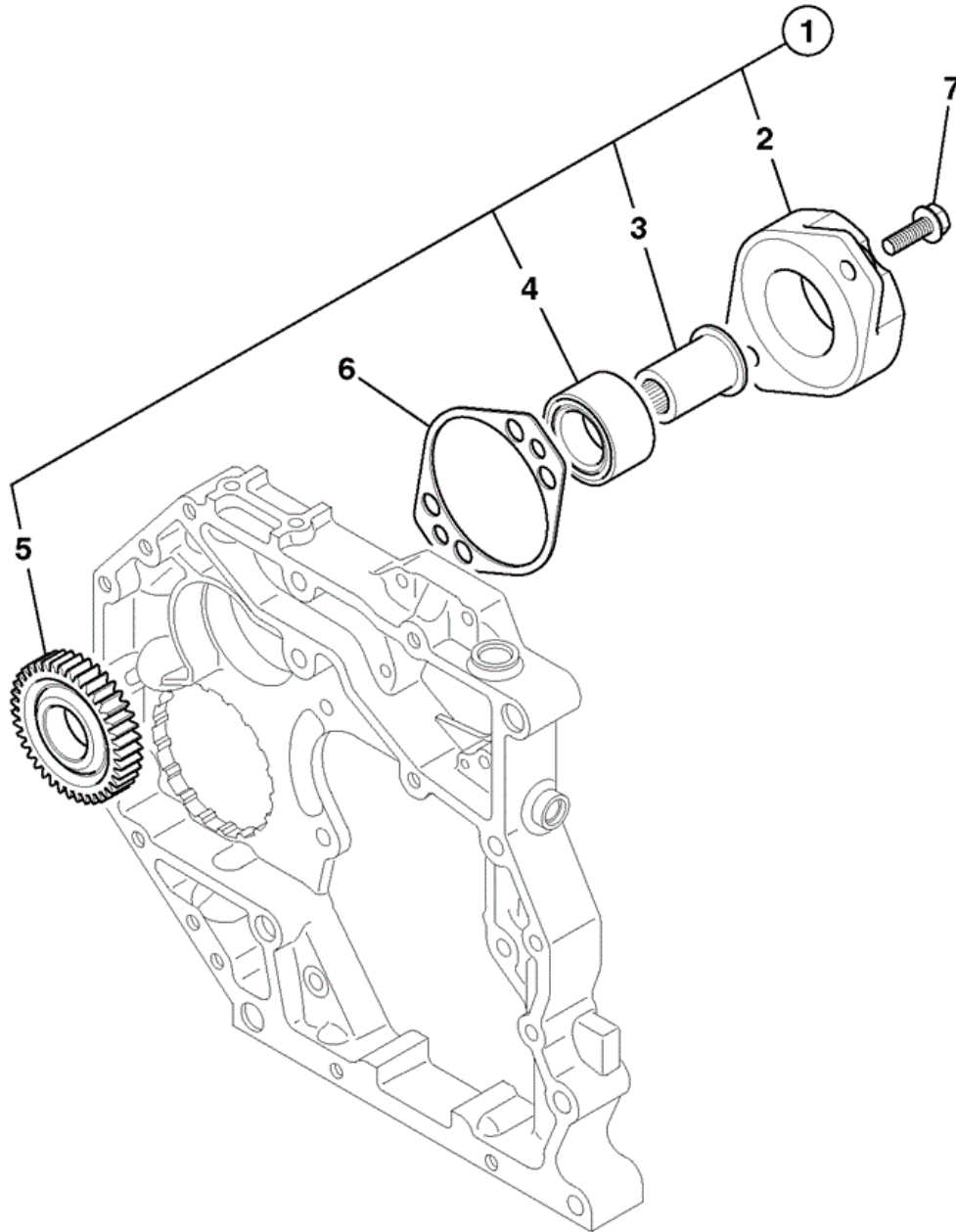
818801

Item	Part #	Change No	Description	Usage Code	QTY
1	02/912519		Housing rear gear		1
2	:02/911699		Dowel ring		2
3	:02/912271		Insert threaded		2

4	02/911074		Screw M8 x 45		4
5	02/912477		Screw hex flange head M10X50		2
6	02/911065		Screw M12 X 30		1
7	02/911120		Screw		1
8	332/F4571		Camshaft .		1
9	:02/911824		Dowel ring		1
10	:02/911825		Ring speed indicator		1
11	:02/910039		Dowel pin		2
12	:02/911826		Screw socket head		2
13	02/911828		Bracket camshaft thrust		1
14	02/911069		Screw Flanged Head M8 x 16mm		2
15	02/912424		Gear camshaft		1
16	02/911829		Screw hex flange head		6
17	02/912500		Sealant liquid		0
18	02/910066		Plug pipe 3/4"NPT		2
19	02/912442		Plug		1



9802/6750 U1-6-3 TIMING CASE AUXILIARY DRIVE



819201

Item	Part #	Change No	Description	Usage Code	QTY
1	02/912534		Adapter auxiliary drive assembly		1
2	****		None serviced part		1
3	:02/912535		Shaft auxiliary		1

Thank you so much for reading.
Please click the “Buy Now!”
button below to download the
complete manual.



After you pay.

You can download the most
perfect and complete manual in
the world immediately.

Our support email:

ebooklibonline@outlook.com