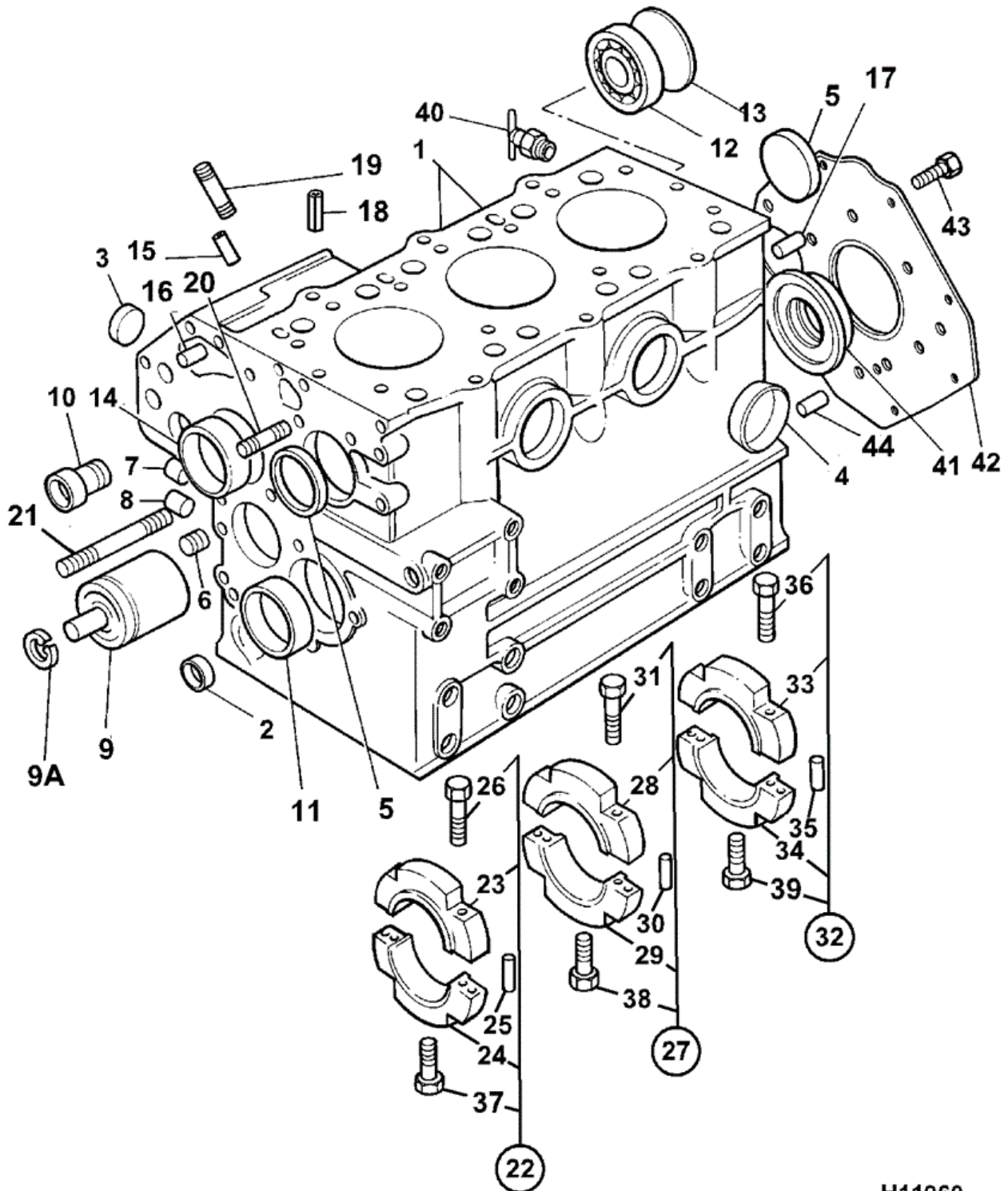




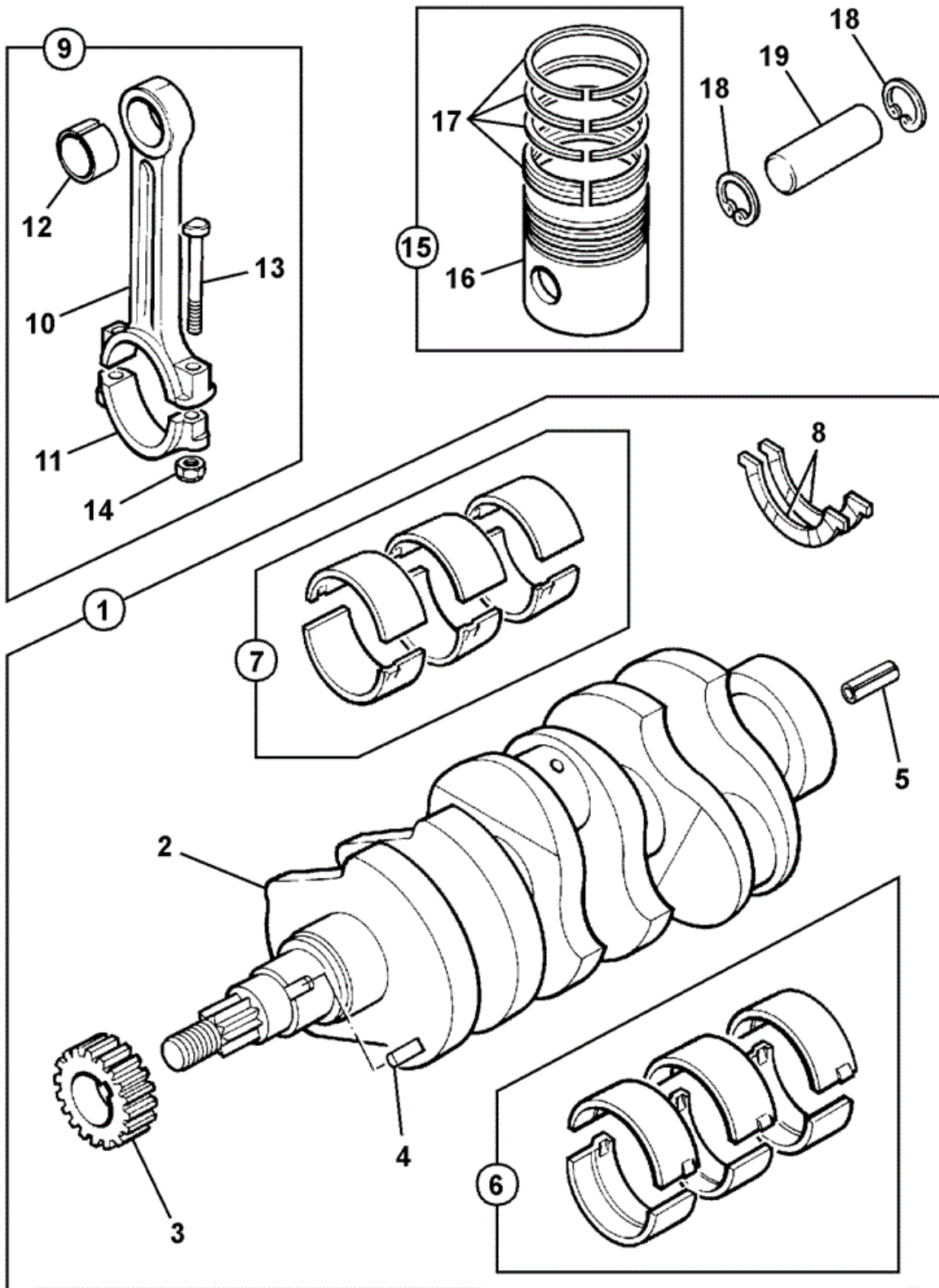
9802/5403 L1-3-1 BLOCK ASSEMBLY



H11960

Item	Part #	Change No	Description	Usage Code	QTY
1	02/630000		Block cylinder assembly		0
2	:02/630001		Plug D=15		0

3	:02/630002	Plug D=25	0
4	:02/630003	Plug D=35	0
5	:02/630004	Plug D=40mm	0
6	:02/630005	Plug D=5.4mm	0
7	:02/630006	Plug 6.5mm	0
8	:02/630007	Plug 8.4mm	0
9	:02/630008	Hub	0
9A	:02/630030	Circlip	0
10	:02/630009	Bush	0
11	:02/630010	Bush	0
11	02/630011	Bush undersize - 0.25mm	0
11	02/630012	Bush undersize - 0.50mm	0
12	:02/630013	Bearing	0
13	:02/630014	Plug core D=45mm	0
14	:02/630015	Bearing	0
15	:02/630016	Dowel	0
16	:02/630014	Plug core D=45mm	0
17	:02/630018	Dowel	0
18	:02/630019	Pin	0
19	:02/630020	Stud	0
20	:02/630021	Stud	0
21	:02/630022	Stud	0
22	:02/630023	Cap bearing assembly	0
23	:N.S.P.	None serviced part <i>Cap - top</i>	0
24	:N.S.P.	None serviced part <i>Cap - bottom</i>	0
25	:02/630024	Dowel	0
26	:02/630025	Screw	0
27	:02/630026	Cap bearing assembly	0
28	:N.S.P.	None serviced part <i>Cap - top</i>	0
29	:N.S.P.	None serviced part <i>Cap - bottom</i>	0
30	:02/630024	Dowel	0
31	:02/630025	Screw	0
32	:02/630027	Cap bearing assembly	0
33	:N.S.P.	None serviced part <i>Cap - top</i>	0
34	:N.S.P.	None serviced part <i>Cap - bottom</i>	0
35	:02/630024	Dowel	0
36	:02/630025	Screw	0
37	:02/630028	Screw	0
38	:02/630028	Screw	0
39	:02/630029	Screw	0
40	02/630031	Tap drain	0
41	02/630032	Seal rear oil	0
42	02/630033	Plate	0
43	02/630034	Screw	0
44	02/630018	Dowel	0



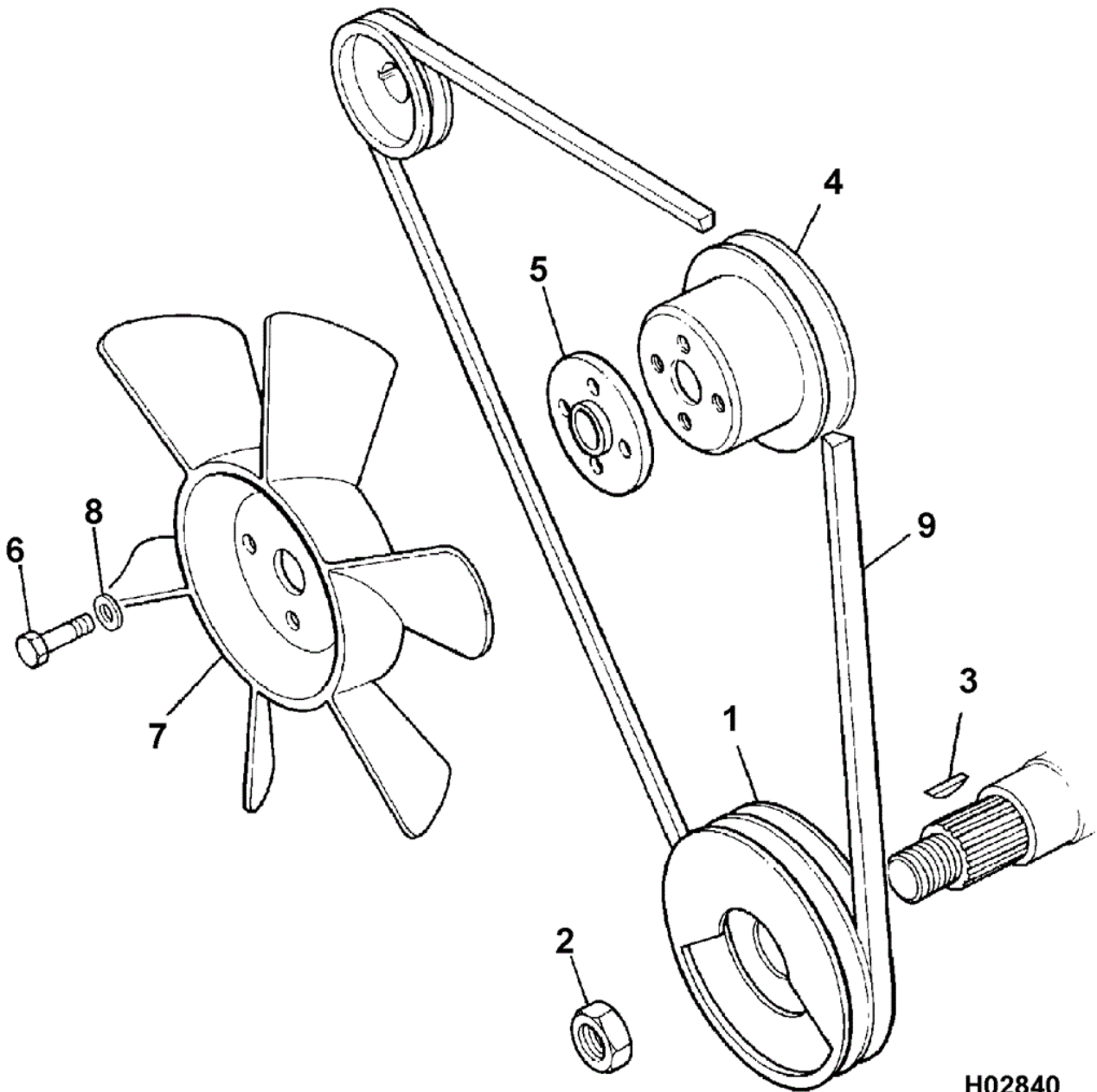
H01300

Item	Part #	Change No	Description	Usage Code	QTY
1	02/630040		Crankshaft assembly		1
2	:N.S.P.		None serviced part <i>Crankshaft</i>		1
3	:02/630041		Gear		1
4	:02/630042		Key		1
5	:02/630043		Pin		1

6	:02/630044		Kit-bearing main, standard	1
6	:02/630045		Kit-bearing Main undersize - 0.25mm	0
6	:02/630046		Kit-bearing Main undersize - 0.50mm	0
7	:02/630047		Kit-bearing big-end standard	1
7	:02/630048		Kit-bearing Big-end undersize - 0.25mm	0
7	:02/630049		Kit-bearing Big-end undersize - 0.50mm	0
8	:02/630050		Washer thrust	2
9	02/630051		Conrod	3
10	:N.S.P.		None serviced part <i>Rod</i>	1
11	:N.S.P.		None serviced part <i>Cap</i>	1
12	:02/630052		Bush small-end	1
13	:02/630053		Bolt	2
14	:02/630054		Nut	2
15	02/630055		Kit-piston & rings Standard	3
15	02/630056		Piston assembly oversize - 0.5mm	0
15	02/630057		Piston assembly oversize - 1.0mm	0
16	:N.S.P.		None serviced part <i>Piston</i>	1
17	:02/630060		Kit-piston ring standard	1
17	:02/630061		Kit-piston ring oversize - 0.5mm	1
17	:02/630062		Kit-piston ring oversize - 1.0mm	1
18	02/630059		Circlip	2
19	02/630058		Pin gudgeon	1



9802/5403 L1-5-1 FANS, PULLEYS & FAN BELT

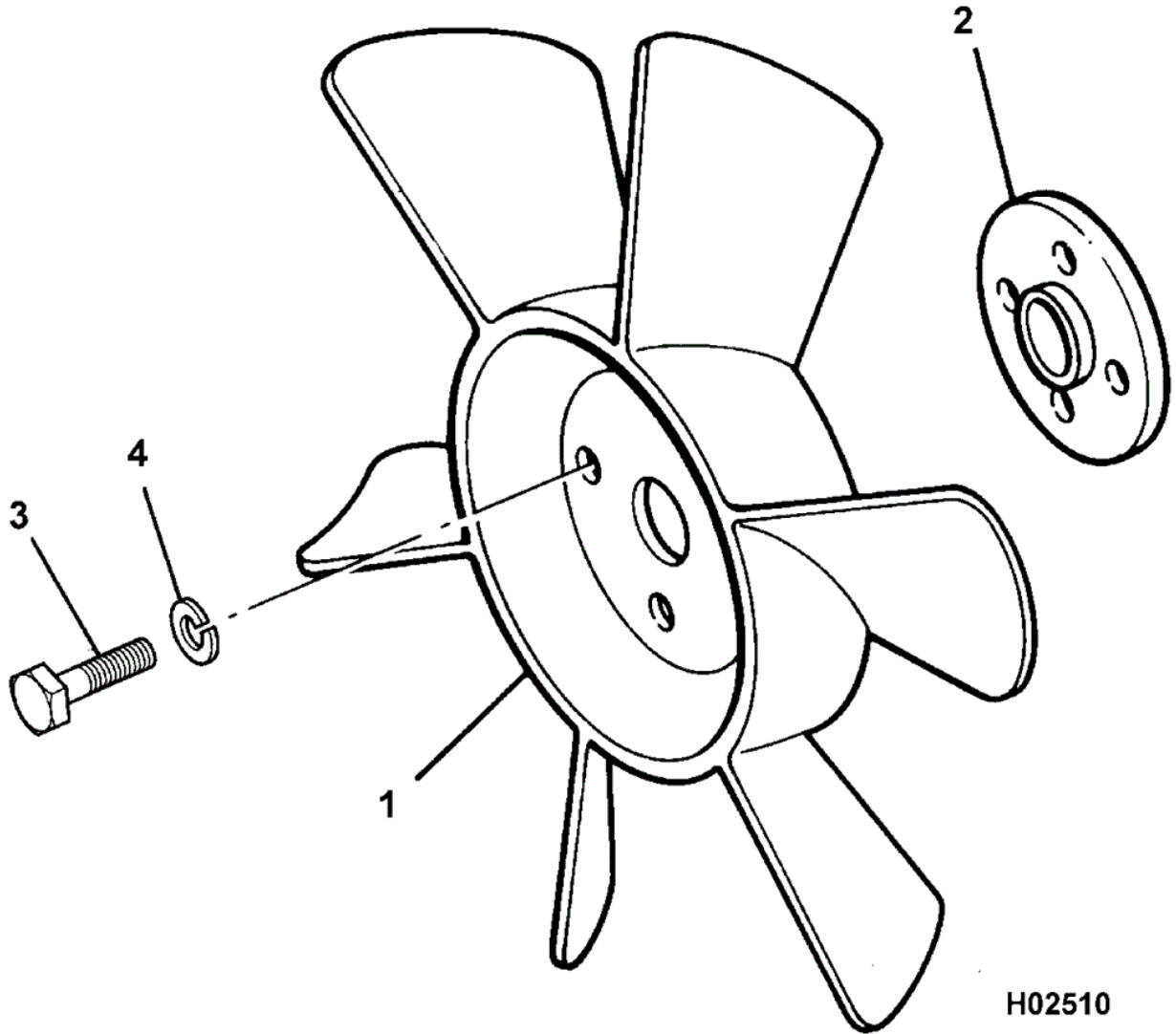


H02840

Item	Part #	Change No	Description	Usage Code	QTY
1	02/630066		Pulley crankshaft		0
2	02/630067		Nut		0
3	02/630068		Key		0
4	02/630070		Pulley water pump		0
5	02/630069		Spacer fan <i>Cable m/c's</i>		0
5	231/86601	Superseded	Spacer fan <i>Servo m/c's</i>		0
5	231/86501		Spacer fan <i>Servo m/c's</i>		1

6	02/630071		Screw <i>Cable m/c`s</i>		0
7	02/630072	<M723113	Fan 6 blades 330 dia <i>6 blade</i>		0
7	02/630830	>M723114	Fan <i>7 blade</i>		0
8	1425/0006Z		Washer Spring (M6) <i>Servo m/c`s</i>		0
9	02/630075	<E52695X	Belt fan <i>Code M31 Stamped on original</i>		0
9	02/631260		Belt fan <i>Code M30 Stamped on original</i>		0

JCB 9802/5403 L1-5-2 FAN KIT



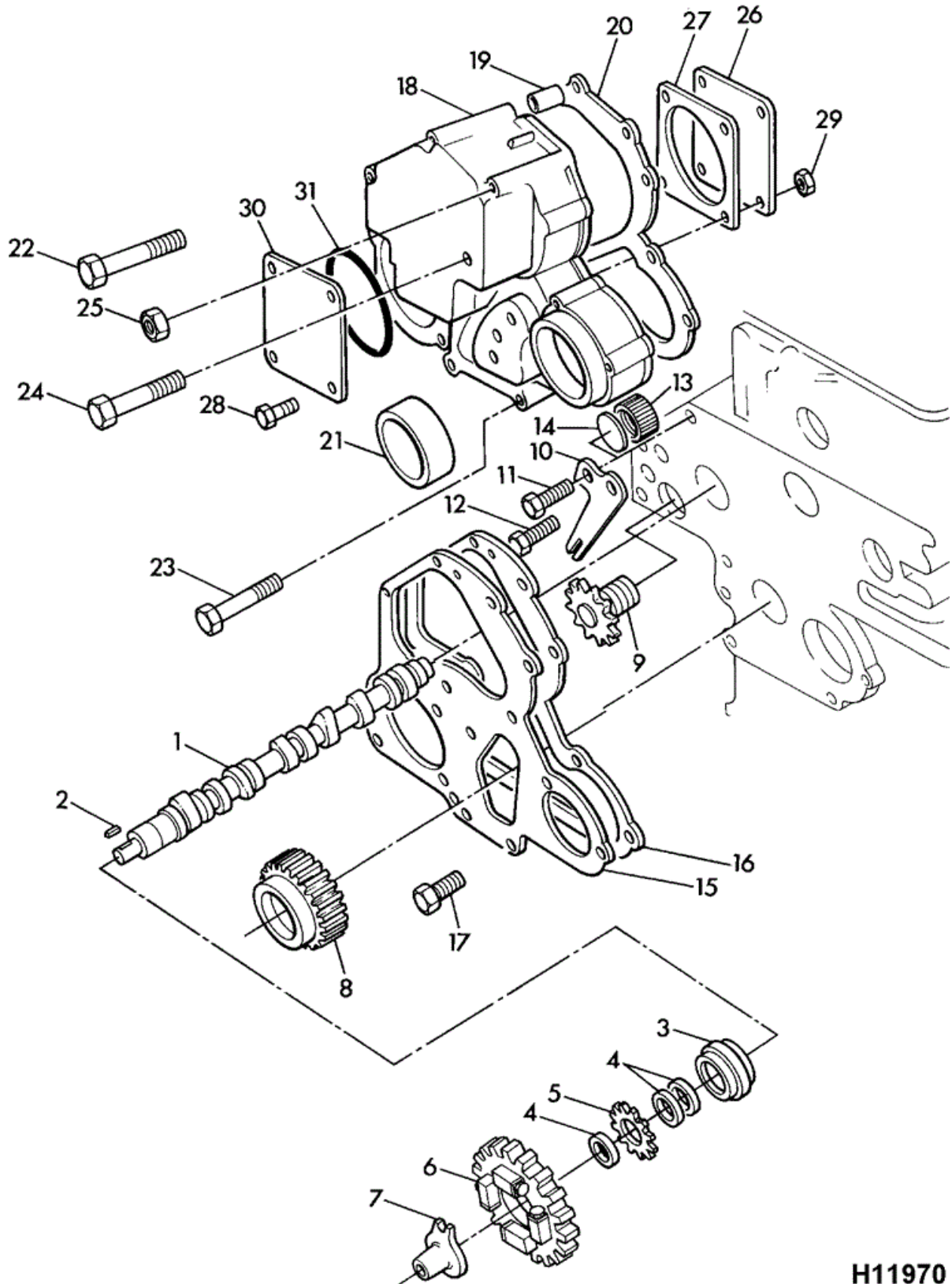
H02510

Item	Part #	Change No	Description	Usage Code	QTY
1	02/630830		Fan 7-blade See Note 1		0
2	231/86601	Superseded	Spacer fan		0
2	231/86501		Spacer fan		1
3	1315/0205Z		Setscrew M6 x 20mm M6 x 20		4
4	1425/0006Z		Washer Spring (M6) M6		4

Note 1: Use with servo build m/c's and m/c's fitted with latest steel framed engine cover (B1-6-3)



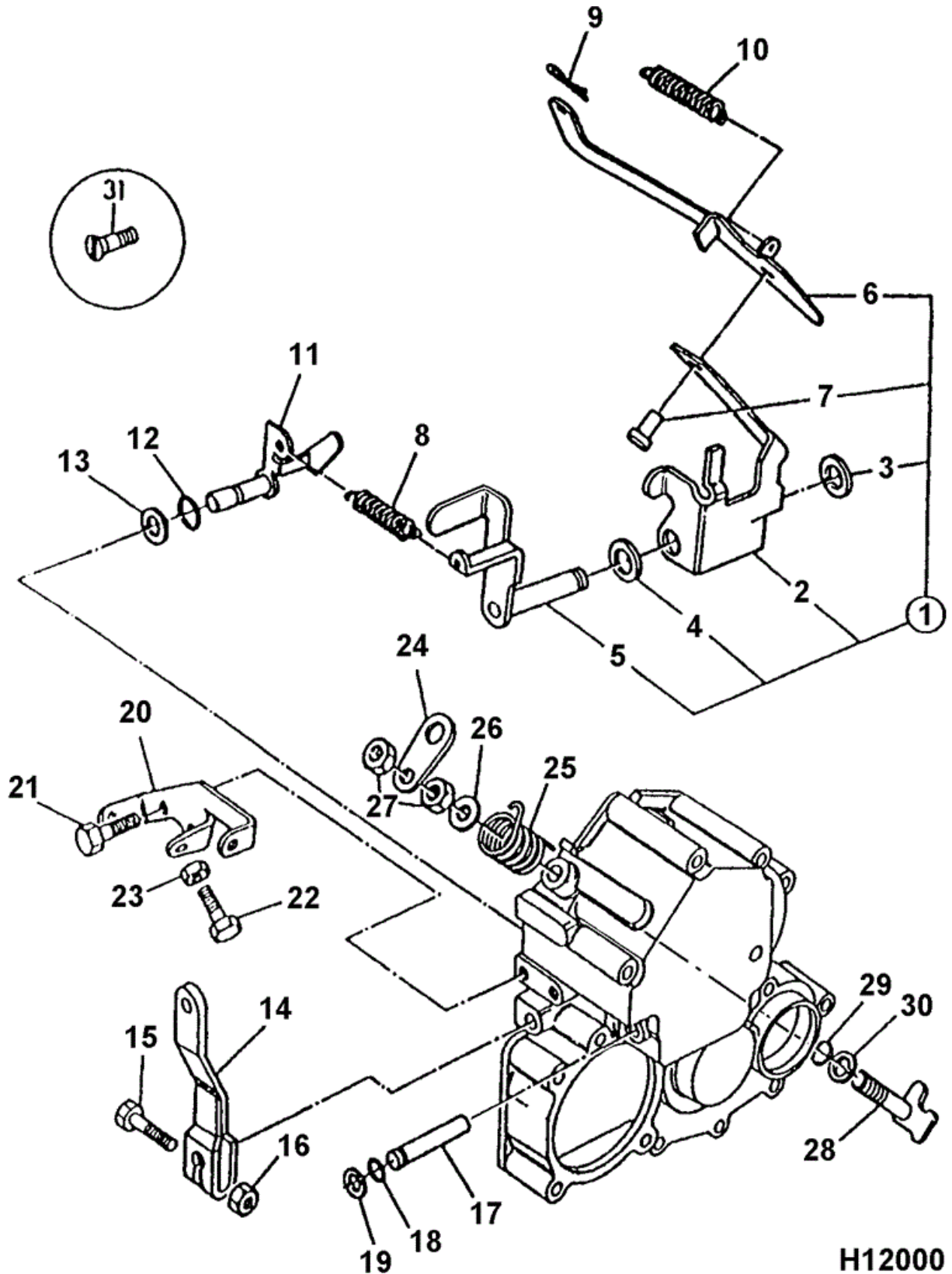
9802/5403 L1-6-1 TIMING CASE CAMSHAFT & GEARS



H11970

Item	Part #	Change No	Description	Usage Code	QTY
1	02/630080		Camshaft		0
2	:02/630068		Key		0
3	:02/630081		Bearing		0
4	:02/630082		Spacer		0
5	:02/630083		Gear		0
6	:02/630084		Gear		0
7	:02/630085		Tappet		0
8	****		'See Remark' <i>See L5-2-1</i>		0
9	02/630100		Shaft		0
10	02/630101		Plate		0
11	02/630102		Screw		0
12	02/630103		Screw		0
13	02/630104		Cap		0
14	02/630105		Seal		0
15	02/630086		Plate		0
16	02/630087		Gasket		0
17	02/630088		Screw		0
18	02/630090		Casing timing		0
19	:02/630089		Pin		0
20	02/630091		Gasket		0
21	02/630092		Seal front oil		0
22	02/630093		Screw		0
23	02/630094		Screw		0
24	02/630095		Screw		0
25	02/630096		Nut		0
26	02/630097		Plate		0
27	02/630098		Gasket		0
28	02/630099		Screw		0
29	02/630078		Nut		0
30	02/630097		Plate		0
31	02/630079		O Ring		0

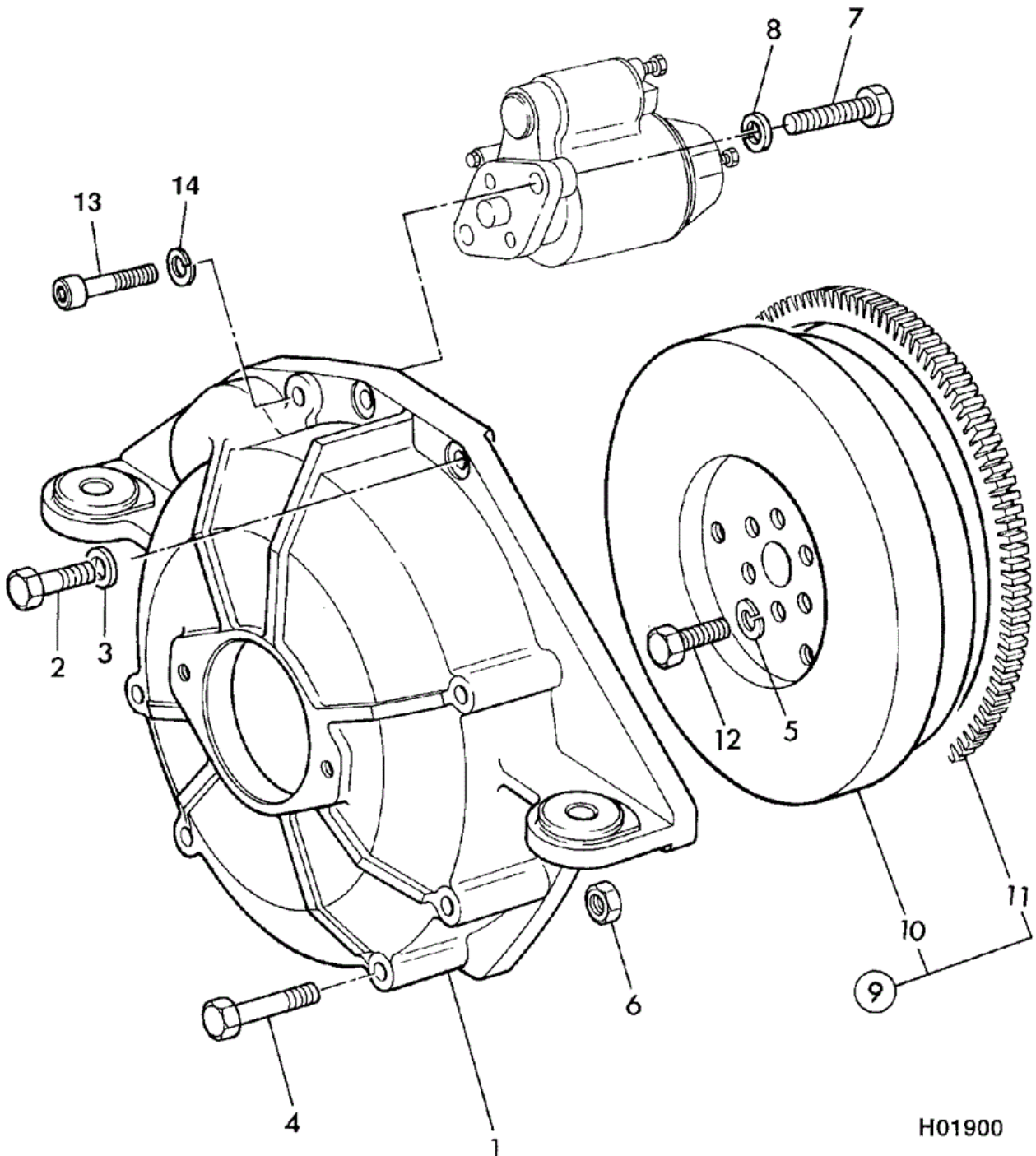
JCB 9802/5403 L1-6-2 TIMING LEVERS ARMS & SPRINGS



Item	Part #	Change No	Description	Usage Code	QTY
1	02/630106		Lever		0
2	:N.S.P.		None serviced part <i>Lever</i>		0
3	:02/630107		Circlip		0
4	:02/630108		Washer		0
5	:02/630109		Lever		0
6	:N.S.P.		None serviced part <i>Link</i>		0
7	:N.S.P.		None serviced part <i>Pin</i>		0
8	02/630138		Spring		0
9	02/630111		Pin		0
10	02/630112		Spring		0
11	02/630113		Arm		0
12	02/630114		O Ring		0
13	02/630107		Circlip		0
14	02/630115		Lever		0
15	02/630116		Screw		0
16	02/630117		Nut		0
17	02/630118		Shaft		0
18	02/630119		O Ring		0
19	02/630120		Circlip		0
20	02/630121		Stay		0
21	02/630122		Screw		0
22	02/630123		Screw		0
23	02/630096		Nut		0
24	02/630124		Lever		0
25	02/630125		Spring		0
26	02/630126		Washer		0
27	02/630127		Nut		0
28	02/630128		Arm		0
29	02/630129		O Ring		0
30	02/630130		Circlip		0
31	02/630131		Screw <i>Governor lever setting</i>		0



9802/5403 L1-7-1 FLYWHEEL & HOUSING

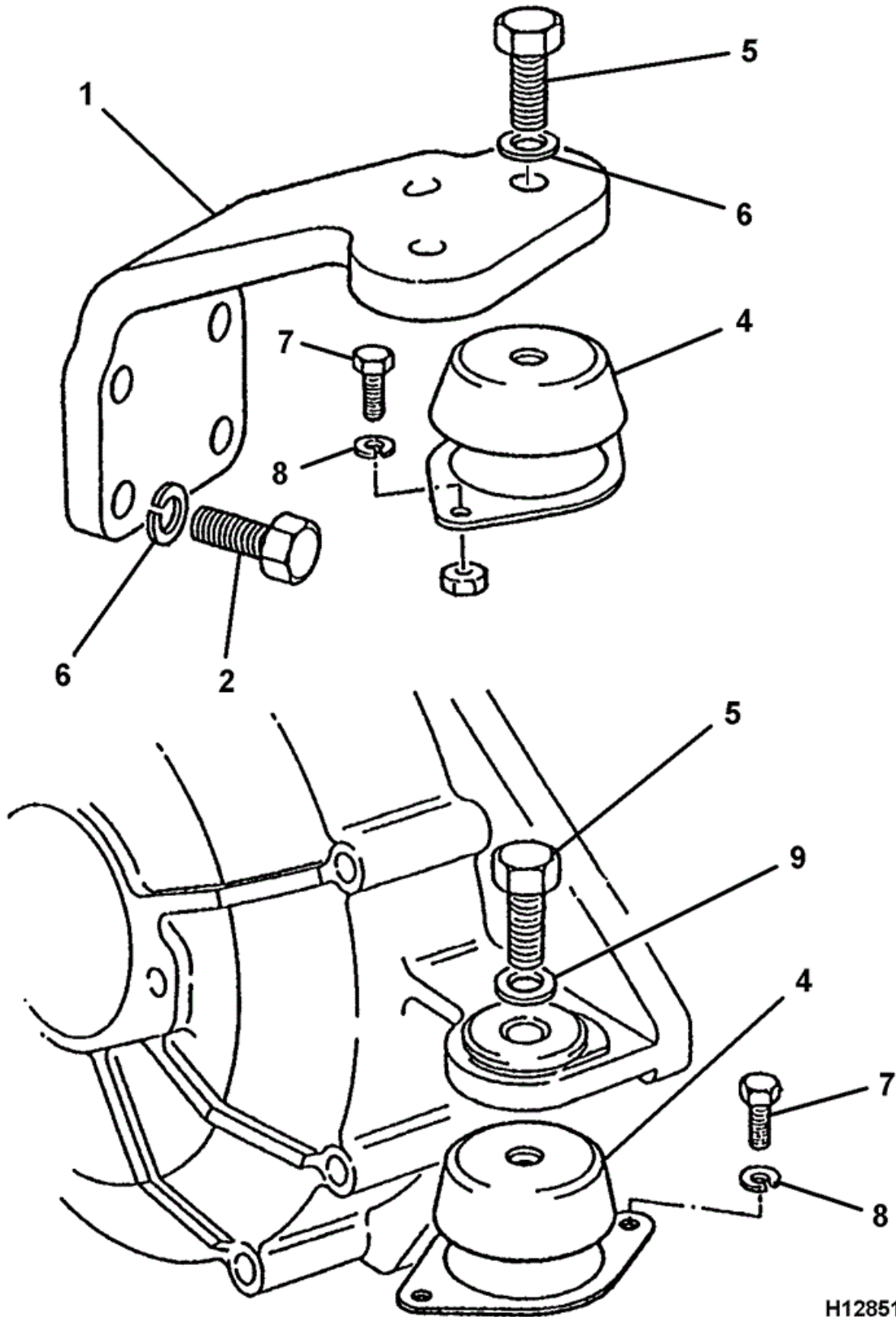


Item	Part #	Change No	Description	Usage Code	QTY
1	231/40001	<M720586	Housing flywheel		0
1	231/82502	>M720587	Housing flywheel <i>Eng.No.52696X on</i>		0
1	231/40001	>TBA	Housing flywheel		1
2	1315/0309Z		Setscrew M8 x 35		0

3	1425/0007Z		Washer Washer <i>Was 823/00415Z</i>	0
4	1315/3319Z		Bolt M8 x 90 mm <i>M8 X 90</i>	0
5	1425/0008Z		Spring Washer <i>Was 823/00416Z</i>	0
6	1370/0203Z		Nut Nut M8	0
7	02/630132	<M720586	Screw <i>to Eng.No.52695X</i>	0
8	02/630134	<M720586	Washer spring <i>to Eng.No.52695X</i>	0
9	02/630135		Flywheel assembly	0
10	:N.S.P.		None serviced part <i>Flywheel</i>	0
11	:02/630136		Ring starter	0
12	02/630137		Screw	0
12	1315/0408Z		Setscrew M10 x 30 <i>801.5 Power plus</i>	7
13	826/01455Z	>M720587	Capscrew <i>Eng.No.52696X on</i>	0
14	1425/0008Z	>M720587	Spring Washer <i>Eng.No.52696X on</i>	0



9802/5403 L1-8-1 ENGINE MOUNTINGS



H12851

Item	Part #	Change No	Description	Usage Code	QTY
1	231/40002		Bracket mounting		0
2	826/00998		Screw set		0
3	823/00417		Washer spring		0
4	231/40004		Mounting metalastik		4
5	1315/0509Z		Setscrew M12 x 35mm		0
6	823/00417		Washer spring		0
6	1425/0009Z		Washer Spring M12		10
7	1315/0305Z		Setscrew M8 x 20		14
8	823/00415Z		Washer spring		15
9	1420/0008Z		Washer (M10)		2

Thank you so much for reading.
Please click the “Buy Now!”
button below to download the
complete manual.



After you pay.

You can download the most
perfect and complete manual in
the world immediately.

Our support email:

ebooklibonline@outlook.com