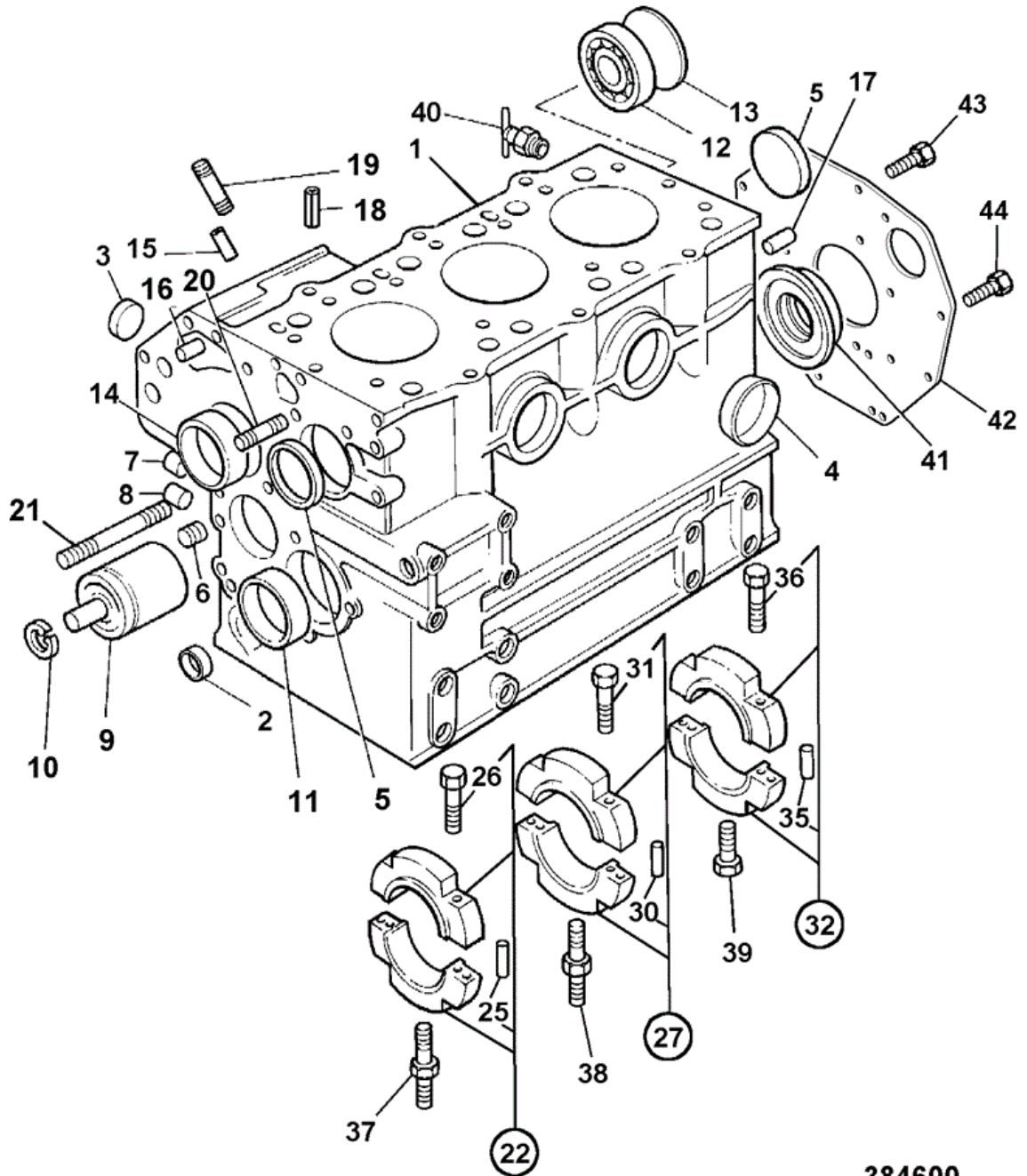




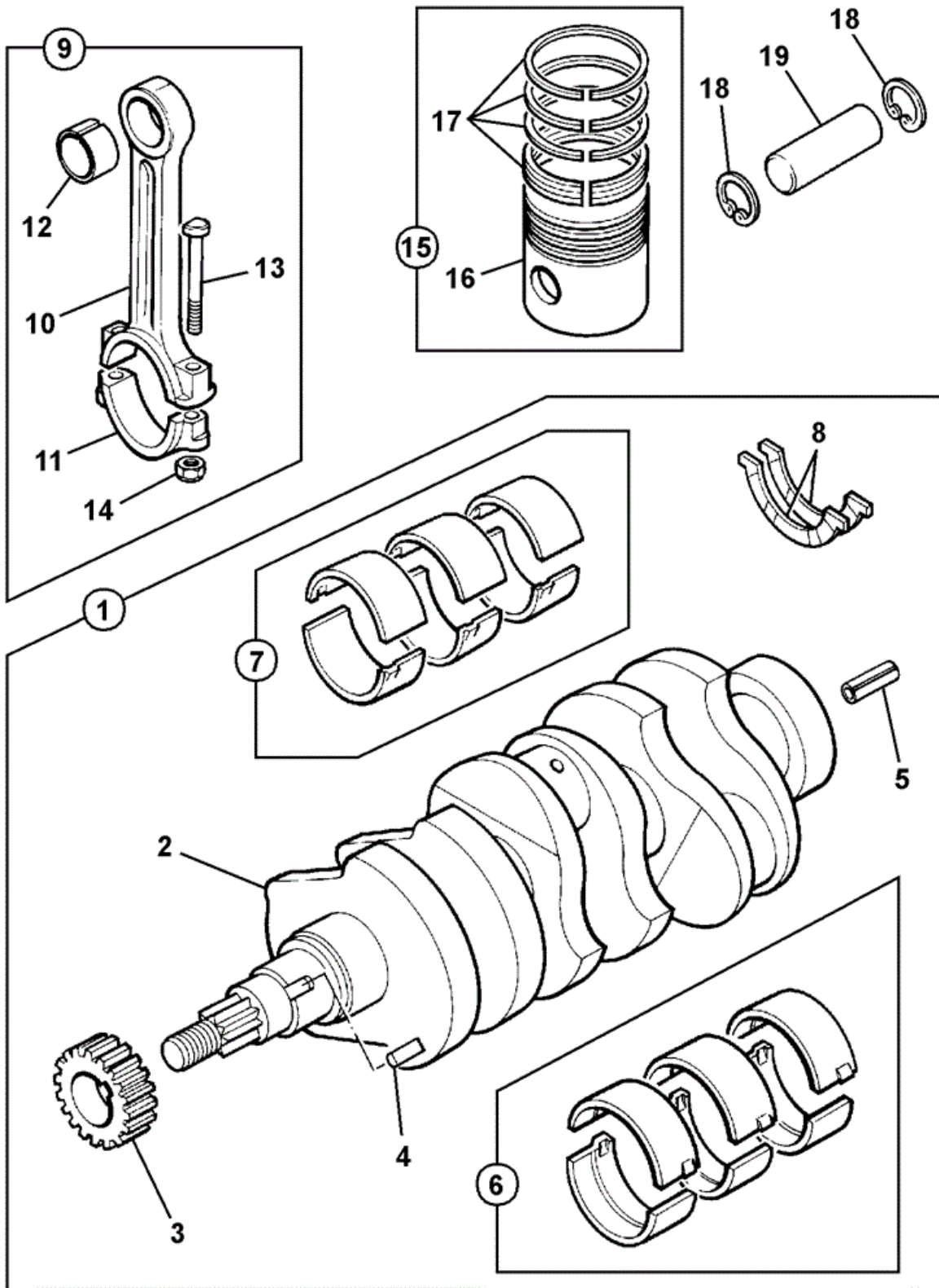
## 9802/5407 L1-3-1 BLOCK ASSEMBLY



384600

Item	Part #	Change No	Description	Usage Code	QTY
1	02/630365		Block cylinder assembly		1
2	:02/630001		Plug D=15		1
3	:02/630002		Plug D=25		1

4	:02/630003		Plug D=35	2
5	:02/630004		Plug D=40mm	2
6	:02/630005		Plug D=5.4mm	1
7	:02/630006		Plug 6.5mm	4
8	:02/630007		Plug 8.4mm	4
9	:02/630008		Hub	1
10	:02/630030		Circlip	1
11	:02/630010		Bush	1
11	02/630011		Bush undersize - 0.25mm	0
11	02/630012		Bush undersize - 0.50mm	0
12	:02/630013		Bearing	1
13	:02/630014		Plug core D=45mm	1
14	:02/630015		Bearing	1
15	:02/630016		Dowel	2
16	:02/630017		Dowel	2
17	:02/630018		Dowel	2
18	:02/630019		Pin	2
19	:02/630020		Stud	2
20	:02/630021		Stud	1
21	:02/630022		Stud	1
22	:02/630023		Cap bearing assembly	1
23	:N.S.P.		None serviced part	1
24	::N.S.P.		None serviced part	1
25	::02/630024		Dowel	2
26	::02/630025		Screw	2
27	:02/630026		Cap bearing assembly	1
28	::N.S.P.		None serviced part	1
29	::N.S.P.		None serviced part	1
30	::02/630024		Dowel	1
31	::02/630025		Screw	2
32	:02/630353		Cap bearing	1
33	::N.S.P.		None serviced part	1
34	::N.S.P.		None serviced part	1
35	::02/630024		Dowel	2
36	::02/630025		Screw	2
37	826/10775		Stud	1
38	826/10775		Stud	1
39	02/630029		Screw	2
40	02/630031		Tap drain	1
41	02/630032		Seal rear oil	1
42	02/630366		Plate flywheel backplate	1
43	826/10776		Screw	8
44	02/634112		Screw	2



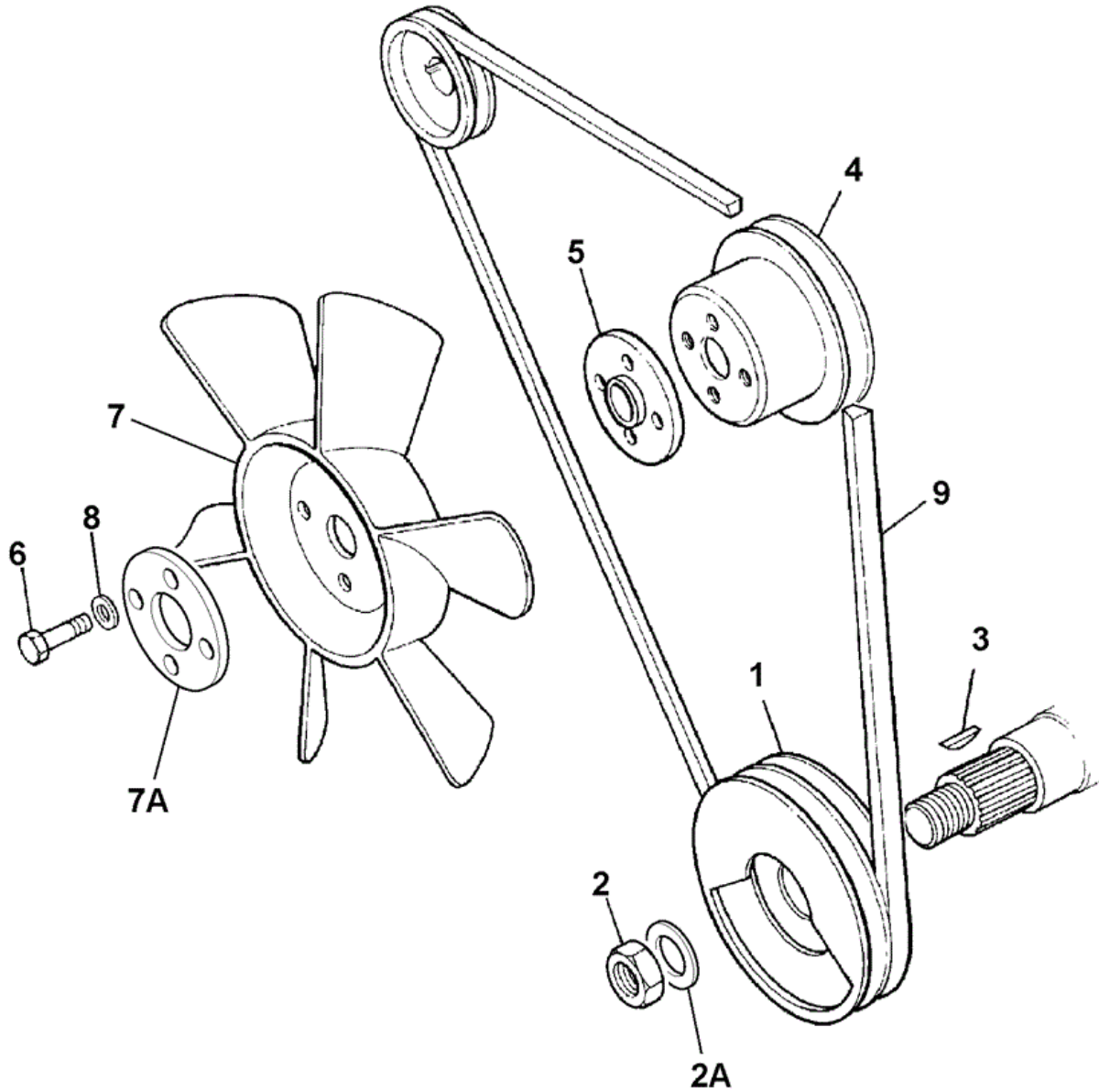
H15290

Item	Part #	Change No	Description	Usage Code	QTY
1	02/630040		Crankshaft assembly		1
2	:N.S.P.		None serviced part		1
3	:02/630041		Gear		1
4	:02/630042		Key		1
5	:02/630043		Pin		1

6	:02/630044	Kit-bearing main, standard	1
6	:02/630045	Kit-bearing Main undersize - 0.25mm	0
6	:02/630046	Kit-bearing Main undersize - 0.50mm	0
7	:02/630047	Kit-bearing big-end standard	1
7	:02/630048	Kit-bearing Big-end undersize - 0.25mm	0
7	:02/630049	Kit-bearing Big-end undersize - 0.50mm	0
8	:02/630050	Washer thrust	2
9	02/630051	Conrod	3
10	:N.S.P.	None serviced part	1
11	:N.S.P.	None serviced part	1
12	:02/630052	Bush small-end	1
13	:02/630053	Bolt	2
14	:02/630054	Nut	2
15	02/630055	Kit-piston & rings Standard	3
15	02/630056	Piston assembly oversize - 0.5mm	0
15	02/634123	Piston assembly oversize	0
16	:N.S.P.	None serviced part	1
17	:02/630060	Kit-piston ring standard	1
17	:02/630061	Kit-piston ring oversize - 0.5mm	1
17	:02/630062	Kit-piston ring oversize - 1.0mm	1
18	02/630059	Circlip	2
19	02/630058	Pin gudgeon	1



## 9802/5407 L1-5-1 FANS, PULLEYS & FAN BELT



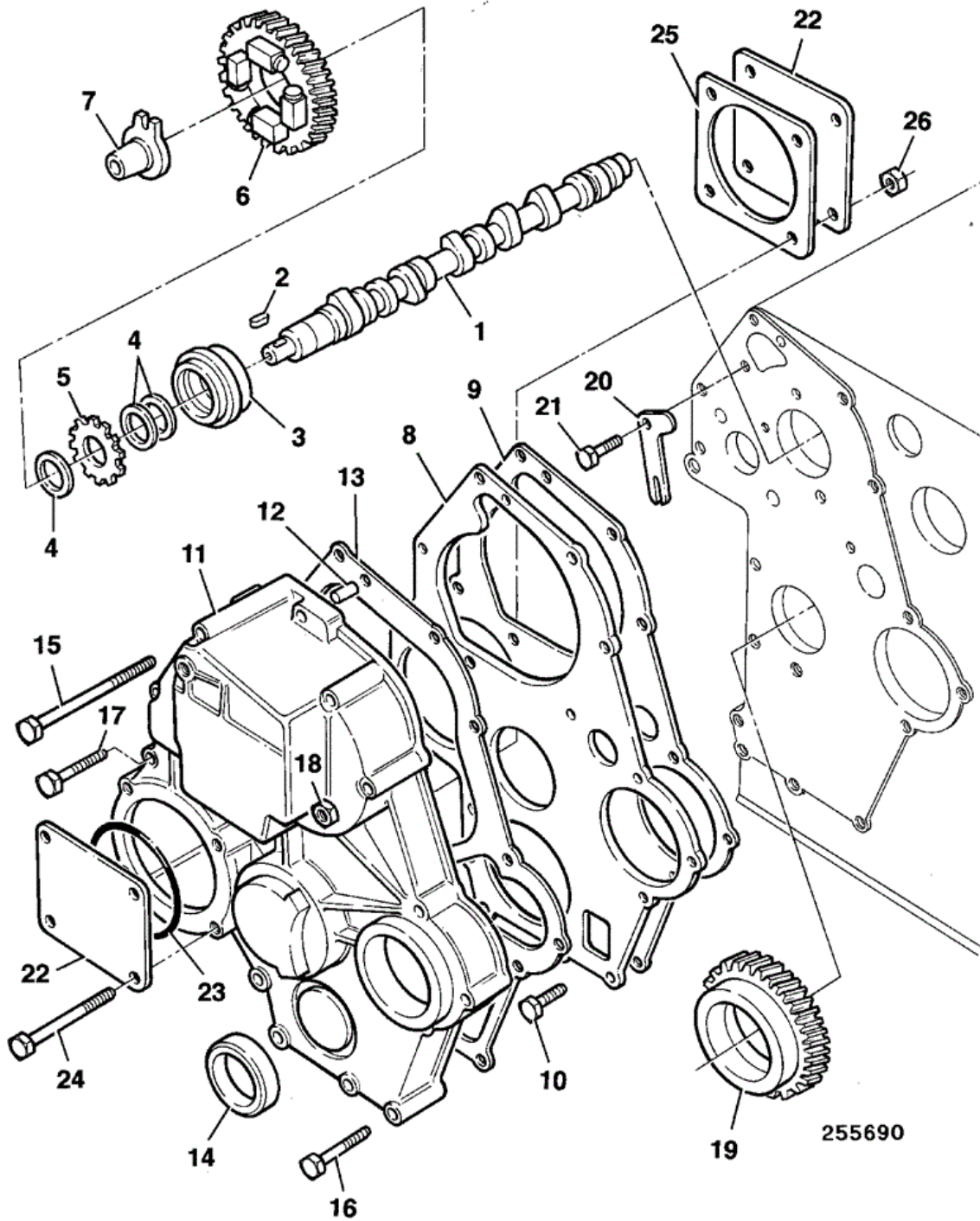
H15301

Item	Part #	Change No	Description	Usage Code	QTY
1	02/630066	Superseded	Pulley crankshaft		1
1	02/630468		Pulley crankshaft		1
2	02/630067		Nut		1

3	02/630068		Key	1
4	02/630070		Pulley water pump	1
5	02/630069		Spacer fan <i>Cable m/c's</i>	1
5	231/86501		Spacer fan <i>Servo m/c's</i>	1
6	02/634076		Screw <i>Cable m/c's</i>	4
6	1315/0205Z		Setscrew M6 x 20mm <i>M6 x 20</i>	4
7	02/630830		Fan	1
7A	02/634075		Plate	1
8	1425/0006Z		Washer Spring (M6) <i>Servo m/c's</i>	4
9	02/631260		Belt fan	1



## 9802/5407 L1-6-1 TIMING CASE, CAMSHAFT & GEARS



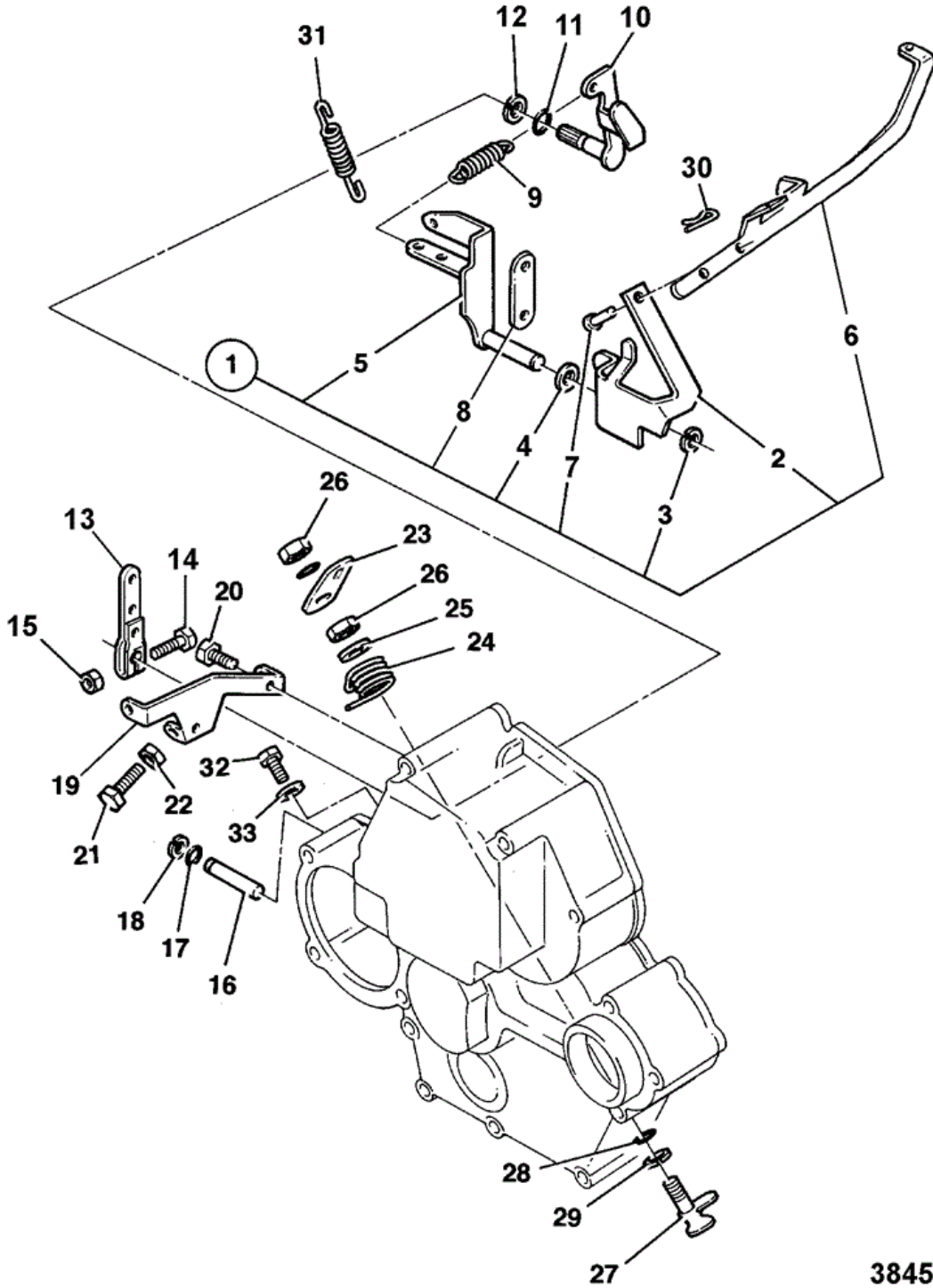
Item	Part #	Change No	Description	Usage Code	QTY
1	02/630080		Camshaft		1
2	:02/630068		Key		1
3	:02/630081		Bearing		1

4	:02/630082	Spacer	3
5	:02/630083	Gear	1
6	:02/630084	Gear	1
7	:02/630085	Tappet	1
8	02/630086	Plate	1
9	02/630087	Gasket	1
10	02/630102	Screw	3
11	02/630367	Casing timing	1
12	02/630089	Pin	1
13	02/630091	Gasket	1
14	02/630092	Seal front oil	1
15	826/10740	Bolt	2
16	826/10777	Screw	5
17	826/10729	Screw	4
18	02/630096	Nut	1
19	****	'See Remark' <i>Oil pump gear, See frame L5-2-1</i>	1
20	02/630101	Plate	1
21	02/630102	Screw	1
21	02/630103	Screw	1
22	02/630097	Plate	2
23	02/630079	O Ring	1
24	****	T.B.A <i>010300865, 826/10781</i>	1
24	****	T.B.A <i>826/10783</i>	3
25	02/630098	Gasket	1
26	02/630078	Nut	4





## 9802/5407 L1-6-2 TIMING LEVERS, ARMS & SPRINGS



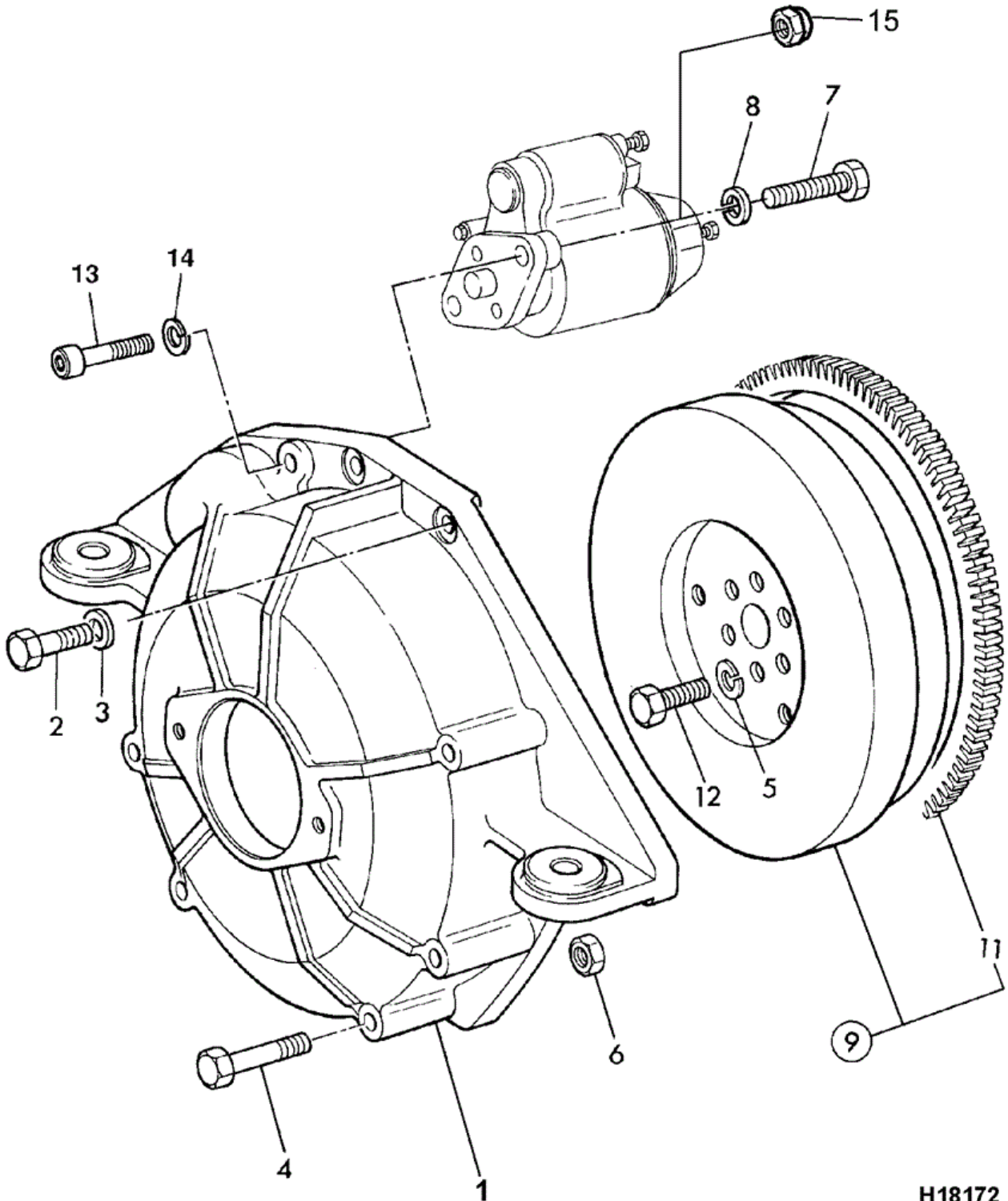
384500

Item	Part #	Change No	Description	Usage Code	QTY
1	02/630106		Lever		1
2	:N.S.P.		None serviced part		1
3	:02/630107		Circlip		1

4	:02/630108		Washer	1
5	:02/630109		Lever	1
6	:N.S.P.		None serviced part	1
7	:N.S.P.		None serviced part	1
8	****		None serviced part	1
9	02/630138		Spring	1
10	02/630113		Arm	1
11	02/630114		O Ring	1
12	02/630107		Circlip	1
13	02/630783		Lever	1
14	02/630116		Screw	1
15	02/630096		Nut	1
16	02/630368		Shaft	1
17	02/630119		O Ring	2
18	02/630120		Circlip	1
19	02/630121		Stay	1
20	02/630122		Screw	2
21	02/630131		Screw	2
22	02/630096		Nut	2
23	02/630124		Lever	1
24	02/630369		Spring	1
25	02/630126		Washer	1
26	02/634053		Nut	1
27	02/630128		Arm	1
28	02/630129		O Ring	1
29	02/630130		Circlip	1
30	02/630111		Pin	1
31	02/630112		Spring	1



## 9802/5407 L1-7-1 FLYWHEEL & HOUSING



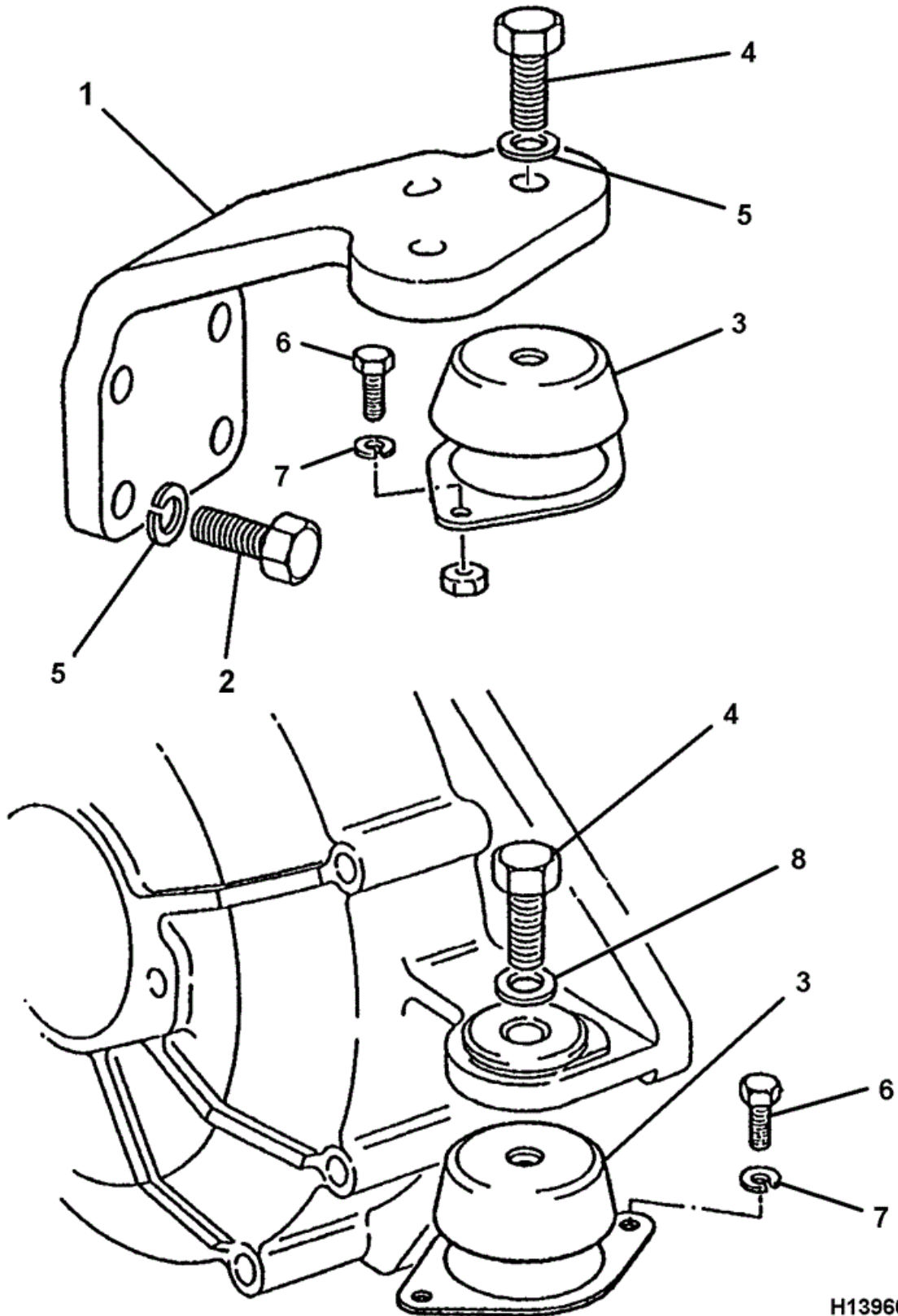
H18172

Item	Part #	Change No	Description	Usage Code	QTY
1	231/82502		Housing flywheel		1
2	1315/0309Z		Setscrew M8 x 35		2

3	1425/0007Z		Washer Washer	2
4	1315/3319Z		Bolt M8 x 90 mm	5
5	1425/0008Z		Spring Washer	6
6	1370/0203Z		Nut Nut M8	5
7	02/630132		Screw <i>Use with 02/631150</i>	2
8	02/630134		Washer spring <i>Use with 02/631150</i>	2
9	02/630135		Flywheel assembly	1
11	:02/630136		Ring starter	1
12	02/630137		Screw	6
13	1391/3415Z		Capscrew <i>Use with 714/36700</i>	2
14	02/630108		Washer <i>Use with 714/36700</i>	2
15	1370/0303Z		Nut lock M10 <i>Use with 714/36700</i>	2
16	02/630134		Washer spring <i>Use w/ 714/36700</i>	2



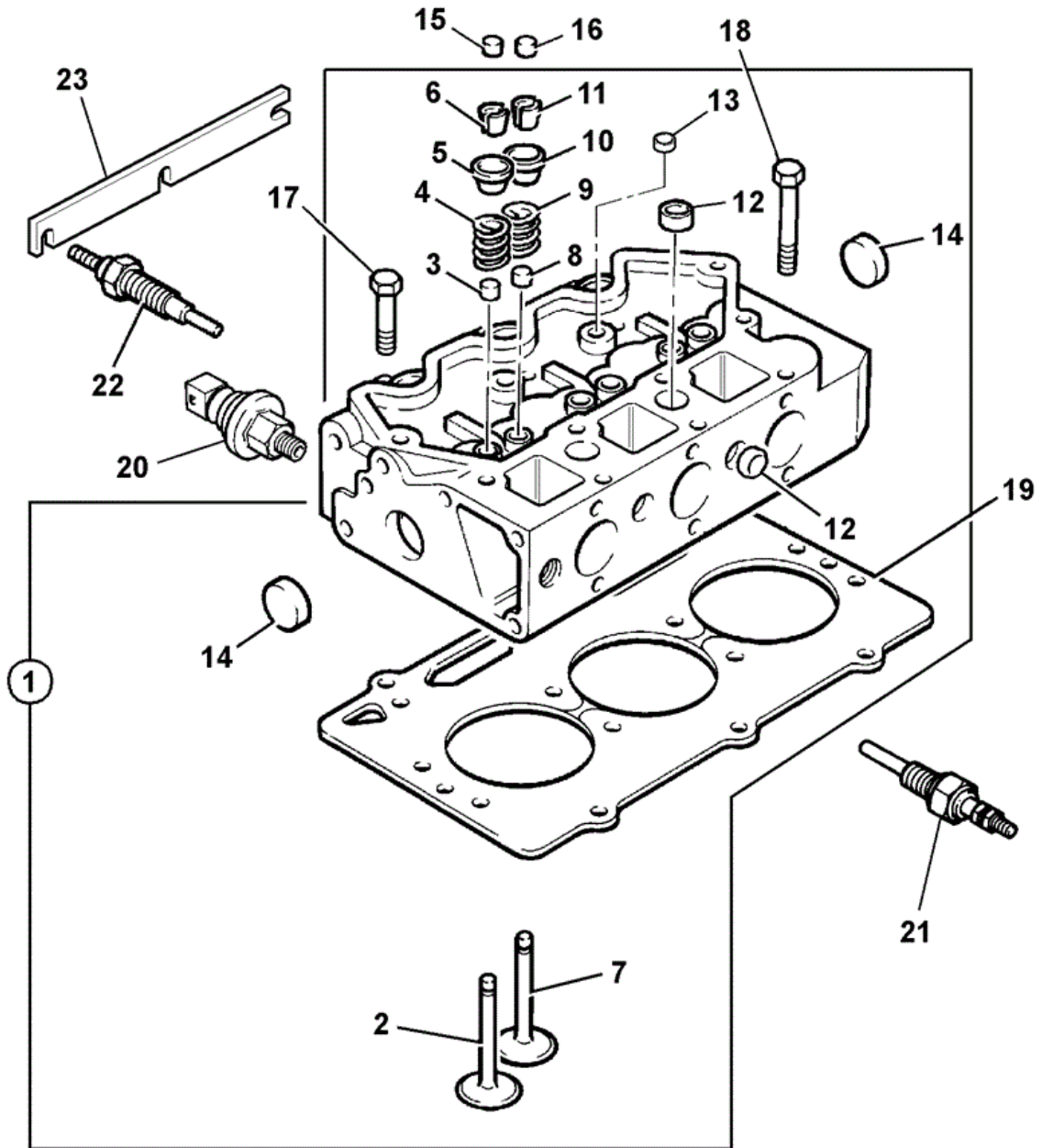
## 9802/5407 L1-8-1 ENGINE MOUNTINGS



<b>Item</b>	<b>Part #</b>	<b>Change No</b>	<b>Description</b>	<b>Usage Code</b>	<b>QTY</b>
1	231/40002		Bracket mounting		2
2	826/00998		Screw set		8
3	231/40004		Mounting metalastik		4
4	1315/0509Z		Setscrew M12 x 35mm		4
5	1425/0009Z		Washer Spring M12		10
6	1315/0305Z		Setscrew M8 x 20		8
7	823/00415Z		Washer spring		8
8	1420/0008Z		Washer (M10)		2



## 9802/5407 L2-1-1 CYLINDER HEAD



389260

Item	Part #	Change No	Description	Usage Code	QTY
1	02/630375		Head cylinder assembly		1
2	:02/630141		Valve inlet		3
3	:02/630142		Seal inlet valve		3

Thank you so much for reading.  
Please click the “Buy Now!”  
button below to download the  
complete manual.



After you pay.

You can download the most  
perfect and complete manual in  
the world immediately.

Our support email:

[ebooklibonline@outlook.com](mailto:ebooklibonline@outlook.com)